



US00D563850S

(12) **United States Design Patent** (10) **Patent No.:** **US D563,850 S**
Rosen et al. (45) **Date of Patent:** **** Mar. 11, 2008**

(54) **TRUCK HOOD**

(75) Inventors: **David B. Rosen**, Flower Mound, TX (US); **Troy R. McCuller**, Corinth, TX (US); **Louis D. Heilaneh**, Lewisville, TX (US); **Bryan W. Delashaw**, Frisco, TX (US)

(73) Assignee: **PACCAR Inc.**, Bellevue, WA (US)

(**) Term: **14 Years**

(21) Appl. No.: **29/278,172**

(22) Filed: **Mar. 21, 2007**

(51) **LOC (8) Cl.** **12-16**

(52) **U.S. Cl.** **D12/173**

(58) **Field of Classification Search** D12/173,
D12/96, 90-92; 180/69.2, 69.21, 69.22,
180/69.25

See application file for complete search history.

(56) **References Cited**

U.S. PATENT DOCUMENTS

D291,872 S	9/1987	Simons
D291,982 S	9/1987	Simons
D307,731 S	5/1990	Kerney
D308,032 S	5/1990	Kerney
D311,711 S	10/1990	Marlowe
D312,805 S	12/1990	Marlowe
D313,784 S	1/1991	Marlow
D313,966 S	1/1991	Marlowe
D320,583 S	10/1991	Simons
D327,276 S	6/1992	Sorensen
D329,214 S	9/1992	Marlowe
D361,968 S	9/1995	Oyama
D366,638 S	1/1996	Tucker
D366,640 S	1/1996	Tucker
D382,841 S	8/1997	Norwood
D382,844 S	8/1997	Norwood

D384,019 S	9/1997	Meryman
D389,108 S	1/1998	Norwood
D395,860 S	7/1998	Meryman
D400,835 S	11/1998	Le Quement
D401,198 S	11/1998	Mueller

(Continued)

OTHER PUBLICATIONS

Kenworth Truck Company W900 brochure, Kirkland, Wash., 2005.

(Continued)

Primary Examiner—Melody N. Brown

(74) *Attorney, Agent, or Firm*—Christensen O'Connor Johnson Kindness PLLC

(57) **CLAIM**

The ornamental design for a truck hood, as shown and described.

DESCRIPTION

FIG. 1 is a front perspective view of a truck hood showing our new design;

FIG. 2 is a top plan view of the truck hood of FIG. 1;

FIG. 3 is a bottom plan view of the truck hood of FIG. 1; FIG. 4 is a front elevational view of the truck hood of FIG. 1;

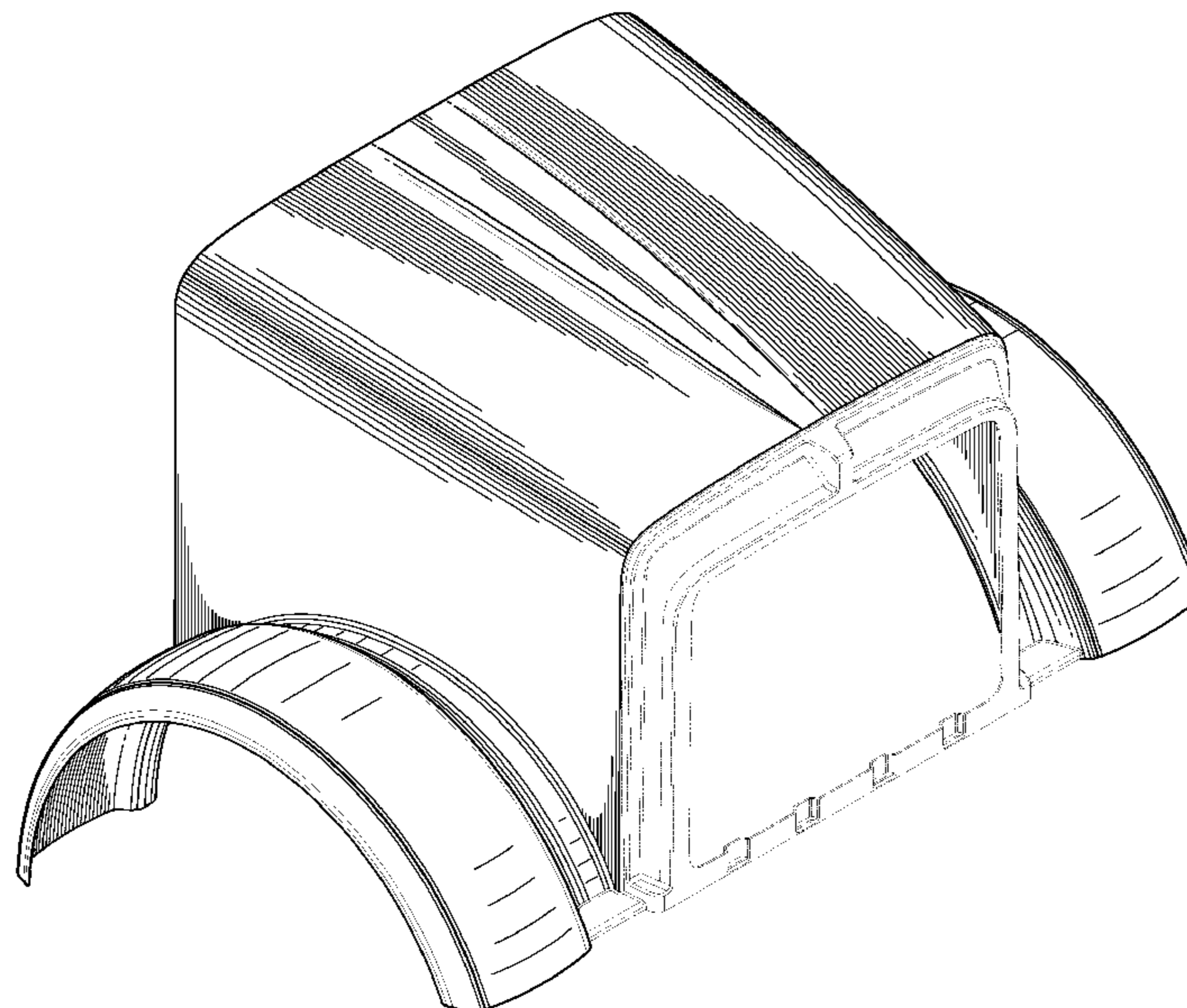
FIG. 5 is a rear elevational view of the truck hood of FIG. 1;

FIG. 6 is a left side elevational view of the truck hood of FIG. 1; and,

FIG. 7 is a right side elevational view of the truck hood of FIG. 1.

The broken lines in the drawings form no part of the claimed design.

1 Claim, 5 Drawing Sheets



US D563,850 S

Page 2

U.S. PATENT DOCUMENTS

D403,636 S 1/1999 Meryman
D405,037 S 2/1999 Meryman
D411,140 S 6/1999 Meryman
D411,494 S 6/1999 Meryman
D412,689 S 8/1999 Onopa
D412,874 S 8/1999 Meryman
D422,251 S 4/2000 Bader
D423,990 S 5/2000 Meryman
D424,489 S 5/2000 Damon
D424,993 S 5/2000 Farzam
D425,450 S 5/2000 Barraclough
D425,835 S 5/2000 Cook
D431,806 S 10/2000 Damon
D433,980 S 11/2000 Conway
D433,981 S 11/2000 Davis
D434,347 S 11/2000 Damon
D434,358 S 11/2000 Conway
D435,816 S 1/2001 Delashaw
D436,563 S 1/2001 Delashaw
D436,894 S 1/2001 Barraclough
D437,258 S 2/2001 Meryman
D437,570 S 2/2001 Meryman
D443,853 S 6/2001 Barraclough
D446,175 S 8/2001 Hoyle, Jr.
D450,277 S 11/2001 Onopa
D452,464 S 12/2001 Beigel
D455,381 S 4/2002 Maher
D460,023 S 7/2002 Beigel
D465,749 S 11/2002 Beigel
D466,450 S 12/2002 Maher
D475,657 S 6/2003 Wong
D478,300 S 8/2003 Chiang
D482,993 S 12/2003 Conway
D484,077 S 12/2003 Conway
D486,102 S 2/2004 Perfetti
D488,112 S 4/2004 Satou
D490,749 S 6/2004 Satou

D492,801 S 7/2004 Metros
D492,921 S 7/2004 Perfetti
D494,900 S 8/2004 Satou
D497,581 S 10/2004 Conway
D502,897 S 3/2005 Delashaw
D502,901 S 3/2005 Delashaw
D502,904 S 3/2005 Delashaw
D504,642 S 5/2005 Perfetti
D511,727 S 11/2005 Shaw
D512,666 S 12/2005 Chiang
D514,483 S 2/2006 Chiang
D515,474 S 2/2006 Wu
D518,761 S 4/2006 Chiang
D522,426 S 6/2006 Beigel
D522,945 S 6/2006 Beigel
D540,725 S * 4/2007 Gunter et al. D12/173
D545,251 S * 6/2007 Angelo et al. D12/173
D545,735 S * 7/2007 Angelo et al. D12/173

OTHER PUBLICATIONS

Kenworth Truck Company W900 brochure, Kirkland, Wash., 2002.
Kenworth Truck Company W900 brochure, Kirkland, Wash., 1996.
Kenworth Truck Company T2000 brochure, Kirkland, Wash., 2005.
Kenworth Truck Company T2000 brochure, Kirkland, Wash., 2002.
Kenworth Truck Company T800 brochure, Kirkland, Wash., 2005.
Kenworth Truck Company T800 brochure, Kirkland, Wash., 2003.
Kenworth Truck Company T800 brochure, Kirkland, Wash., 2002.
Kenworth Truck Company T600 brochure, Kirkland, Wash., 2005.
Kenworth Truck Company T600 brochure, Kirkland, Wash., 2002.
Kenworth Truck Company T600 brochure, Kirkland, Wash., 1996.
Kenworth Truck Company T300 brochure, Kirkland, Wash., 2005.
Kenworth Truck Company T300 brochure, Kirkland, Wash., 2001.
Peterbilt Motors Company, Models brochure, Denton, Texas, 1997.
Peterbilt Motors Company, 357 brochure, Denton, Texas, 1999.
Peterbilt Motors Company, Construction Trucks brochure, Denton, Texas, 2003.
Peterbilt Motors Company, Models brochure, Denton, Texas, 2005.

* cited by examiner

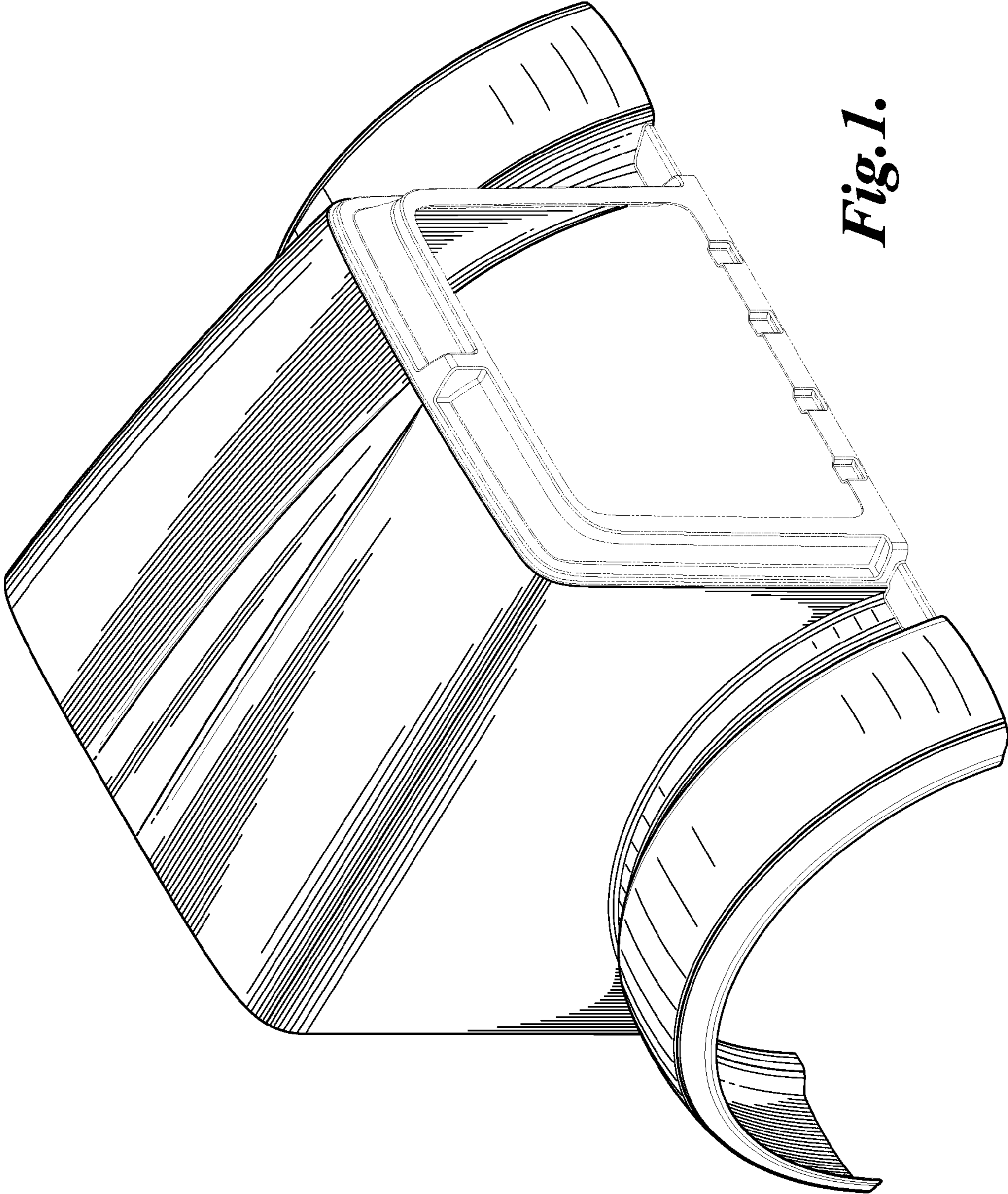


Fig. 1.

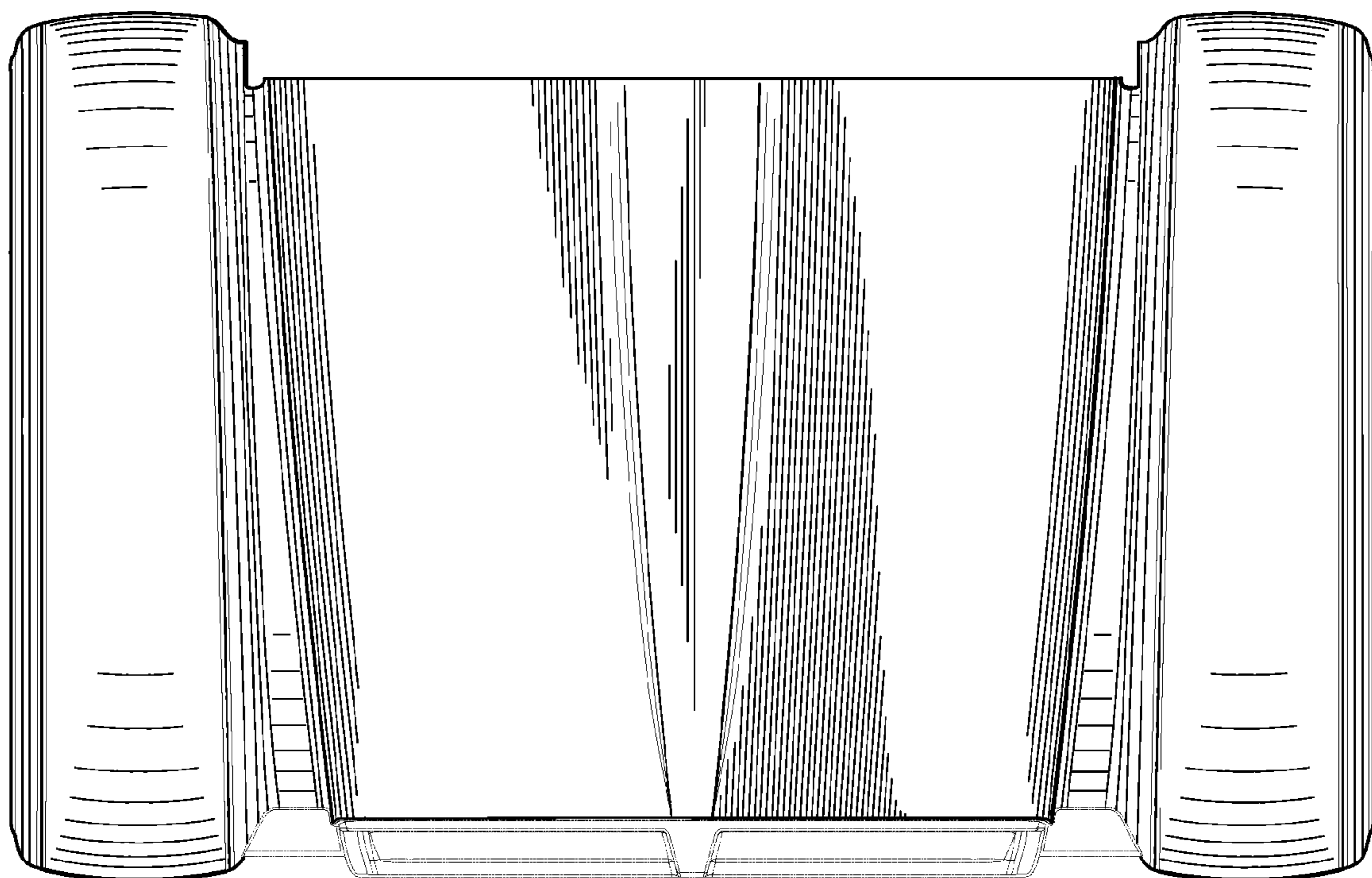


Fig. 2.

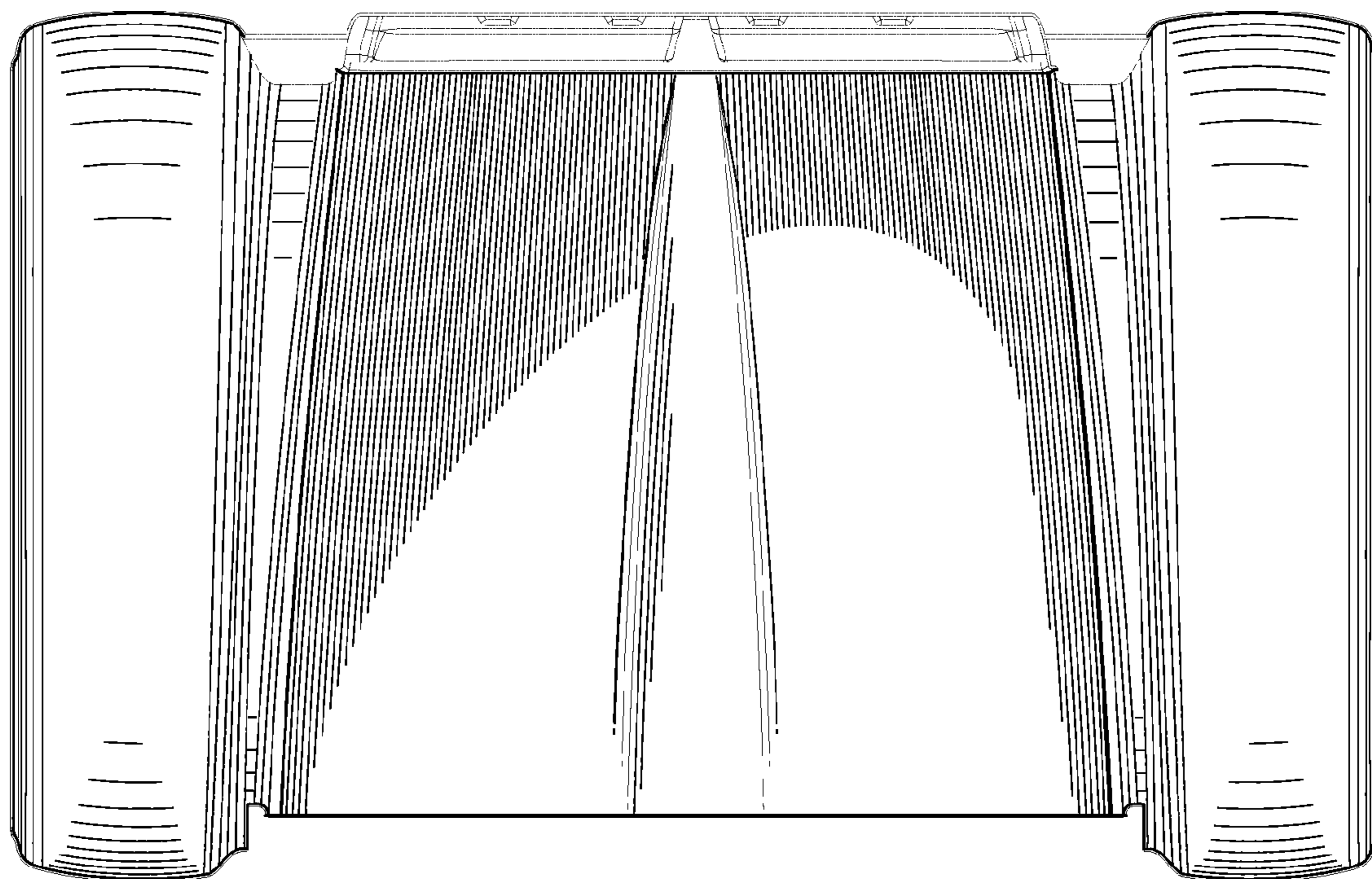


Fig.3.

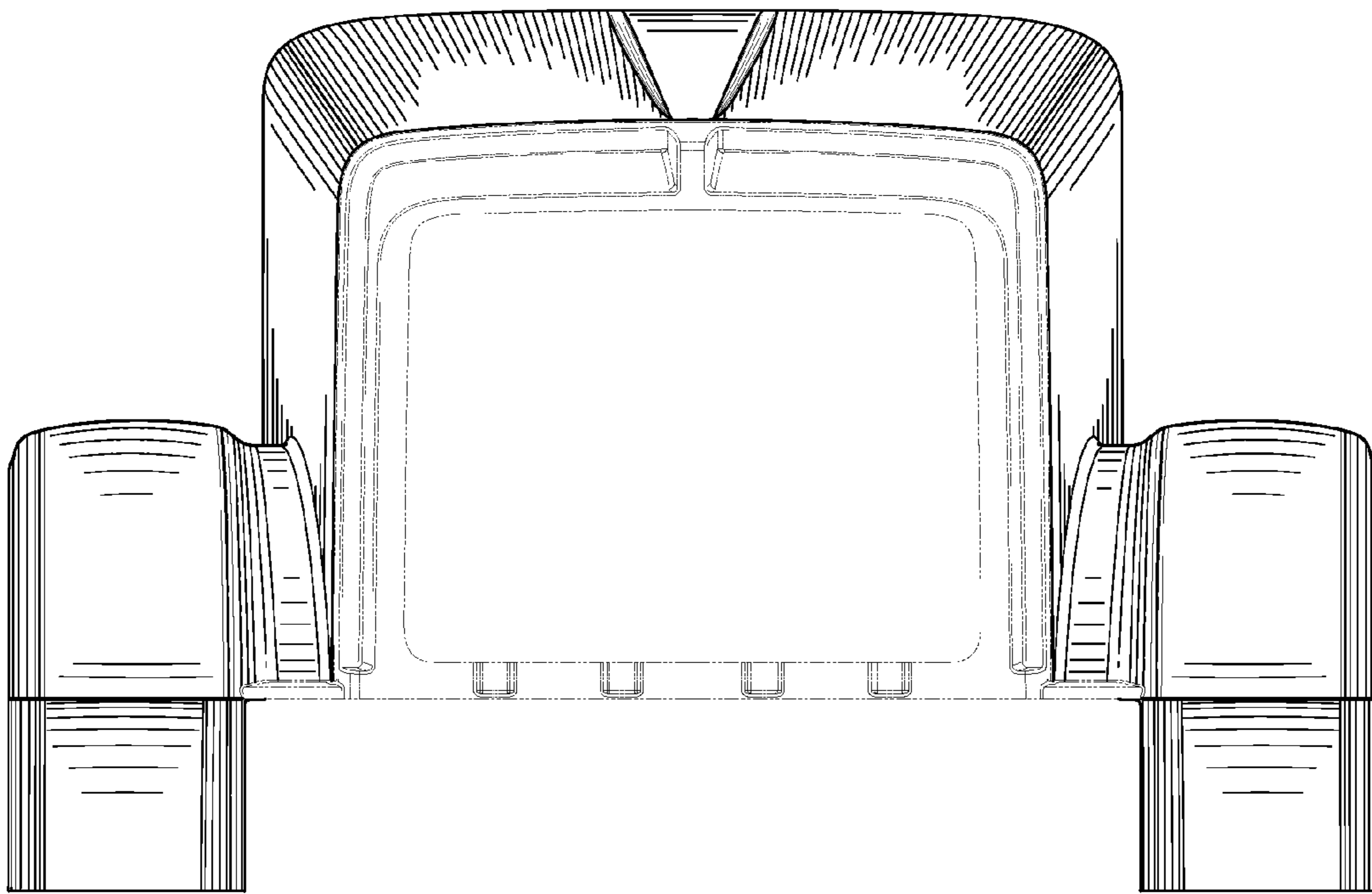


Fig. 4.

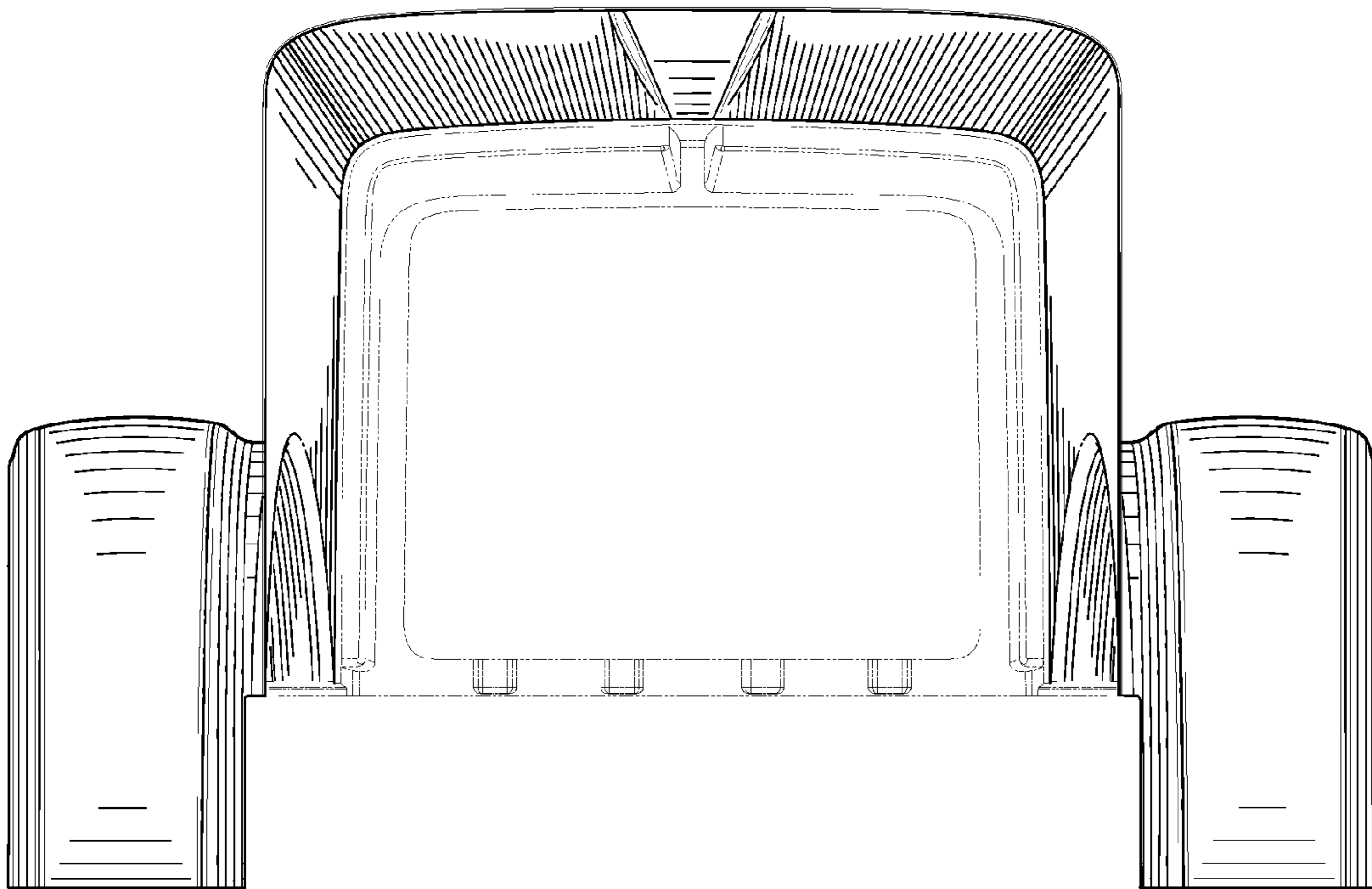


Fig. 5.

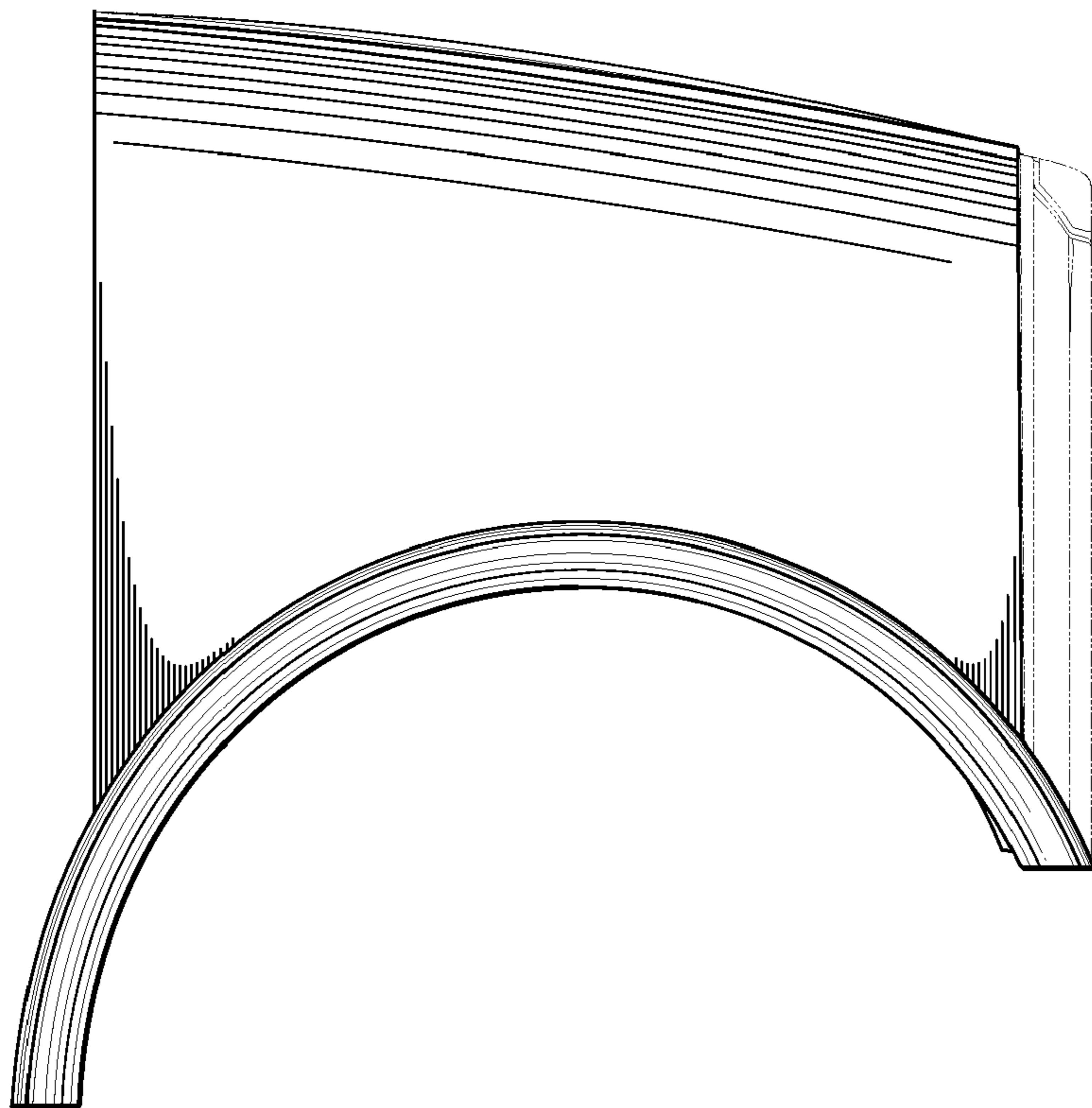


Fig. 6.

Fig. 7.

