



US00D563847S

(12) **United States Design Patent** (10) **Patent No.:** **US D563,847 S**
Sowa et al. (45) **Date of Patent:** **** Mar. 11, 2008**

(54) **FRONT BUMPER FOR AN AUTOMOBILE**

[http://www.lincoln.com/navigator/photogallery/ exterior.asp](http://www.lincoln.com/navigator/photogallery/exterior.asp), as early as Mar. 2006.

(75) Inventors: **Takeo Sowa**, Aichi-ken (JP); **Minoru Ogawa**, Aichi-ken (JP); **Kazumi Kowaki**, Nisshin (JP)

* cited by examiner

(73) Assignee: **Toyota Jidosha Kabushiki Kaisha** (JP)

Primary Examiner—Melody N. Brown

(**) Term: **14 Years**

(74) *Attorney, Agent, or Firm*—SAIDMAN DesignLaw Group

(21) Appl. No.: **29/285,121**

(22) Filed: **Mar. 21, 2007**

(57) **CLAIM**

(51) **LOC (8) Cl.** **12-16**

The ornamental design for a front bumper for an automobile, as shown and described.

(52) **U.S. Cl.** **D12/169**

(58) **Field of Classification Search** D12/90–92,
D12/86, 169, 196, 163; 296/193.1, 181.1;
293/102, 113, 115, 117, 120

DESCRIPTION

See application file for complete search history.

(56) **References Cited**

FIG. 1 is a front perspective view of a front bumper for an automobile showing our new design;

U.S. PATENT DOCUMENTS

FIG. 2 is a front elevational view thereof;

- D517,457 S * 3/2006 Horiuchi et al. D12/169
- D522,938 S * 6/2006 Iwanaga D12/169
- D525,922 S * 8/2006 Taguchi et al. D12/169
- D537,020 S * 2/2007 Nakamura et al. D12/169
- D541,715 S * 5/2007 Ishizuka D12/169
- D548,146 S * 8/2007 Schiavone et al. D12/169

FIG. 3 is a rear elevational view thereof;

FIG. 4 is a top plan view thereof;

FIG. 5 is a bottom plan view thereof;

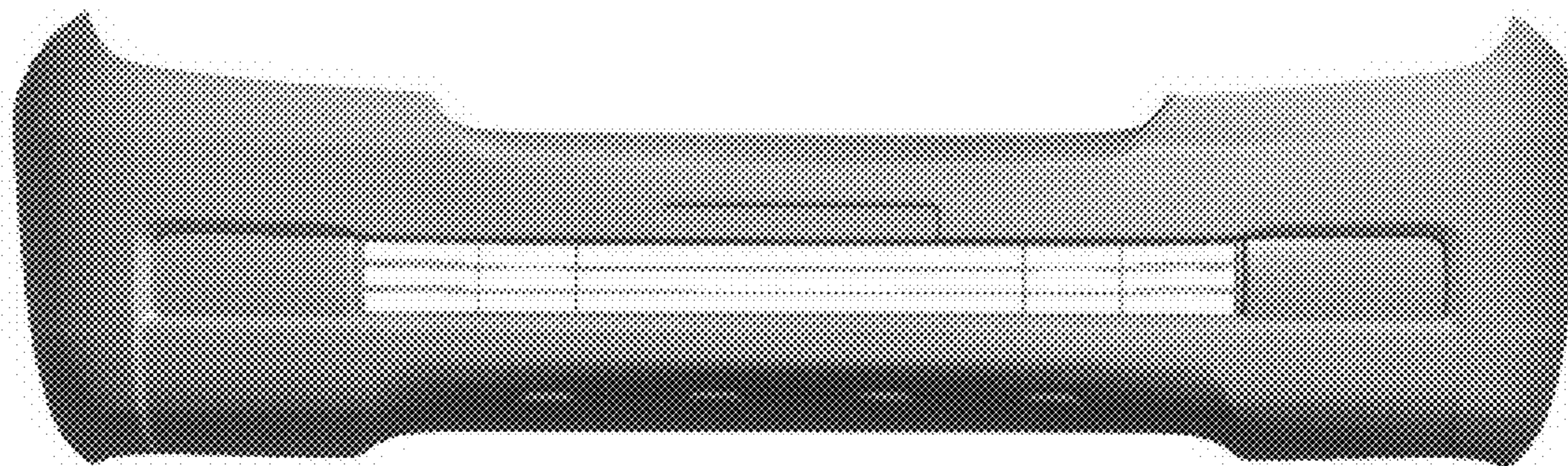
FIG. 6 is a right side elevational view thereof; and,

FIG. 7 is a left side elevational view thereof.

OTHER PUBLICATIONS

Toyota, Land Cruiser 100, Brochure for Toyota Land Cruiser 100, 2004, Toyota Jidosha Kabushiki Kaisha.

1 Claim, 2 Drawing Sheets



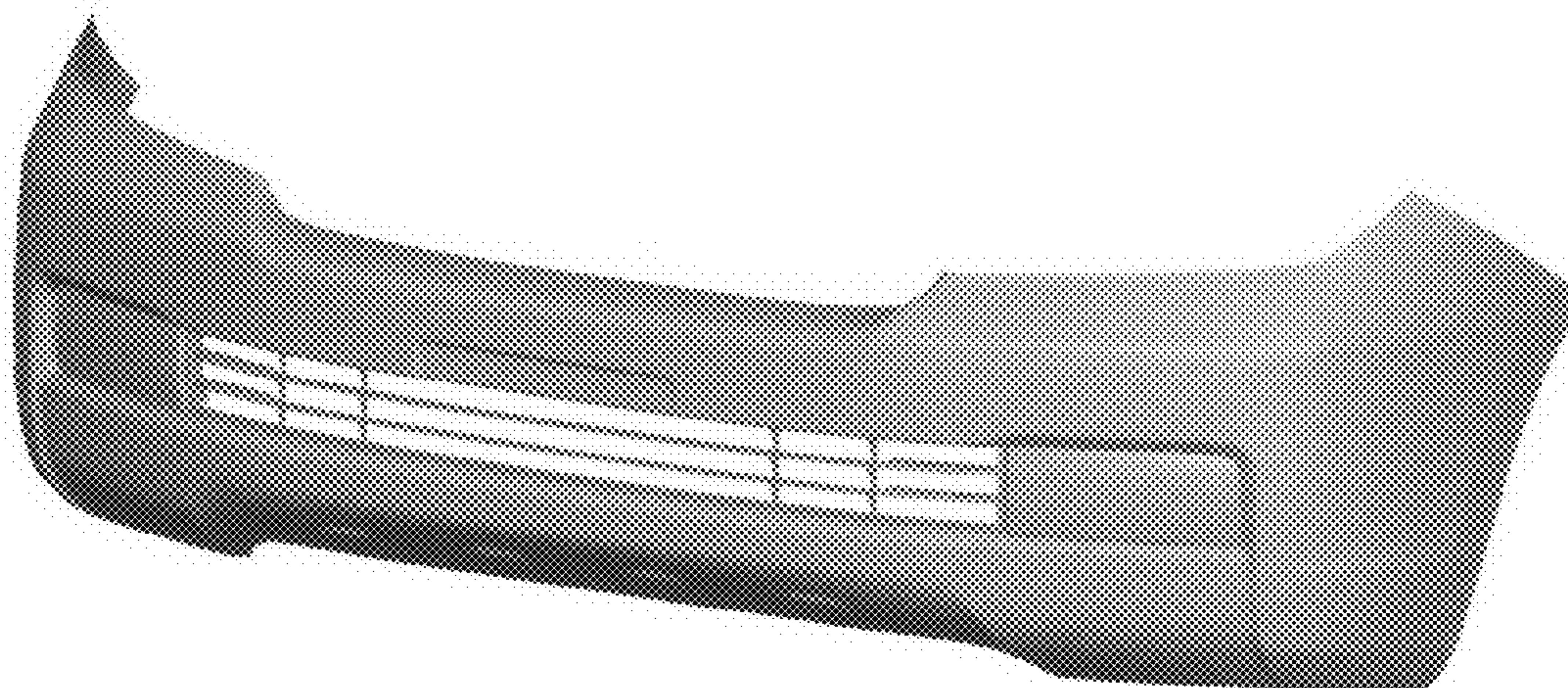


FIG. 1

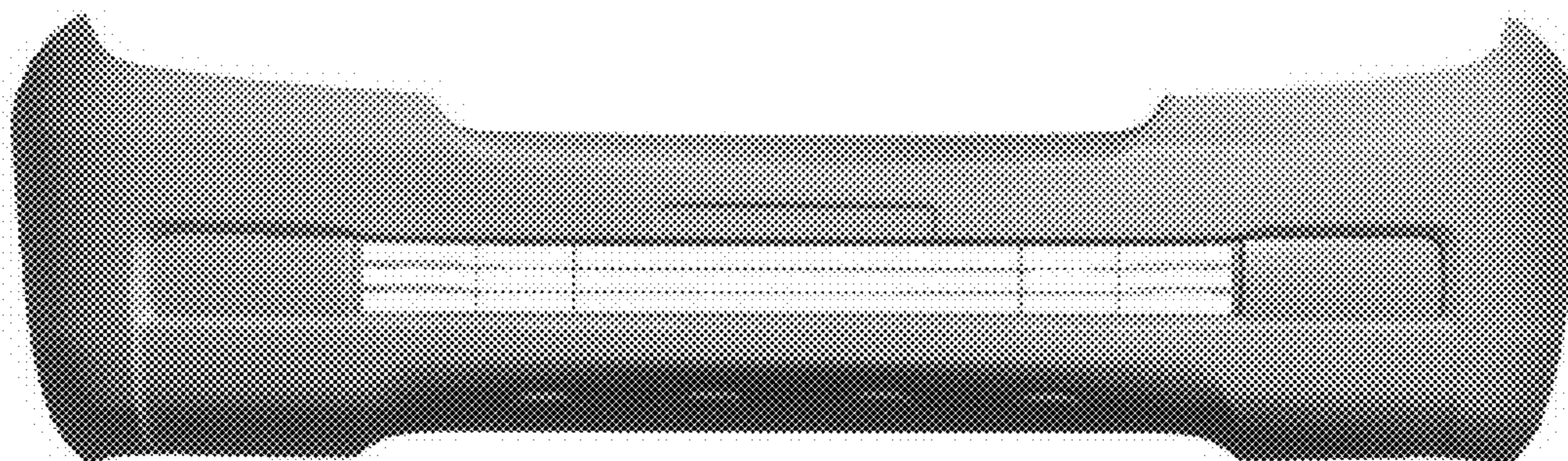


FIG. 2

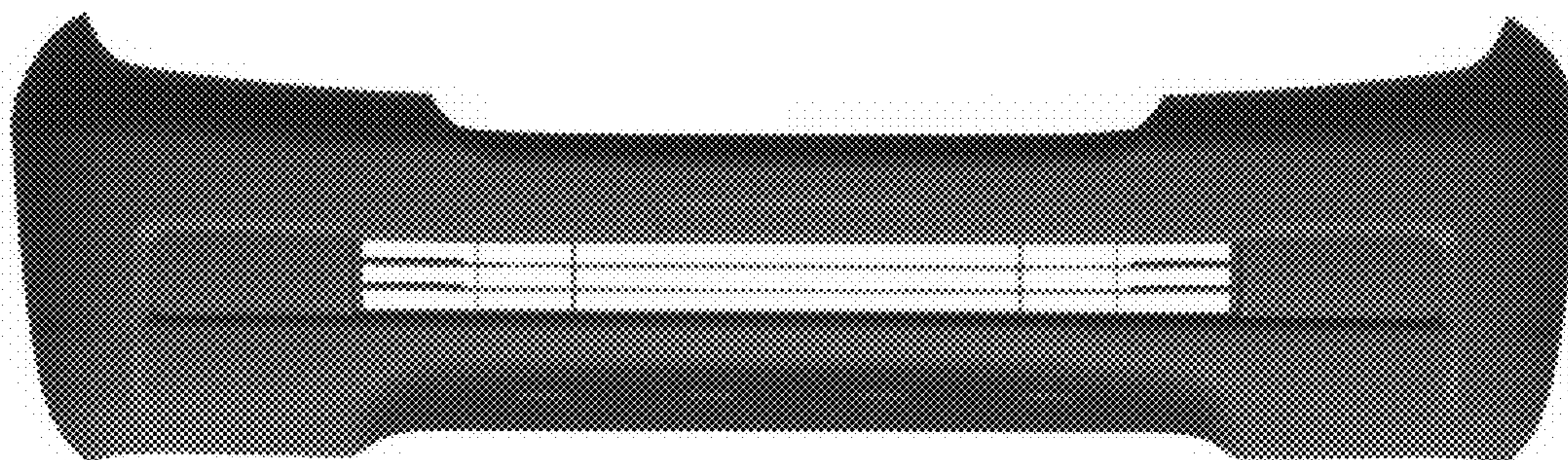


FIG. 3

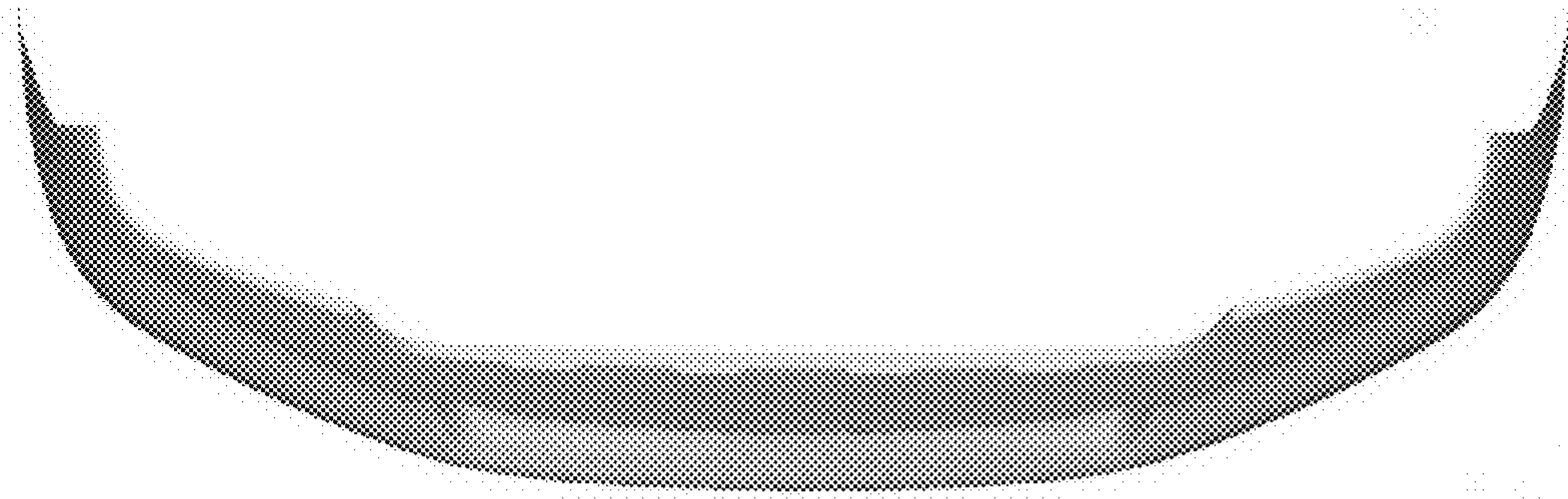


FIG. 4

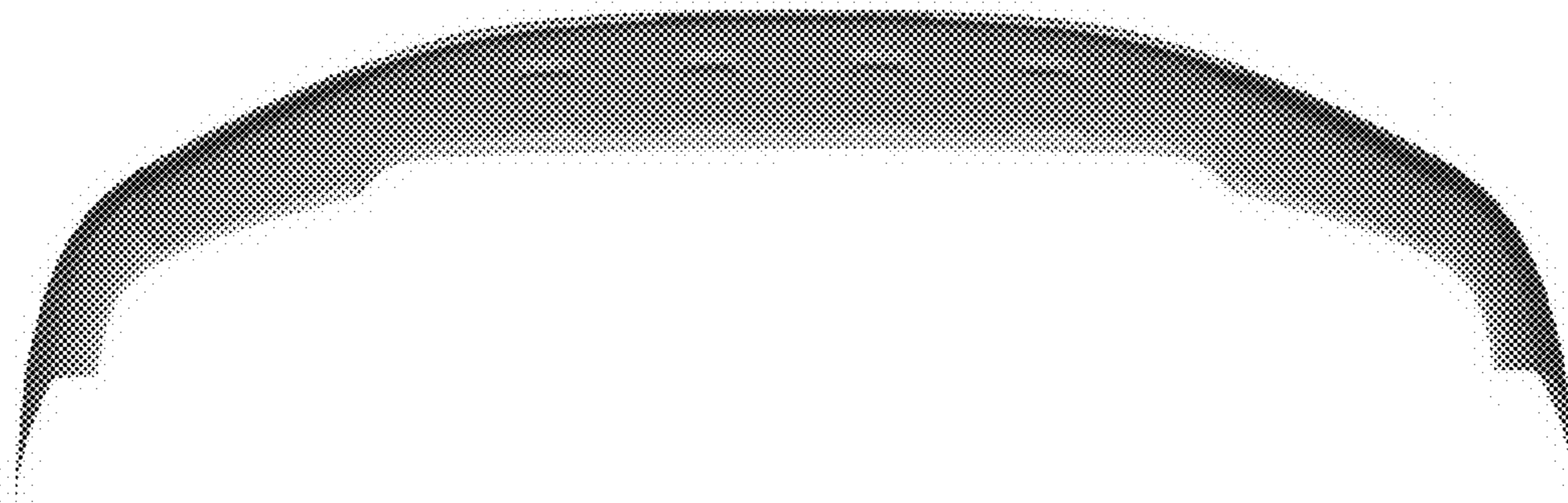


FIG. 5

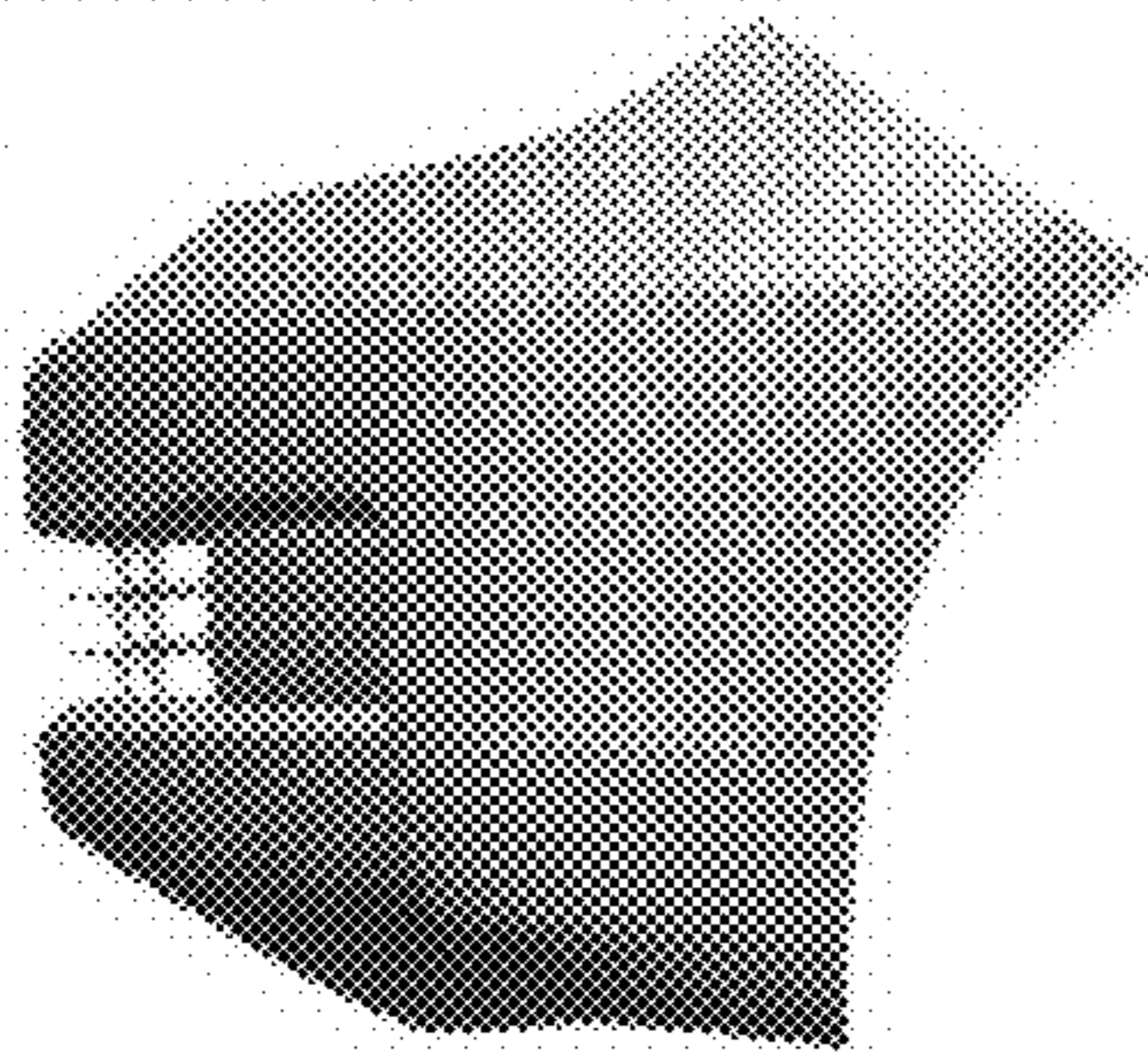


FIG. 6

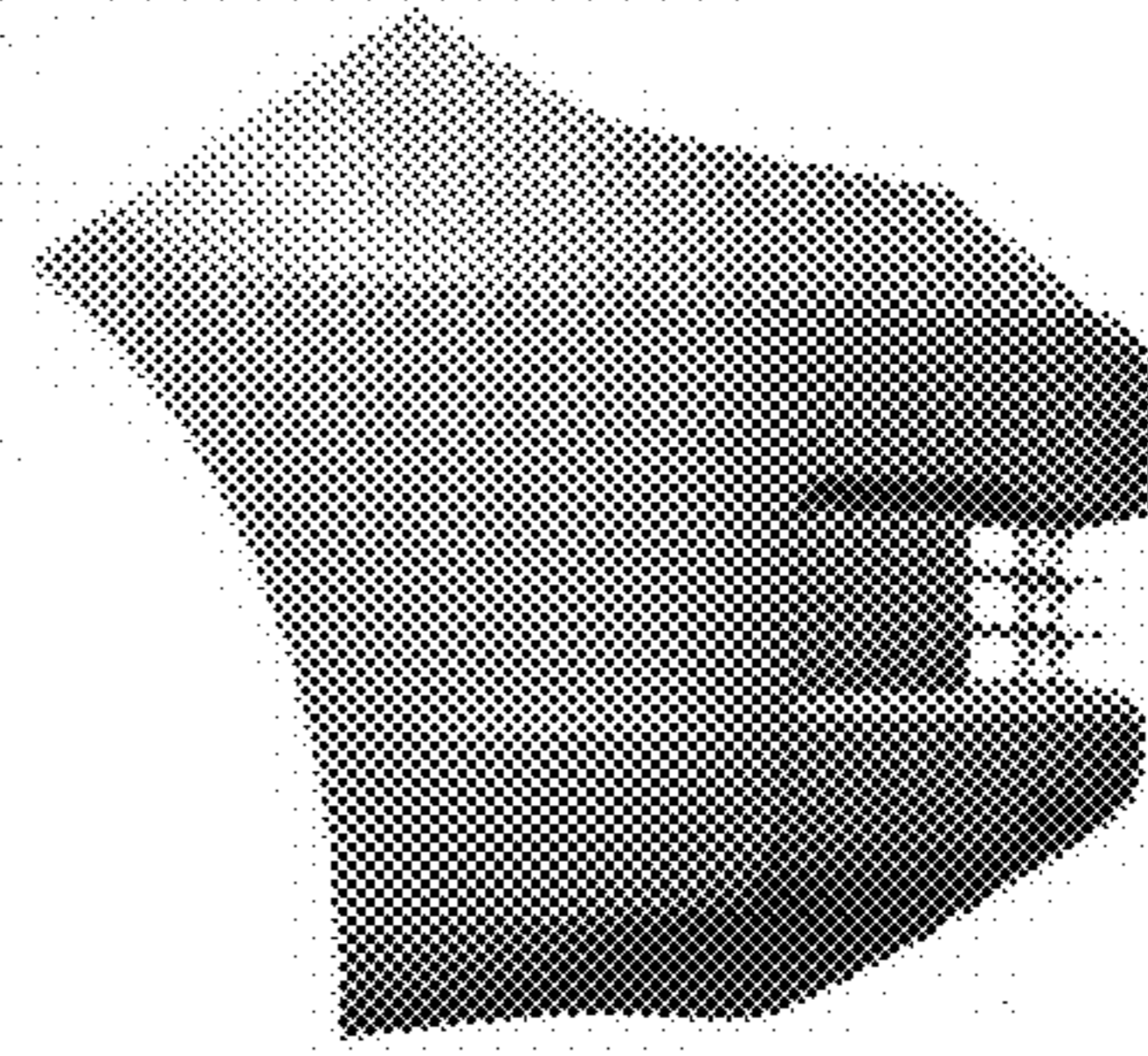


FIG. 7