

US00D563846S

(12) **United States Design Patent**
Suga et al.

(10) **Patent No.:** **US D563,846 S**
(45) **Date of Patent:** **** Mar. 11, 2008**

(54) **FRONT BUMPER FOR AN AUTOMOBILE**

D546,251 S * 7/2007 Hamano D12/169

(75) Inventors: **Koichi Suga**, Toyota (JP); **Hirofumi Hokao**, Toyota (JP); **Masaki Okue**, Toyota (JP)

(73) Assignee: **Toyota Jidosha Kabushiki Kaisha** (JP)

(**) Term: **14 Years**

(21) Appl. No.: **29/273,955**

(22) Filed: **Mar. 16, 2007**

(30) **Foreign Application Priority Data**

Sep. 27, 2006 (JP) 2006-025867

(51) **LOC (8) Cl.** **12-16**

(52) **U.S. Cl.** **D12/169**

(58) **Field of Classification Search** D12/90-92,
D12/86, 169, 196, 163; 296/193.1, 181.1;
293/102, 113, 115, 117, 120

See application file for complete search history.

(56) **References Cited**

U.S. PATENT DOCUMENTS

- D502,899 S * 3/2005 Mino et al. D12/169
- D517,458 S * 3/2006 Hiruta et al. D12/169
- D525,921 S * 8/2006 Fujiwara et al. D12/169
- D527,319 S * 8/2006 Yakushi D12/169
- D533,820 S * 12/2006 Sonoda et al. D12/169
- D539,710 S * 4/2007 Kouyama D12/169

OTHER PUBLICATIONS

Toyota, Allex, Brochure for ALLEX, Apr. 2004, Toyota Jidosha Kabushiki Kaisha.

Toyota, Avensis, Brochure of AVENSIS, May 2003, Toyota Jidosha Kabushiki Kaisha.

Opel, Astra, Brochure of ASTRA, Oct. 2004, General Motors-Asia Pacific (Japan) Ltd.

* cited by examiner

Primary Examiner—Melody N. Brown

(74) *Attorney, Agent, or Firm*—SAIDMAN DesignLaw Group

(57) **CLAIM**

The ornamental design for a front bumper for an automobile, as shown and described.

DESCRIPTION

FIG. 1 is a front perspective view of a front bumper for an automobile showing our new design;

FIG. 2 is front view thereof;

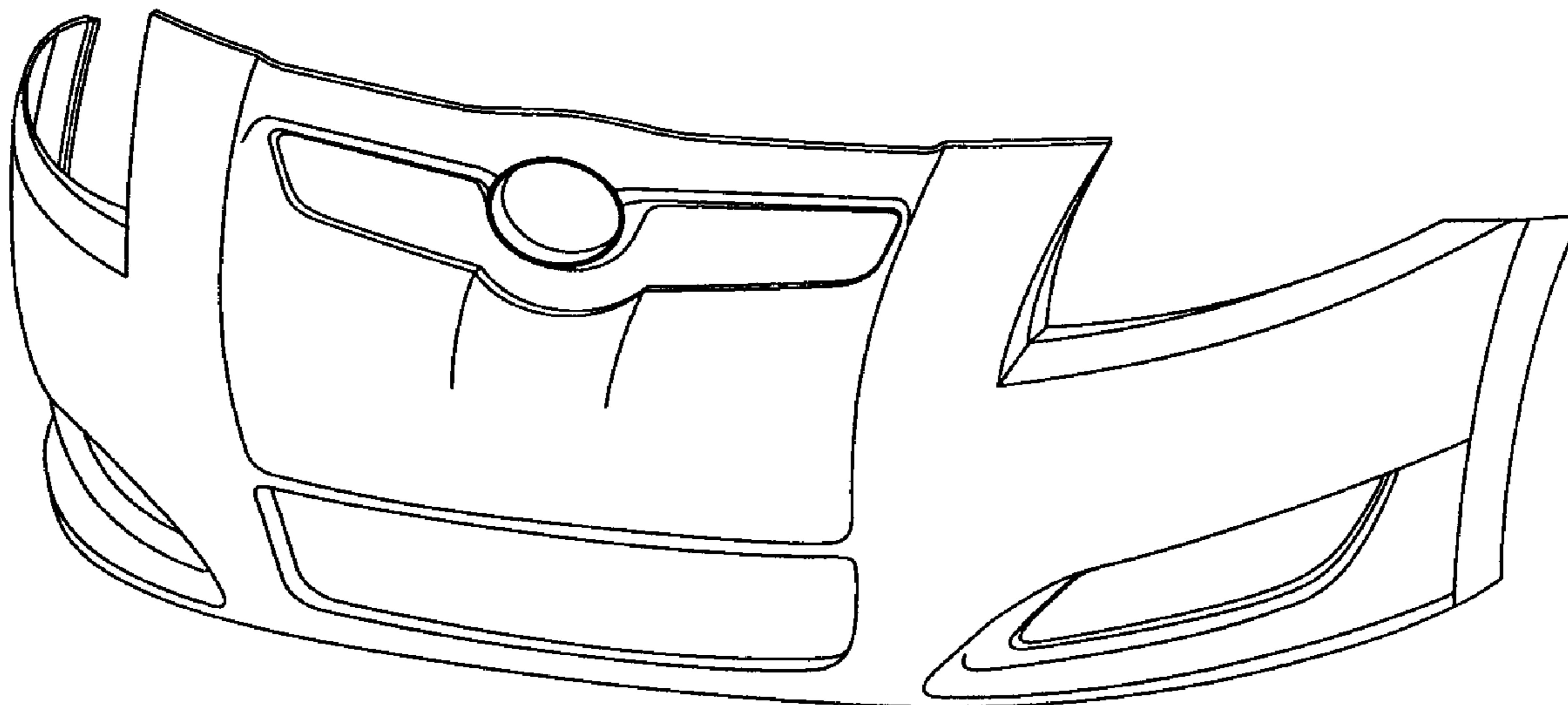
FIG. 3 is a rear view thereof;

FIG. 4 is a right-side view thereof;

FIG. 5 is a top view thereof; and,

FIG. 6 is a bottom view thereof.

1 Claim, 4 Drawing Sheets



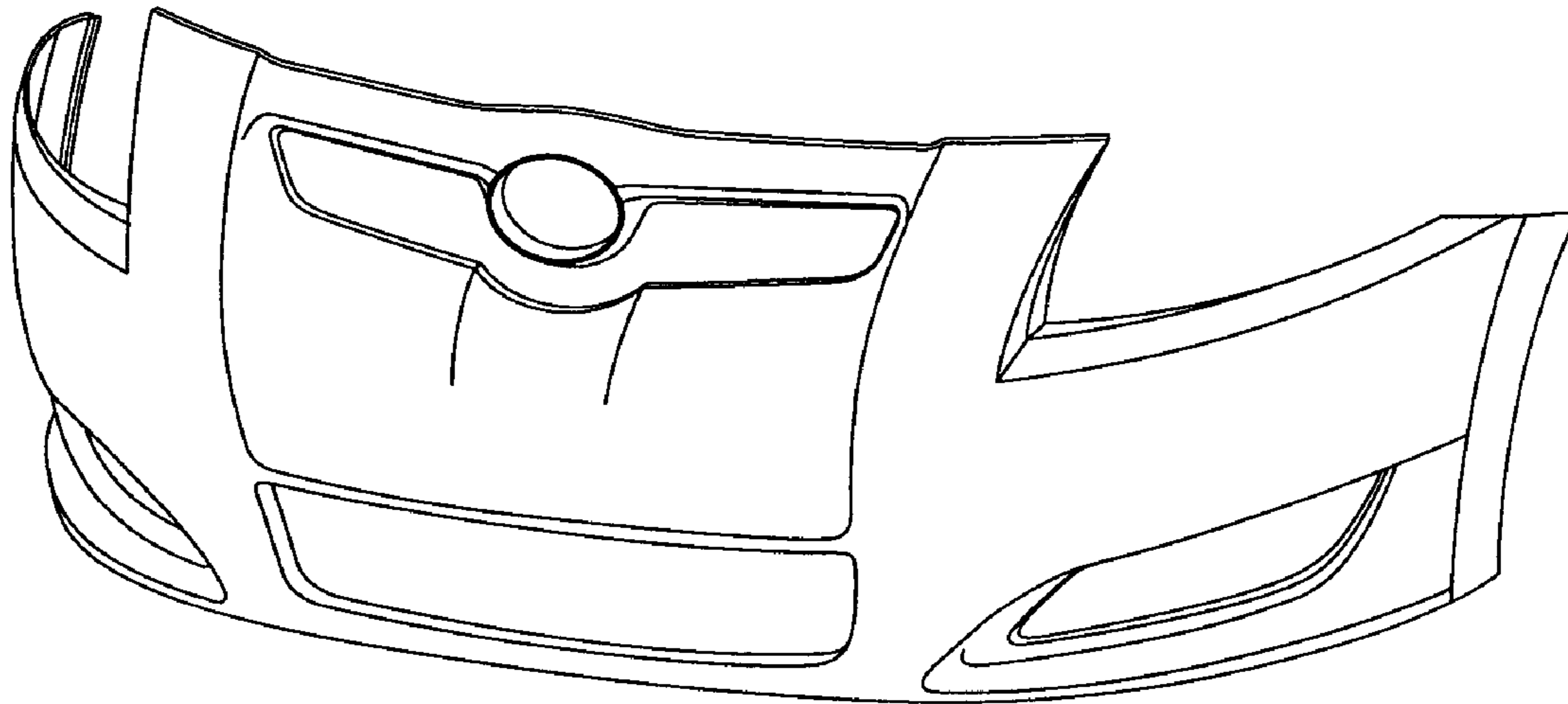


FIG. 1

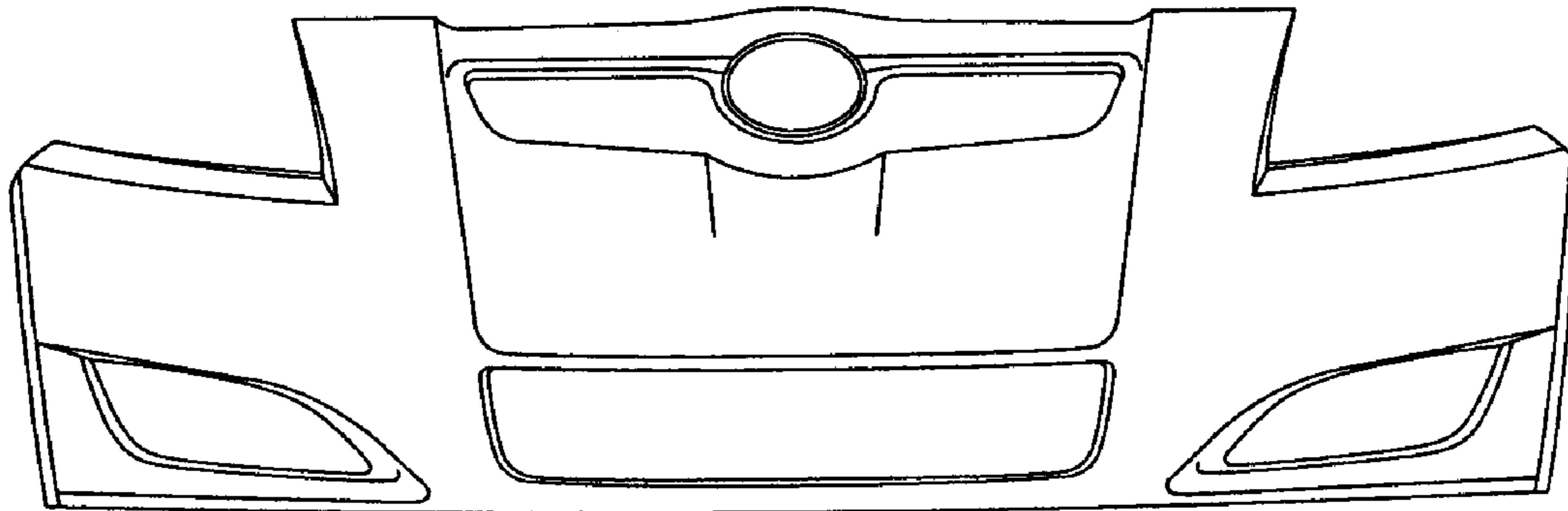


FIG. 2

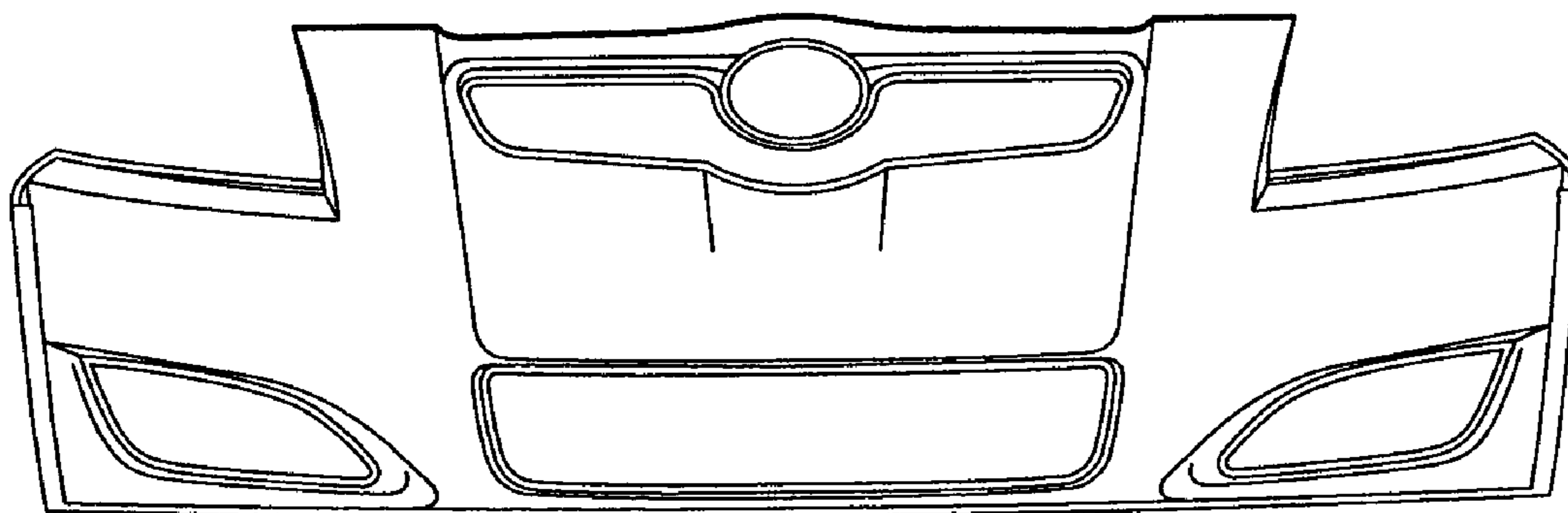


FIG. 3

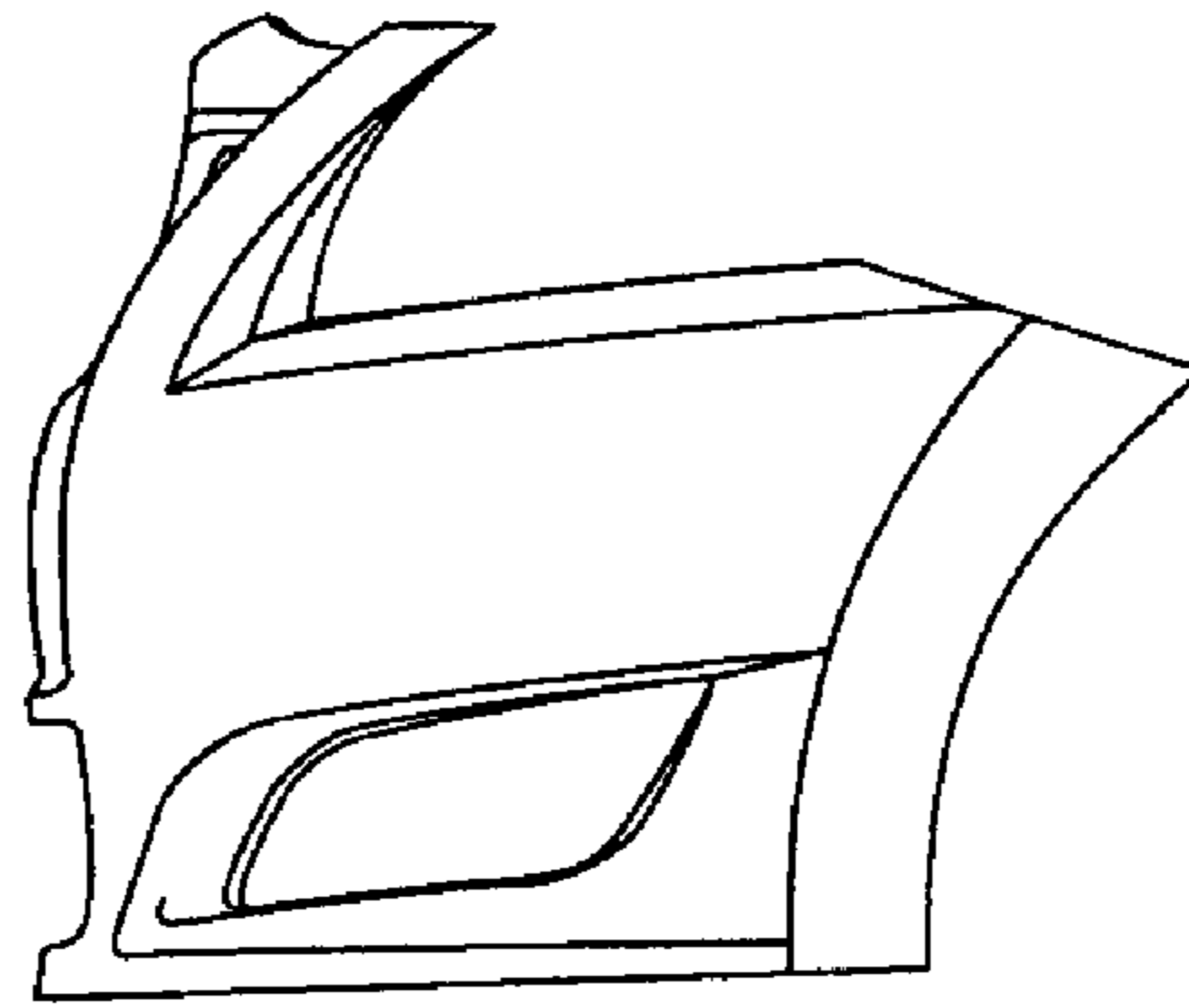


FIG. 4

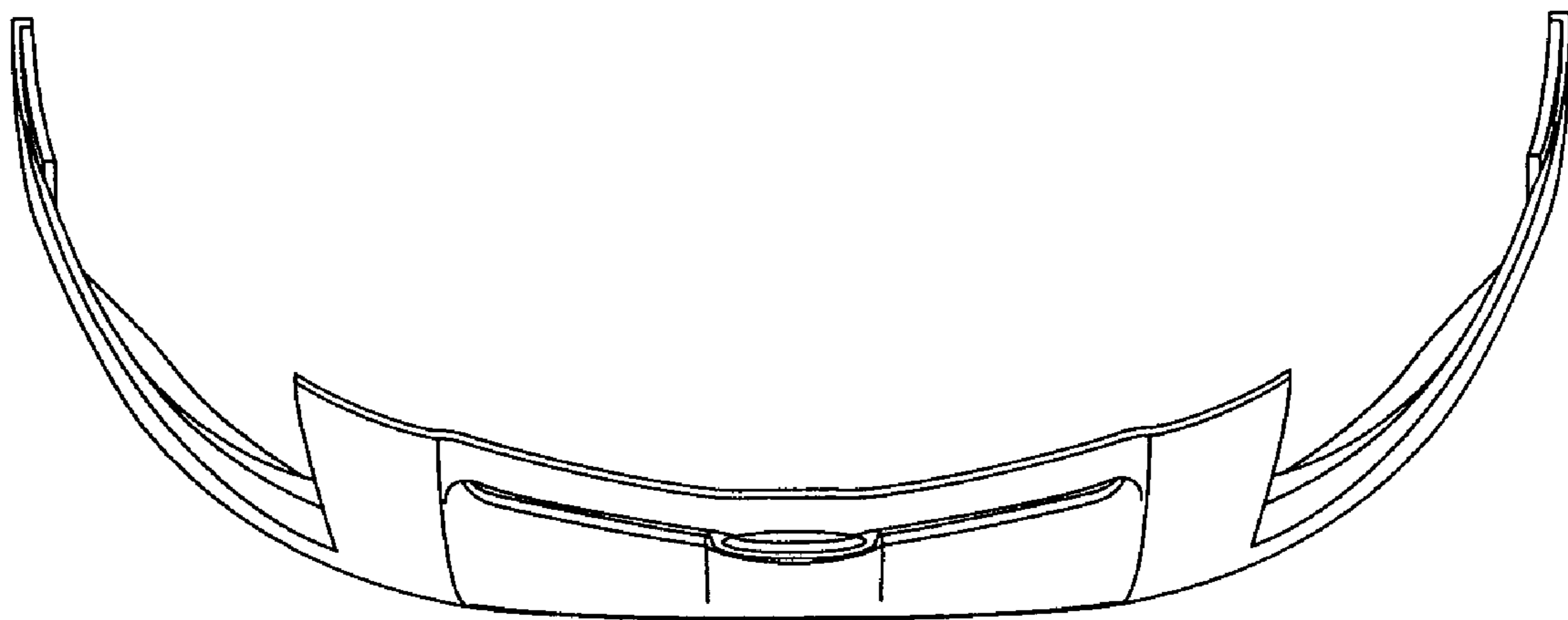


FIG. 5

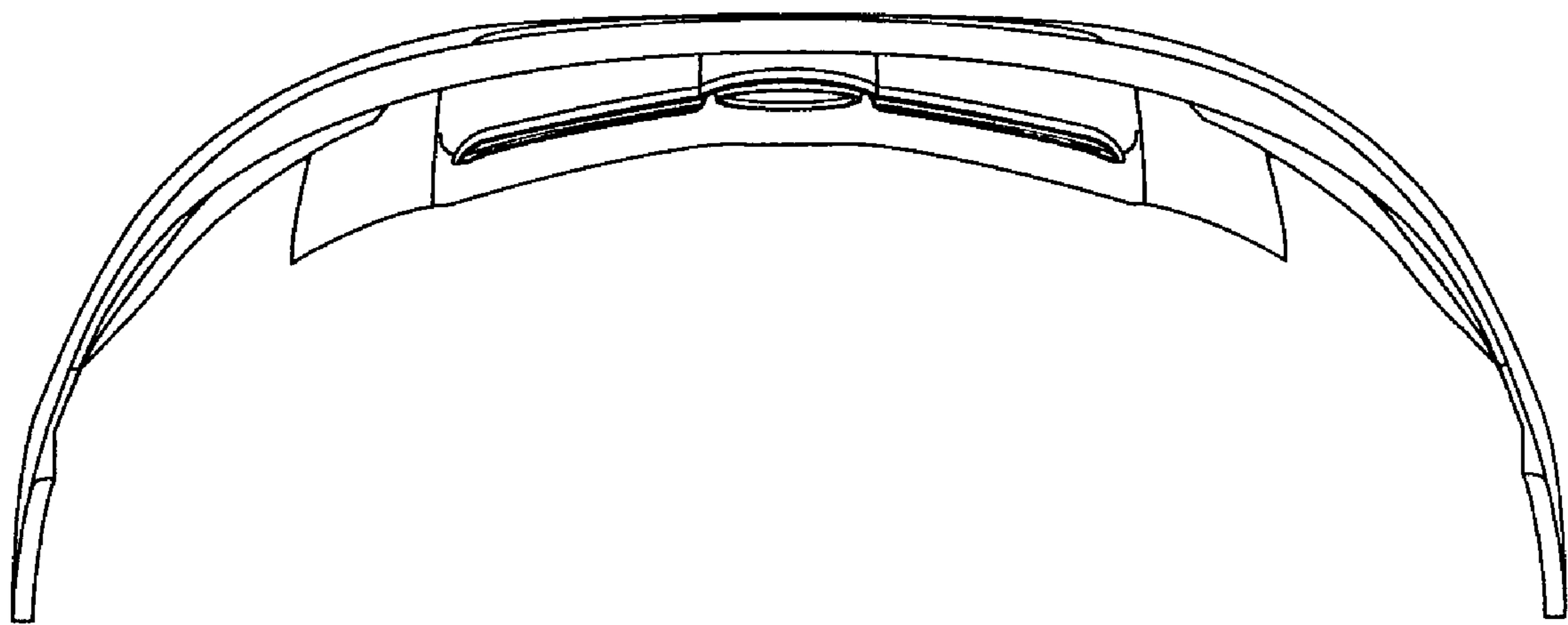


FIG. 6