



US00D563844S

(12) **United States Design Patent**
Kodama et al.

(10) **Patent No.:** **US D563,844 S**
(45) **Date of Patent:** **** Mar. 11, 2008**

(54) **REAR BUMPER FOR AN AUTOMOBILE**

(75) Inventors: **Shuusaku Kodama**, Aichi-ken (JP);
Kenji Kido, Toyota (JP); **Kazuhiro Sato**, Toyota (JP)

(73) Assignee: **Toyota Jidosha Kabushiki Kaisha** (JP)

(**) Term: **14 Years**

(21) Appl. No.: **29/272,012**

(22) Filed: **Jan. 30, 2007**

(51) **LOC (8) Cl.** **12-16**

(52) **U.S. Cl.** **D12/169**

(58) **Field of Classification Search** D12/90-92,
D12/86, 169, 196, 163; 296/193.1, 181.1;
293/102, 113, 115, 117, 120

See application file for complete search history.

(56) **References Cited**

U.S. PATENT DOCUMENTS

D540,724 S *	4/2007	Levy	D12/169
D545,733 S *	7/2007	Hamano	D12/169
D546,249 S *	7/2007	Markefka	D12/169
D550,130 S *	9/2007	Lamarre	D12/169

OTHER PUBLICATIONS

Brochure for Mercedes-Benz M-Class issued by Daimler Chrysler AG, Jan. 2006.

Brochure for Pontiac Vibe, issued by General Motors Corporation, Jul. 2005.

* cited by examiner

Primary Examiner—Melody N. Brown

(74) *Attorney, Agent, or Firm*—SAIDMAN DesignLaw Group

(57) **CLAIM**

The ornamental design for a rear bumper for an automobile, as shown and described.

DESCRIPTION

FIG. 1 is a front perspective view of a rear bumper for an automobile showing our new design;

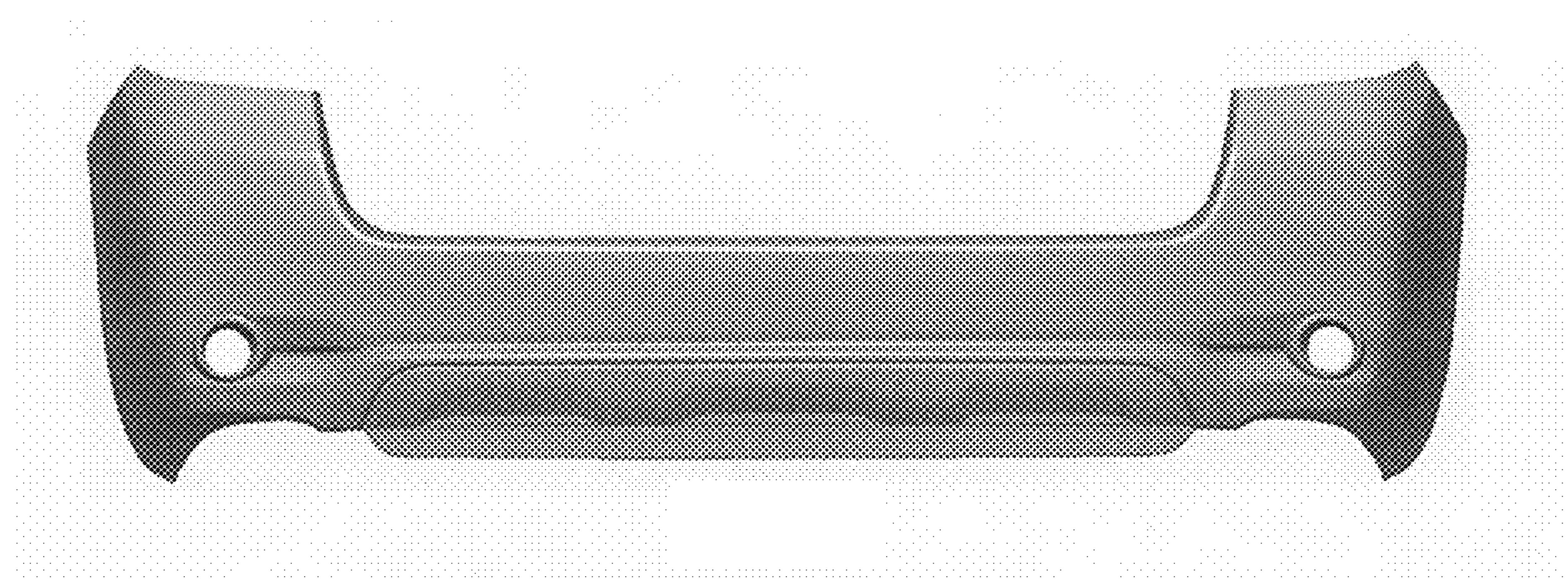
FIG. 2 is a front elevational view thereof;

FIG. 3 is a bottom plan view thereof;

FIG. 4 is a right-side elevational view thereof; and,

FIG. 5 is a left-side elevational view thereof.

1 Claim, 1 Drawing Sheet



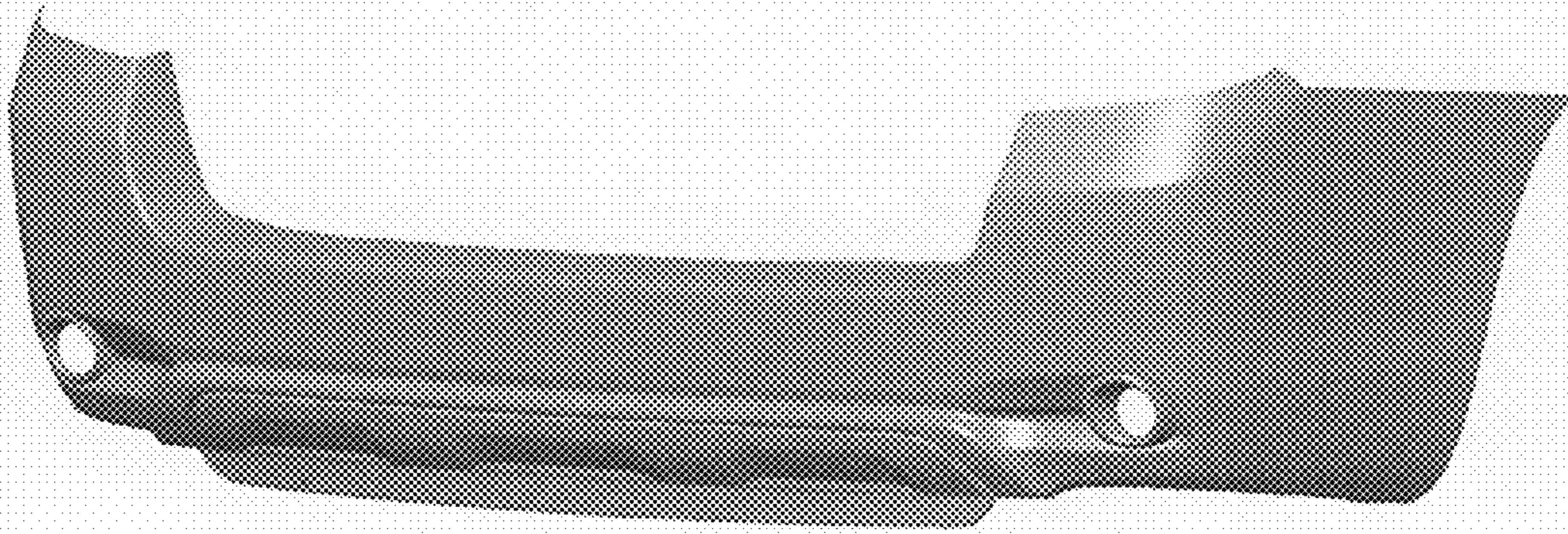


FIG. 1

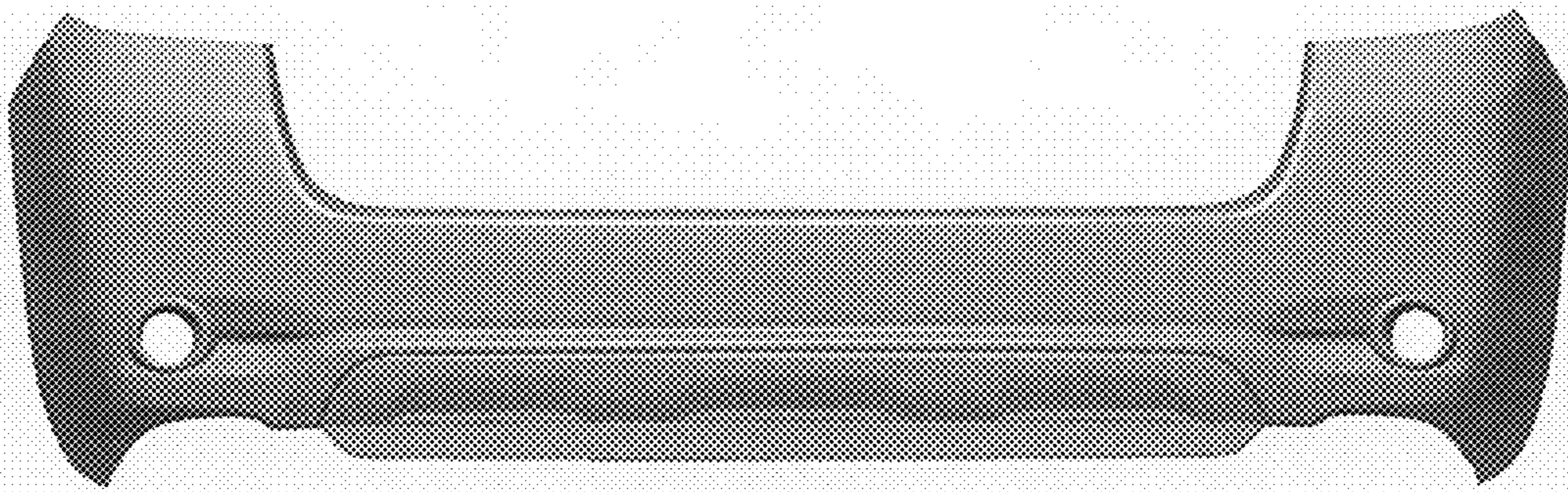


FIG. 2

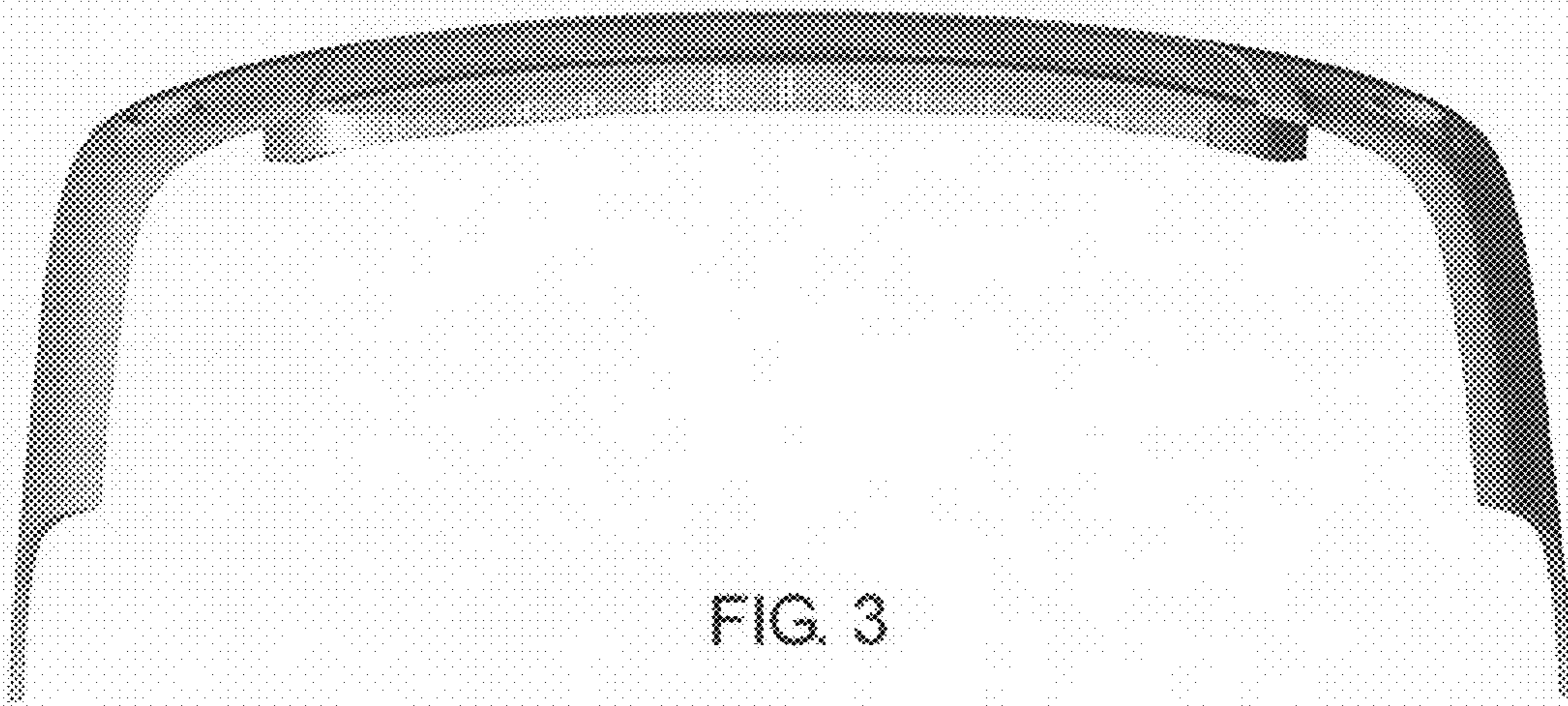


FIG. 3

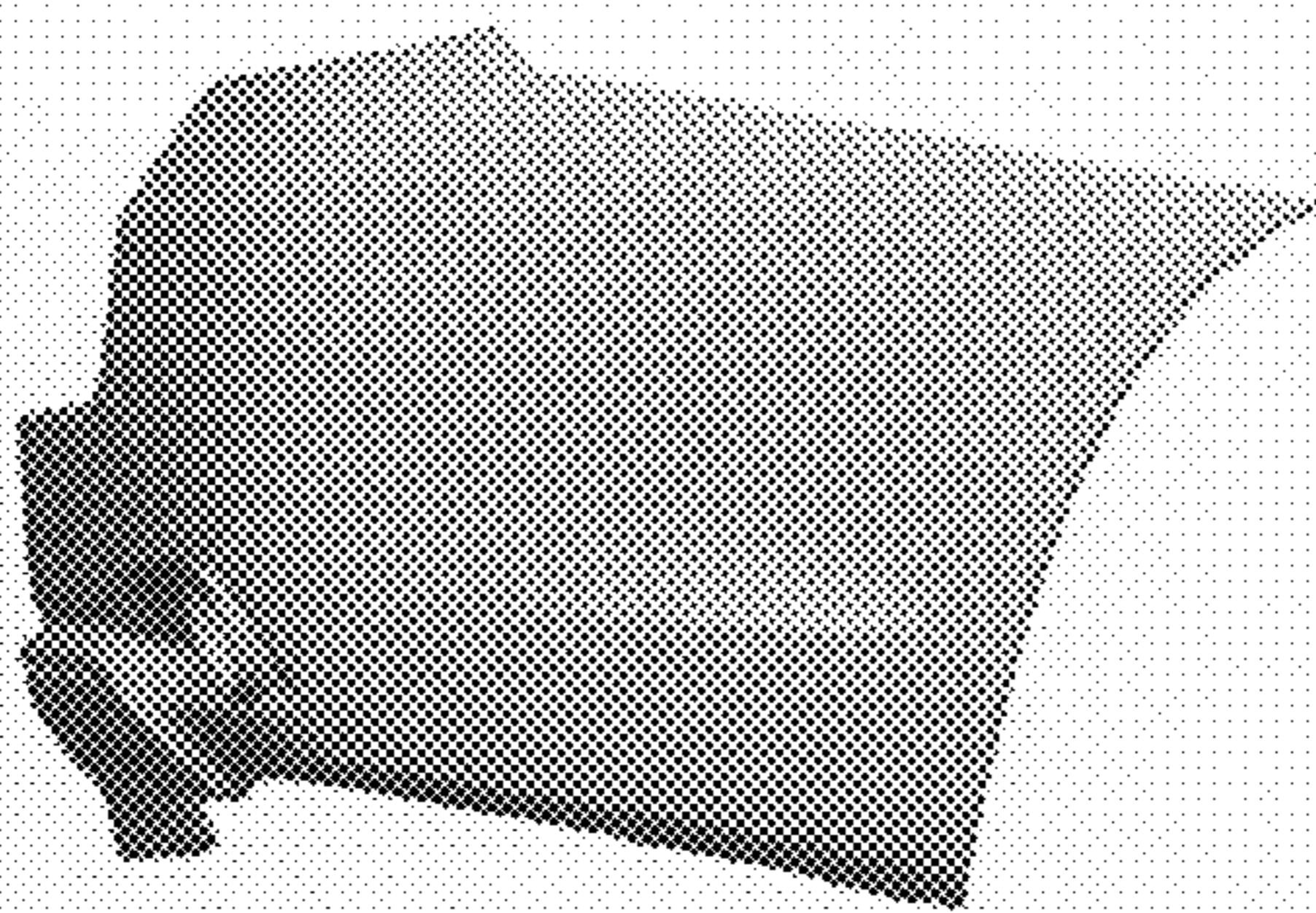


FIG. 4

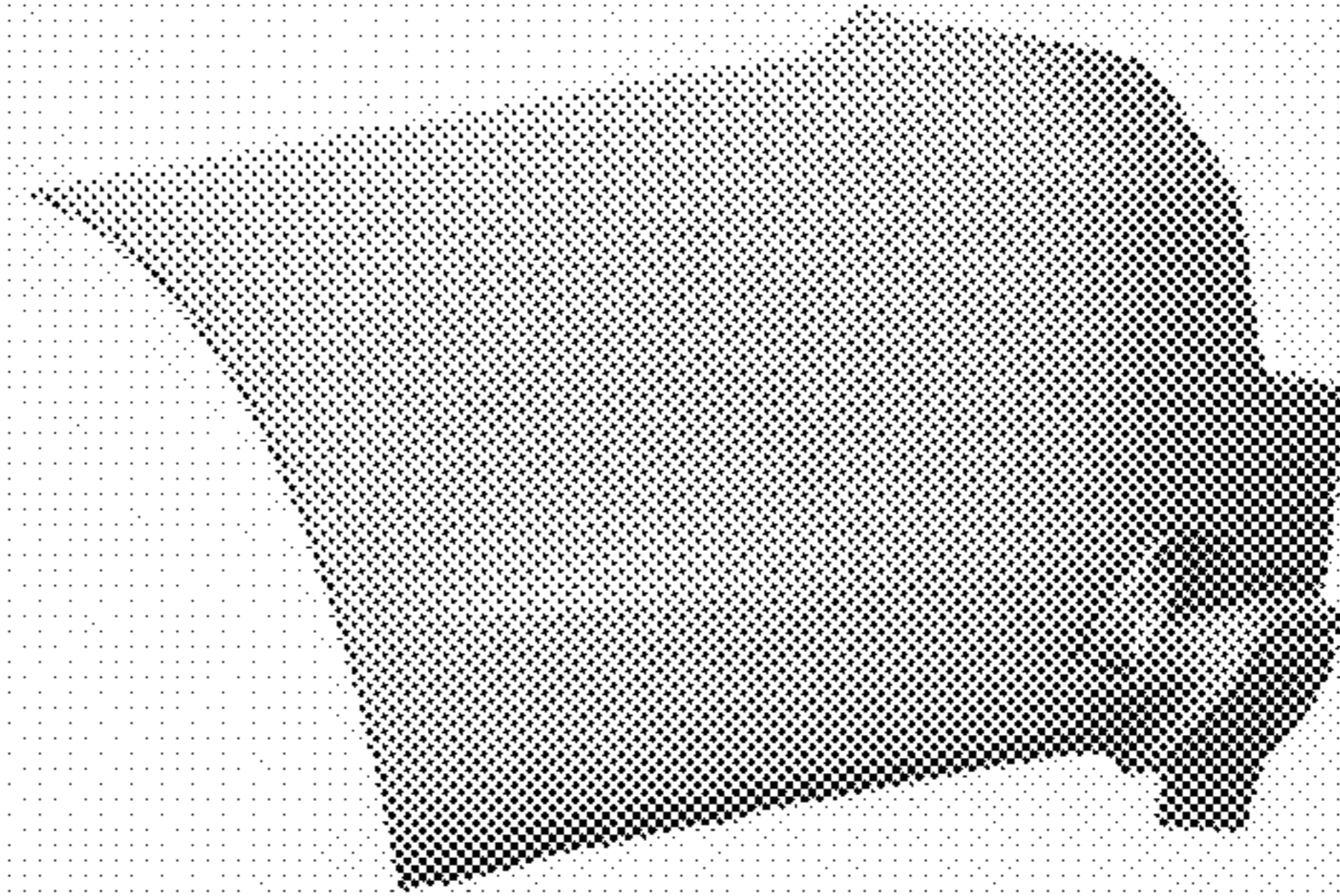


FIG. 5