



US00D563841S

(12) **United States Design Patent** (10) **Patent No.:** **US D563,841 S**
Pfeiffer (45) **Date of Patent:** **** Mar. 11, 2008**

(54) **FRONT BUMPER FOR A VEHICLE**
(75) Inventor: **Peter Pfeiffer**, Boeblingen (DE)
(73) Assignee: **DaimlerChrysler AG**, Stuttgart (DE)
(**) Term: **14 Years**
(21) Appl. No.: **29/271,917**
(22) Filed: **Jan. 30, 2007**

Primary Examiner—Melody N. Brown
(74) *Attorney, Agent, or Firm*—Crowell & Moring LLP

(57) **CLAIM**

The ornamental design for a front bumper for a vehicle, as shown and described.

(30) **Foreign Application Priority Data**
Jul. 31, 2006 (DE) 4 06 03 970
(51) **LOC (8) Cl.** **12-16**
(52) **U.S. Cl.** **D12/169**
(58) **Field of Classification Search** D12/90–92,
D12/86, 169, 196, 163; 296/193.1, 181.1;
293/102, 113, 115, 117, 120
See application file for complete search history.

DESCRIPTION

This application is related to the following co-pending application, of the inventor, filed on even date herewith:

Application Ser. No. 29/271,921, entitled “Vehicle, Toy, and/or Other Replicas”.

FIG. 1 is a right perspective view of a front bumper for a vehicle according to my novel design, the left perspective view being mirror symmetrical;

FIG. 2 is a front view thereof;

FIG. 3 is a left side view thereof, the right side view being mirror symmetrical;

FIG. 4 is a top view thereof, a rear portion of which, although not visible when installed on the vehicle, is provided to clarify configuration details that are visible from the front and bottom of the vehicle; and,

FIG. 5 is a bottom view thereof.

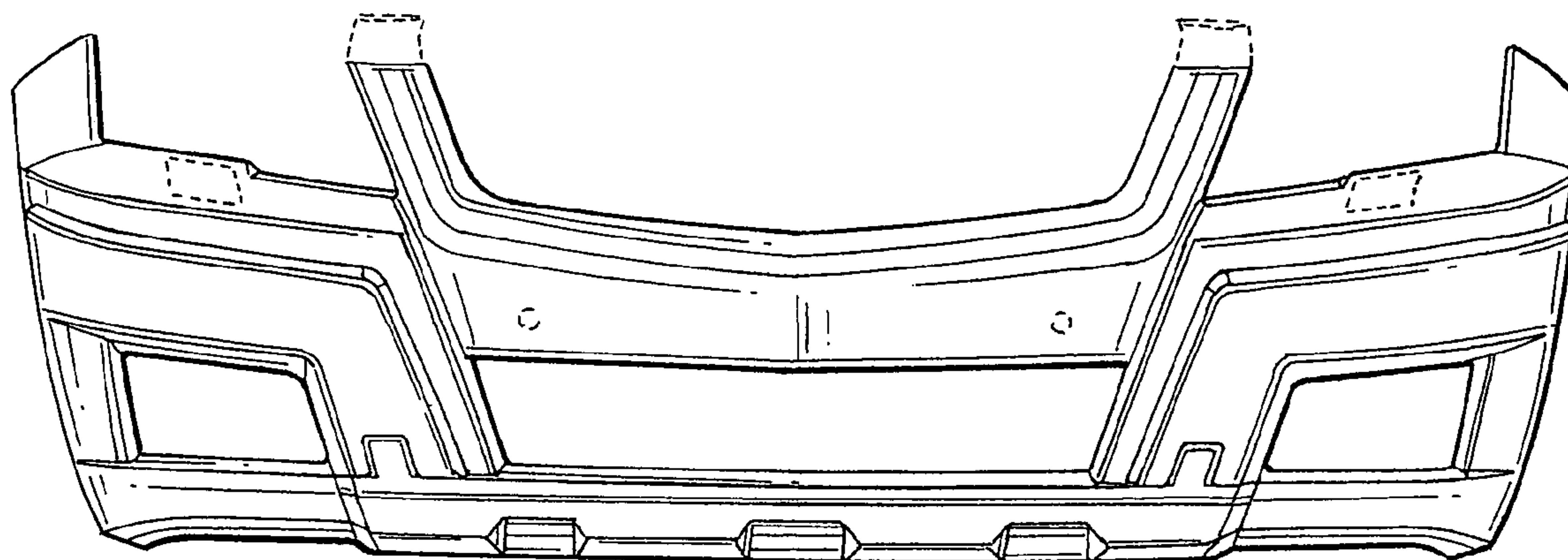
The broken lines are for illustrative purposes only and form no part of the claimed design.

(56) **References Cited**
U.S. PATENT DOCUMENTS

D504,365 S *	4/2005	Pfeiffer	D12/169
D516,474 S *	3/2006	Honda et al.	D12/169
D520,417 S *	5/2006	Yagi et al.	D12/169
D522,938 S *	6/2006	Iwanaga	D12/169
D533,120 S *	12/2006	Tachibana	D12/169
D533,486 S *	12/2006	Pfeiffer	D12/169
D544,417 S *	6/2007	Kono	D12/169
D550,129 S *	9/2007	Koizumi et al.	D12/169
D550,594 S *	9/2007	Pfeiffer	D12/169

* cited by examiner

1 Claim, 2 Drawing Sheets



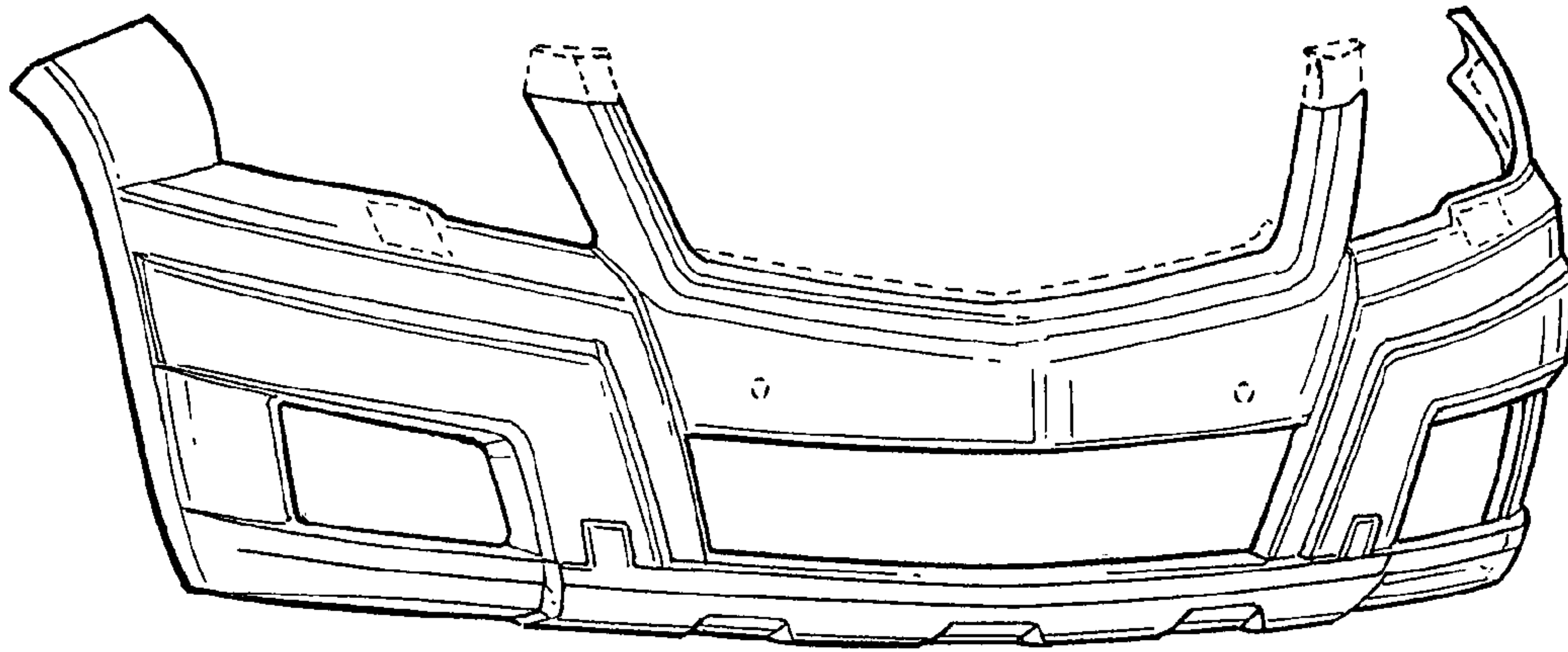


FIG. 1

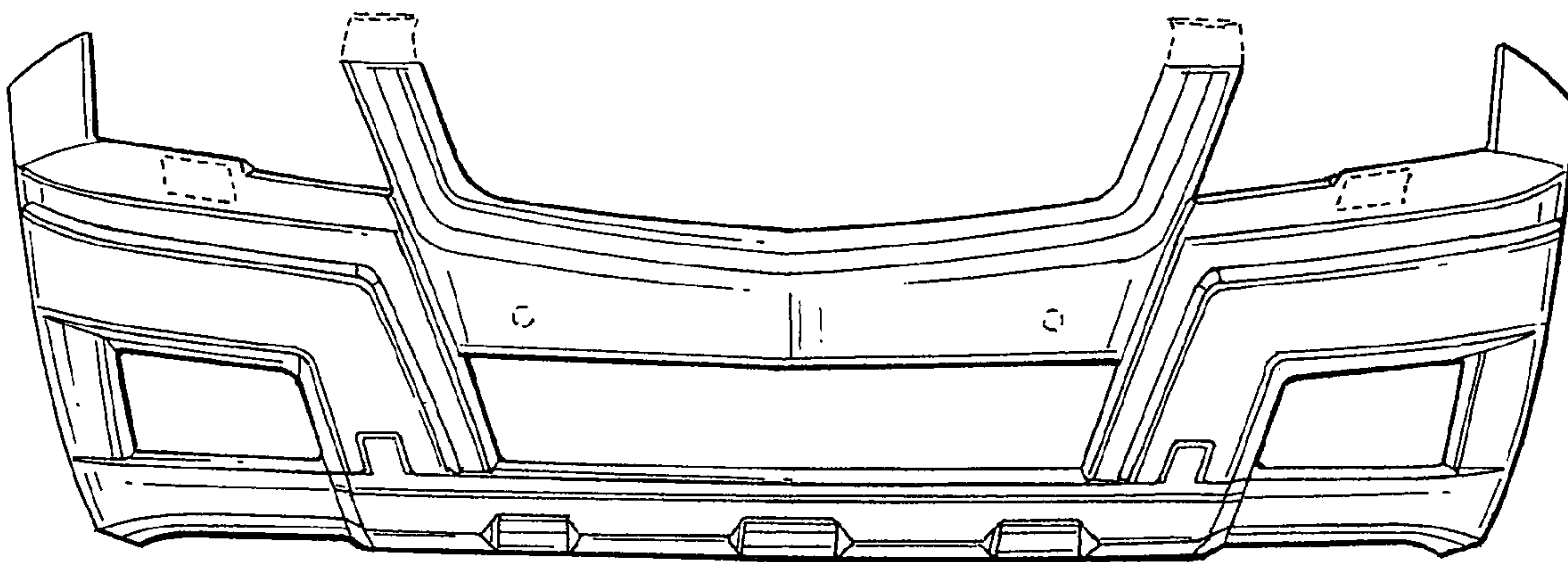


FIG. 2

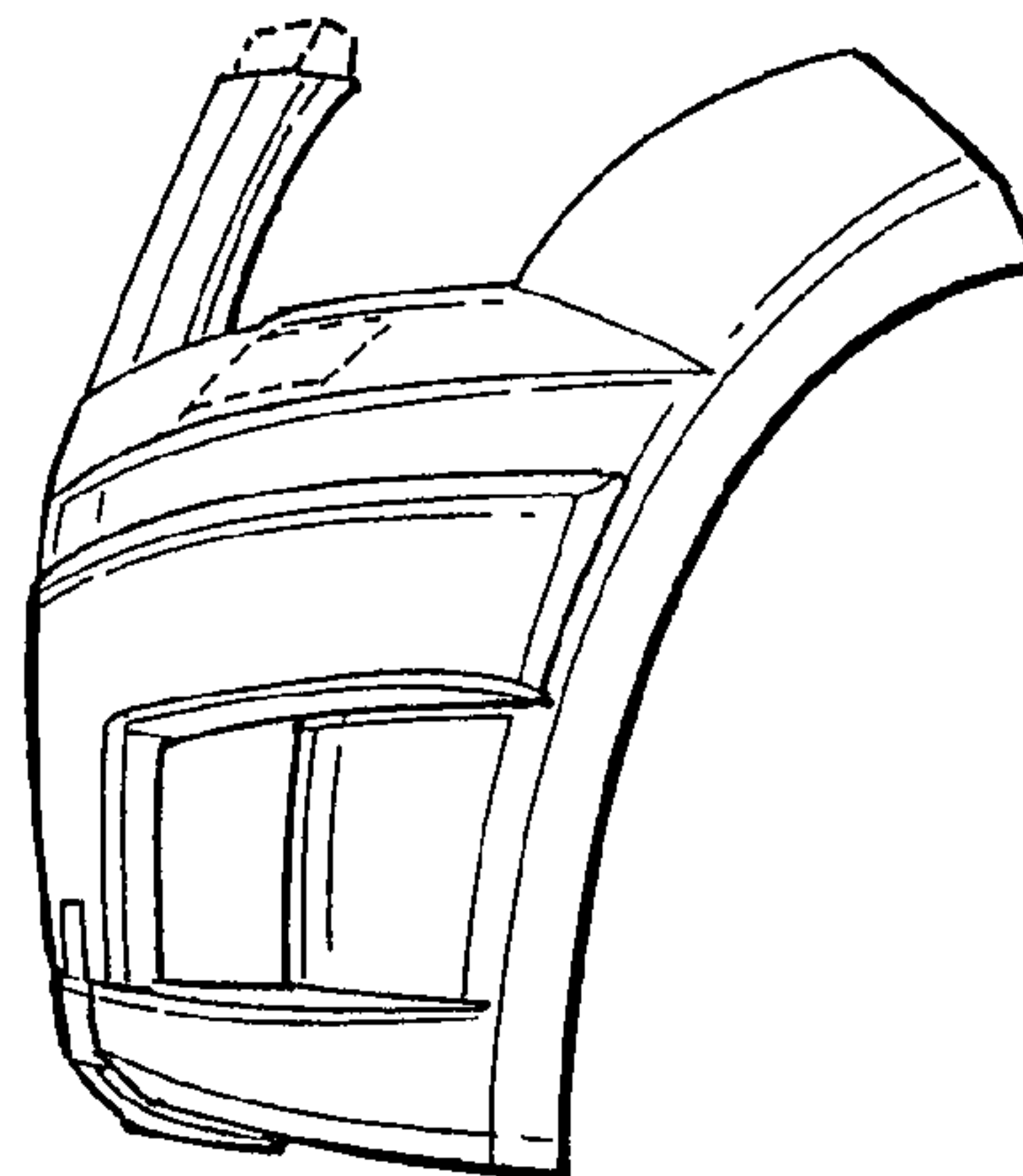


FIG. 3

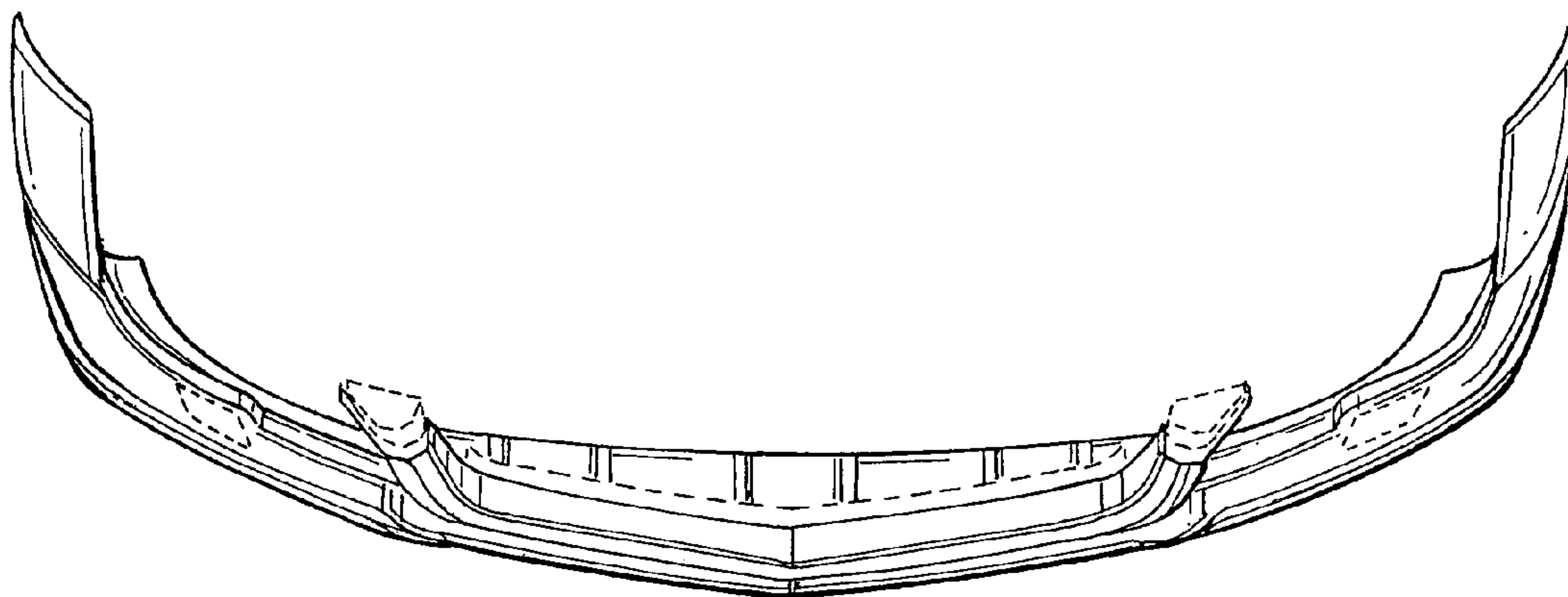


FIG. 4

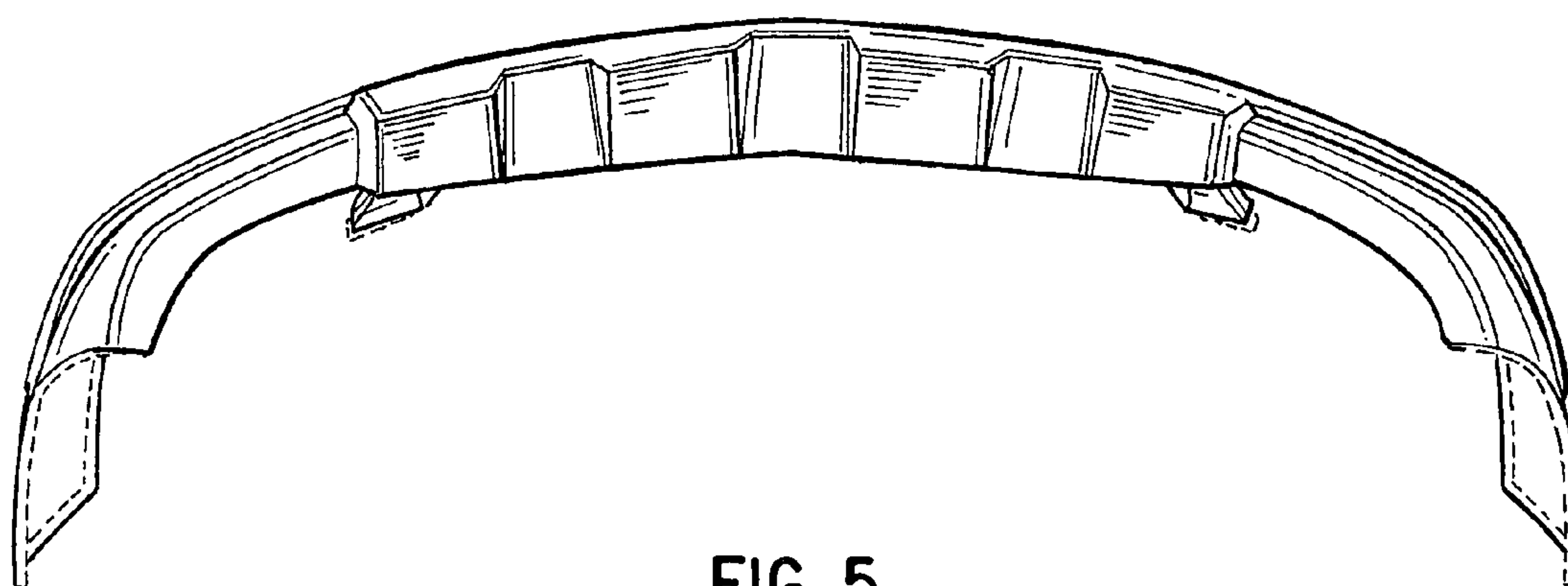


FIG. 5