

US00D563836S

(12) **United States Design Patent**
Okue et al.

(10) **Patent No.:** **US D563,836 S**
(45) **Date of Patent:** **** Mar. 11, 2008**

(54) **MOTOR VEHICLE AND/OR TOY REPLICA THEREOF**

D532,718 S * 11/2006 Miyazaki et al. D12/92
D543,136 S * 5/2007 Arai et al. D12/92

(75) Inventors: **Masaki Okue**, Toyota (JP); **Tatsuya Sonoda**, Toyota (JP)

(73) Assignee: **Toyota Jidosha Kabushiki Kaisha** (JP)

(**) Term: **14 Years**

(21) Appl. No.: **29/273,953**

(22) Filed: **Mar. 16, 2007**

(30) **Foreign Application Priority Data**

Sep. 27, 2006 (JP) 2006-025884

(51) **LOC (8) Cl.** **12-08**

(52) **U.S. Cl.** **D12/92**

(58) **Field of Classification Search** D12/90-92,
D12/86; 296/181.1, 181.5

See application file for complete search history.

(56) **References Cited**

U.S. PATENT DOCUMENTS

D494,892 S * 8/2004 Hagino et al. D12/92
D500,710 S * 1/2005 Saito et al. D12/92
D500,711 S * 1/2005 Saito et al. D12/92
D510,300 S * 10/2005 Matsumoto et al. D12/92
D518,415 S * 4/2006 Matsumoto et al. D12/92
D531,548 S * 11/2006 Hagino et al. D12/92

OTHER PUBLICATIONS

Toyota, Belta, Brochure of Belta, Nov. 2005, Toyota Jidosha Kabushiki Kaisha.

Mazda, Atenza, Brochure of Atenza, Apr. 2004, Mazda Motor Corporation.

Toyota, Mark X, Brochure of Mark X, Mar. 2005, Toyota Jidosha Kabushiki Kaisha.

* cited by examiner

Primary Examiner—Melody N. Brown

(74) *Attorney, Agent, or Firm*—Saidman DesignLaw Group

(57) **CLAIM**

The ornamental design for a motor vehicle and/or toy replica thereof, as shown and described.

DESCRIPTION

FIG. 1 is a front perspective view of a motor vehicle and/or toy replica thereof showing our new design;

FIG. 2 is rear perspective view thereof;

FIG. 3 is a right-side view thereof;

FIG. 4 is a top view thereof;

FIG. 5 is a front view thereof; and,

FIG. 6 is a rear view thereof.

1 Claim, 2 Drawing Sheets





FIG. 1



FIG. 2

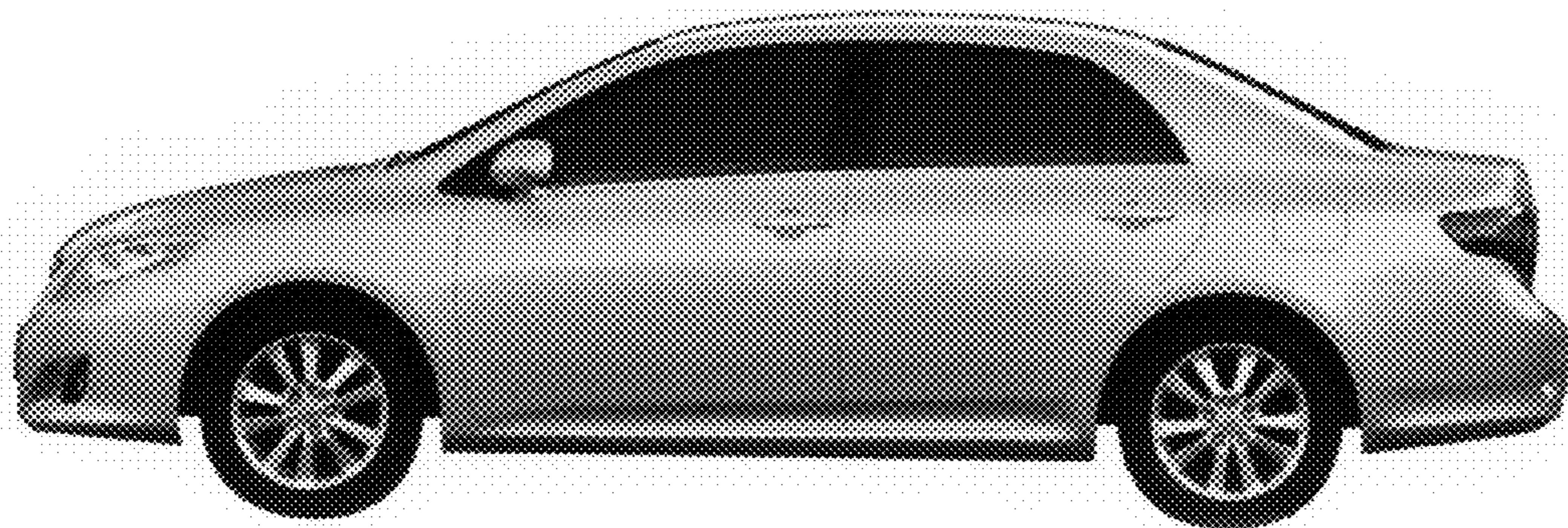


FIG. 3

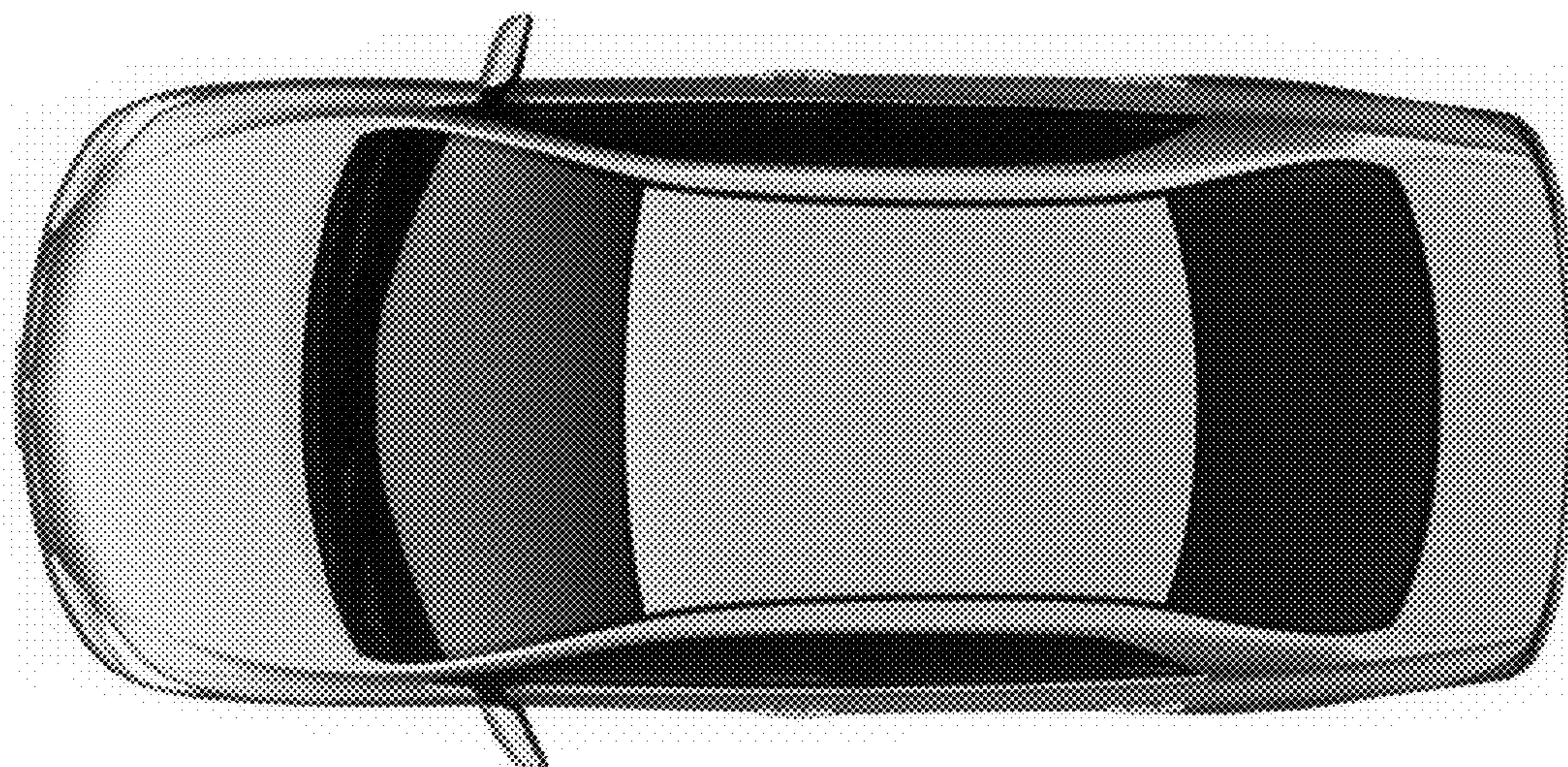


FIG. 4



FIG. 5



FIG. 6