



US00D563830S

(12) **United States Design Patent**
Takeda et al.

(10) **Patent No.:** **US D563,830 S**
(45) **Date of Patent:** **** Mar. 11, 2008**

(54) **BRAKE PEDAL**

4,716,980 A 1/1988 Butler

(75) Inventors: **Mitsumasa Takeda**, Kariya (JP); **Seigo Shimizu**, Kariya (JP)

(Continued)

(73) Assignee: **Kabushiki Kaisha Toyota Jidoshokki**, Kariya-shi (JP)

Primary Examiner—Cathron Brooks
Assistant Examiner—Michael A. Pratt

(74) *Attorney, Agent, or Firm*—Morgan & Finnegan, L.L.P.

(**) Term: **14 Years**

(57) **CLAIM**

(21) Appl. No.: **29/276,779**

The ornamental design for a brake pedal, as shown and described.

(22) Filed: **Feb. 5, 2007**

DESCRIPTION

Related U.S. Application Data

(62) Division of application No. 29/201,609, filed on Mar. 17, 2004, now Pat. No. Des. 539,701.

FIG. 1 is a perspective view showing a brake pedal of the present invention.

FIG. 2 is a front view thereof;

FIG. 3 is rear view thereof;

FIG. 4 is a top plan view thereof;

FIG. 5 is a right side view thereof;

FIG. 6 is a left side view thereof;

FIG. 7 is a partial enlarged perspective view of the section surrounding the parking brake as shown in FIG. 1

FIG. 8 is a partial enlarged front view thereof;

FIG. 9 is a partial enlarged rear view thereof;

FIG. 10 is a partial enlarged top plan view thereof;

FIG. 11 is a partial enlarged left side elevational view thereof;

FIG. 12 is a front view of a brake pedal of the present invention;

FIG. 13 is a rear view of a brake pedal of the present invention;

FIG. 14 is a top plan view of a brake pedal of the present invention; and,

FIG. 15 is a left side elevational view of a brake pedal of the present invention.

The broken lines in FIGS. 1–11 are shown for illustrative purposes only and form no part of the claimed design.

Foreign Application Priority Data

(30) Sep. 22, 2003 (JP) 2003-027733
Sep. 22, 2003 (JP) 2003-027734
Sep. 22, 2003 (JP) 2003-027735

(51) **LOC (8) Cl.** **12-13**

(52) **U.S. Cl.** **D12/14**

(58) **Field of Classification Search** D12/1,
D12/12, 13, 15, 4, 8, 16, 41, 44–46, 85, 93,
D12/95, 96, 99, 125, 174, 179, 180; D15/10,
D15/28, 33; 280/87.01, 266, 235, 47.25;
180/216, 19.2, 65.1, 211, 215; 297/125,
297/452.3; 74/560–563; D8/300, 308
See application file for complete search history.

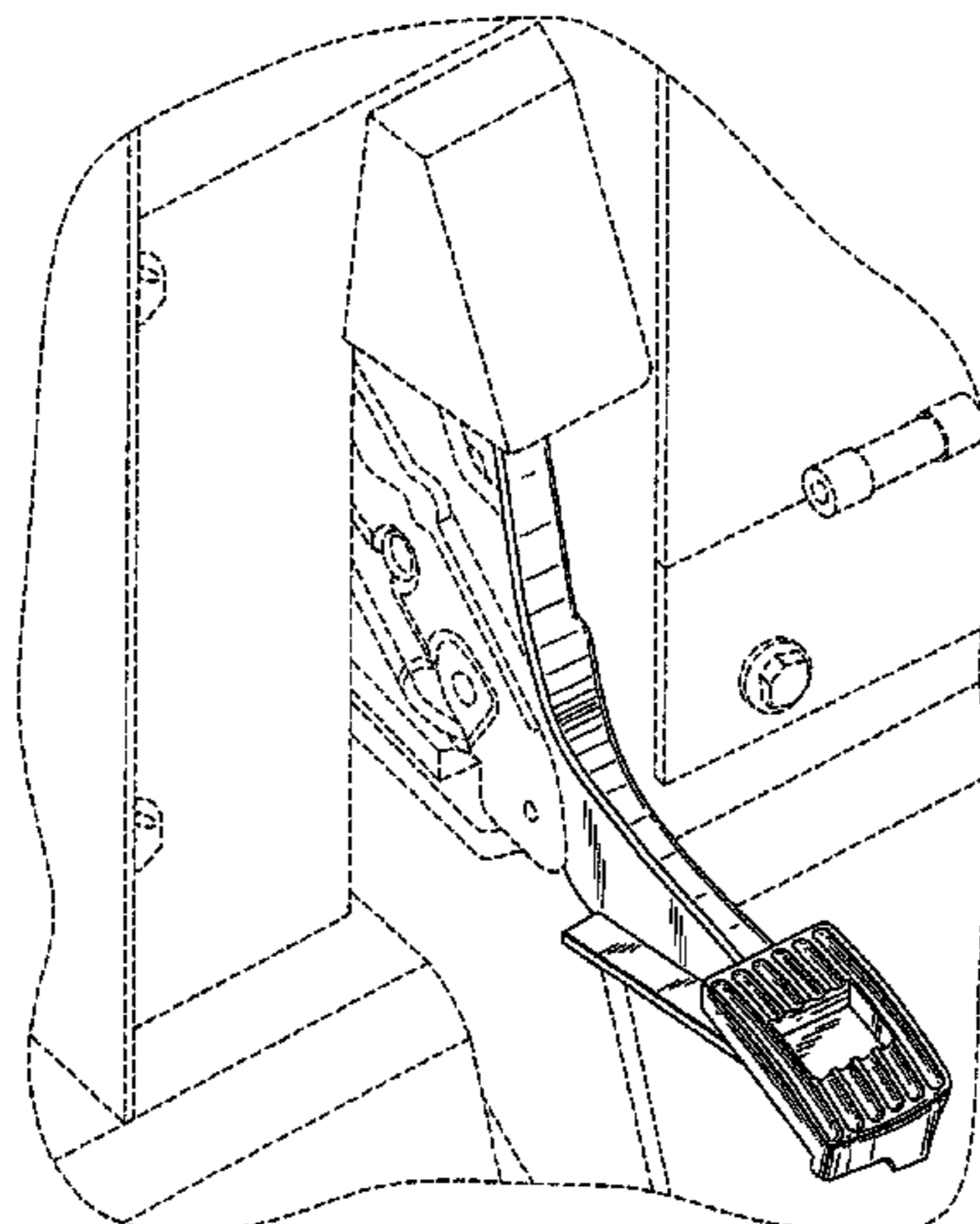
References Cited

(56)

U.S. PATENT DOCUMENTS

D116,092 S 8/1939 Sunderberg
D184,580 S 3/1959 Polhemus
D186,159 S 9/1959 Chucta
D192,794 S 5/1962 Brown
D223,191 S 3/1972 Satterfield
D271,876 S 12/1983 Browning
D279,660 S 7/1985 Martin, Jr.
D282,153 S 1/1986 Wallace et al.

1 Claim, 9 Drawing Sheets



US D563,830 S

Page 2

U.S. PATENT DOCUMENTS

4,949,592	A *	8/1990	Yamazaki et al.	74/512	5,996,440	A *	12/1999	Nawata et al.	74/512
D310,342	S	9/1990	Formoso		D463,326	S	9/2002	Takeda	
4,958,607	A *	9/1990	Lundberg	123/399	6,553,864	B1 *	4/2003	Ersoy et al.	74/512
D311,505	S	10/1990	Reinhart		D479,167	S *	9/2003	Faust et al.	D12/174
D316,394	S *	4/1991	Carr	D12/203	D503,656	S	4/2005	Fukatsu et al.	
D322,257	S *	12/1991	Boggs, Sr.	D15/28	6,918,316	B2 *	7/2005	Johansson et al.	74/512
5,398,569	A *	3/1995	Carr	74/560	2002/0174738	A1 *	11/2002	Menzies	74/513
5,649,453	A *	7/1997	Kanbe	74/512					
5,896,781	A *	4/1999	Muller	74/512					

* cited by examiner

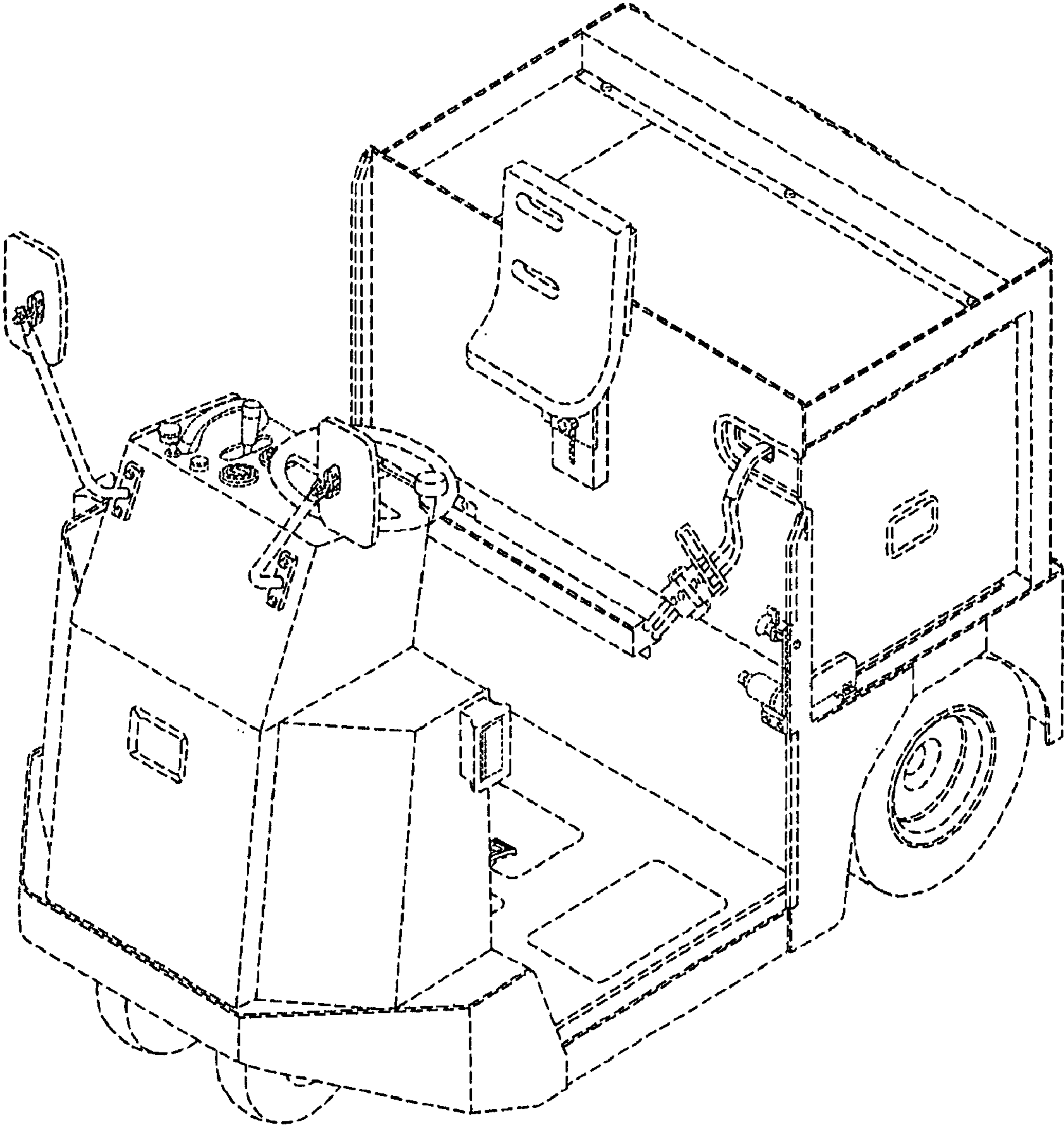
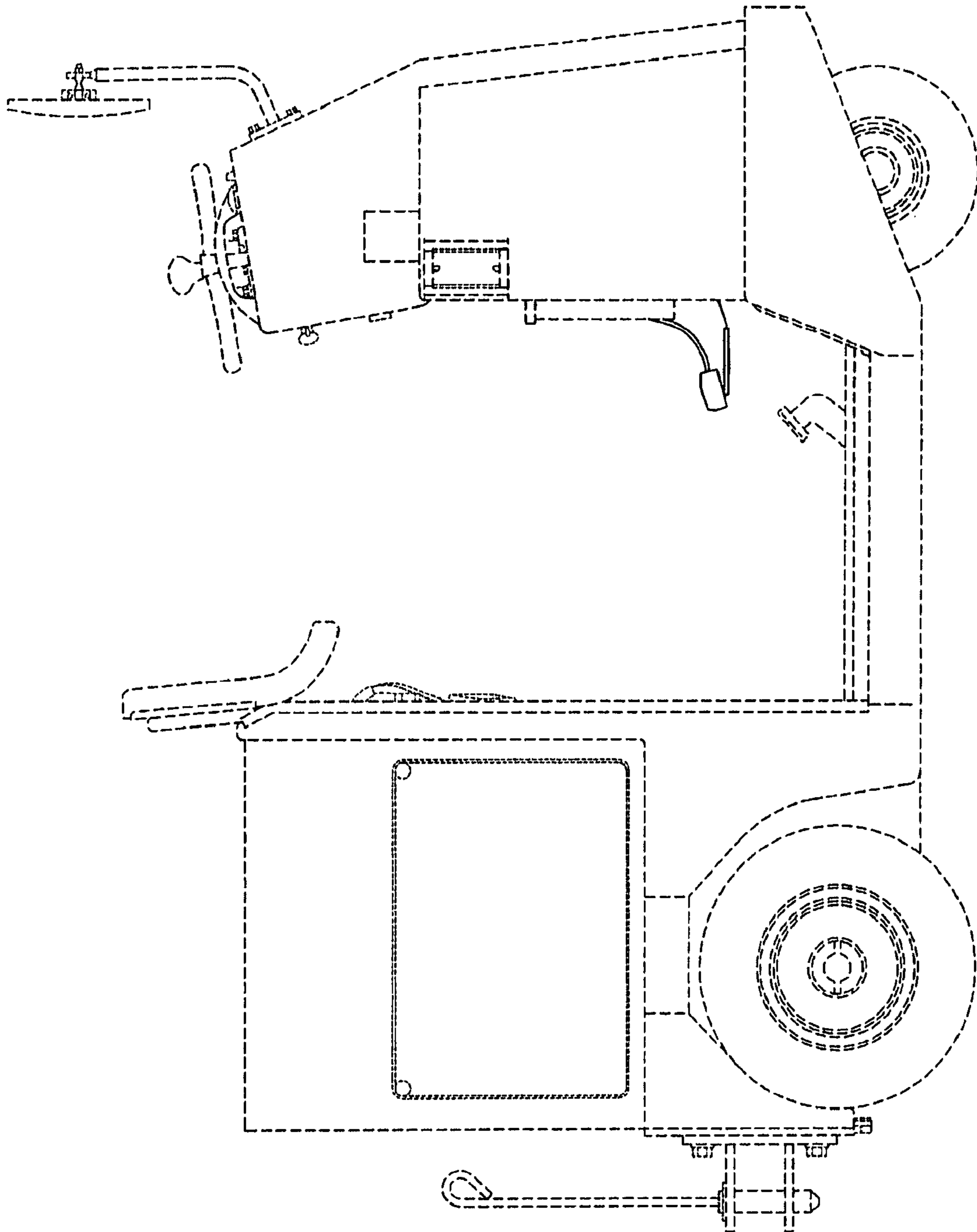


FIG. 1

FIG.2



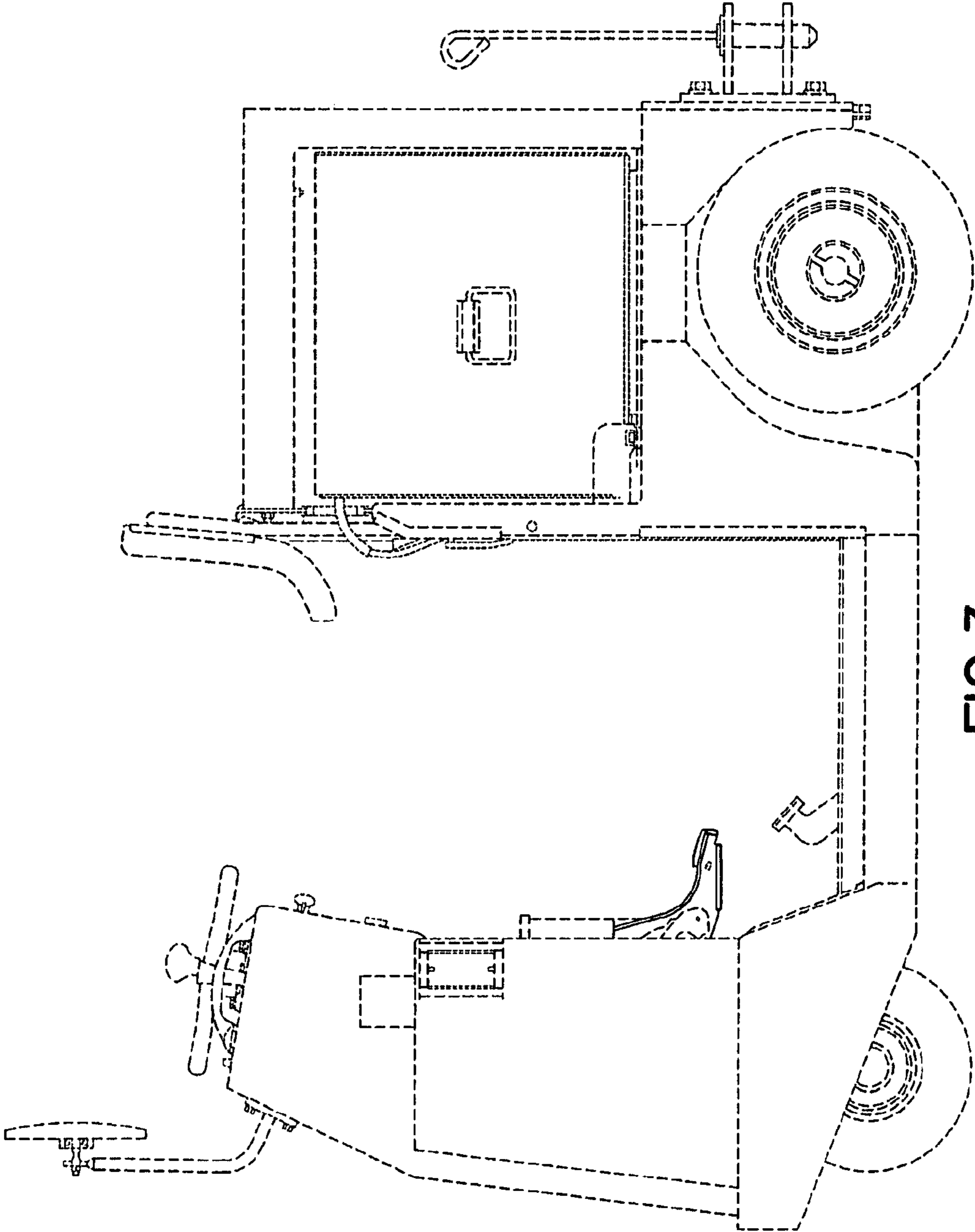


FIG. 3

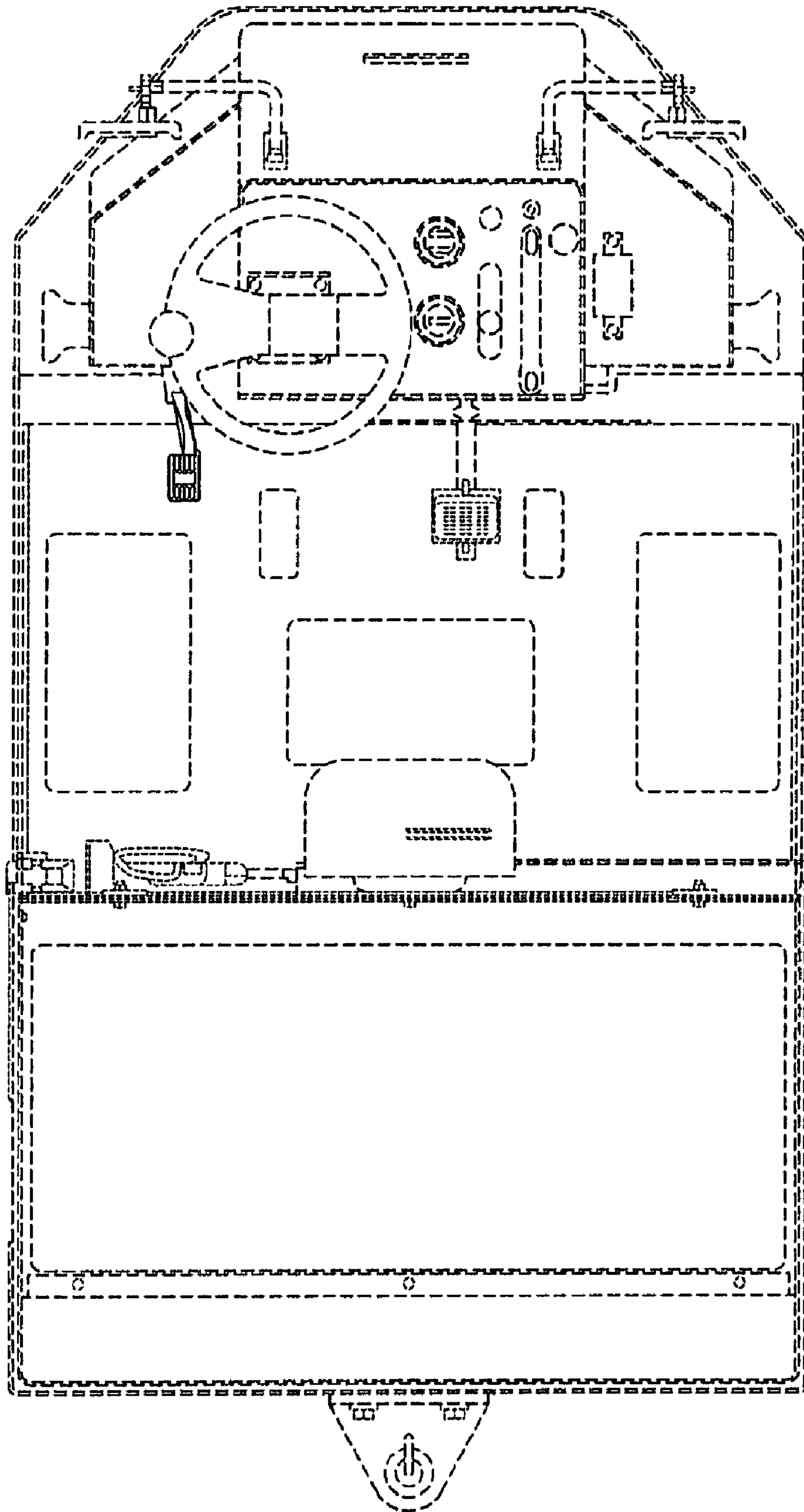


FIG. 4

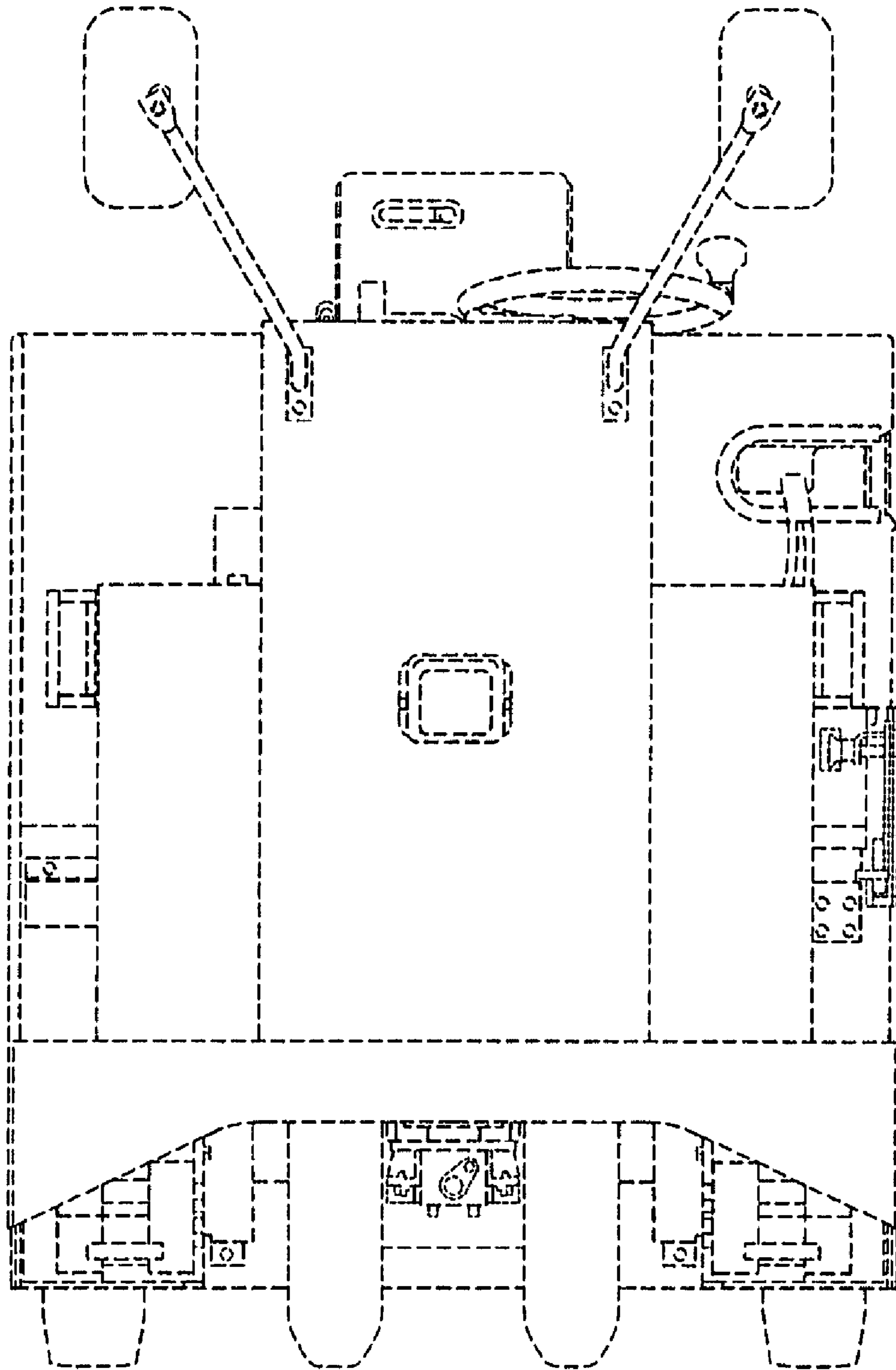


FIG. 5

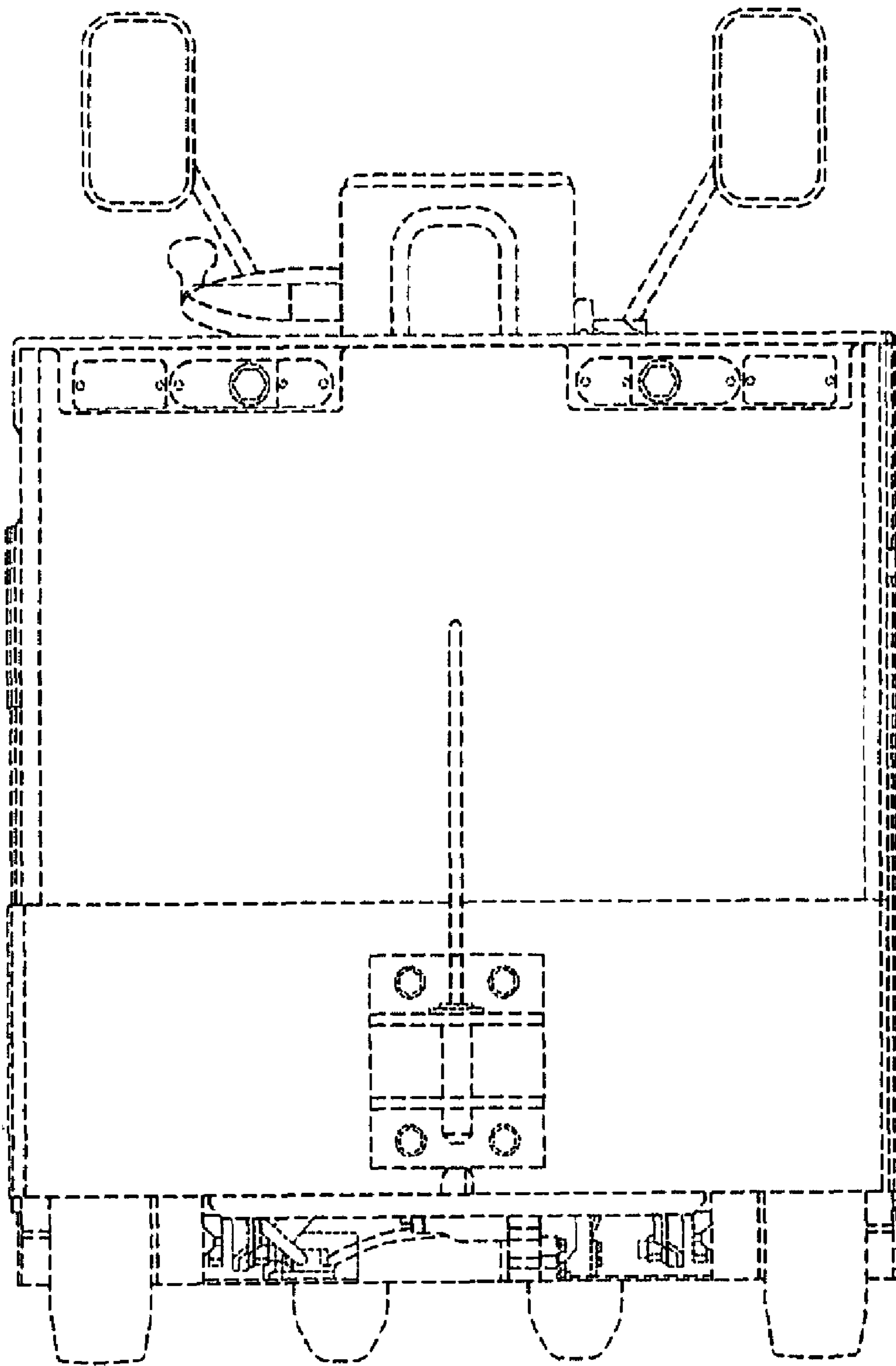


FIG. 6

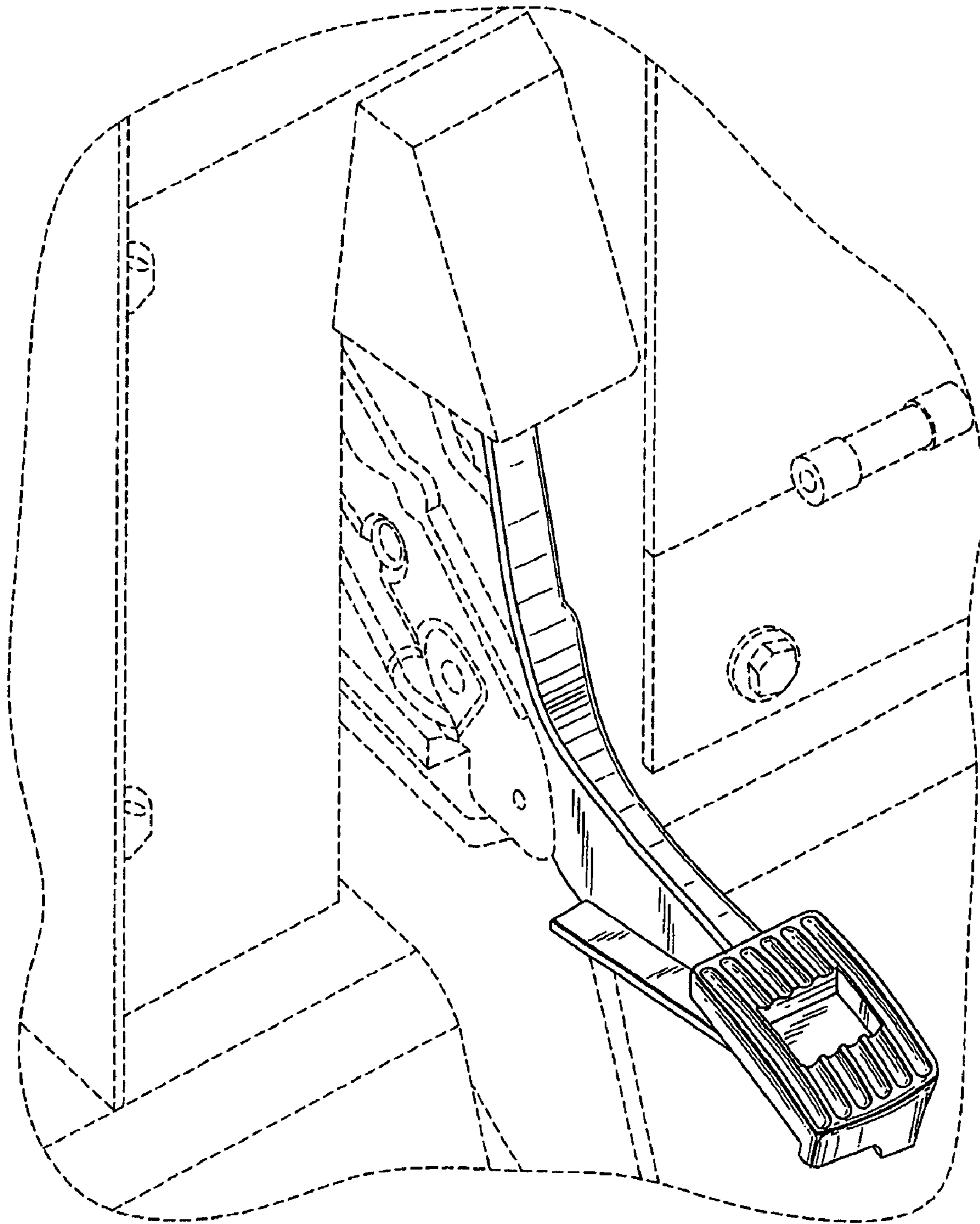


FIG. 7

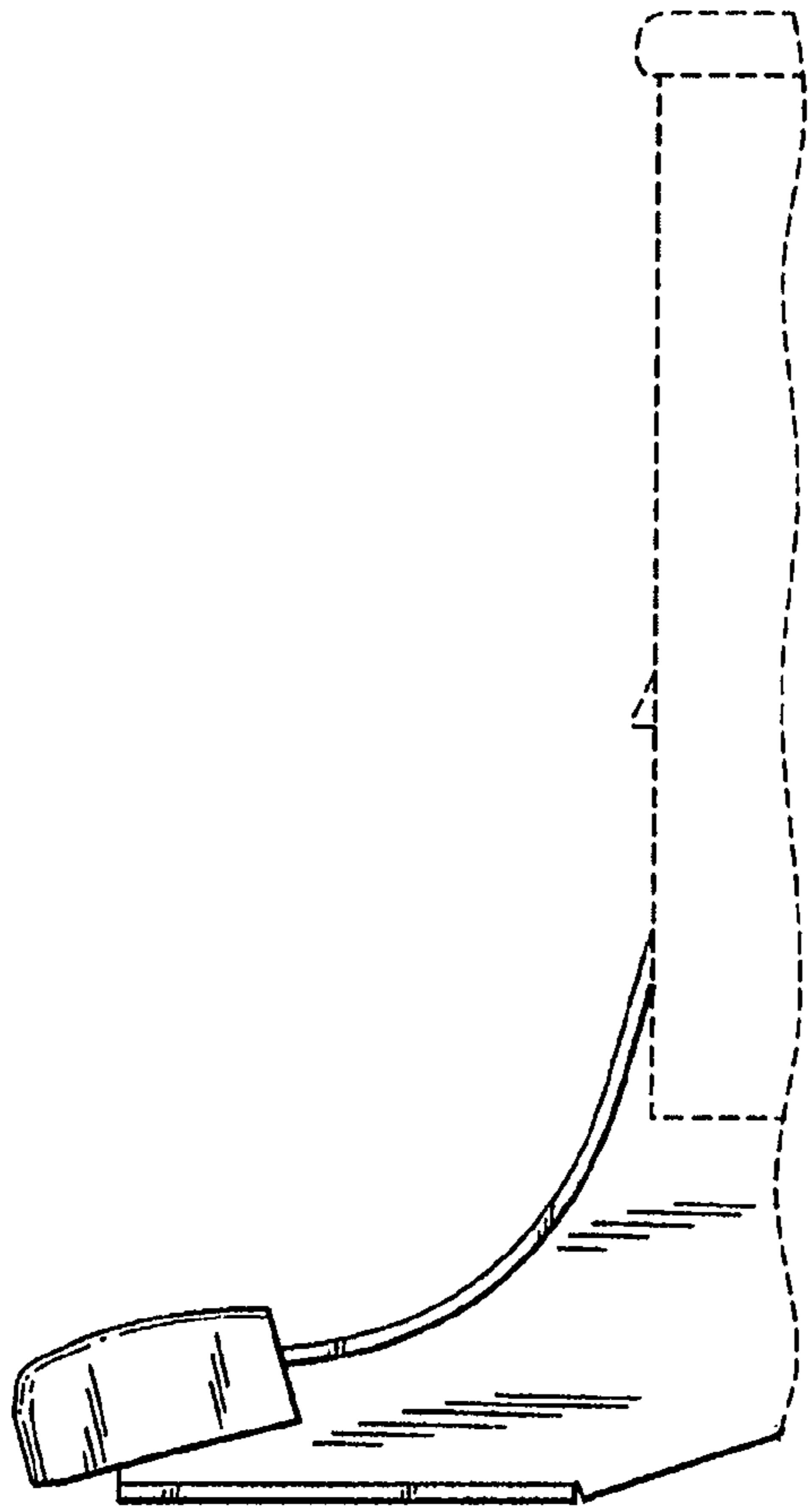


FIG. 8

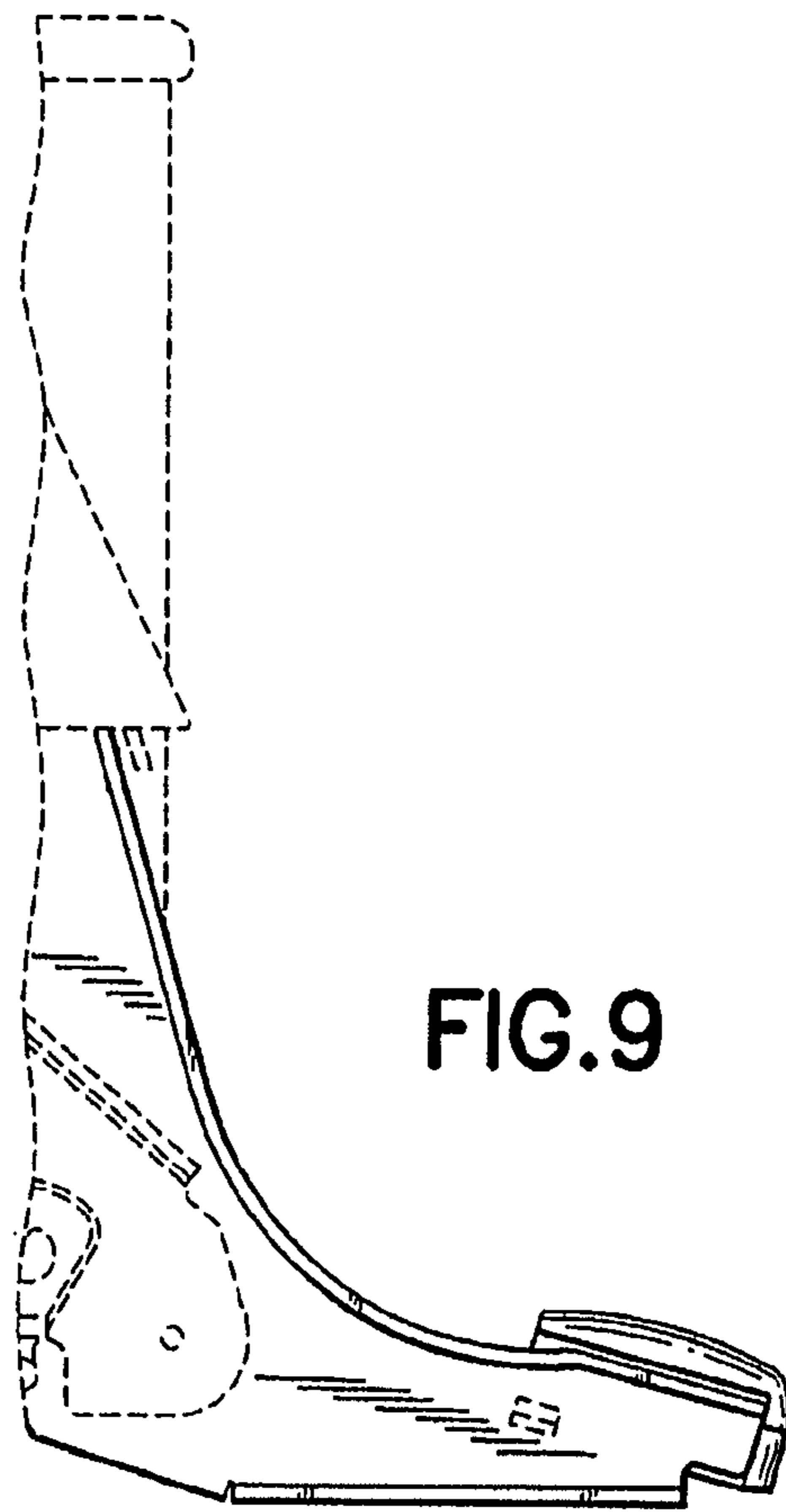


FIG. 9

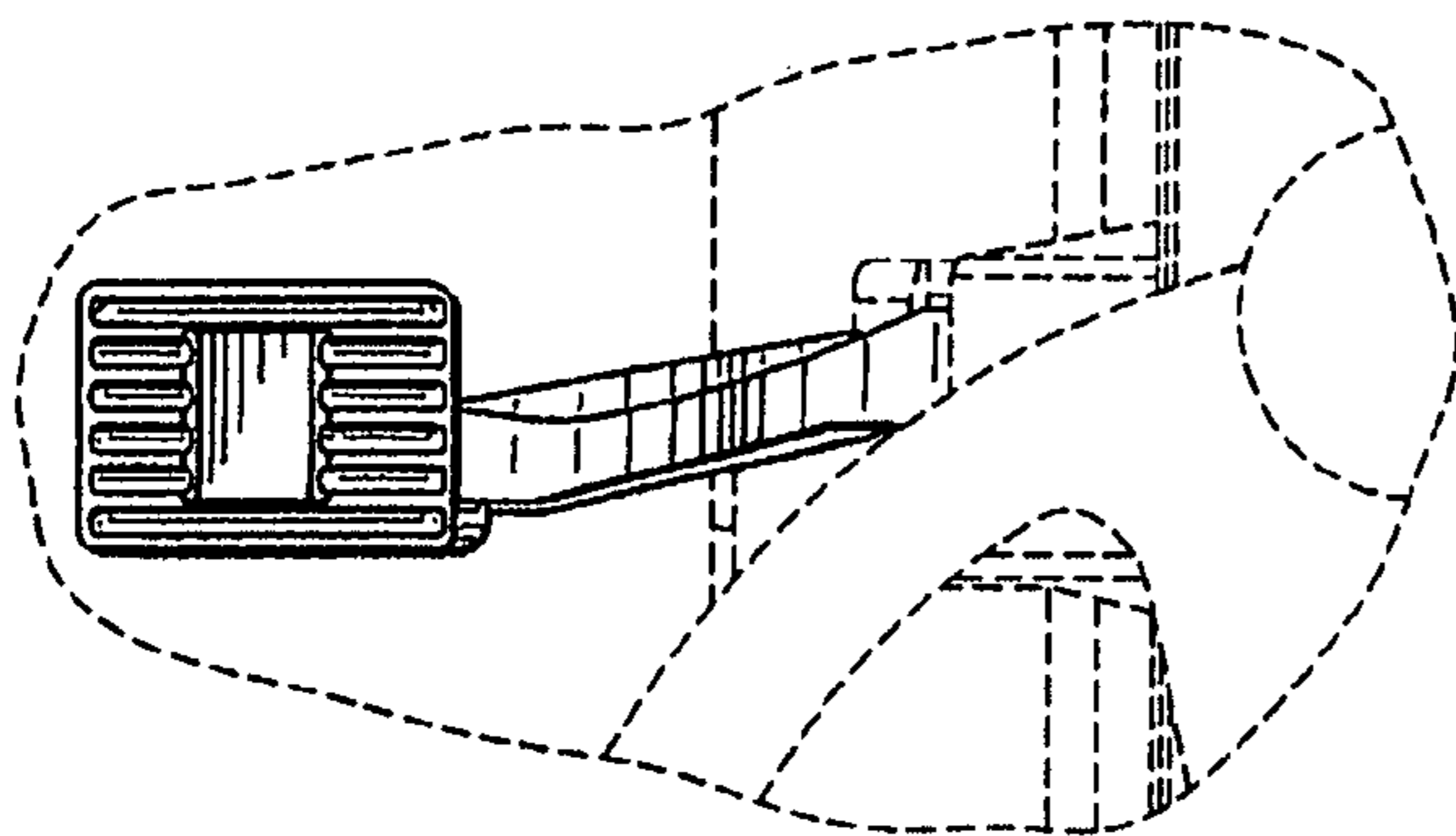


FIG. 10

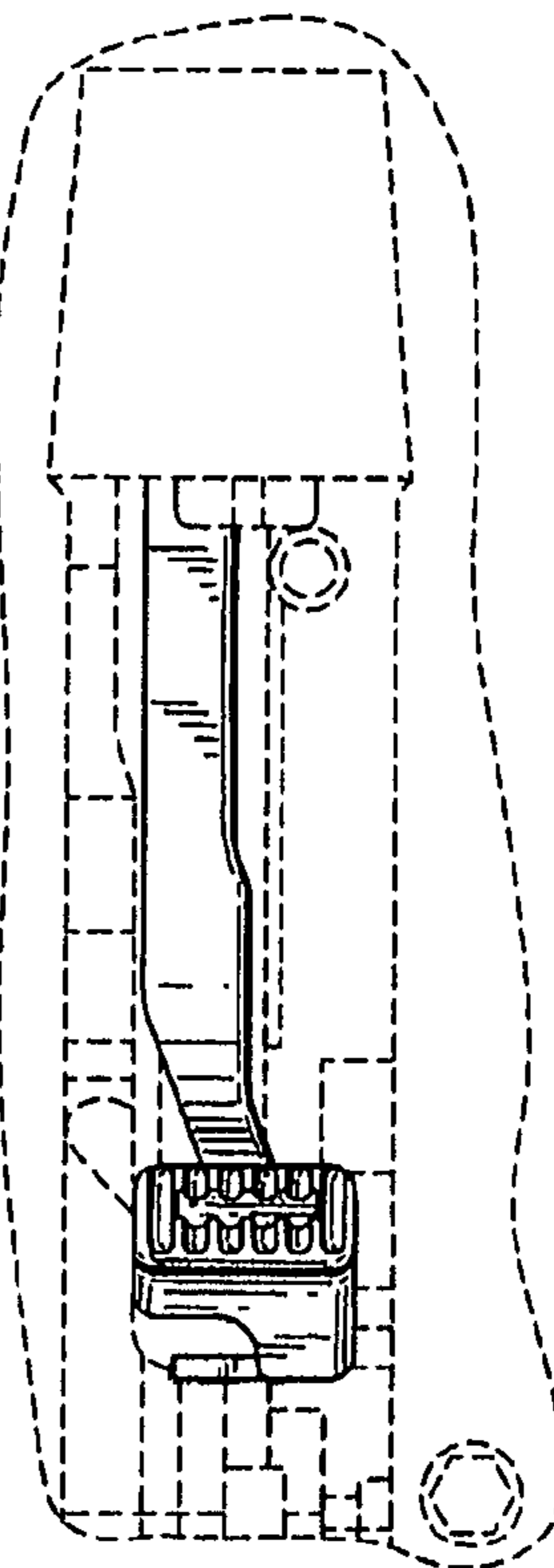


FIG. 11

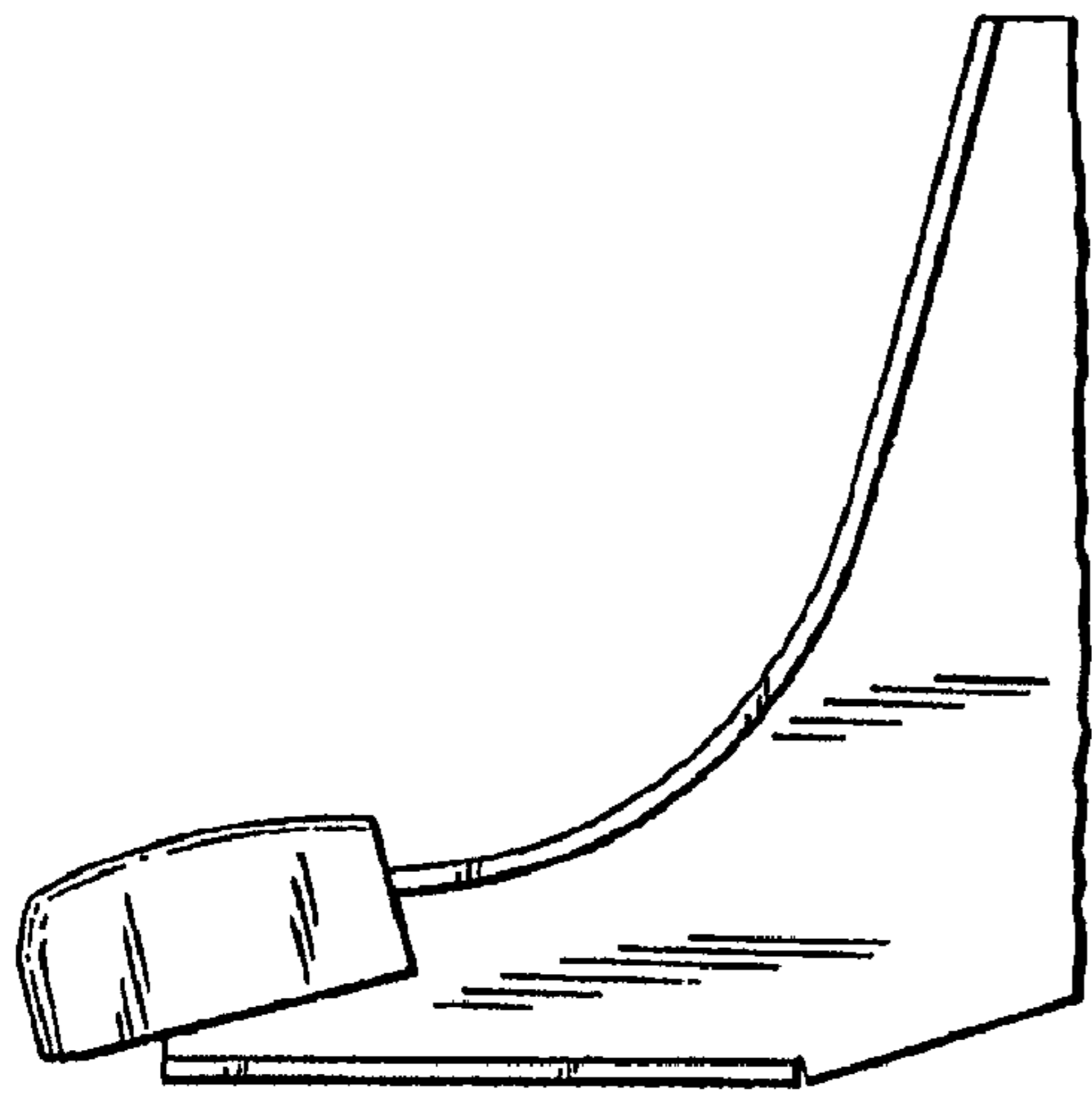


FIG. 12

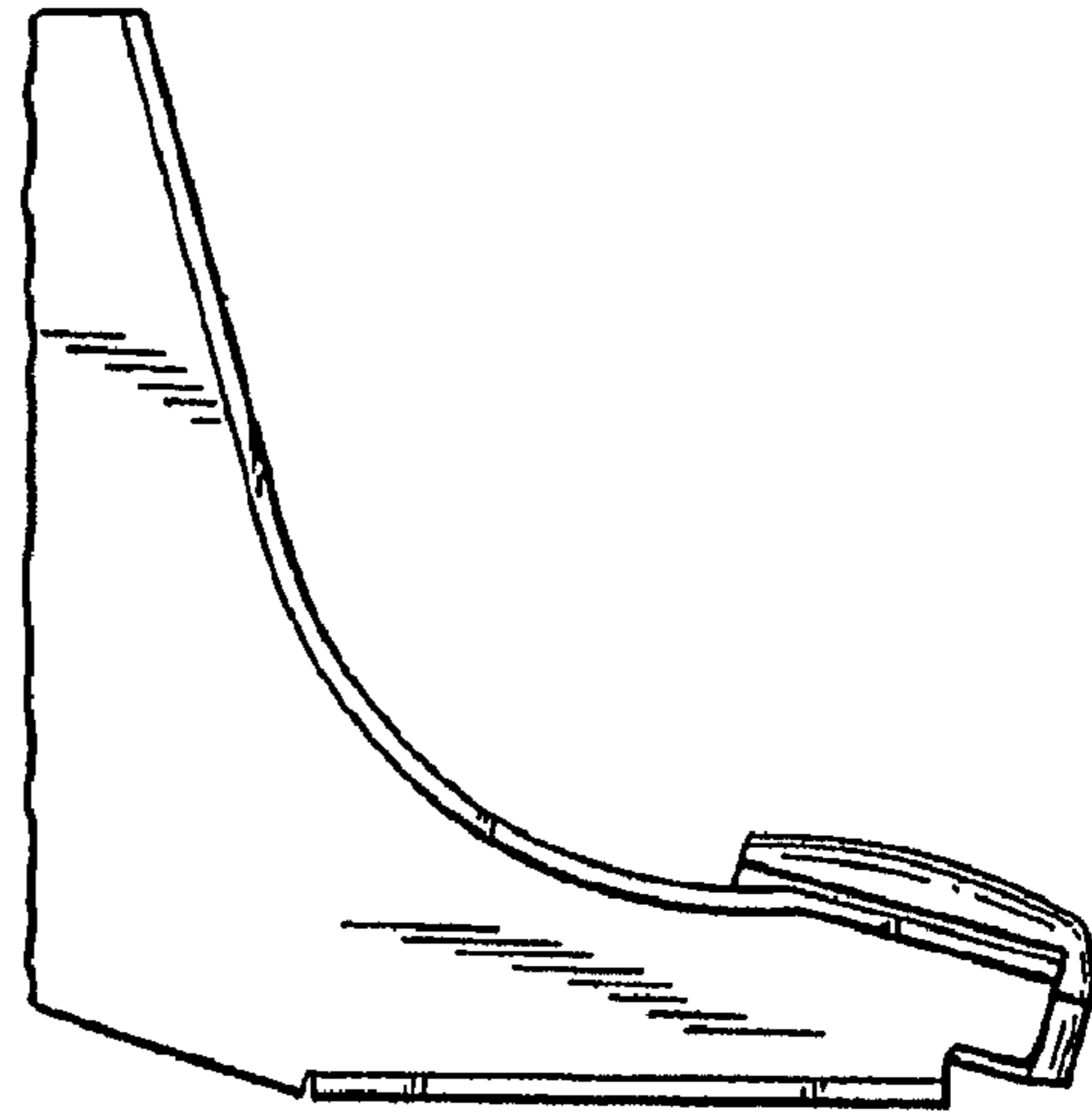


FIG. 13

FIG. 14

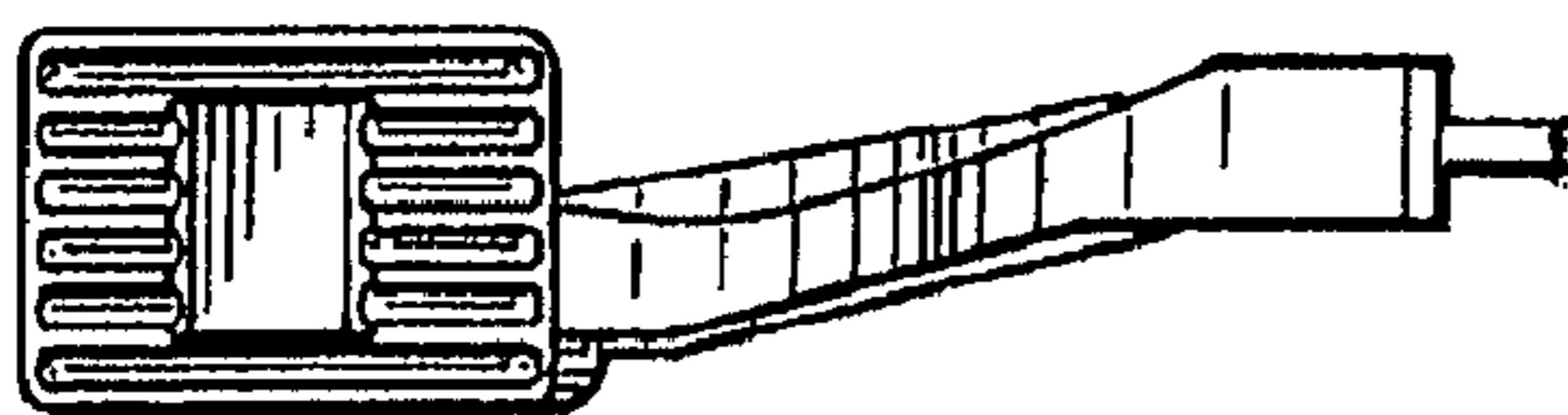


FIG. 15

