

US00D563825S

(12) **United States Design Patent**
Cash

(10) **Patent No.:** **US D563,825 S**
(45) **Date of Patent:** **** Mar. 11, 2008**

(54) **LEVITATING FOOTBALL HELMET**

(76) Inventor: **Phillip Cash**, P.O. Box 1882,
Chatsworth, GA (US) 30705

(**) Term: **14 Years**

(21) Appl. No.: **29/262,014**

(22) Filed: **Jun. 26, 2006**

(51) **LOC (8) Cl.** **11-02**

(52) **U.S. Cl.** **D11/157**

(58) **Field of Classification Search** D11/131,
D11/157, 158, 159, 10, 163, 164; D12/162;
D14/232; D9/451; D7/515; D27/120; 222/175;
2/421

See application file for complete search history.

(56) **References Cited**

U.S. PATENT DOCUMENTS

5,085,434	A *	2/1992	Soto, II	273/138.2
5,724,681	A *	3/1998	Sykes	2/425
D420,670	S *	2/2000	Hernandez et al.	D14/232
D460,441	S *	7/2002	Neil	D14/232
D498,431	S *	11/2004	Ditmars, Jr.	D11/131
2006/0005931	A1 *	1/2006	Sherman	156/584
2006/0150304	A1 *	7/2006	Bentz	2/421
2007/0192944	A1 *	8/2007	Ide et al.	2/410

* cited by examiner

Primary Examiner—Robert M. Spear
Assistant Examiner—George D Kirschbaum

(74) *Attorney, Agent, or Firm*—Stephen J. Stark; Miller & Martin PLLC

(57) **CLAIM**

The ornamental design for a levitating football helmet, as shown and described.

DESCRIPTION

FIG. 1 is a top perspective view of a levitating football helmet embodying my new design;

FIG. 2 is a top elevational view thereof;

FIG. 3 is a front elevational view thereof;

FIG. 4 is a bottom elevational view thereof;

FIG. 5 is a back elevational view thereof; and,

FIG. 6 is a right side elevational view thereof, the left side being a mirror image thereof.

In the drawings, the broken line showing of a display frame and portions of a face mask depicts environmental subject matter and forms no part of the claim.

1 Claim, 3 Drawing Sheets

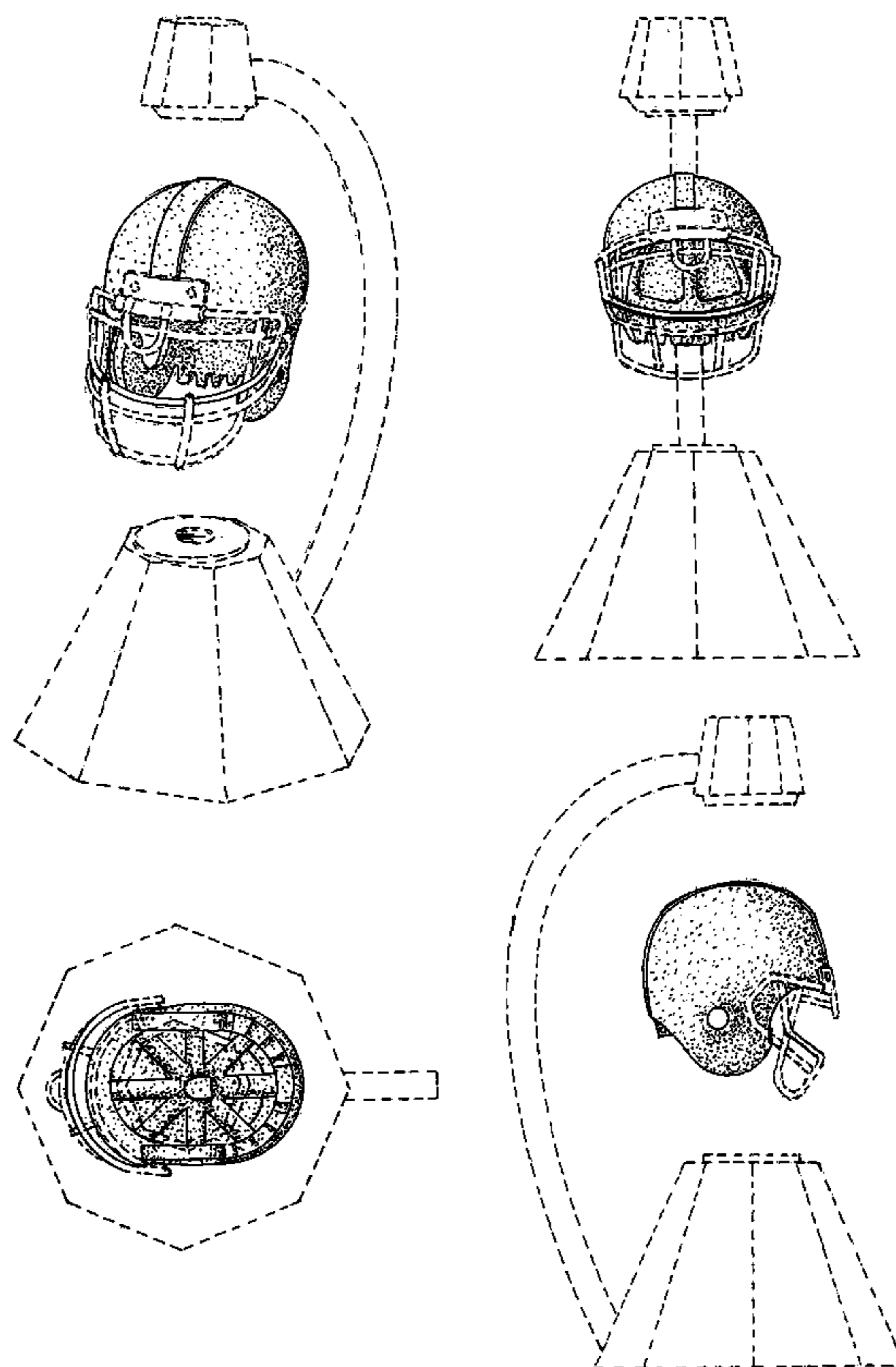


FIG. 1

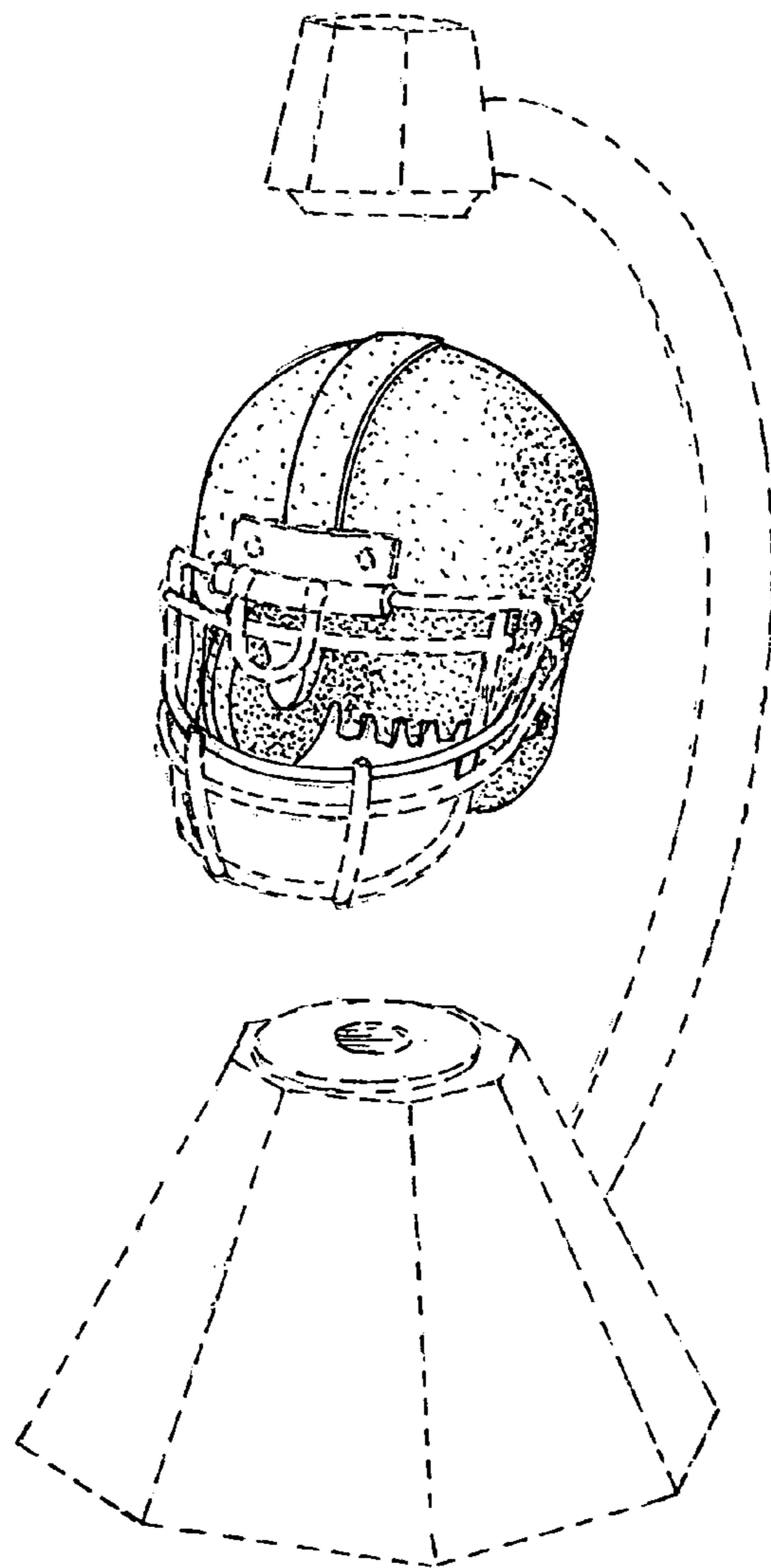
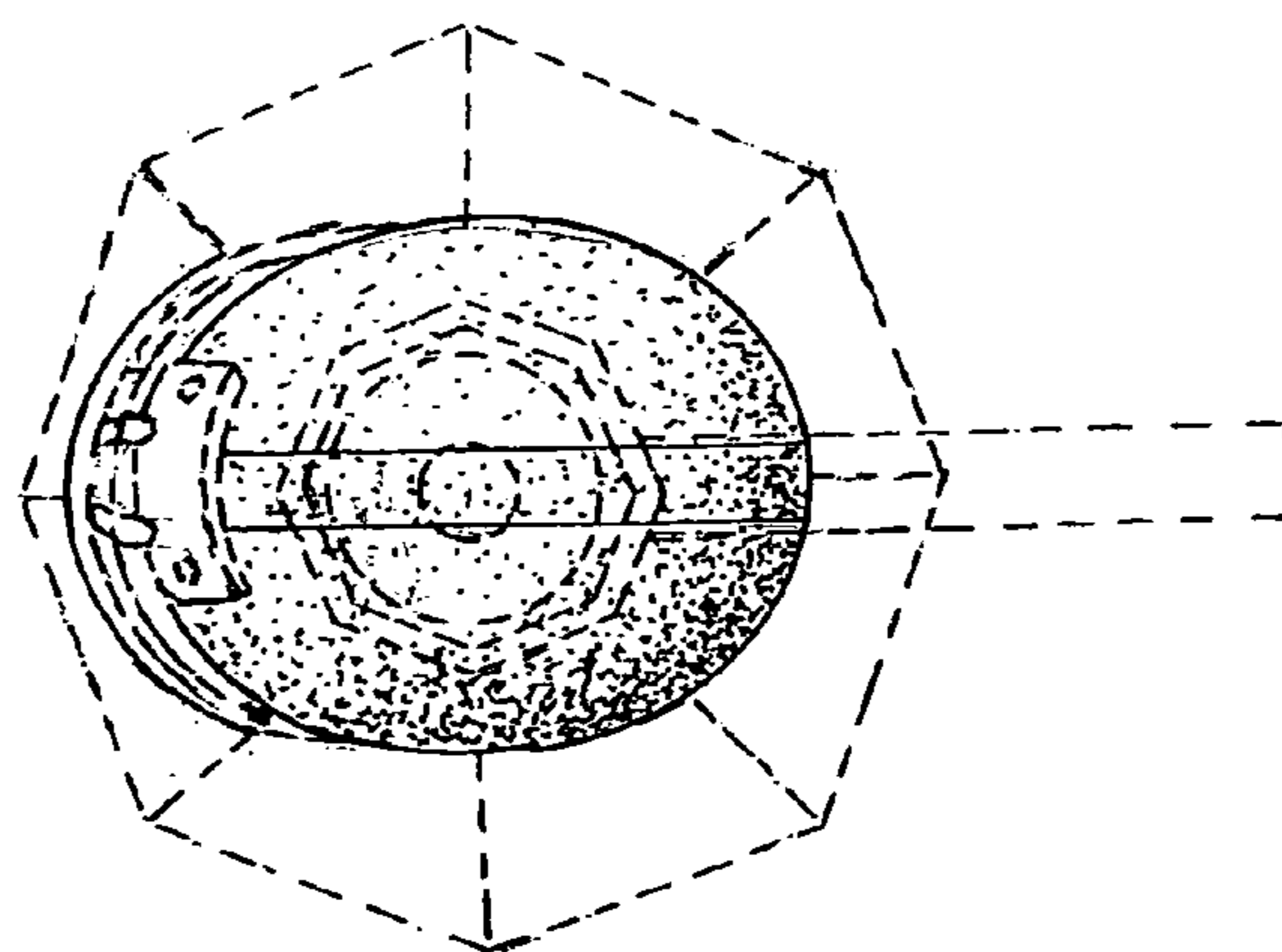


FIG. 2



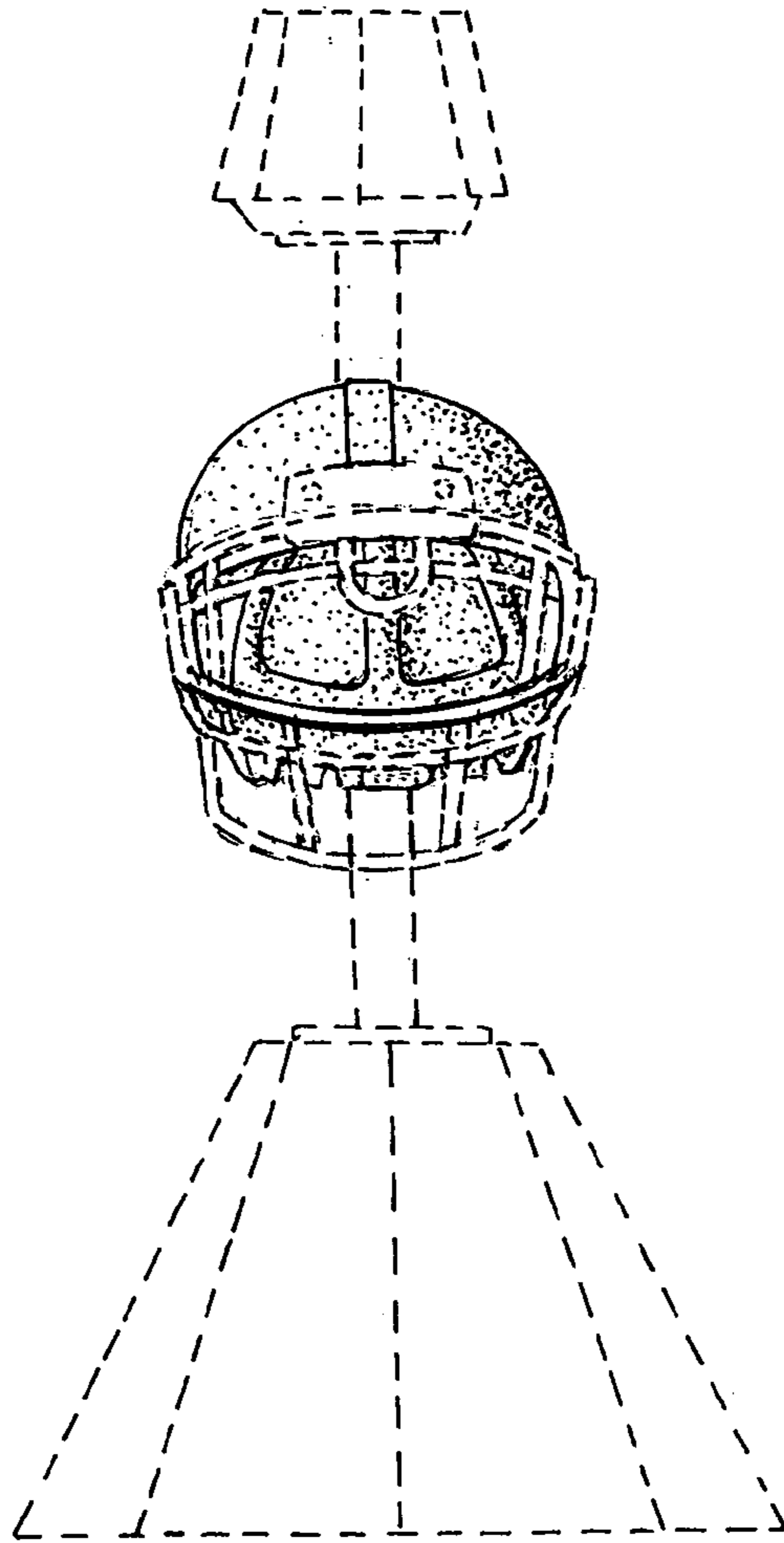


FIG. 3

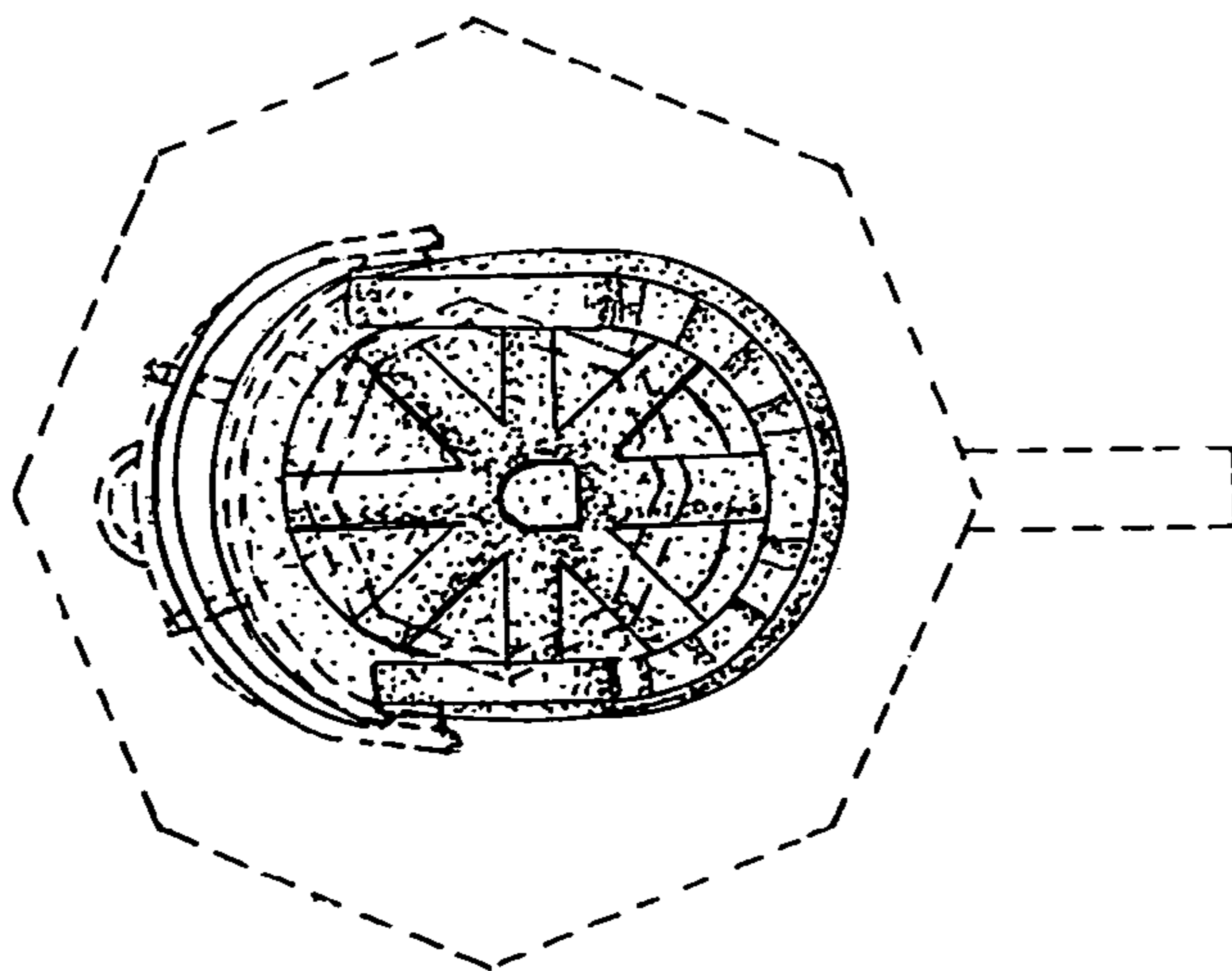


FIG. 4

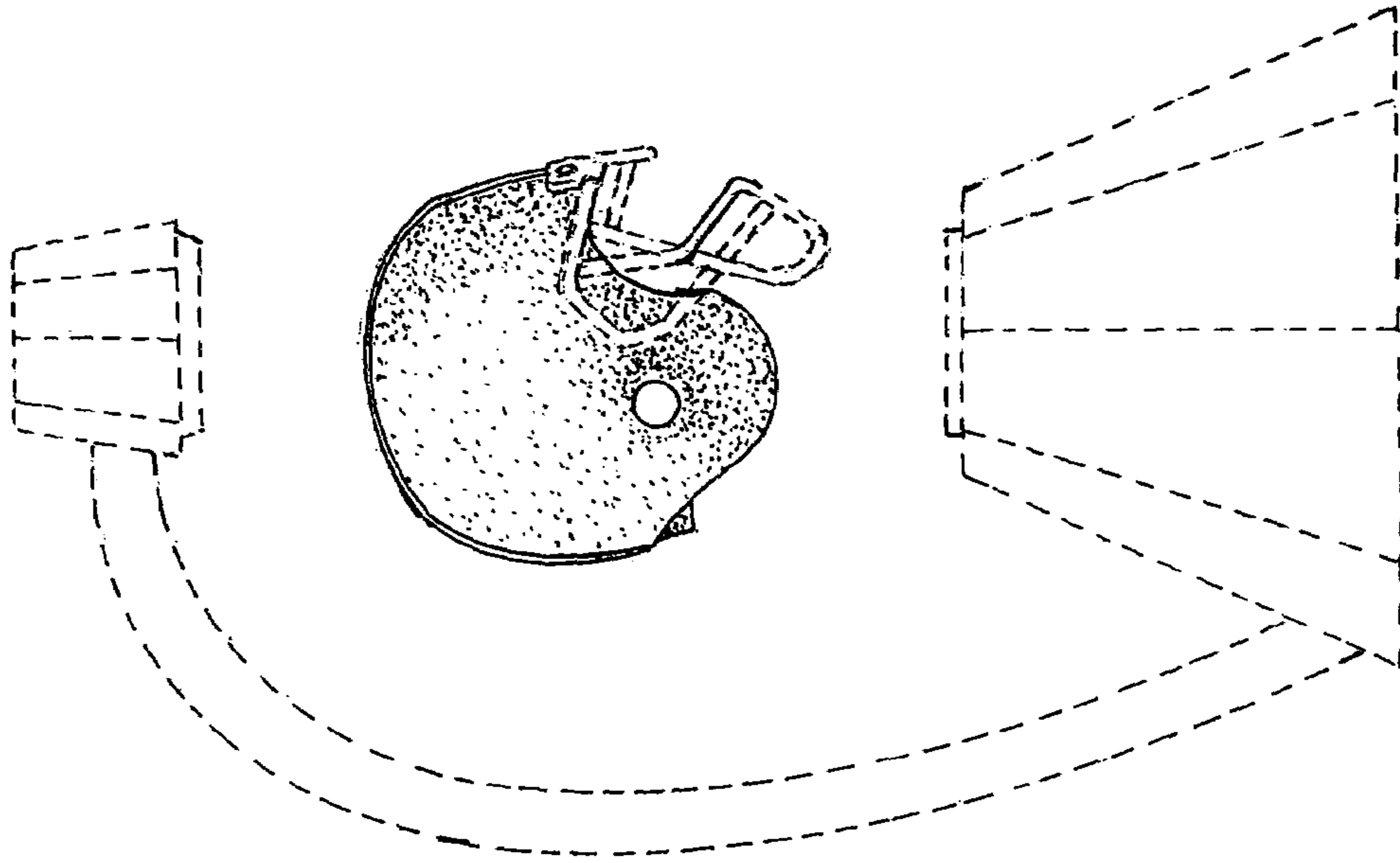


FIG. 5

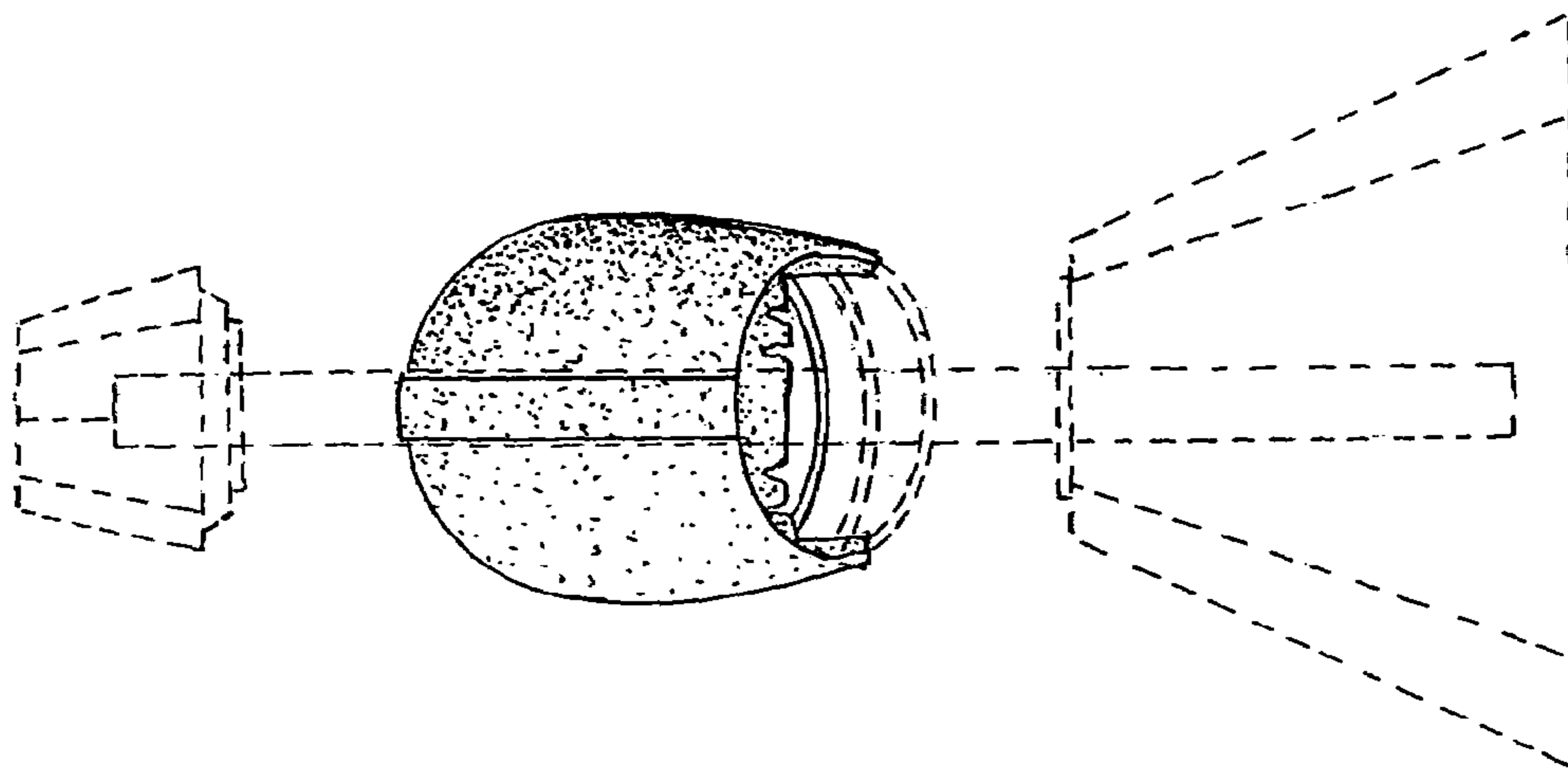


FIG. 6