

US00D563812S

(12) **United States Design Patent**  
**Matsumoto et al.**

(10) **Patent No.:** **US D563,812 S**  
(45) **Date of Patent:** **\*\* Mar. 11, 2008**

(54) **SCALE**

D546,222 S \* 7/2007 Gutmann et al. .... D10/92

(75) Inventors: **Hajime Matsumoto**, Tokyo (JP);  
**Tatsutoshi Kobayakawa**, Tokyo (JP)

\* cited by examiner

(73) Assignee: **Tanita Corporation**, Tokyo (JP)

*Primary Examiner*—Antoine D. Davis

(\*\*) Term: **14 Years**

(74) *Attorney, Agent, or Firm*—Buchanan Ingersoll & Rooney, PC

(21) Appl. No.: **29/274,423**

(57) **CLAIM**

(22) Filed: **Apr. 24, 2007**

The ornamental design for a scale, as shown and described.

(30) **Foreign Application Priority Data**

Nov. 9, 2006 (JP) ..... 2006-030752

**DESCRIPTION**

(51) **LOC (8) Cl.** ..... **10-04**

(52) **U.S. Cl.** ..... **D10/92**

(58) **Field of Classification Search** ..... D10/91,  
D10/92; 177/25.12–25.18, 238–245, 177,  
177/126, 1, 181, 210 R, 210 C, 25, 30, 127,  
177/DIG. 3; 600/506, 547

See application file for complete search history.

FIG. 1 is a top, front and right side perspective view of a scale showing our new design;

FIG. 2 is a front elevational view thereof;

FIG. 3 is a rear elevational thereof;

FIG. 4 is a right side elevational view thereof;

FIG. 5 is a left side elevational view thereof;

FIG. 6 is a top plan view thereof; and,

FIG. 7 is a bottom view thereof.

(56) **References Cited**

**U.S. PATENT DOCUMENTS**

D528,936 S \* 9/2006 Kuskovsky et al. .... D10/92

**1 Claim, 3 Drawing Sheets**

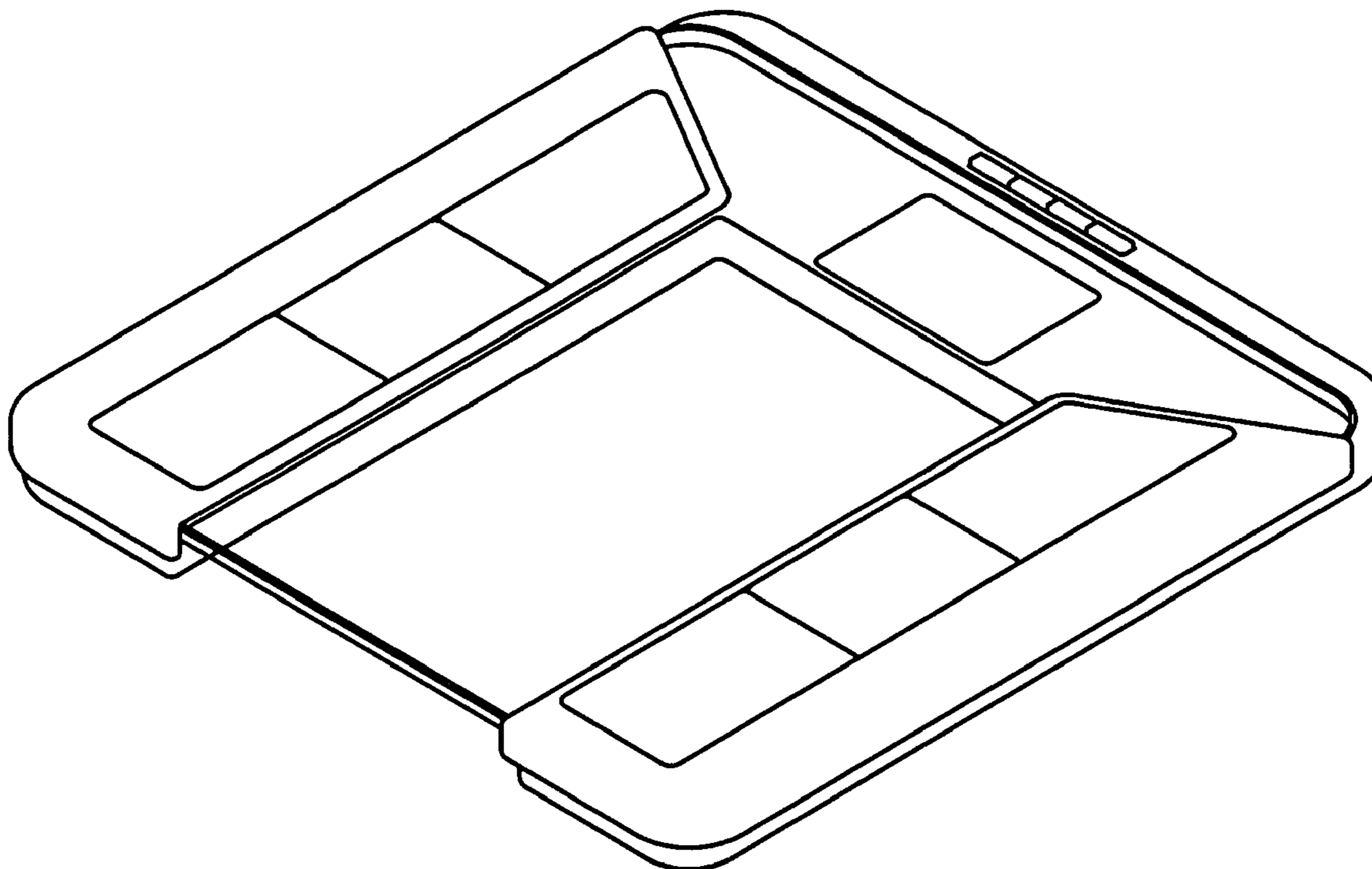


Fig. 1

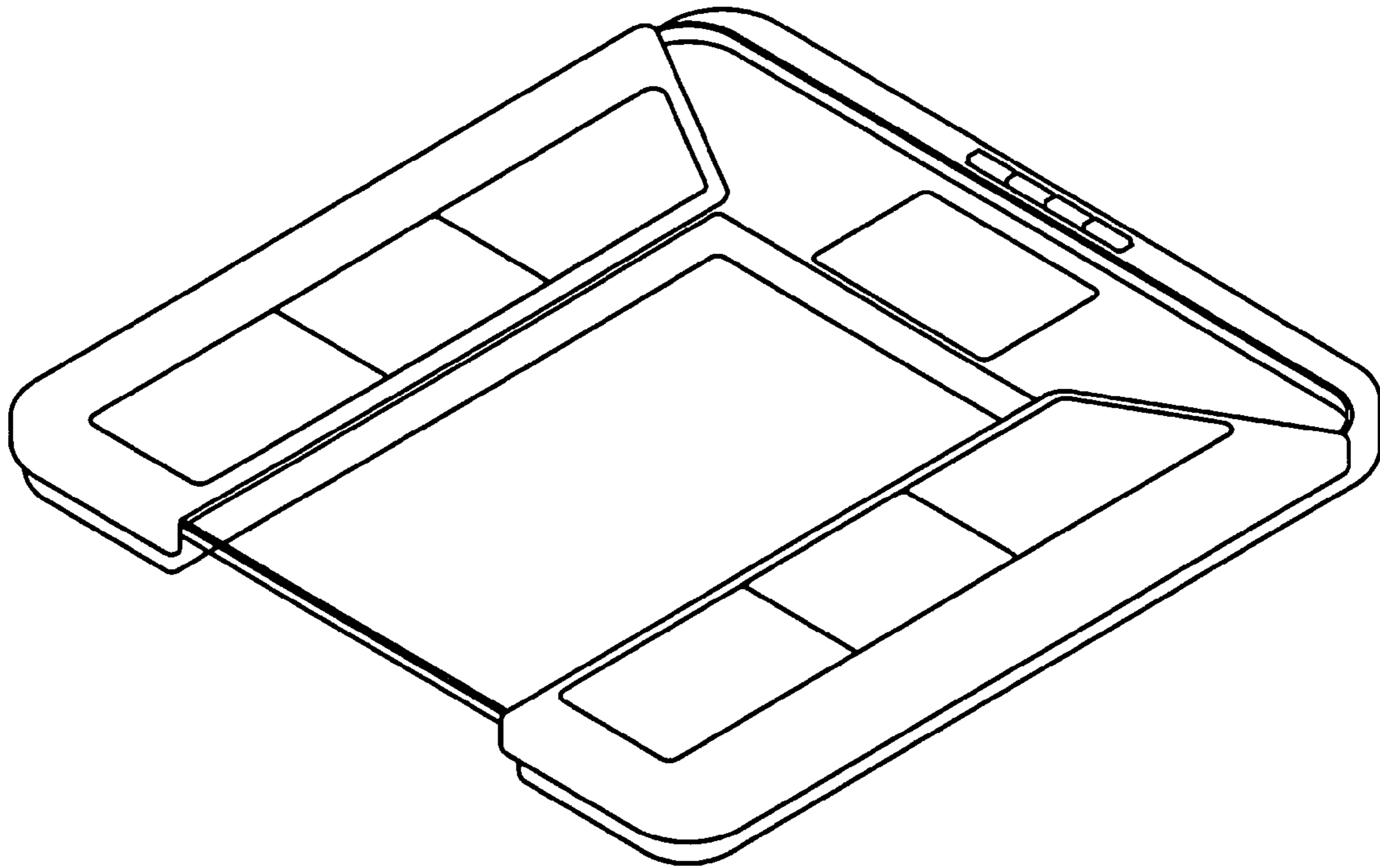


Fig. 2

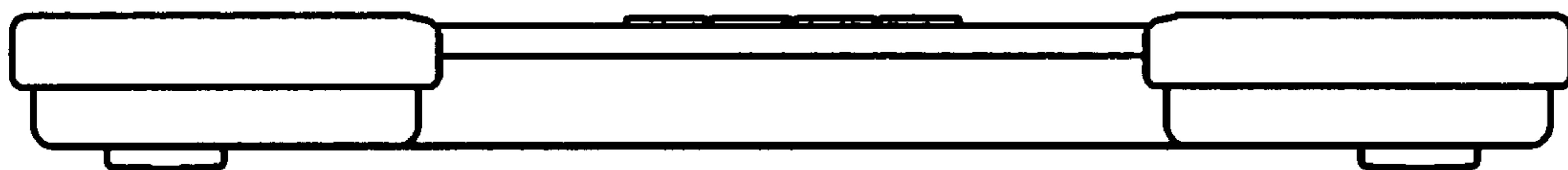


Fig. 3



Fig. 4

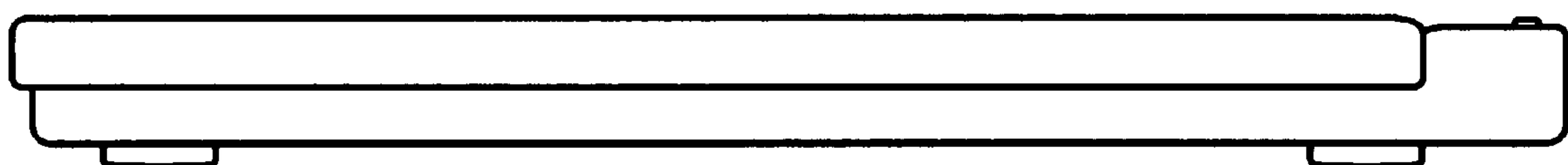


Fig. 5

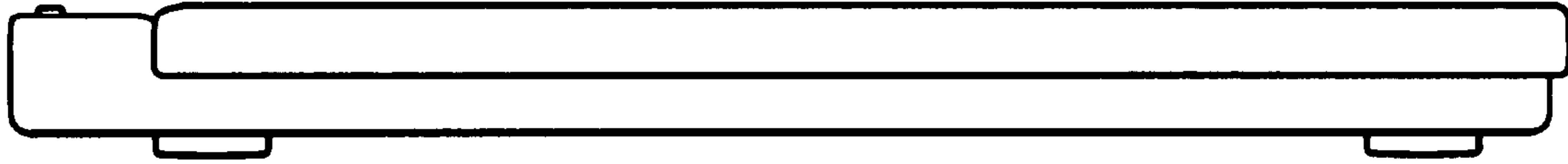


Fig. 6

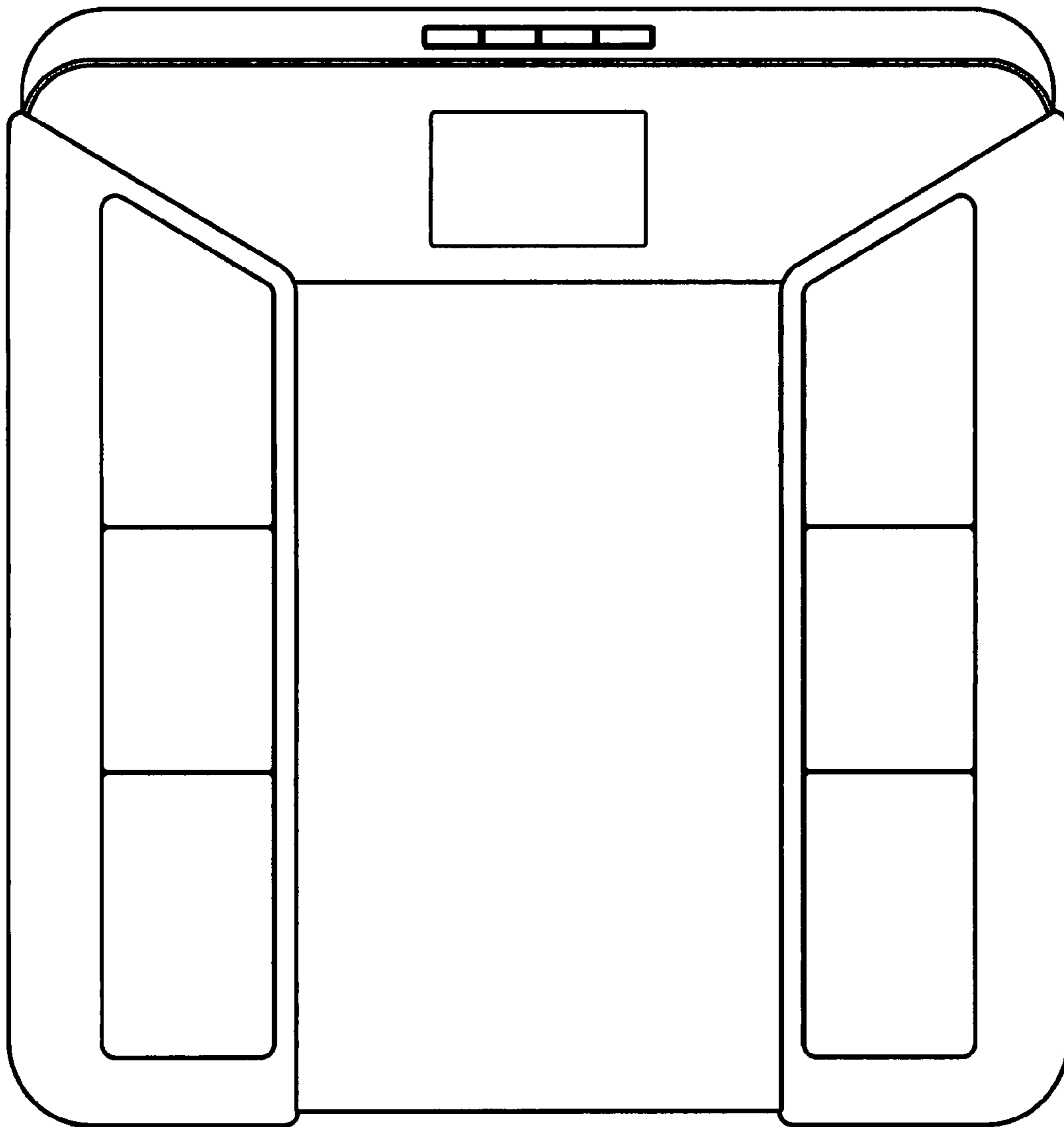


Fig. 7

