



US00D563811S

(12) **United States Design Patent**
Gershfeld

(10) **Patent No.:** **US D563,811 S**

(45) **Date of Patent:** **** Mar. 11, 2008**

(54) **DEVICE FOR TESTING VIDEO SIGNALS**

6,139,369 A * 10/2000 Arwidi et al. 439/638
D556,067 S * 11/2007 Fugman et al. D10/78

(76) Inventor: **Jack Gershfeld**, 615 Del Rio Way,
Fullerton, CA (US) 92835

* cited by examiner

(**) Term: **14 Years**

Primary Examiner—Antoine D. Davis

(74) *Attorney, Agent, or Firm*—Vladimir Khiterer

(21) Appl. No.: **29/278,964**

(57) **CLAIM**

(22) Filed: **Apr. 16, 2007**

The ornamental design for a device for testing video signals,
as shown and described.

(51) **LOC (8) Cl.** **10-04**

(52) **U.S. Cl.** **D10/78**

(58) **Field of Classification Search** D10/75,
D10/78; D13/133–136, 137.1–137.4, 138.1–138.2,
D13/139.1–139.8; 200/2; 324/74, 124,
324/127, 66, 538, 539; 439/188, 578, 579,
439/346, 912, 638, 944, 76.1, 675, 552, 554,
439/557, 350, 351, 352, 353–358

DESCRIPTION

FIG. 1 is a perspective view of a device for testing video signals, said perspective view showing a front view, a left side view and a top view thereof.

FIG. 2 is a left side elevational view thereof, wherein a right side view is a mirror image of the left side view; and,

FIG. 3 is a front elevational view thereof.

See application file for complete search history.

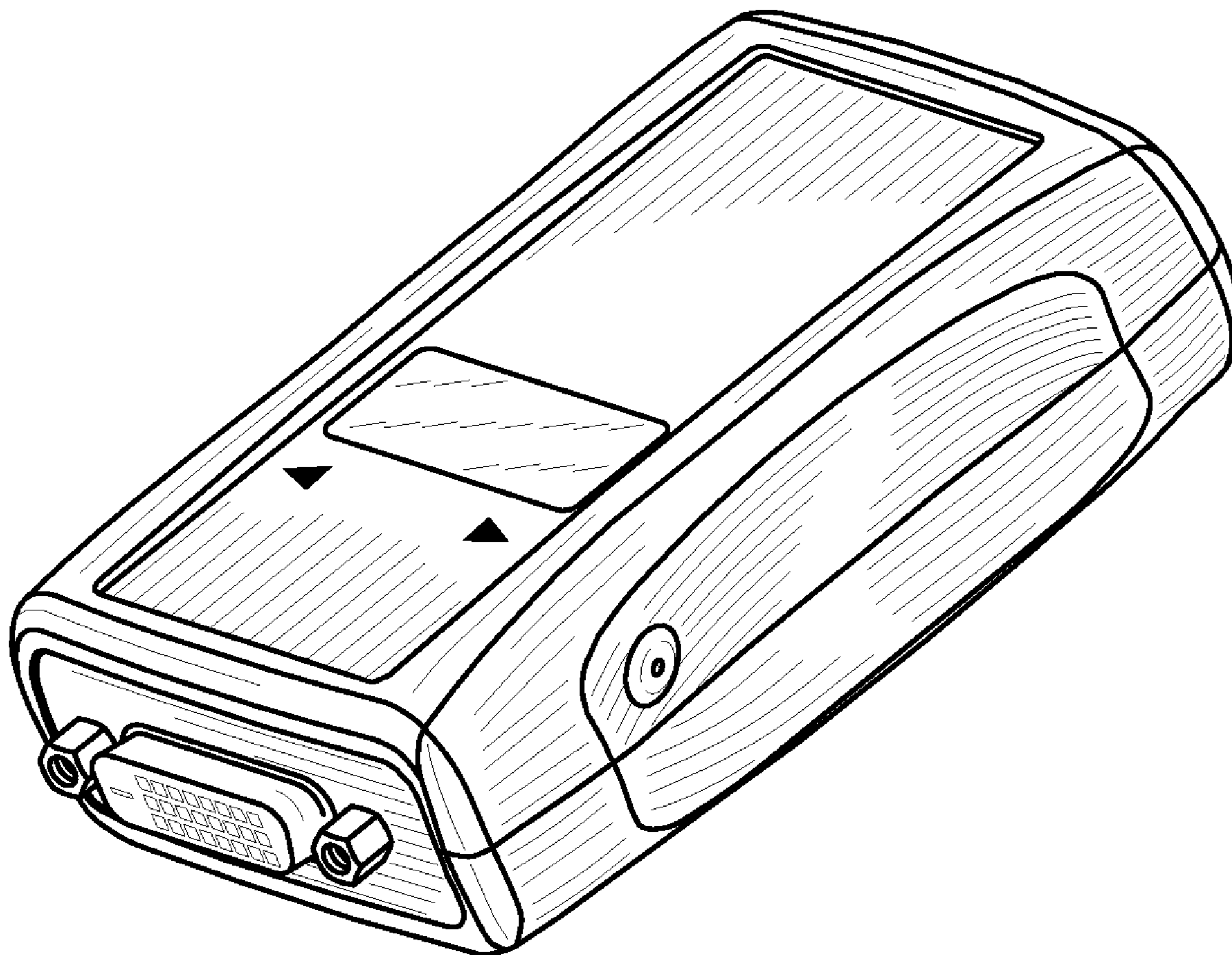
The appearance of a bottom and a back forms no part of the claimed design.

(56) **References Cited**

U.S. PATENT DOCUMENTS

5,594,347 A * 1/1997 Louwagie et al. 324/539

1 Claim, 3 Drawing Sheets



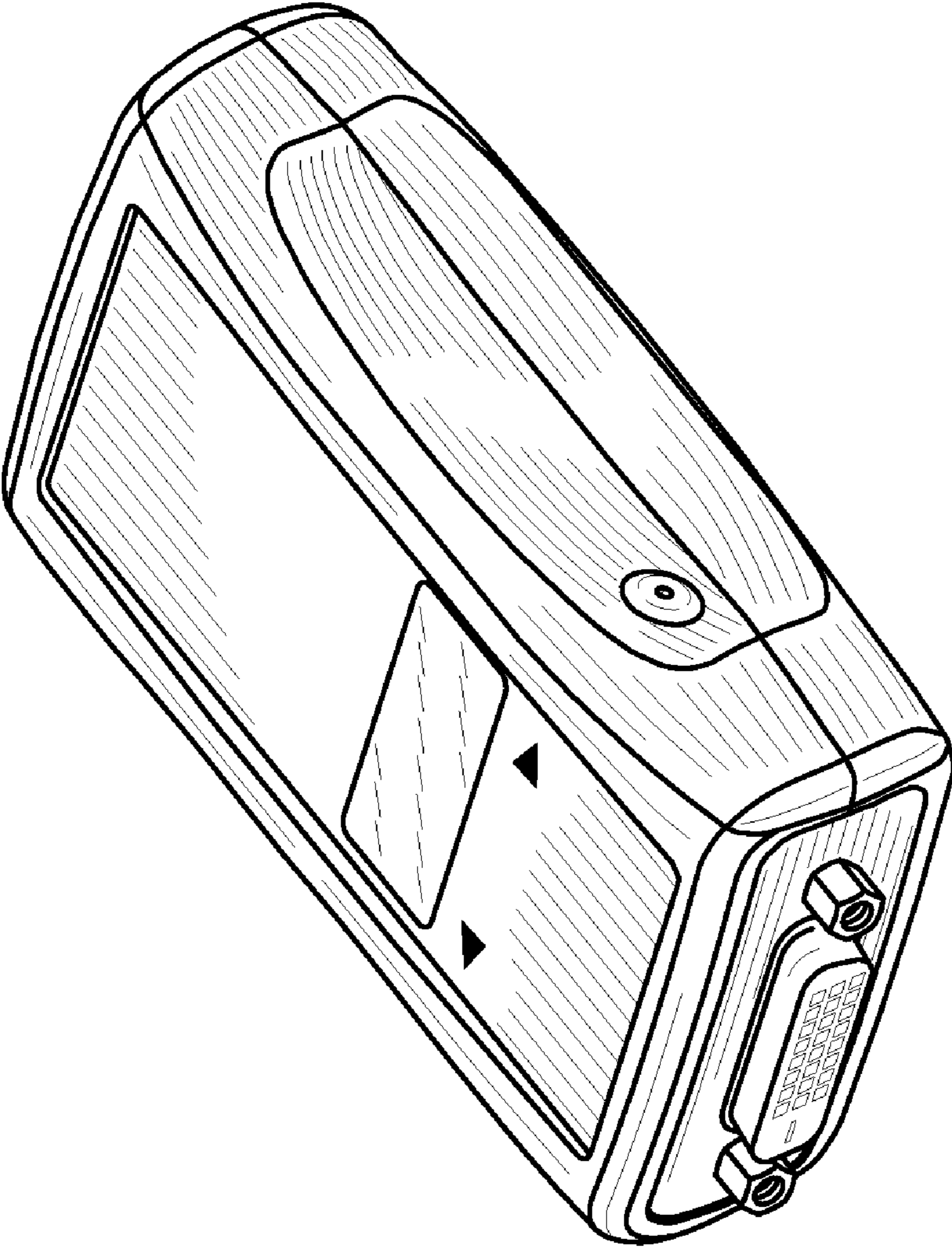


FIG.1

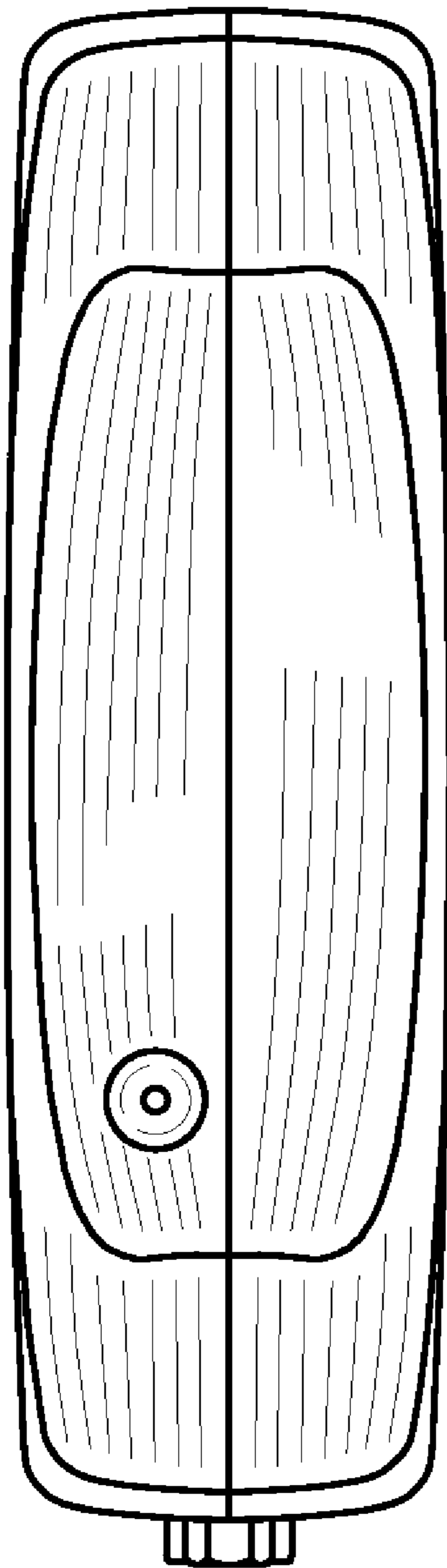


FIG.2

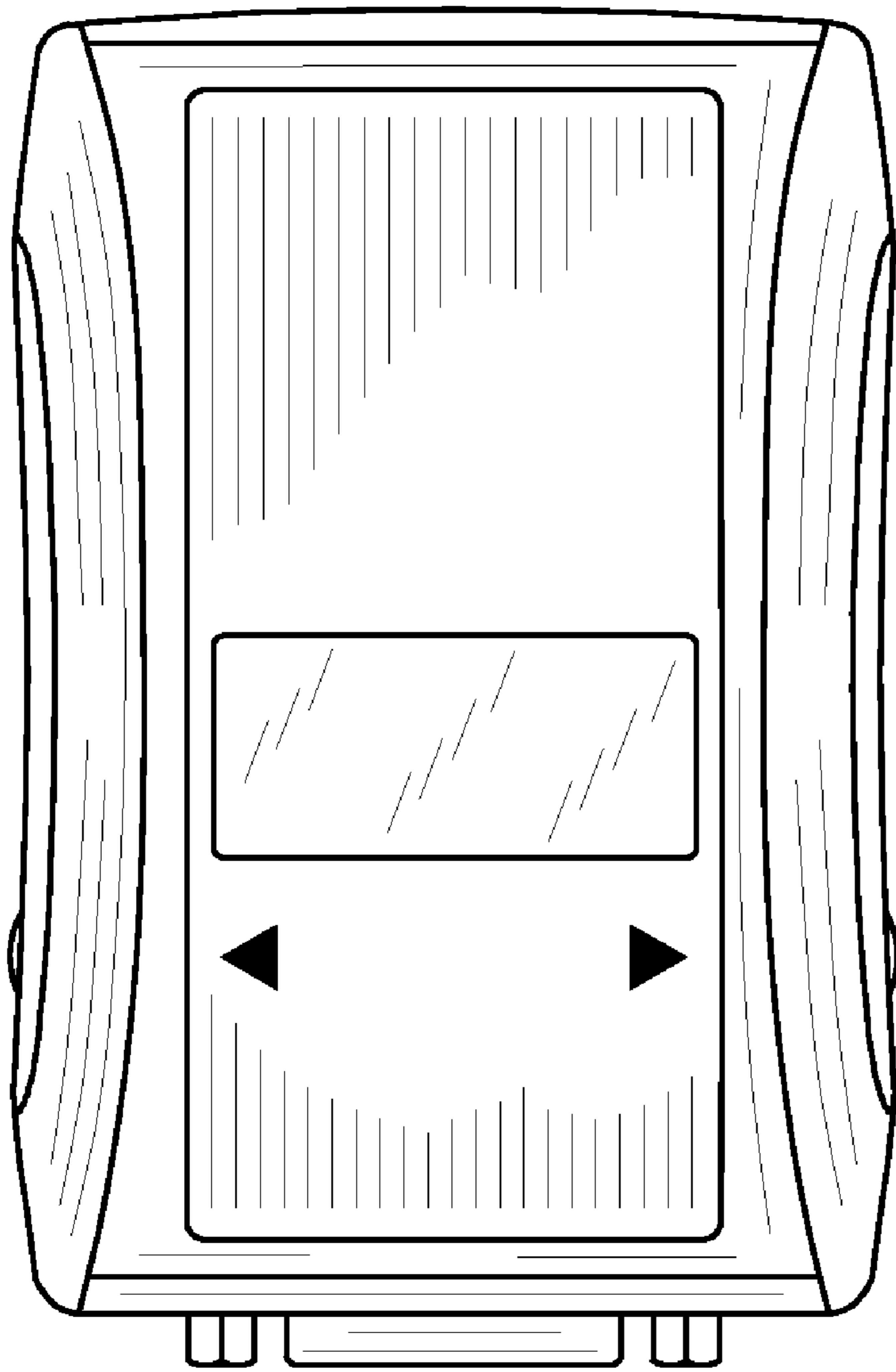


FIG.3