



US00D563808S

(12) **United States Design Patent**  
**Schwartz et al.**

(10) **Patent No.: US D563,808 S**

(45) **Date of Patent: \*\* Mar. 11, 2008**

(54) **I-BEAM SPIRIT LEVEL**

(75) Inventors: **Mordechai Schwartz**, Shimshit (IL);  
**Amy Levinson**, Upper Galilee (IL)

(73) Assignee: **Kapro Industries, Ltd.**, Hakarem (IL)

(\*\*) Term: **14 Years**

(21) Appl. No.: **29/287,208**

(22) Filed: **Jul. 10, 2007**

**Related U.S. Application Data**

(62) Division of application No. 29/258,945, filed on May 1, 2006, now Pat. No. Des. 546,214.

(30) **Foreign Application Priority Data**

Nov. 3, 2005 (IL) ..... 41569  
Nov. 3, 2005 (IL) ..... 41570

(51) **LOC (8) Cl.** ..... **10-04**

(52) **U.S. Cl.** ..... **D10/69**

(58) **Field of Classification Search** ..... D10/69,  
D10/74; 33/365, 366.11-366.27, 367-391

See application file for complete search history.

(56) **References Cited**

U.S. PATENT DOCUMENTS

7,228,637 B2\* 6/2007 Kim ..... 33/451

\* cited by examiner

*Primary Examiner*—Antoine D. Davis

(74) *Attorney, Agent, or Firm*—Harold L. Novick; The Nath Law Group

(57) **CLAIM**

The ornamental design for an I-beam spirit level, as shown and described.

**DESCRIPTION**

FIG. 1 is a top perspective view of an I-beam spirit level;

FIG. 2 is a front elevation view thereof;

FIG. 3 is a left side elevation view thereof;

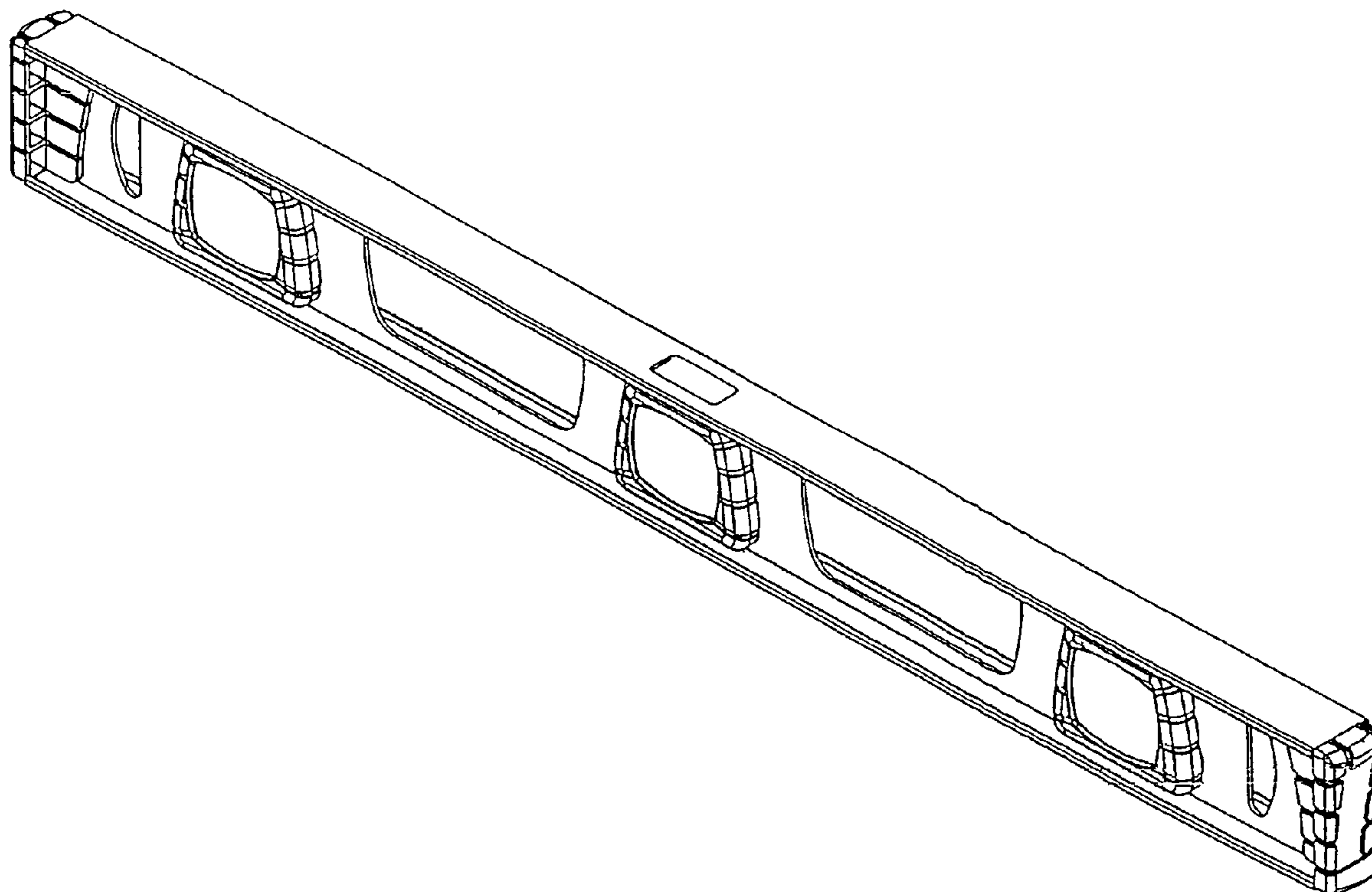
FIG. 4 is a top plan view thereof;

FIG. 5 is a bottom plan view thereof;

FIG. 6 is a rear elevation view thereof; and,

FIG. 7 is a right side elevation view thereof.

**1 Claim, 3 Drawing Sheets**



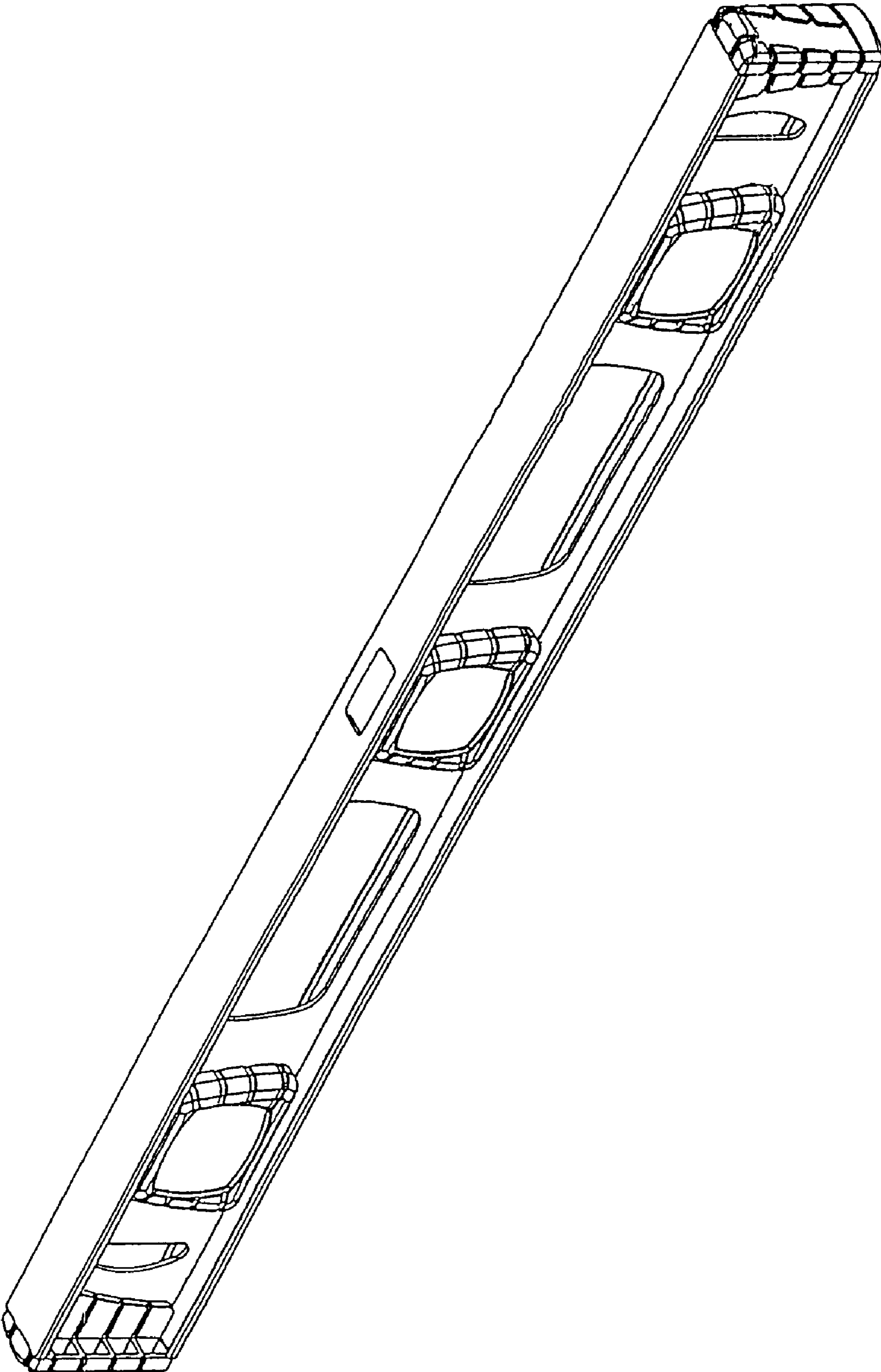


FIG. 1



FIG. 3

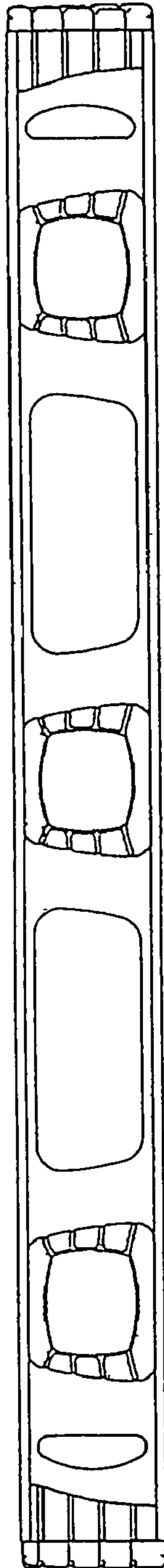


FIG. 2



FIG. 4

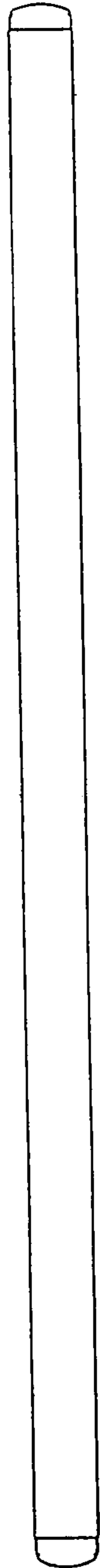


FIG. 5

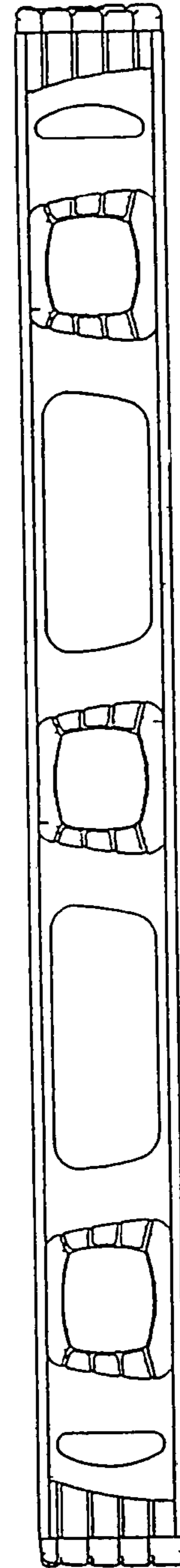


FIG. 6



FIG. 7