



US00D563807S

(12) **United States Design Patent**
Jeon

(10) **Patent No.:** **US D563,807 S**

(45) **Date of Patent:** **** Mar. 11, 2008**

(54) **CAR NAVIGATION TERMINAL**

(75) Inventor: **Byung Lok Jeon**, Seoul (KR)

(73) Assignee: **LG Electronics Inc.**, Seoul (KR)

(**) Term: **14 Years**

(21) Appl. No.: **29/287,471**

(22) Filed: **Aug. 10, 2007**

(30) **Foreign Application Priority Data**

Feb. 21, 2007 (KR) 30-2007-0007778

(51) **LOC (8) Cl.** **10-04**

(52) **U.S. Cl.** **D10/65**

(58) **Field of Classification Search** D10/65;
342/351, 357.06-567.13; 343/702; 345/87,
345/104, 133, 156, 168, 173, 901-905, 180,
345/184, 315, 739, 444, 499; 701/206-209,
701/213, 214

See application file for complete search history.

(56) **References Cited**

U.S. PATENT DOCUMENTS

D467,512 S * 12/2002 Miyazaki D10/65
D506,937 S * 7/2005 Lee et al. D10/65

D514,003 S * 1/2006 Kim D10/65
D540,203 S * 4/2007 Jeon D10/65
D541,682 S * 5/2007 Uno D10/65
D541,683 S * 5/2007 Shiono D10/65

* cited by examiner

Primary Examiner—Antoine D. Davis

(74) *Attorney, Agent, or Firm*—Birch, Stewart, Kolasch & Birch, LLP

(57) **CLAIM**

The ornamental design for a car navigation terminal, as shown and described.

DESCRIPTION

FIG. 1 is a front, right perspective of the car navigation terminal showing my new design;

FIG. 2 is a front view thereof;

FIG. 3 is a rear view thereof;

FIG. 4 is a left side view thereof;

FIG. 5 is a right side view thereof;

FIG. 6 is a top plan view thereof; and,

FIG. 7 is a bottom plan view thereof.

1 Claim, 3 Drawing Sheets

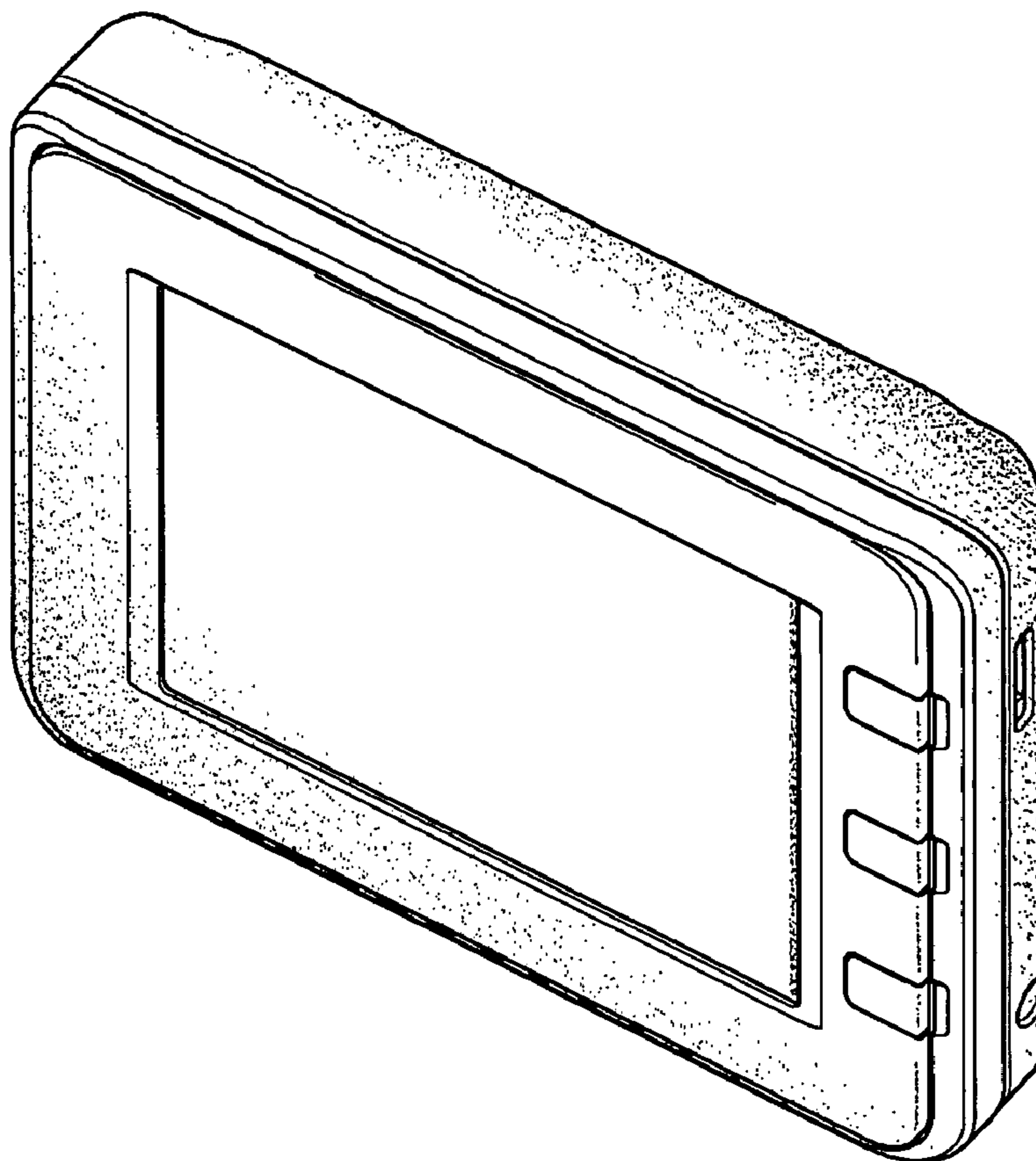


FIG. 1

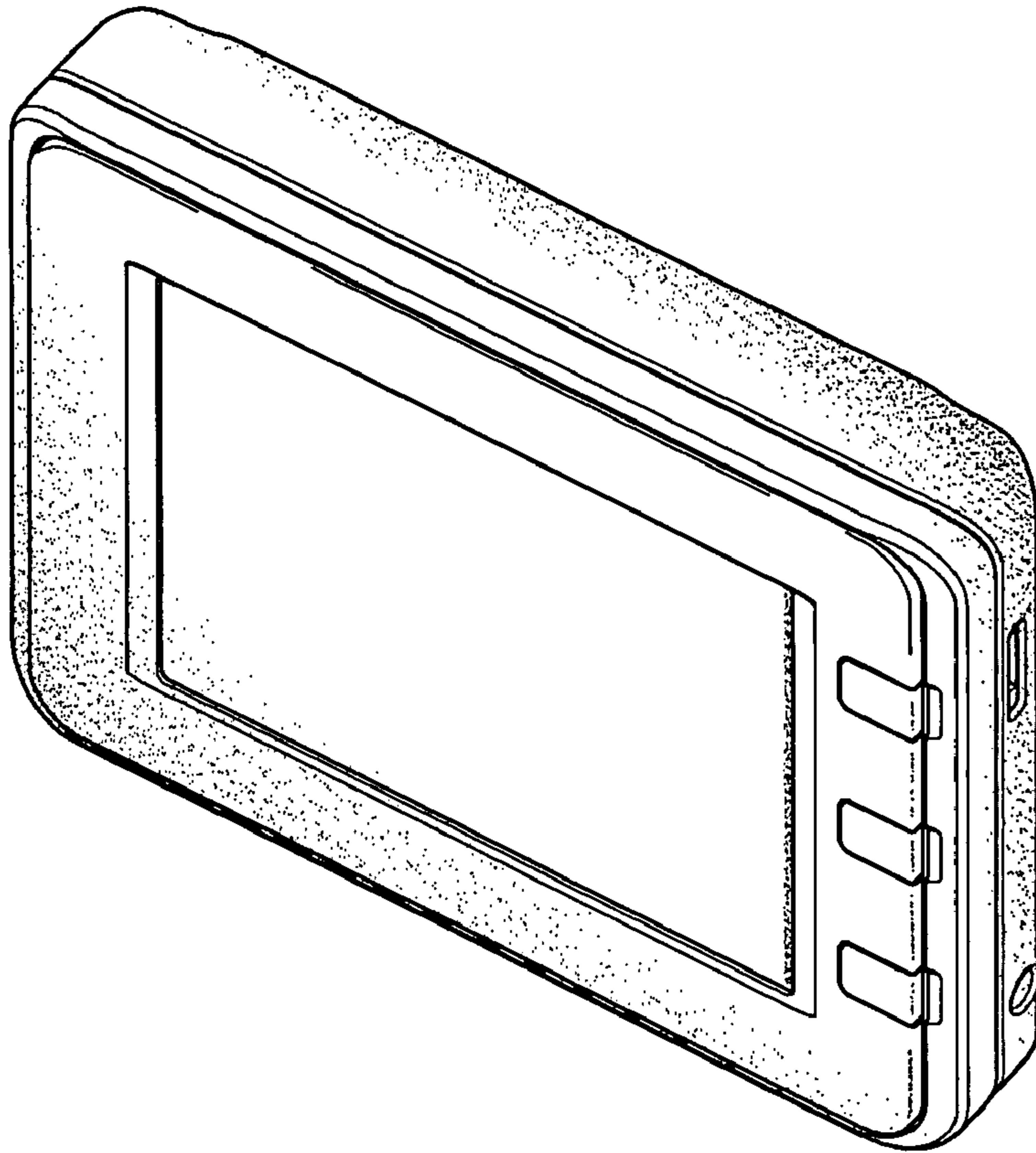


FIG. 2

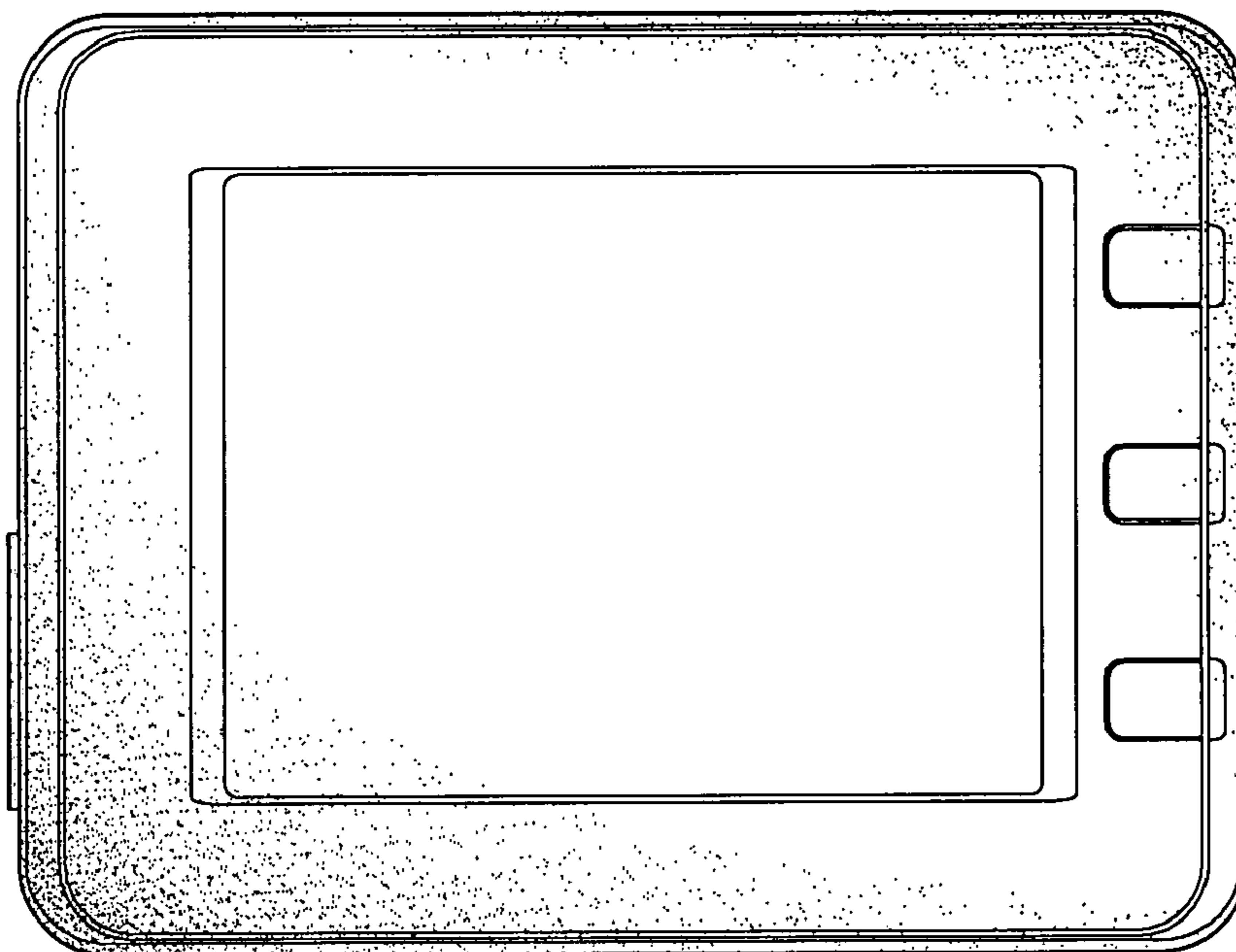


FIG. 3

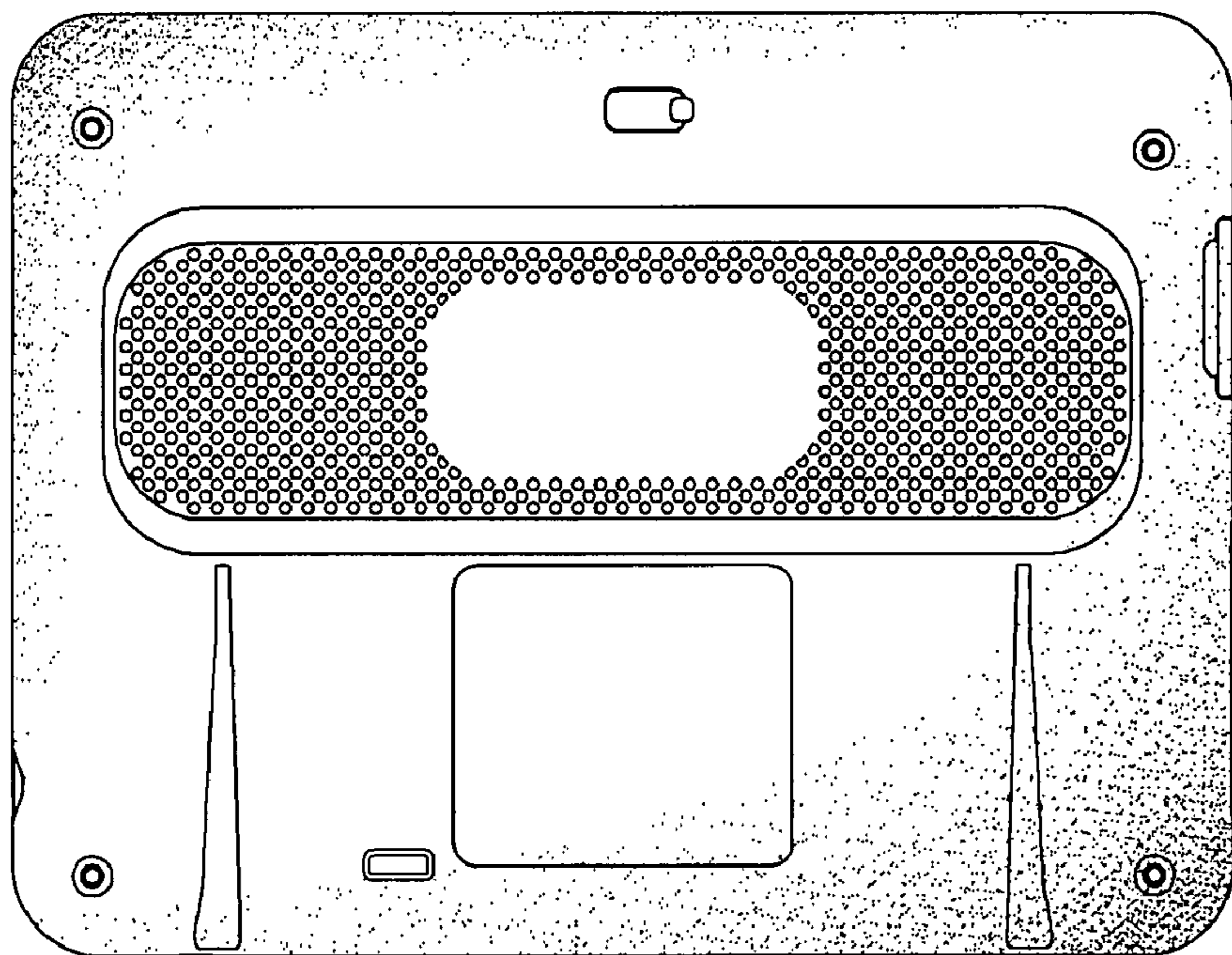


FIG. 4

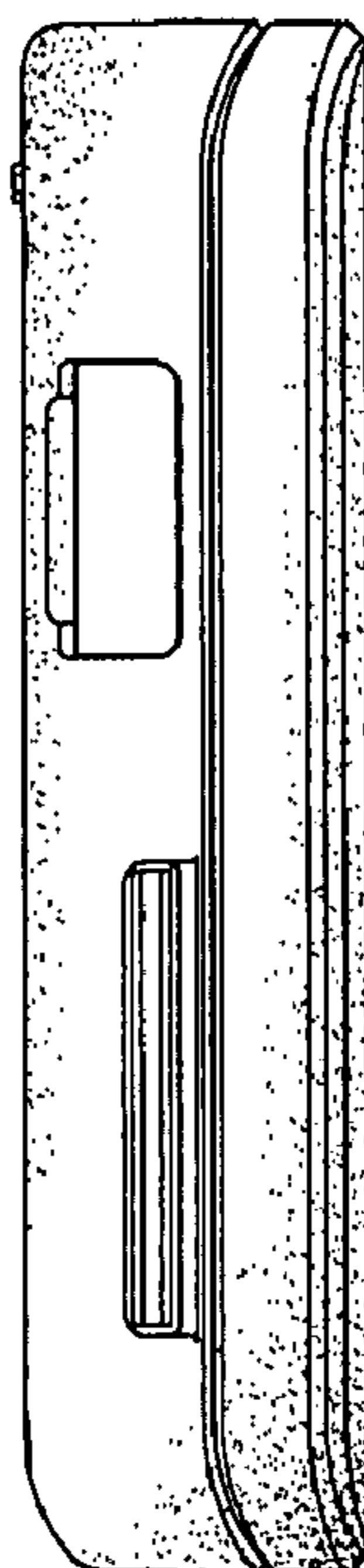


FIG. 5



FIG. 6



FIG. 7

