



US00D563806S

(12) **United States Design Patent**
Jeon

(10) **Patent No.:** **US D563,806 S**
(45) **Date of Patent:** **** Mar. 11, 2008**

- (54) **CAR NAVIGATION TERMINAL**
- (75) Inventor: **Byung Lok Jeon**, Seoul (KR)
- (73) Assignee: **LG Electronics Inc.**, Seoul (KR)
- (**) Term: **14 Years**
- (21) Appl. No.: **29/287,470**
- (22) Filed: **Aug. 10, 2007**
- (30) **Foreign Application Priority Data**
Feb. 21, 2007 (KR) 30-2007-0007776
- (51) **LOC (8) Cl.** **10-04**
- (52) **U.S. Cl.** **D10/65**
- (58) **Field of Classification Search** D10/65;
342/351, 419, 457, 357.06-567.13; 343/702;
345/87, 104, 133, 156, 168, 173, 901-905,
345/180, 184, 315, 739, 444, 499; 701/206-209,
701/213, 214
See application file for complete search history.

- D514,003 S * 1/2006 Kim D10/65
- D540,203 S * 4/2007 Jeon D10/65
- D541,682 S * 5/2007 Uno D10/65
- D541,683 S * 5/2007 Shiono D10/65

* cited by examiner

Primary Examiner—Antoine D. Davis
(74) *Attorney, Agent, or Firm*—Birch, Stewart, Kolasch & Birch, LLP

(57) **CLAIM**

The ornamental design for a car navigation terminal, as shown and described.

DESCRIPTION

FIG. 1 is a front, right perspective of the car navigation terminal showing my new design;
FIG. 2 is a front view thereof;
FIG. 3 is a rear view thereof;
FIG. 4 is a left side view thereof,
FIG. 5 is a right side view thereof,
FIG. 6 is a top plan view thereof; and,
FIG. 7 is a bottom plan view thereof.

- (56) **References Cited**
U.S. PATENT DOCUMENTS
D467,512 S * 12/2002 Miyazaki D10/65
D506,937 S * 7/2005 Lee et al. D10/65

1 Claim, 3 Drawing Sheets

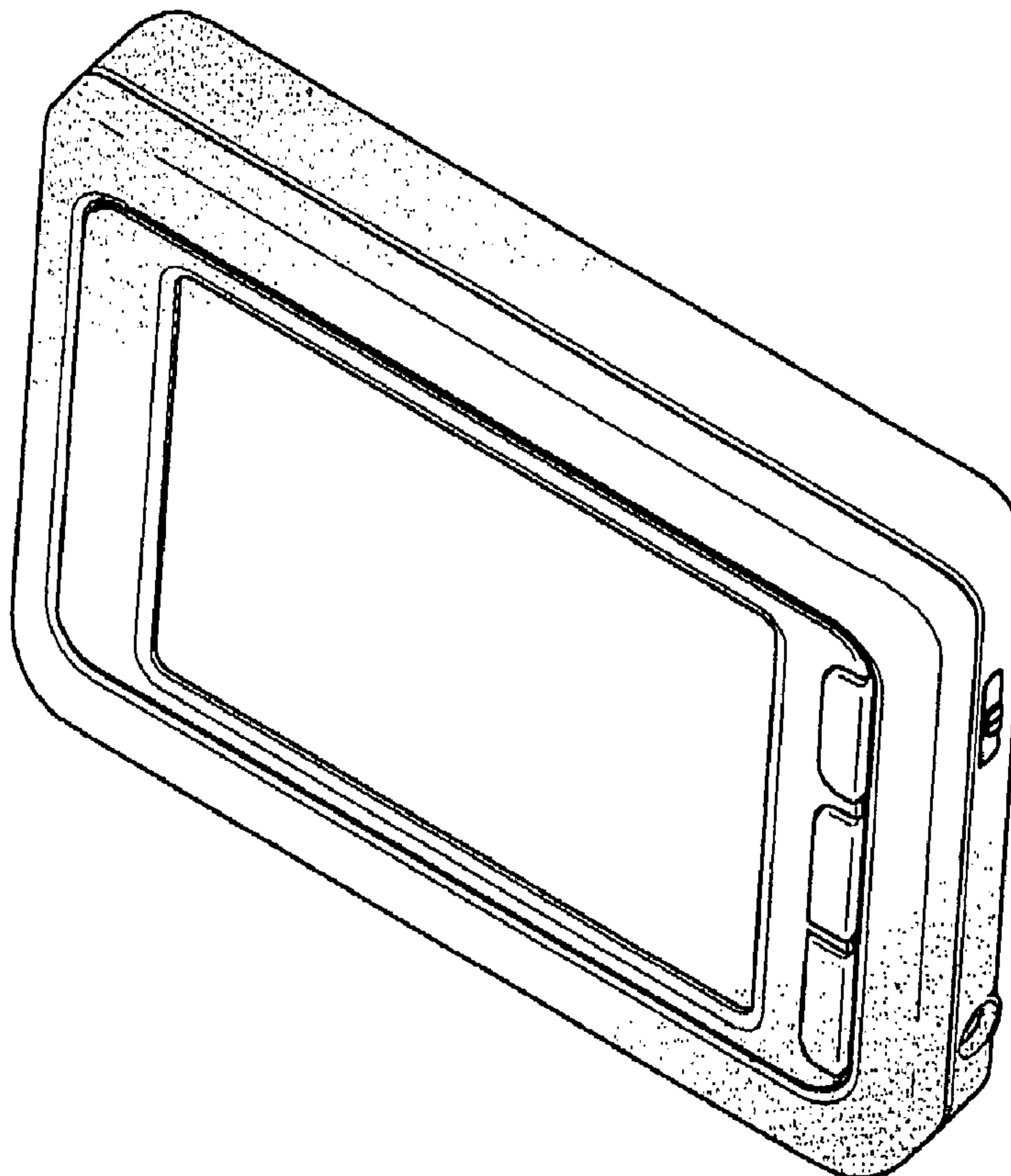


FIG. 1

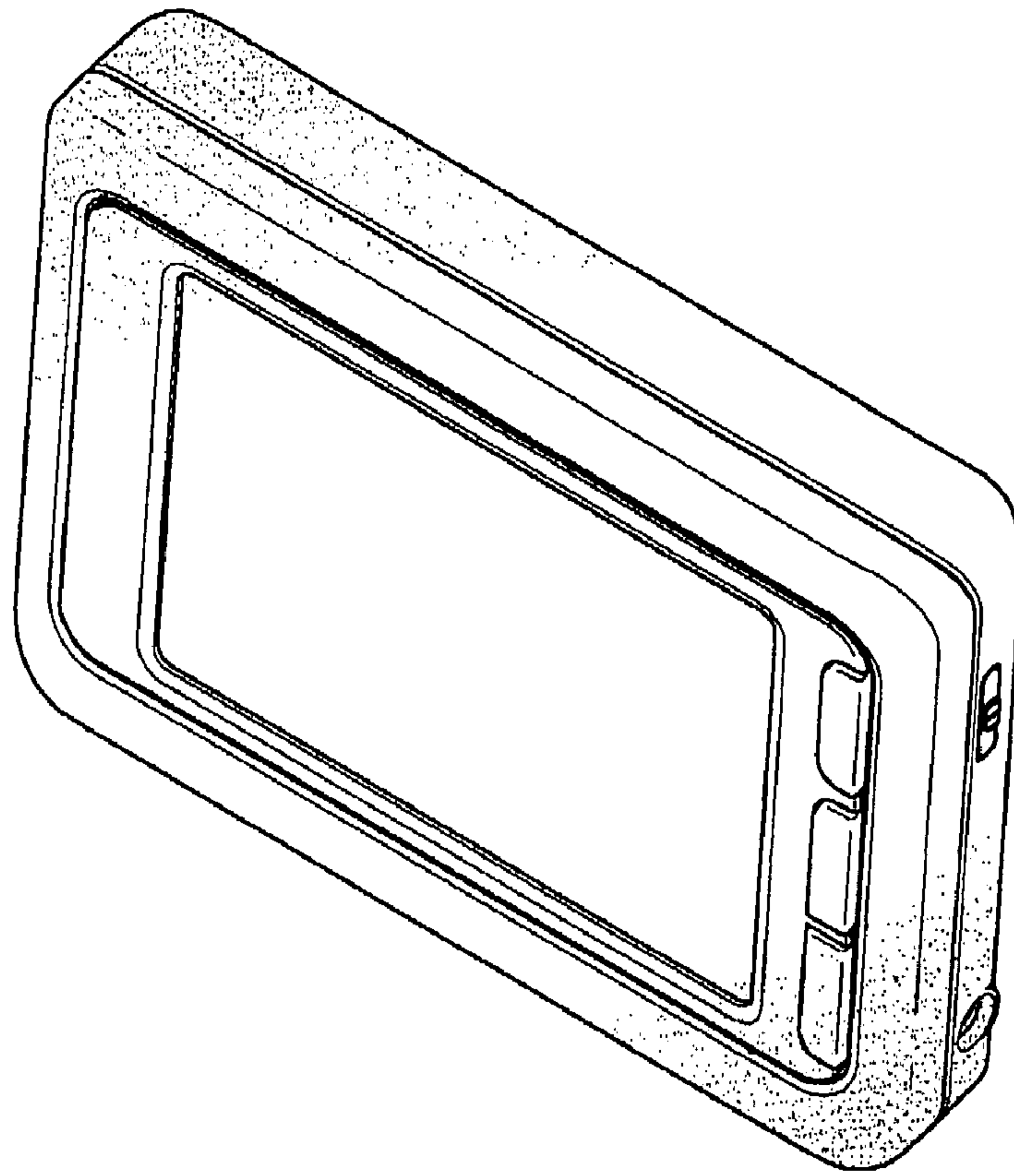


FIG. 2

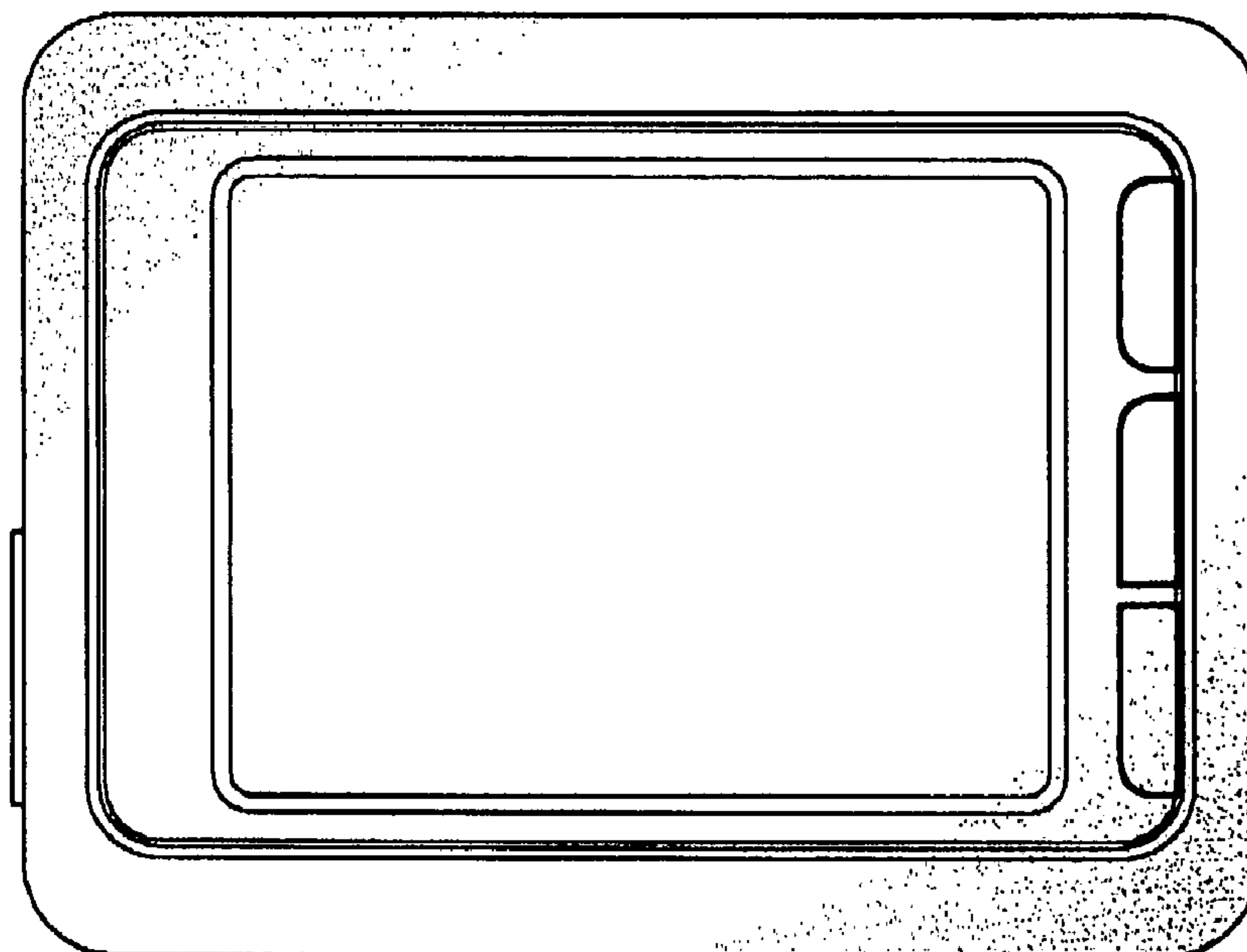


FIG. 3

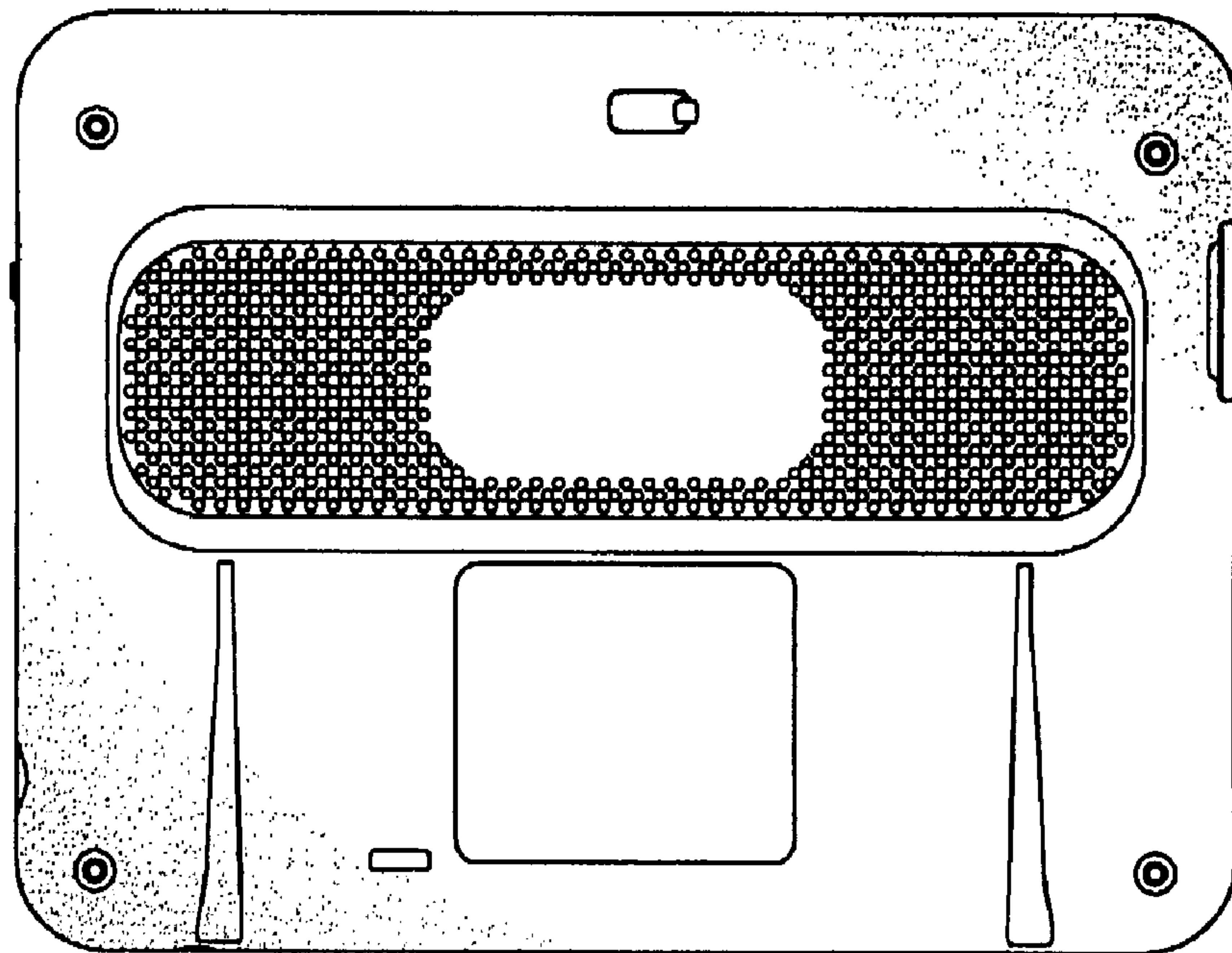


FIG. 4

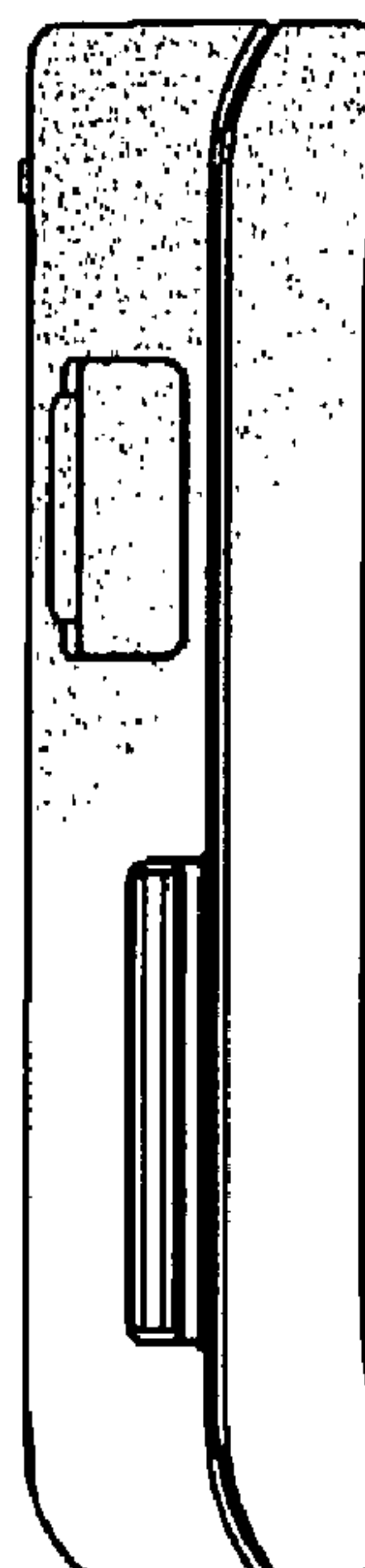


FIG. 5

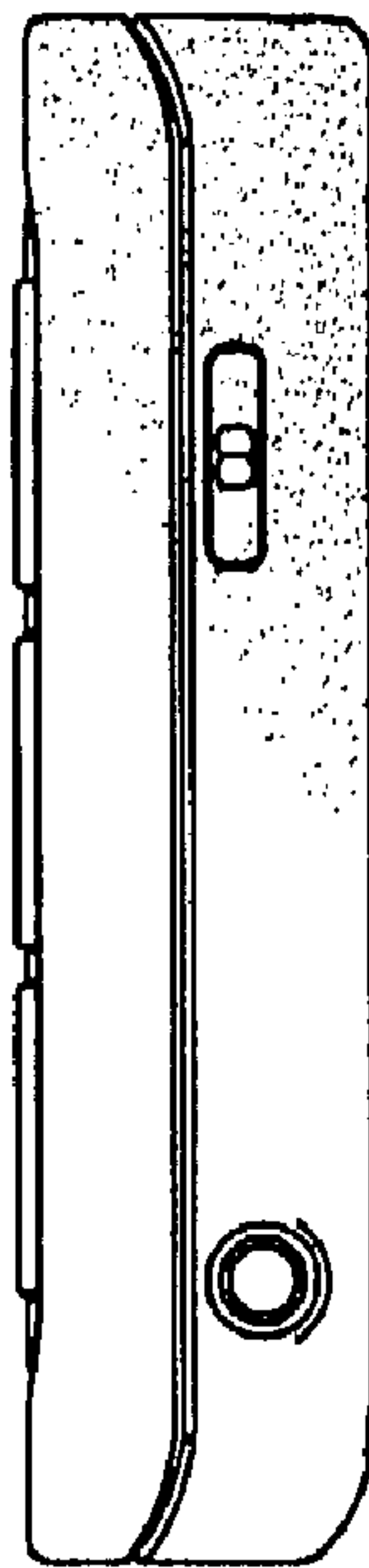


FIG. 6

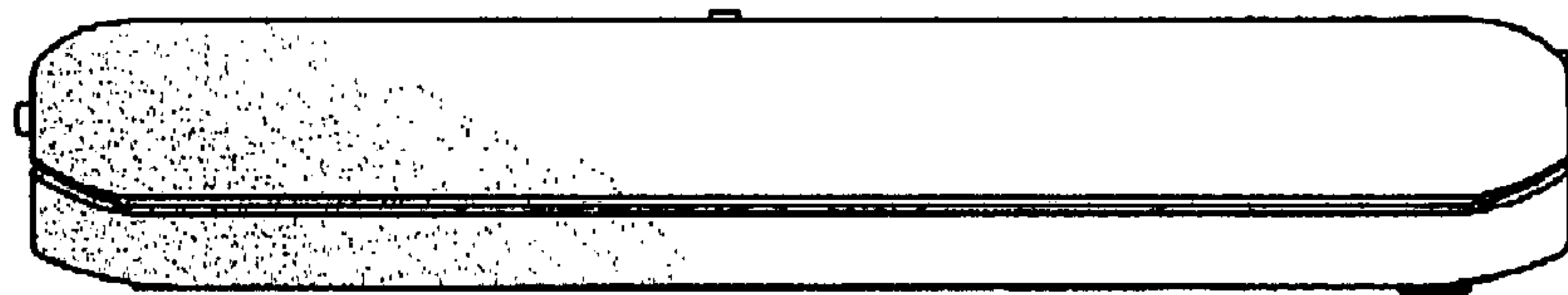


FIG. 7

