

US00D563805S

(12) **United States Design Patent**
Miyazato

(10) **Patent No.:** **US D563,805 S**
(45) **Date of Patent:** **** Mar. 11, 2008**

(54) **NAVIGATION DEVICE**

(75) Inventor: **Koji Miyazato**, Kobe (JP)

(73) Assignee: **Fujitsu Ten Limited**, Hyogo (JP)

(**) Term: **14 Years**

(21) Appl. No.: **29/274,667**

(22) Filed: **May 14, 2007**

(30) **Foreign Application Priority Data**

Nov. 15, 2006 (JP) 2006-031376

(51) **LOC (8) Cl.** **10-04**

(52) **U.S. Cl.** **D10/65**

(58) **Field of Classification Search** D10/65;
340/539.13, 995.1; 342/357.13, 357.06–357.09,
342/357.1, 351, 419, 457; 343/702; 345/87,
345/104, 133, 156, 168, 173, 901–905, 180,
345/184, 315, 739, 444, 499; 455/566, 575.1,
455/150.1, 151.3, 90.1, 12.1, 456.1; 701/206–209,
701/213, 214

See application file for complete search history.

(56) **References Cited**

U.S. PATENT DOCUMENTS

D467,512 S * 12/2002 Miyazaki D10/65
D541,186 S * 4/2007 Lammers-Meis et al. D10/65
D543,876 S * 6/2007 Kalis et al. D10/65
D544,381 S * 6/2007 Lammers-Meis et al. D10/65

OTHER PUBLICATIONS

U.S. Appl. No. 29/274,660, filed in the name of Koji Miyazato on May 14, 2007.

U.S. Appl. No. 29/274,661, filed in the name of Koji Miyazato on May 14, 2007.

U.S. Appl. No. 29/274,667, filed in the name of Koji Miyazato on May 14, 2007.

U.S. Appl. No. 29/274,671, filed in the name of Koji Miyazato on May 14, 2007.

“Video Microscope TW-CM10 TW-CM10L4 TW-CM10L16,” Sony Manufacturing System Corporation, Apr. 25, 2003.

* cited by examiner

Primary Examiner—Antoine D. Davis

(74) *Attorney, Agent, or Firm*—Oliff & Berridge, PLC

(57) **CLAIM**

The ornamental design for a navigation device, as shown and described.

DESCRIPTION

FIG. 1 is a perspective view of a navigation device showing our new design;

FIG. 2 is a front view thereof;

FIG. 3 is a rear view thereof;

FIG. 4 is a left side view thereof;

FIG. 5 is a right side view thereof;

FIG. 6 is a top plan view thereof; and,

FIG. 7 is a bottom plan view.

The broken line showing in FIG. 1 to 7 is for illustrative purposes only and forms no part of the claimed design.

1 Claim, 3 Drawing Sheets

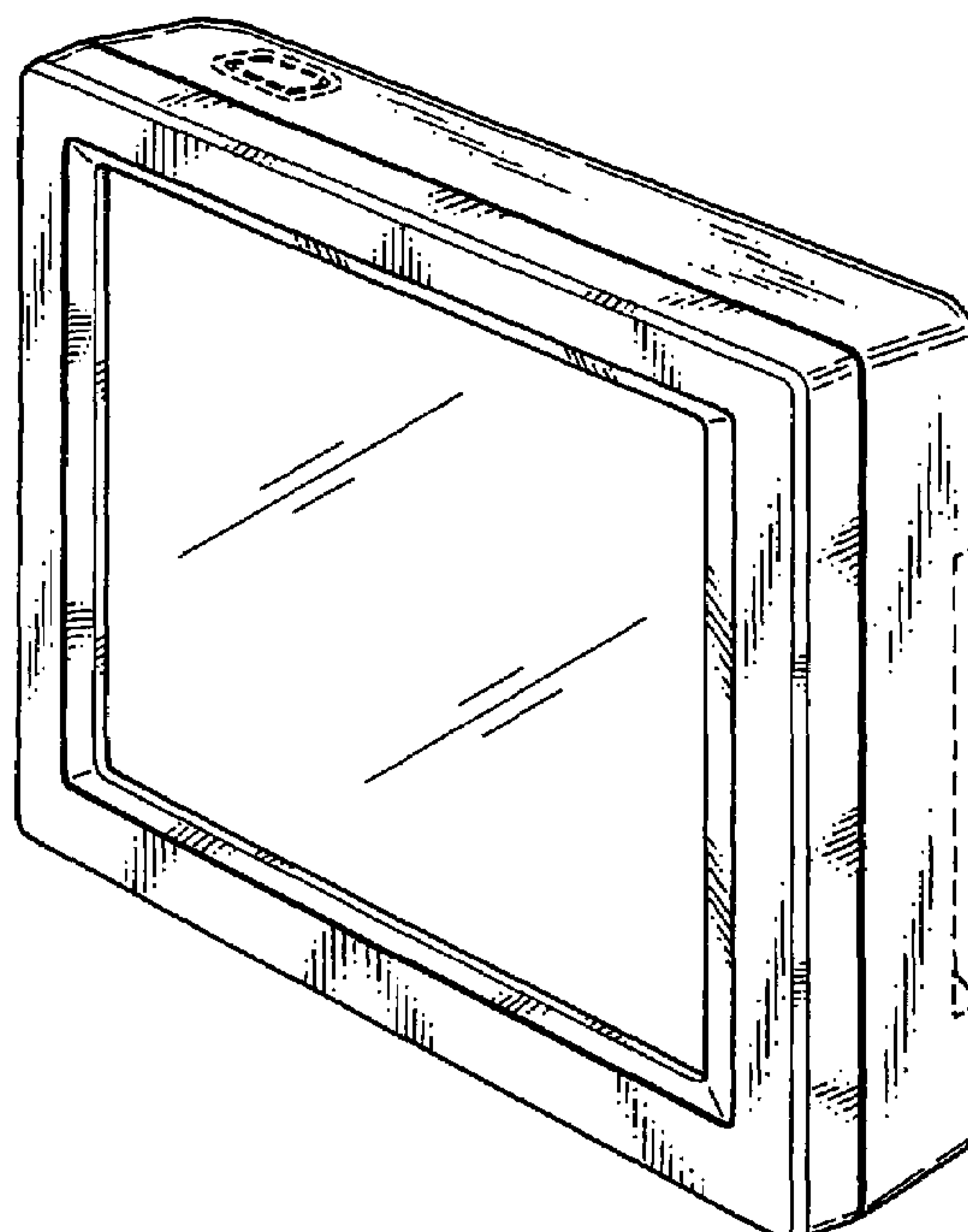


Fig.1

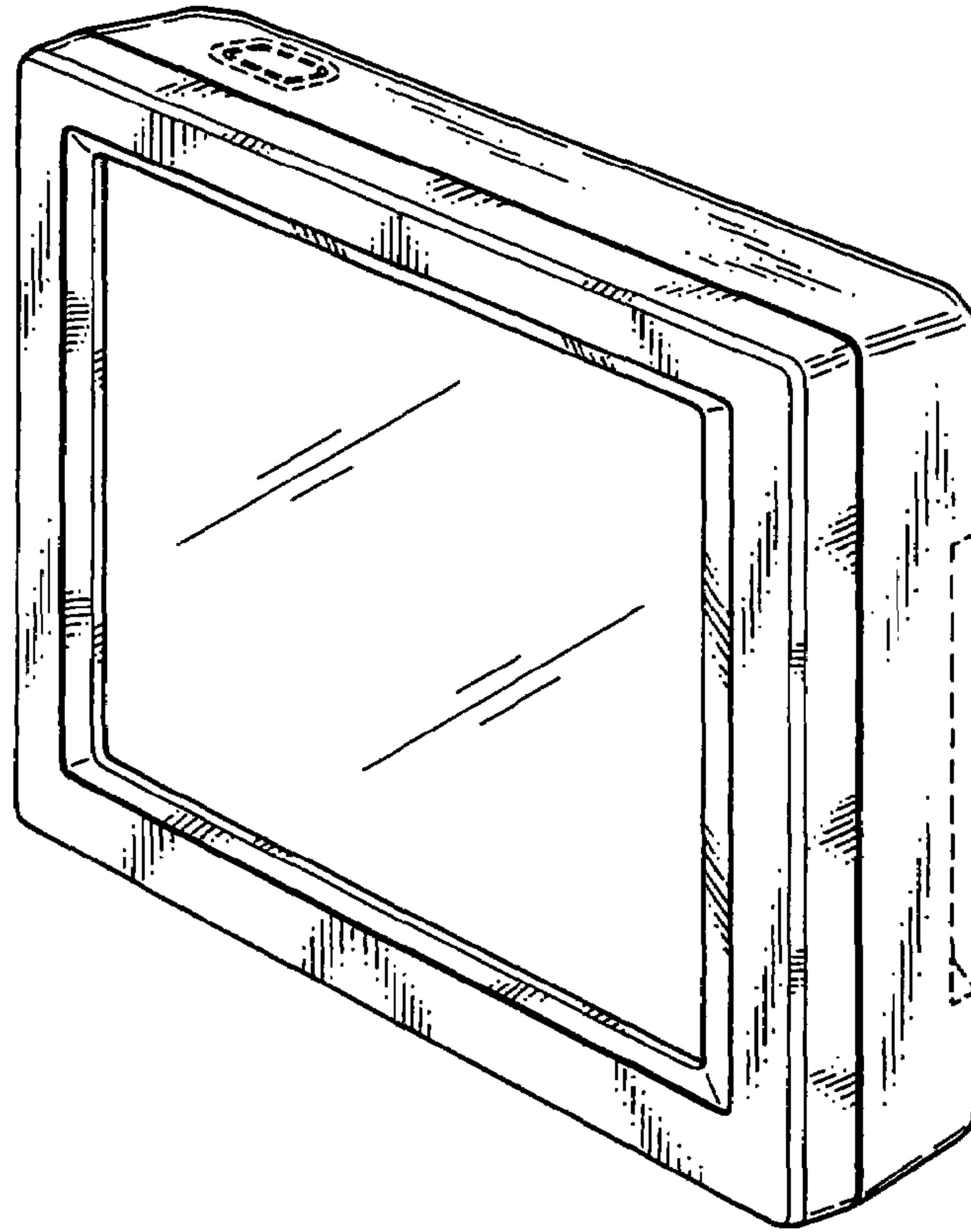


Fig.2

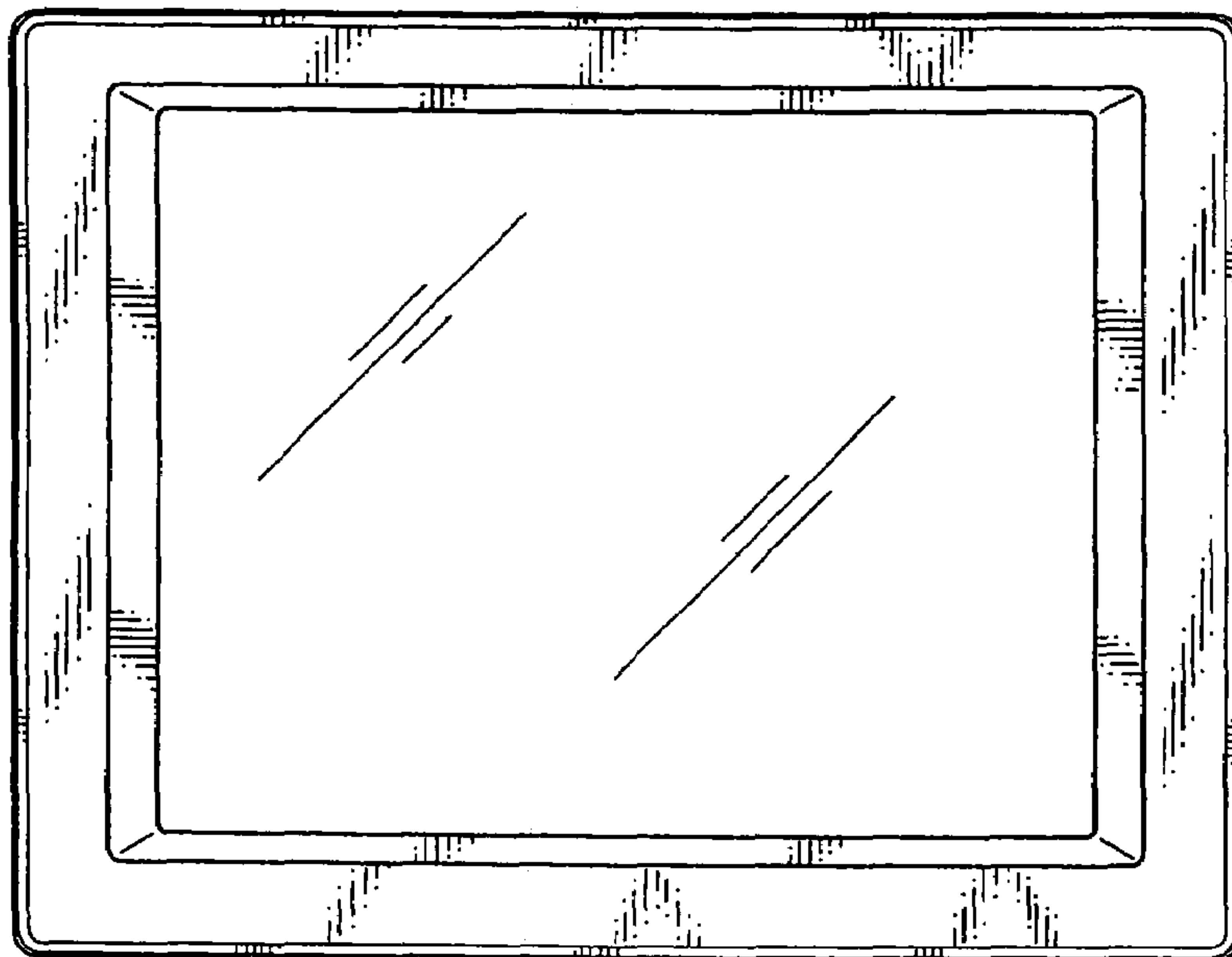


Fig. 3

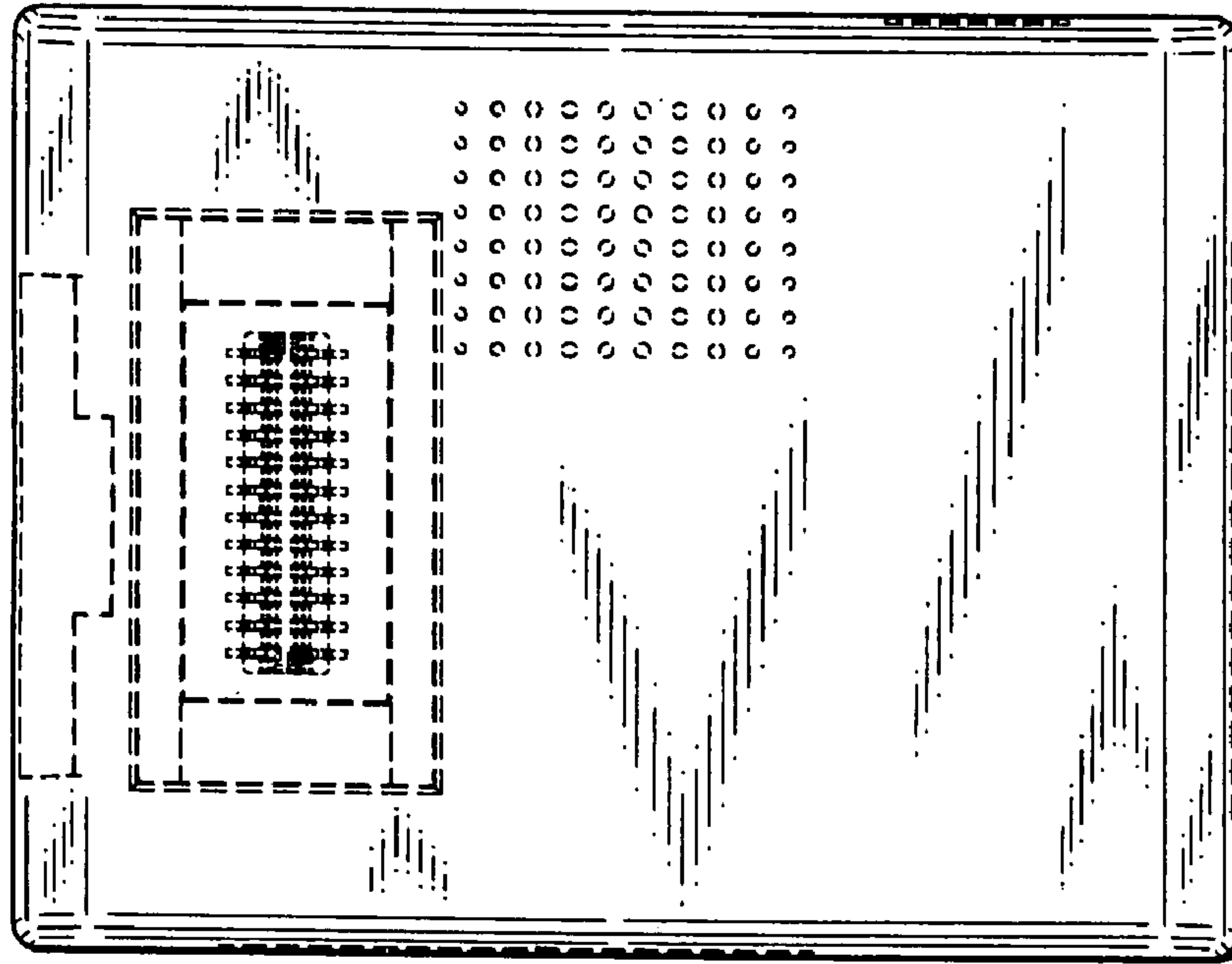


Fig. 4

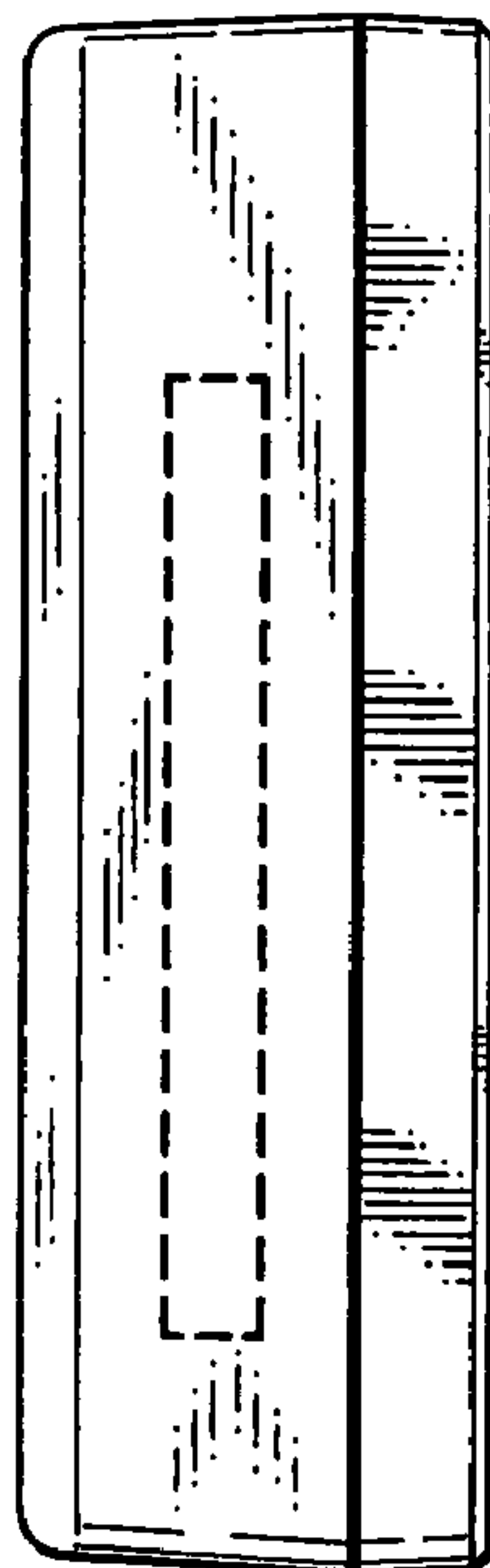


Fig.5

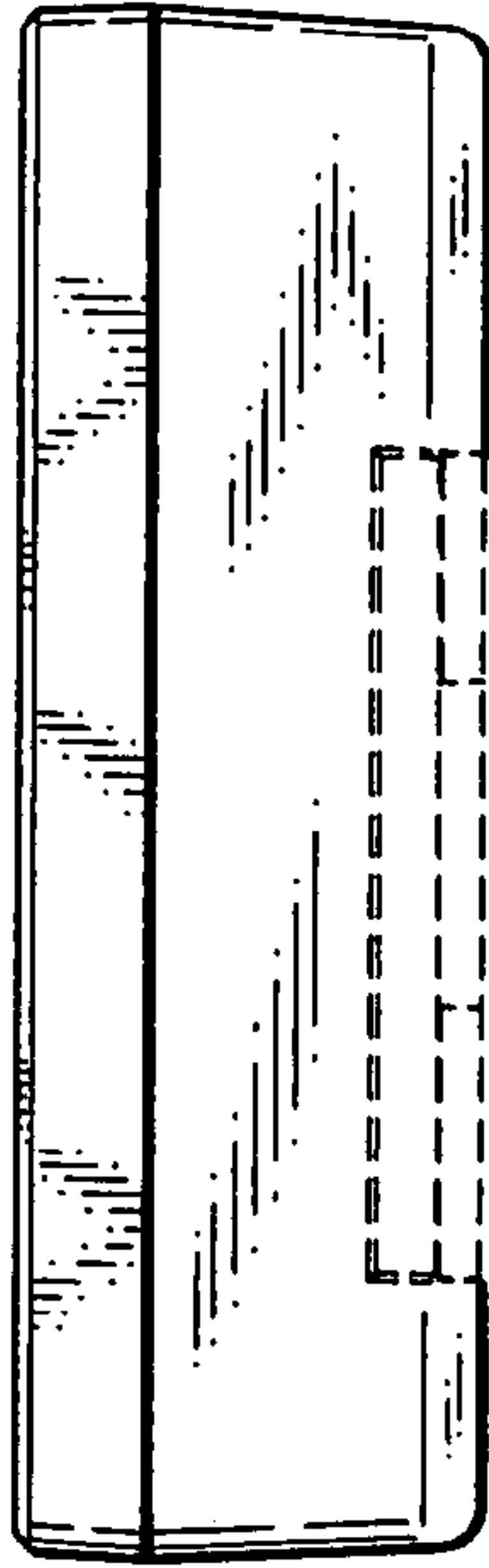


Fig.6



Fig.7

