



US00D563804S

(12) **United States Design Patent**
Kimura et al.

(10) **Patent No.:** **US D563,804 S**
(45) **Date of Patent:** **** Mar. 11, 2008**

(54) **NAVIGATION DEVICE FOR VEHICLE**

D541,683 S * 5/2007 Shiono D10/65

(75) Inventors: **Kenji Kimura**, Tsuchiura (JP); **Shinichi Ohtsuki**, Chigasaki (JP)

* cited by examiner

(73) Assignee: **Victor Company of Japan, Limited**,
Yokohama-shi, Kanagawa (JP)

Primary Examiner—Antoine D. Davis
(74) *Attorney, Agent, or Firm*—The Nath Law Group; Jerald L. Meyer; Derek Richmond

(**) Term: **14 Years**

(21) Appl. No.: **29/269,554**

(57) **CLAIM**

(22) Filed: **Dec. 4, 2006**

The ornamental design for a navigation device for vehicle, as shown and described.

(30) **Foreign Application Priority Data**

Aug. 31, 2006 (JP) D2006-023237

DESCRIPTION

(51) **LOC (8) Cl.** **10-04**

(52) **U.S. Cl.** **D10/65**

(58) **Field of Classification Search** D10/65;
340/539.13, 995.1; 342/357.13, 357.06–357.09,
342/357.1, 351, 419, 457; 343/702; 345/87,
345/104, 133, 156, 168, 173, 901–905, 180,
345/184, 315, 739, 444, 499; 455/566, 575.1,
455/150.1, 151.3, 90.1, 12.1, 456.1; 701/206–209,
701/213, 214

See application file for complete search history.

FIG. 1 is a perspective view of a navigation device for vehicle;

FIG. 2 is a front view thereof;

FIG. 3 is a rear view thereof;

FIG. 4 is a top plan view thereof;

FIG. 5 is a bottom plan view thereof;

FIG. 6 is a left side view thereof;

FIG. 7 is a right side view thereof; and,

FIG. 8 is an enlarged view thereof taken along line 8–8 of FIG. 6.

(56) **References Cited**

U.S. PATENT DOCUMENTS

D540,203 S * 4/2007 Jeon D10/65

1 Claim, 3 Drawing Sheets

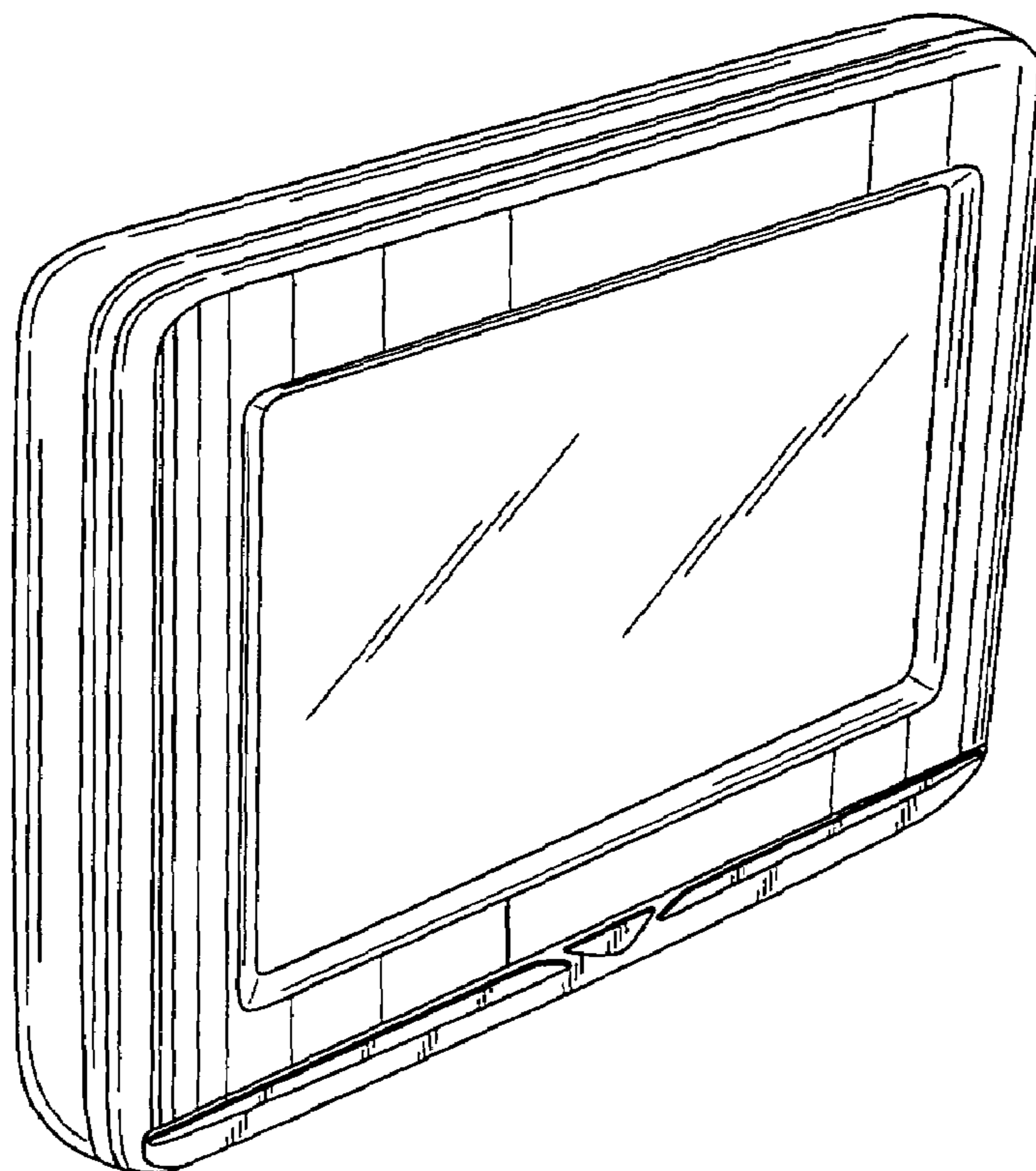


Fig.1

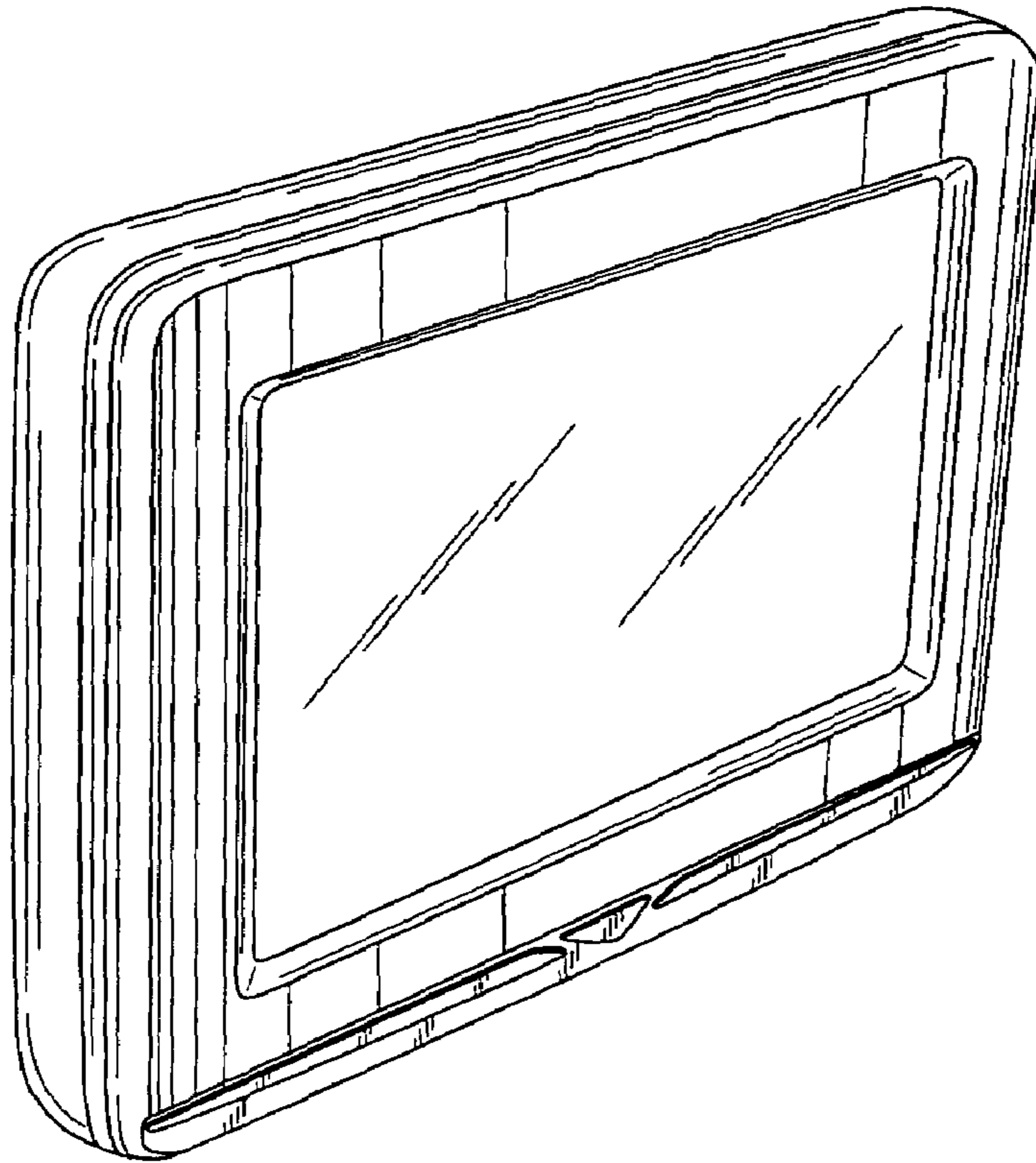


Fig.2

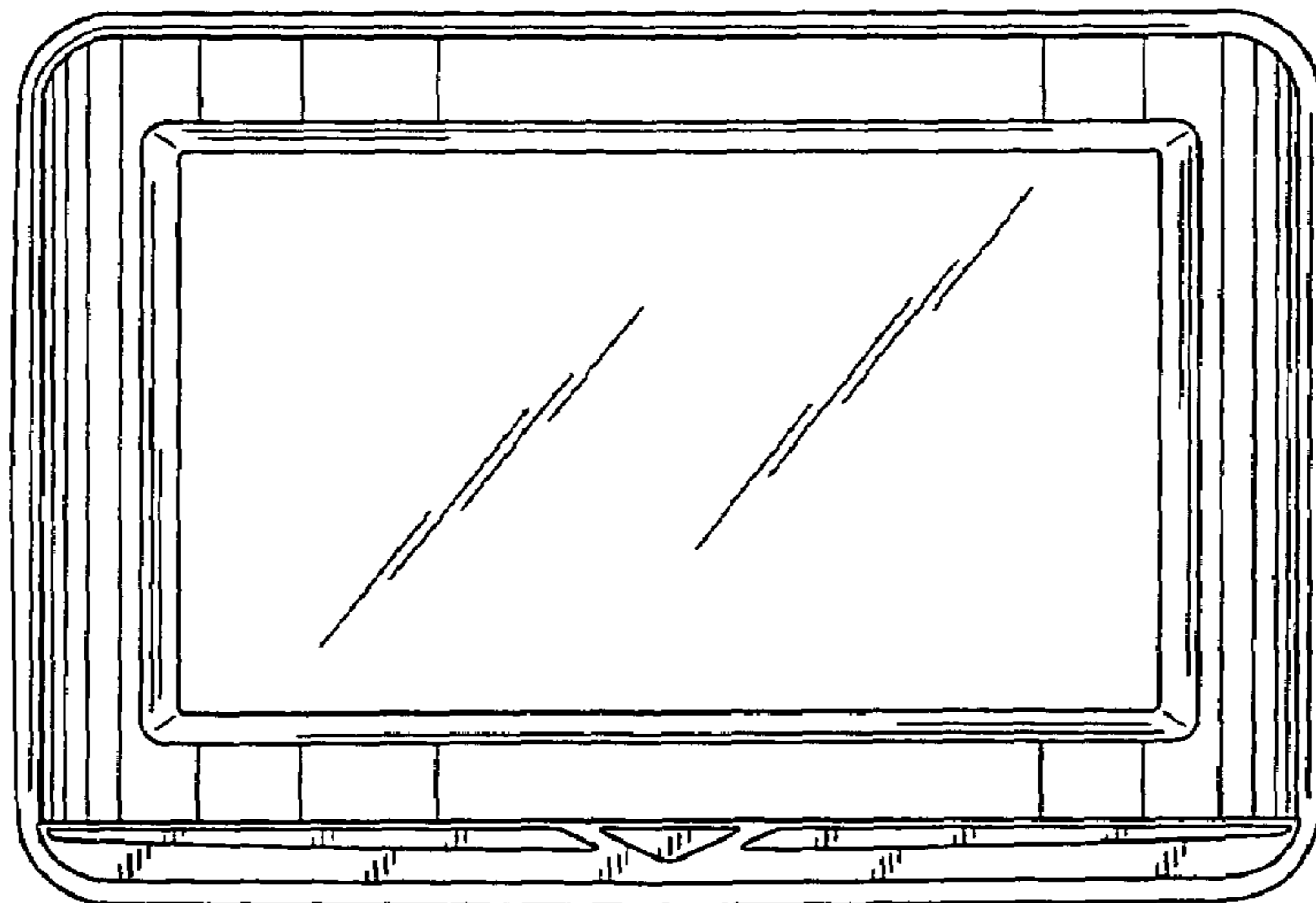


Fig.3

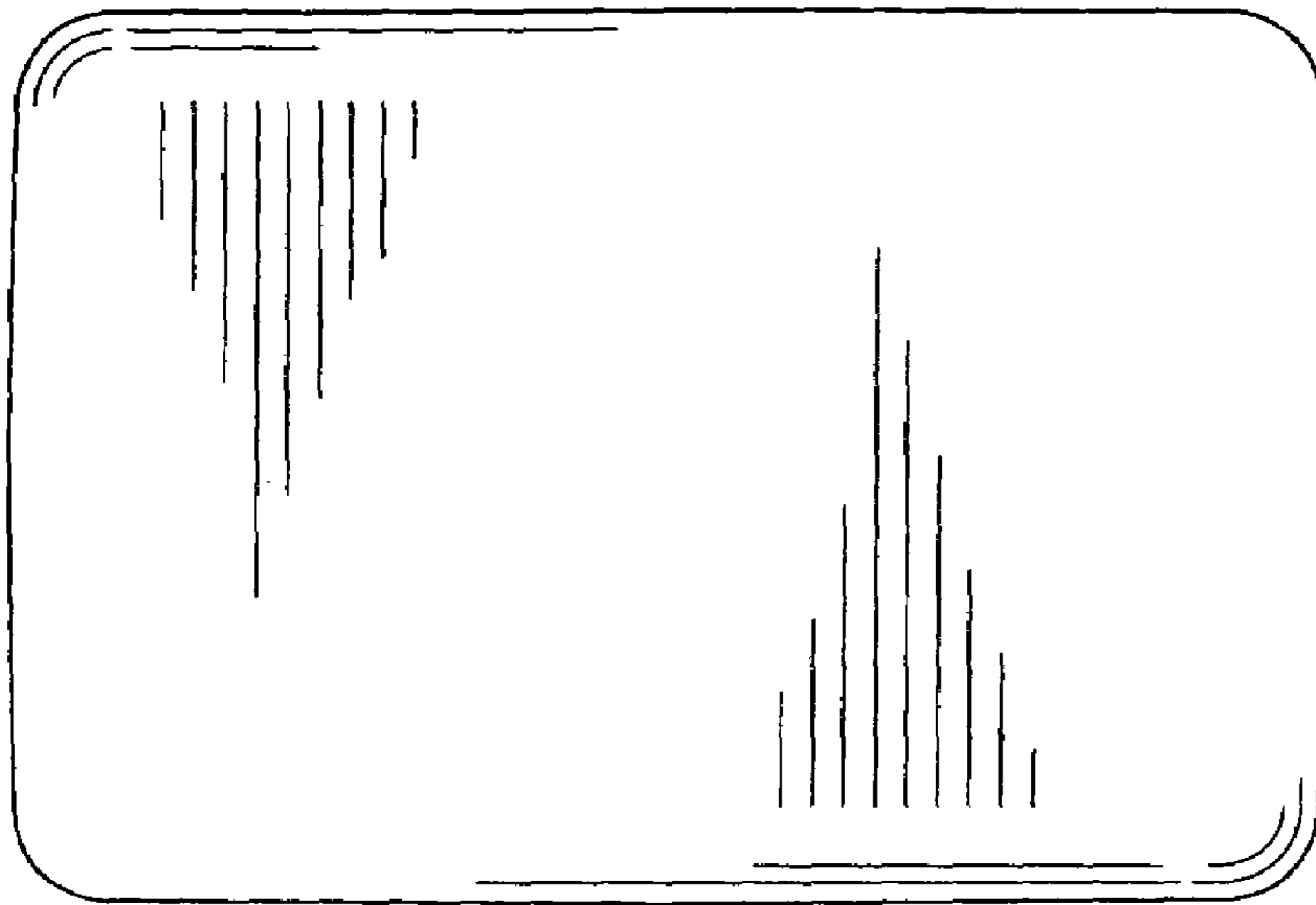


Fig.4

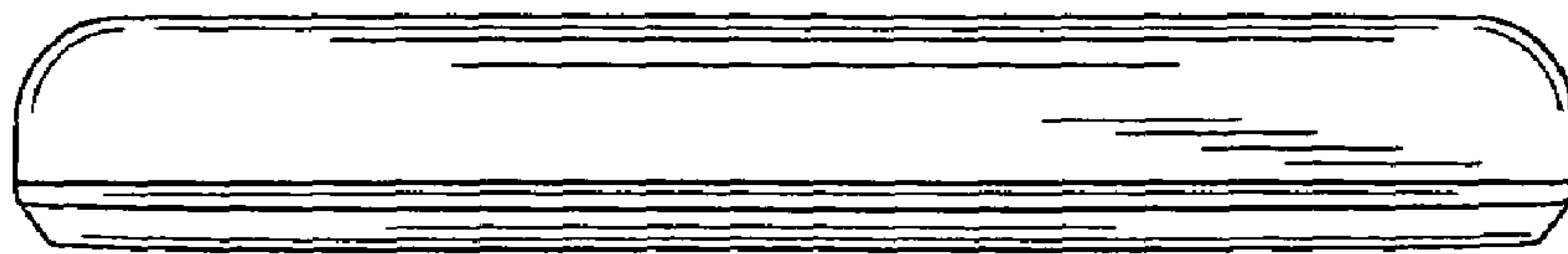


Fig.5

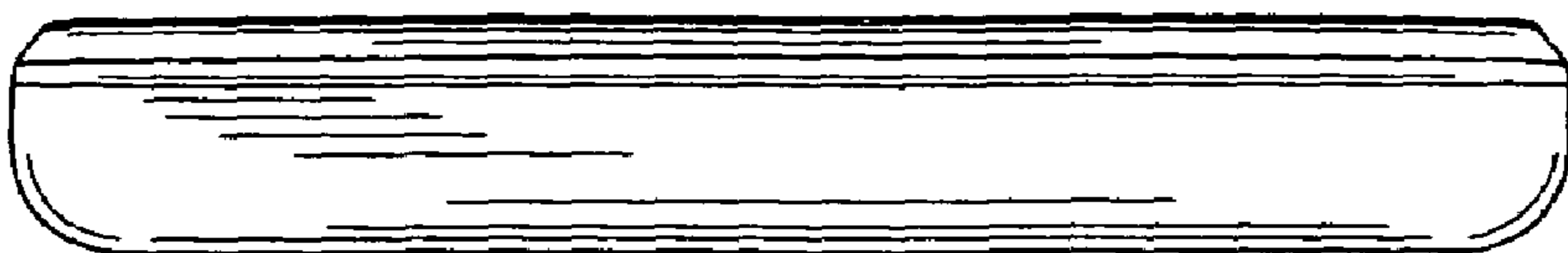


Fig.6

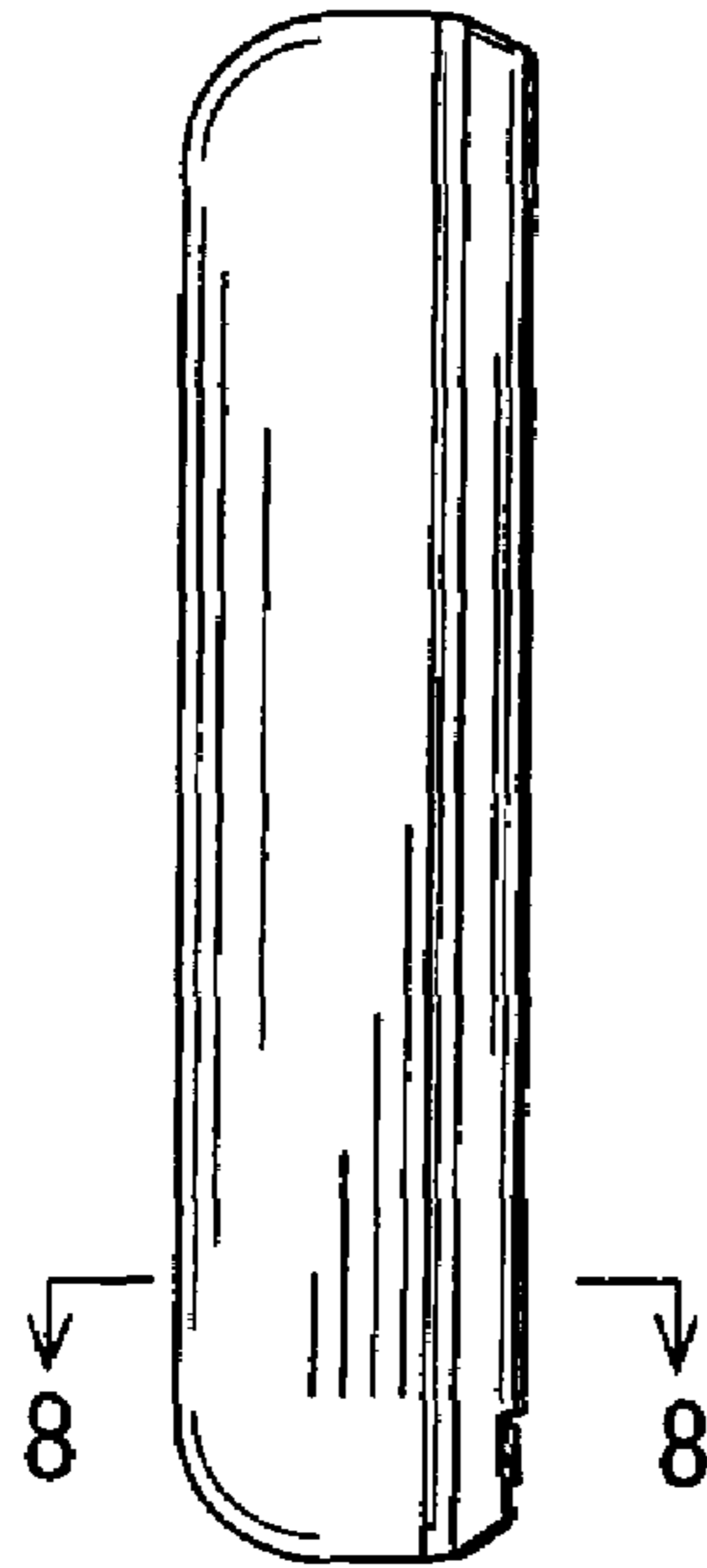


Fig.7



Fig.8

