



US00D563801S

(12) **United States Design Patent**
Holtzman

(10) **Patent No.:** **US D563,801 S**
(45) **Date of Patent:** **** Mar. 11, 2008**

(54) **WATCH**
(75) **Inventor:** **Steven M. Holtzman**, Wilkes-Barre, PA (US)
(73) **Assignee:** **Luxury Watch Distribution, Inc.**, Wilkes-Barre, PA (US)
(**) **Term:** **14 Years**
(21) **Appl. No.:** **29/282,515**
(22) **Filed:** **Jul. 23, 2007**

D448,680 S * 10/2001 Kubo D10/30
D474,697 S * 5/2003 Fu et al. D10/30
D475,306 S * 6/2003 Modolo D10/39
D475,935 S * 6/2003 Modolo D10/39
D484,814 S * 1/2004 Sugiura D10/32
D513,195 S * 12/2005 Gruosi D10/38
D526,215 S * 8/2006 Calvani D10/38
D526,912 S * 8/2006 Calvani D10/38
D534,438 S * 1/2007 Bedat D10/32
D537,738 S * 3/2007 Ohki et al. D10/32
D544,377 S * 6/2007 Chodat D10/38

FOREIGN PATENT DOCUMENTS

WO DM 059130 * 1/2002

OTHER PUBLICATIONS

Swiss Watch and Jewelry Journal, Feb. 1988, p. 207, Gucci rectangular watch.*
Hong Kong Watches and Clocks, Feb. 2003, p. 19, Hanville Co. watches.*

* cited by examiner

Primary Examiner—Lucy Lieberman
(74) *Attorney, Agent, or Firm*—Galbreath Law Offices, P.C.; John A. Galbreath

(51) **LOC (8) Cl.** **10-02**
(52) **U.S. Cl.** **D10/39**
(58) **Field of Classification Search** D10/30–39;
368/276, 281, 282, 285, 223, 228, 232, 80,
368/277

See application file for complete search history.

(56) **References Cited**

U.S. PATENT DOCUMENTS

1,701,339 A * 2/1929 Roy 24/265 R
1,708,466 A * 4/1929 Brandt 59/80
D80,359 S * 1/1930 Conant D10/38
1,766,971 A * 6/1930 Augenstein 63/3
D93,390 S * 9/1934 Graef D10/39
D101,076 S * 9/1936 Wadsworth D10/39
2,069,453 A * 2/1937 Lazrus 368/281
2,227,131 A * 12/1940 Friedman 368/281
2,532,161 A * 11/1950 Gomberg 224/179
D284,642 S * 7/1986 Kabaya D10/38
D302,132 S * 7/1989 Woomer D10/39
D322,227 S * 12/1991 Warhol D10/32
5,206,841 A * 4/1993 Boucheron 368/276
D390,479 S * 2/1998 Brandys et al. D10/39
D403,596 S * 1/1999 Charriol D10/30
D413,818 S * 9/1999 Baumann D10/32
D415,039 S * 10/1999 Strasser D10/30
D432,028 S * 10/2000 Burgener D10/32
D440,886 S * 4/2001 Burgener D10/32
D446,461 S * 8/2001 Wunderman D10/32

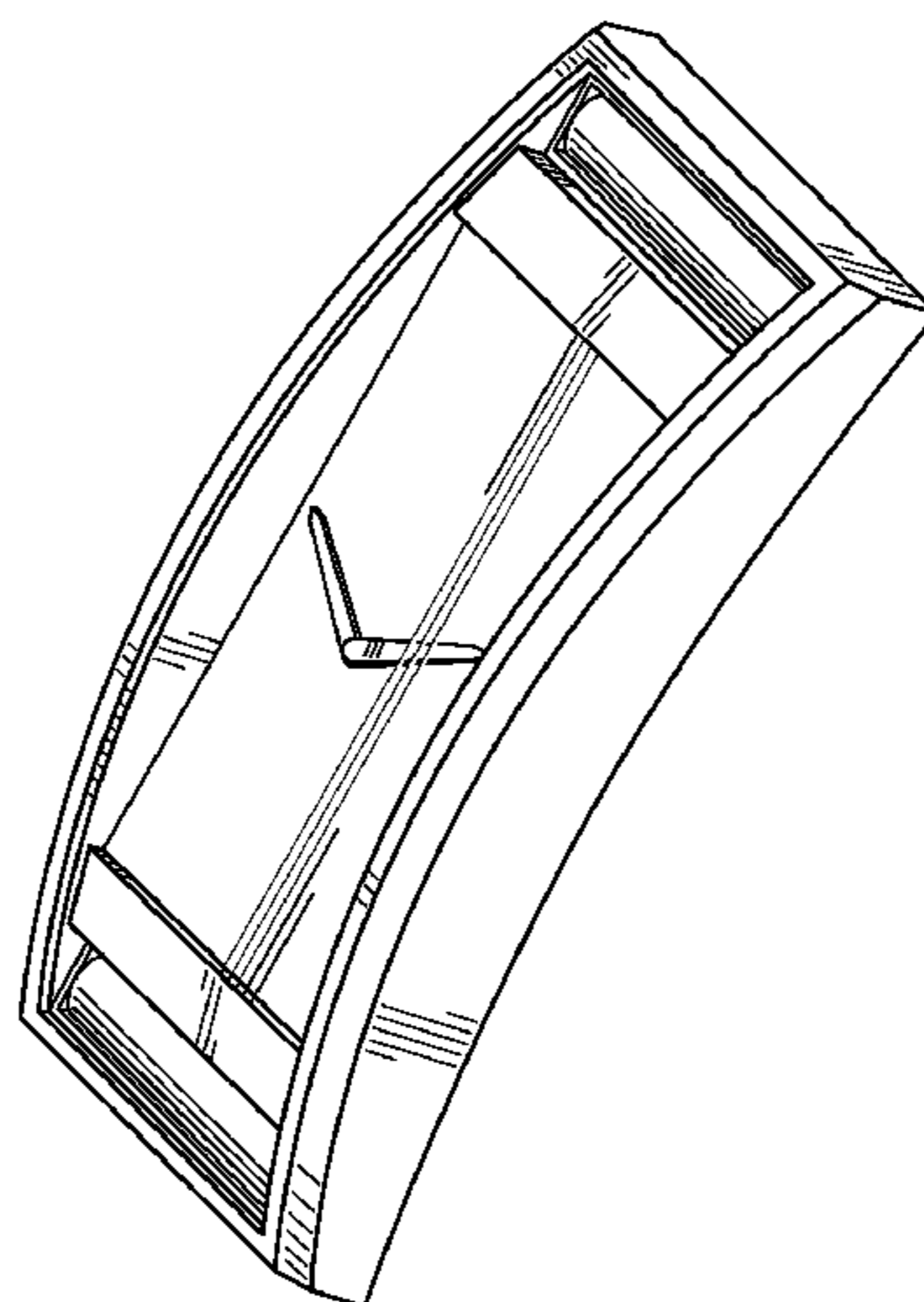
(57) **CLAIM**

The ornamental design for a watch, as shown and described.

DESCRIPTION

FIG. 1 is a front view of the invention;
FIG. 2 is a back view of the invention;
FIG. 3 is a side view of the invention;
FIG. 4 is a side view of the invention, showing the side opposite that shown in FIG. 3;
FIG. 5 is a top view of the invention;
FIG. 6 is a bottom view of the invention; and,
FIG. 7 is a perspective view of the invention.

1 Claim, 4 Drawing Sheets



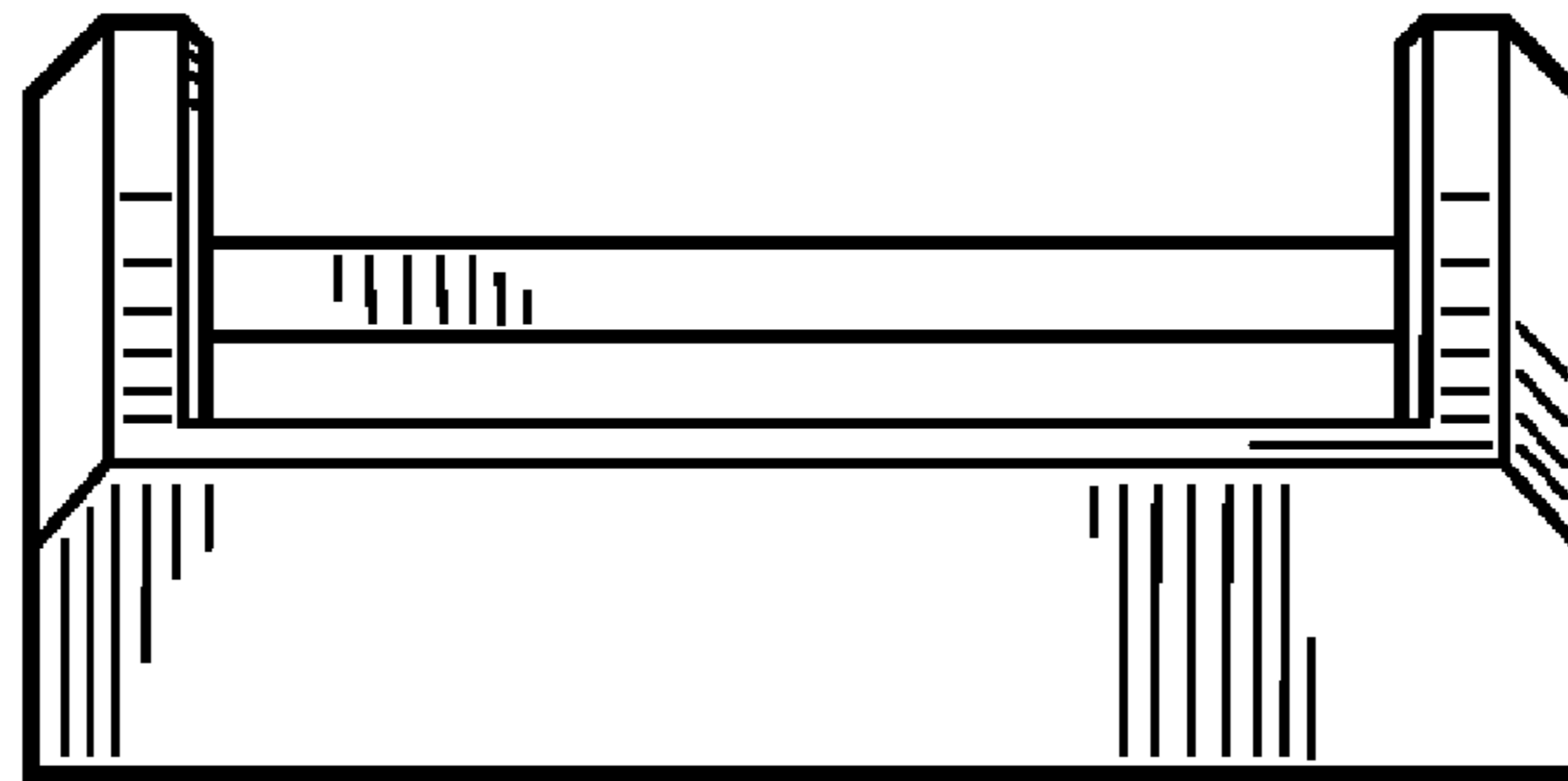


Fig. 1

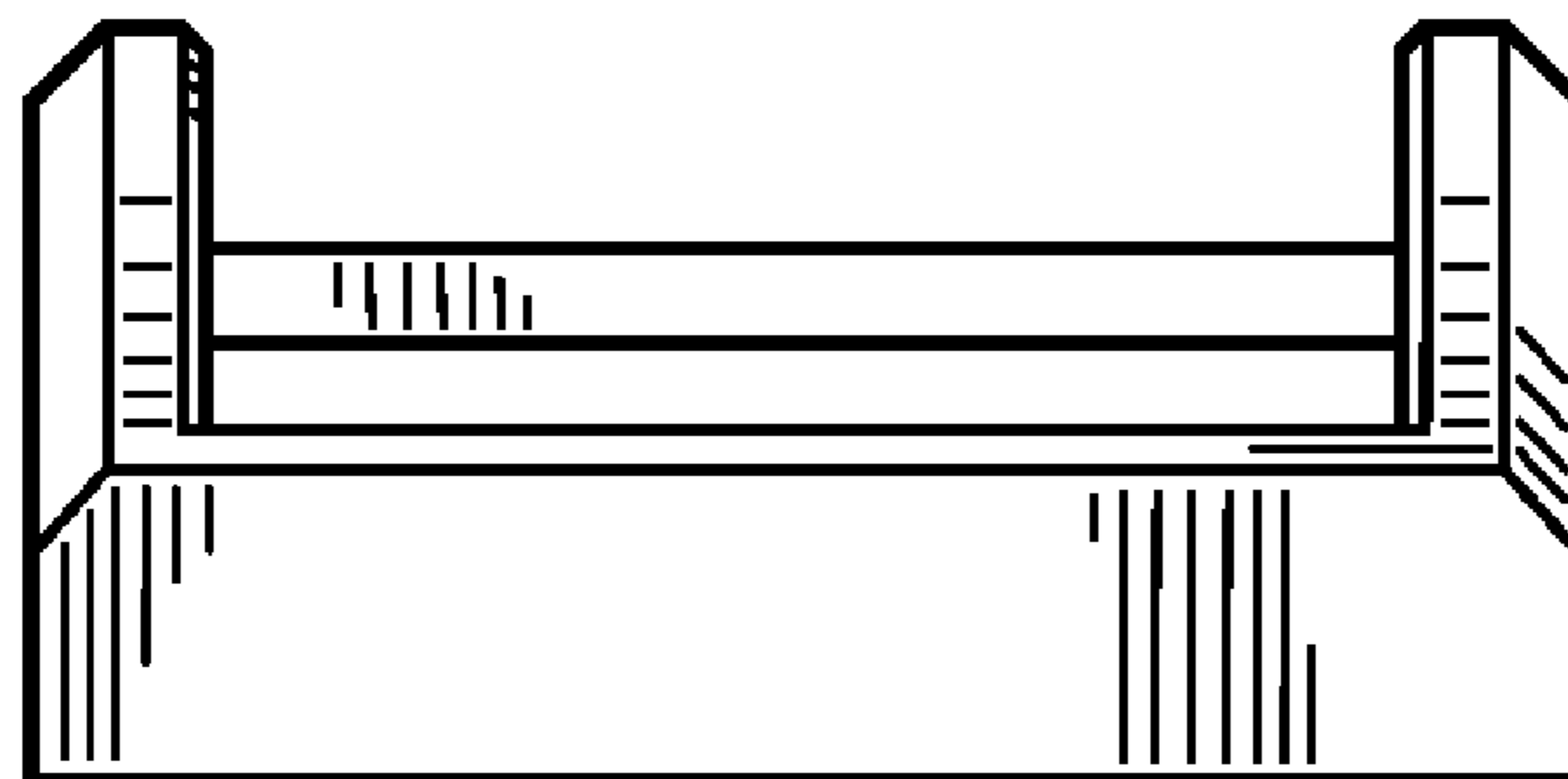


Fig. 2

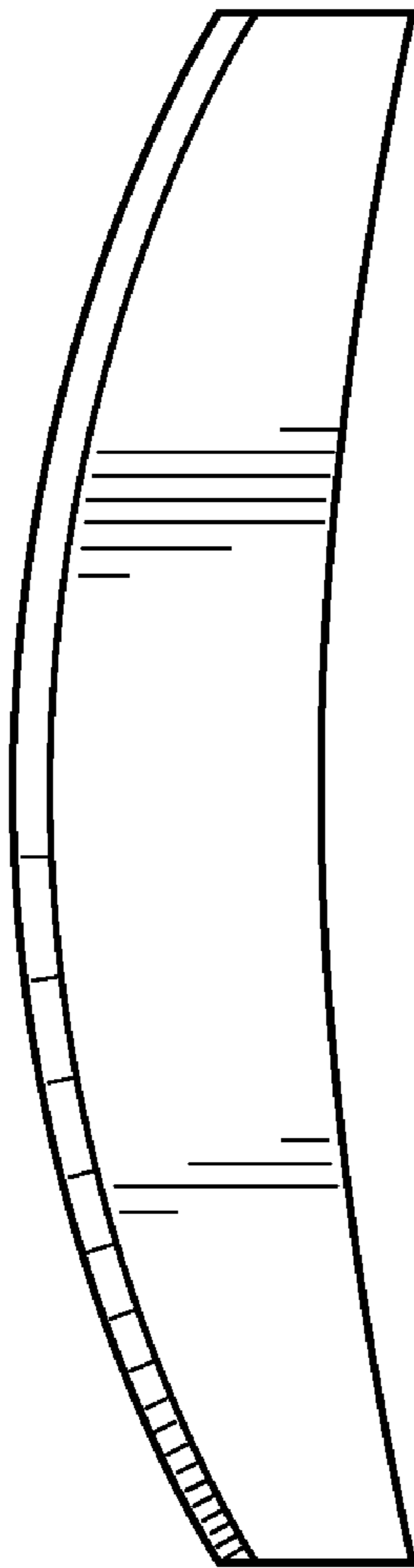


Fig. 3

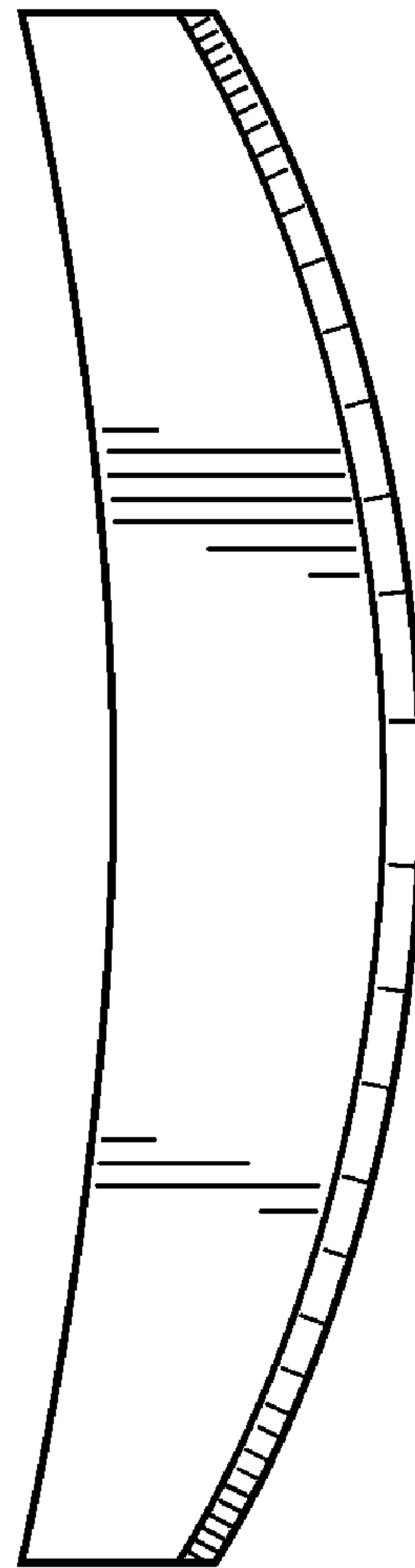


Fig. 4

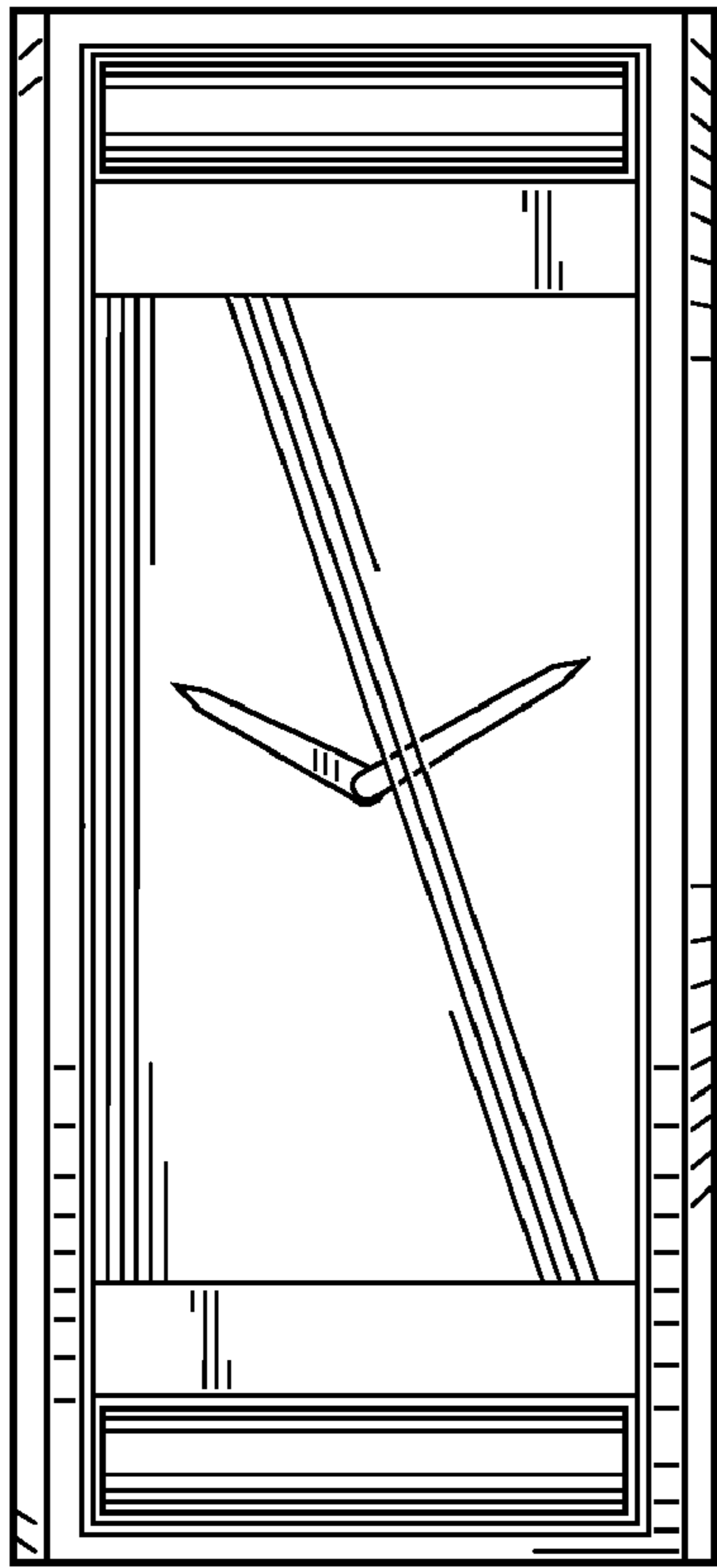


Fig. 5



Fig. 6

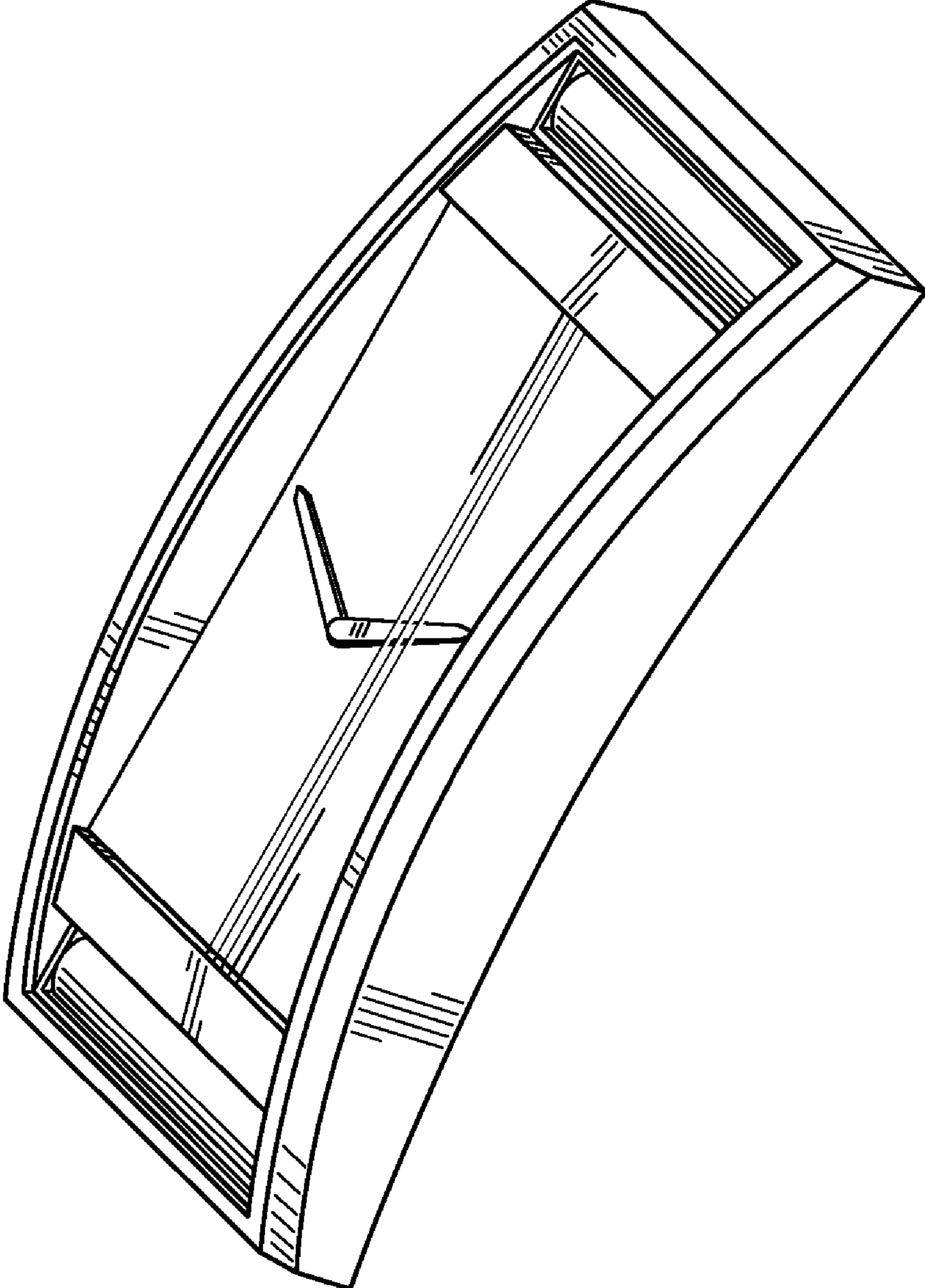


Fig. 7