



US00D563787S

(12) **United States Design Patent**  
**Harvey et al.**

(10) **Patent No.:** **US D563,787 S**  
(45) **Date of Patent:** **\*\* Mar. 11, 2008**

- (54) **SUPPORT CRADLE**
- (75) Inventors: **Timothy Harvey**, Madison, WI (US);  
**Dan Stubing**, Neenah, WI (US)
- (73) Assignee: **Great Northern Corporation**,  
Appleton, WI (US)
- (\*\*) Term: **14 Years**
- (21) Appl. No.: **29/279,285**
- (22) Filed: **Apr. 25, 2007**
- (51) **LOC (8) Cl.** ..... **09-07**
- (52) **U.S. Cl.** ..... **D9/456**
- (58) **Field of Classification Search** ..... D9/418,  
D9/431, 432, 433, 434, 435, 455, 456, 499;  
D34/38, 40; 5/120, 621; 29/417; 134/104.2;  
248/118.1; 298/18; 335/35; 198/830; 348/373;  
206/44 R, 149, 151, 157, 503, 562; 229/30,  
229/32; D7/37; 220/500, 523, 524, 525,  
220/526, 527, 528, 529, 555, 556  
See application file for complete search history.

D452,820 S *	1/2002	Hacker	.....	D9/456
6,390,287 B2 *	5/2002	Riffe	.....	198/830
6,592,085 B2 *	7/2003	Iwata et al.	.....	248/118.1
6,792,960 B2 *	9/2004	Peele et al.	.....	134/104.2
6,851,138 B1 *	2/2005	Wilson	.....	5/120
D523,610 S *	6/2006	Kissell	.....	D34/38
2002/0186317 A1 *	12/2002	Kayanuma	.....	348/373
2006/0117483 A1 *	6/2006	Devitt	.....	5/621

\* cited by examiner

*Primary Examiner*—T. Chase Nelson  
*Assistant Examiner*—Barbara B Lohr  
(74) *Attorney, Agent, or Firm*—Andrus, Scales, Starke & Sawall, LLP

(57) **CLAIM**

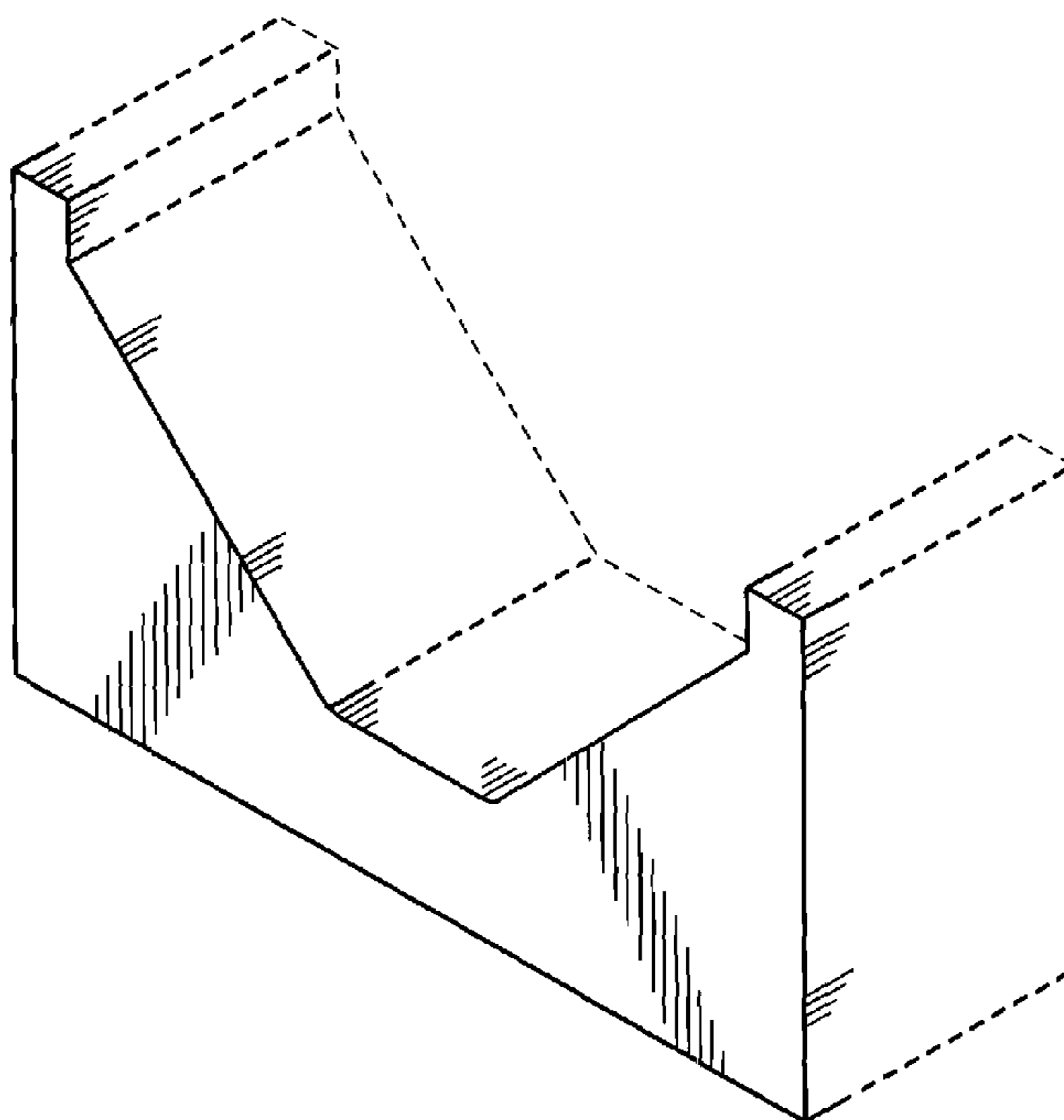
The ornamental design for a support cradle, as shown and described.

**DESCRIPTION**

FIG. 1 is a front perspective view of the support cradle embodying the present invention;  
FIG. 2 is a front elevational view of the support cradle;  
FIG. 3 is a top view of the support cradle;  
FIG. 4 is a right side view of the support cradle, with the left side view being a mirror image thereof;  
FIG. 5 is a bottom view of the support cradle; and,  
FIG. 6 is a back elevational view of the support cradle.  
The phantom lines shown in FIGS. 1–6 are shown for illustrative purposes only and form no part of the claimed design.

- (56) **References Cited**
- U.S. PATENT DOCUMENTS
- 4,202,090 A \* 5/1980 Cook ..... 29/417
- D281,484 S \* 11/1985 Dickes ..... D9/432
- D351,103 S \* 10/1994 Reynolds ..... D9/456
- D381,180 S 7/1997 Schueneman et al.
- D385,080 S 10/1997 Schueneman et al.
- D400,441 S 11/1998 Warren
- D403,961 S 1/1999 Warren
- 5,886,600 A \* 3/1999 Larranaga et al. .... 335/35
- D408,737 S 4/1999 Warren, Jr.
- 6,152,536 A \* 11/2000 Krinhop ..... 298/18

**1 Claim, 3 Drawing Sheets**



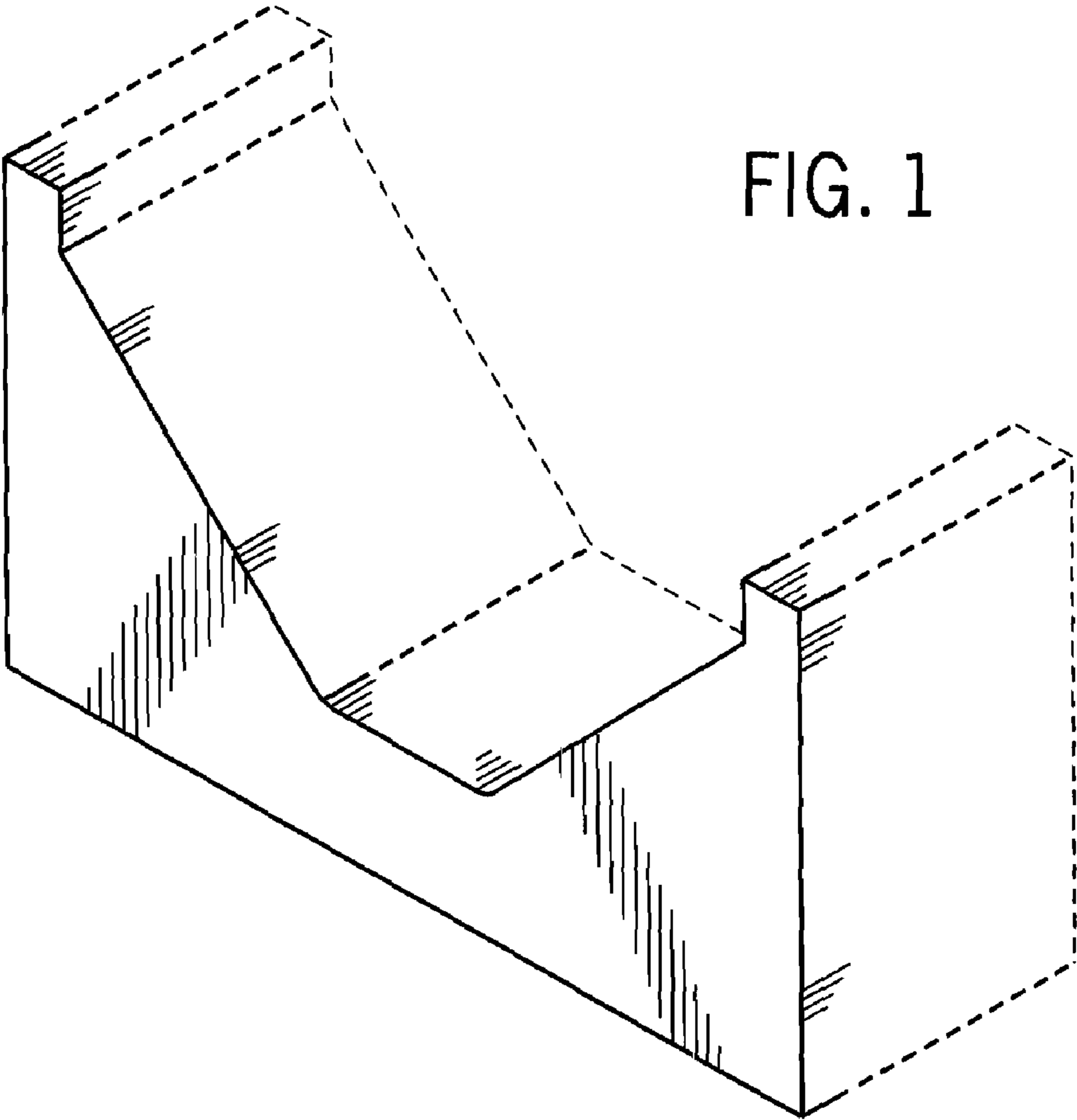


FIG. 1

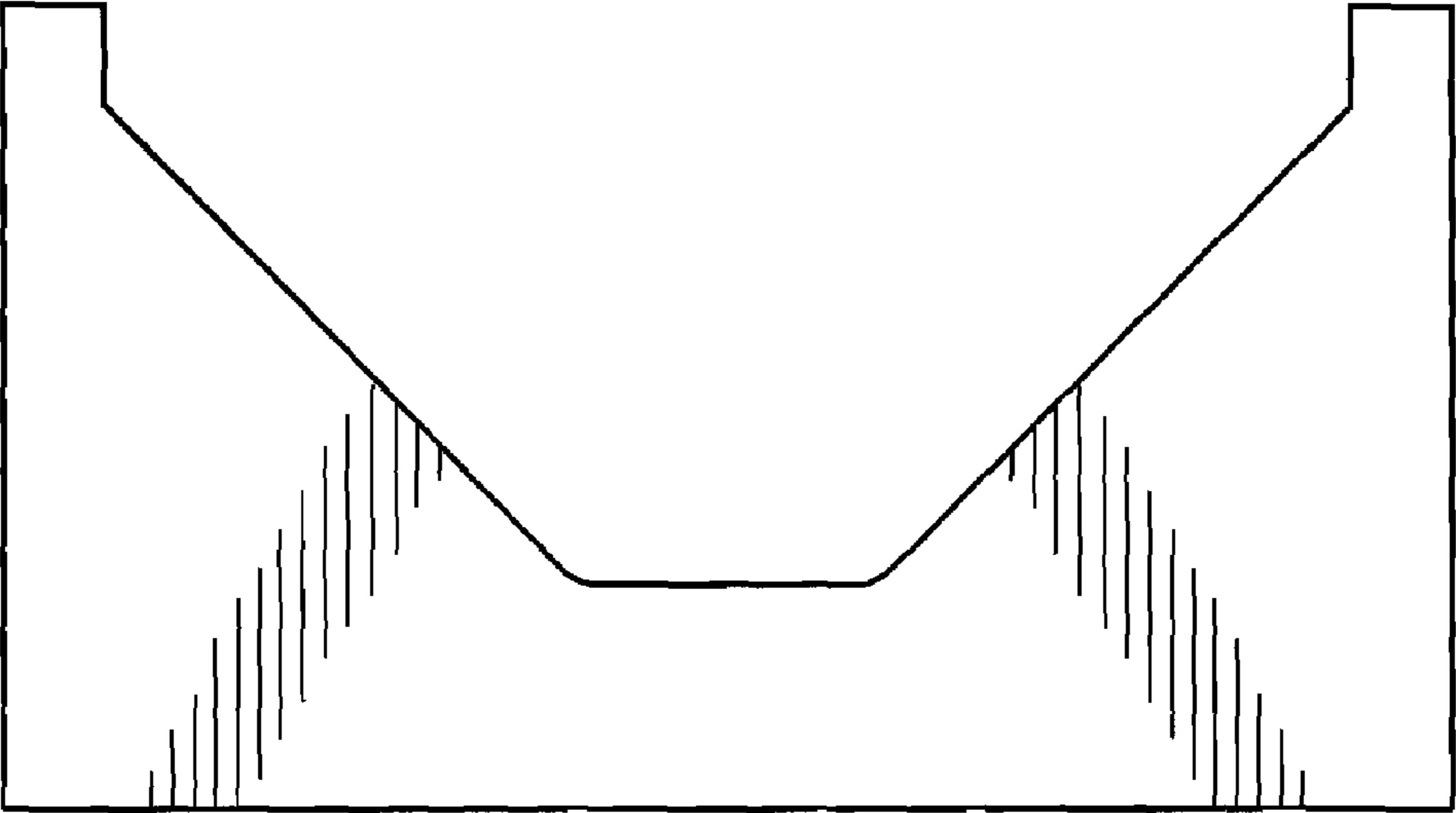


FIG. 2

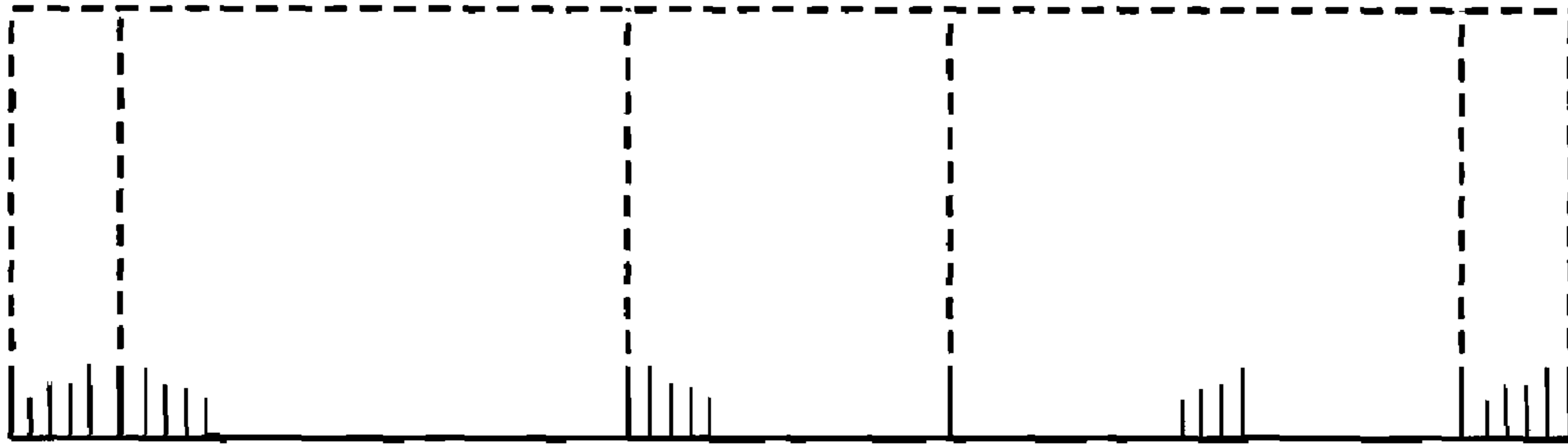


FIG. 3

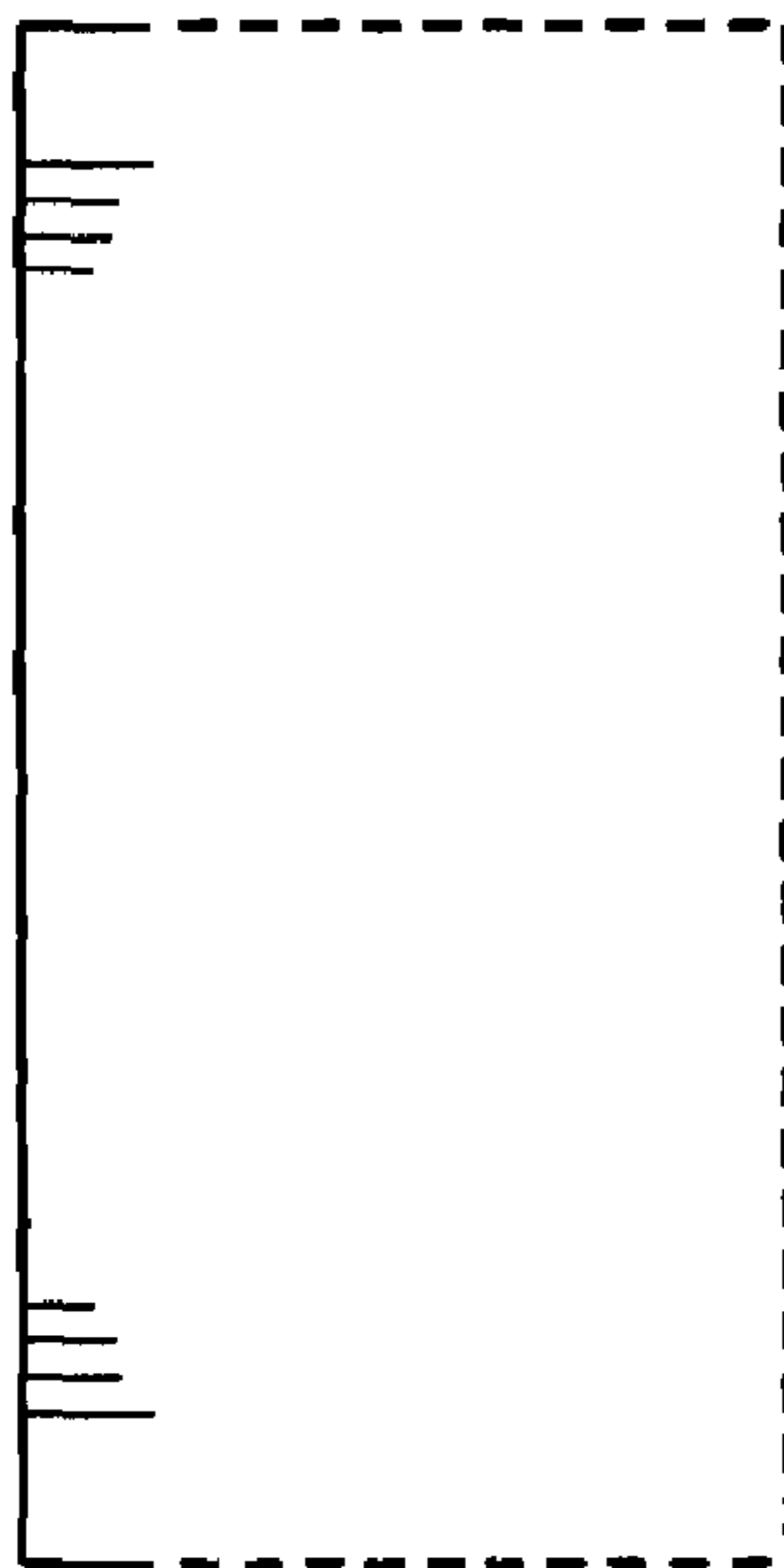


FIG. 4

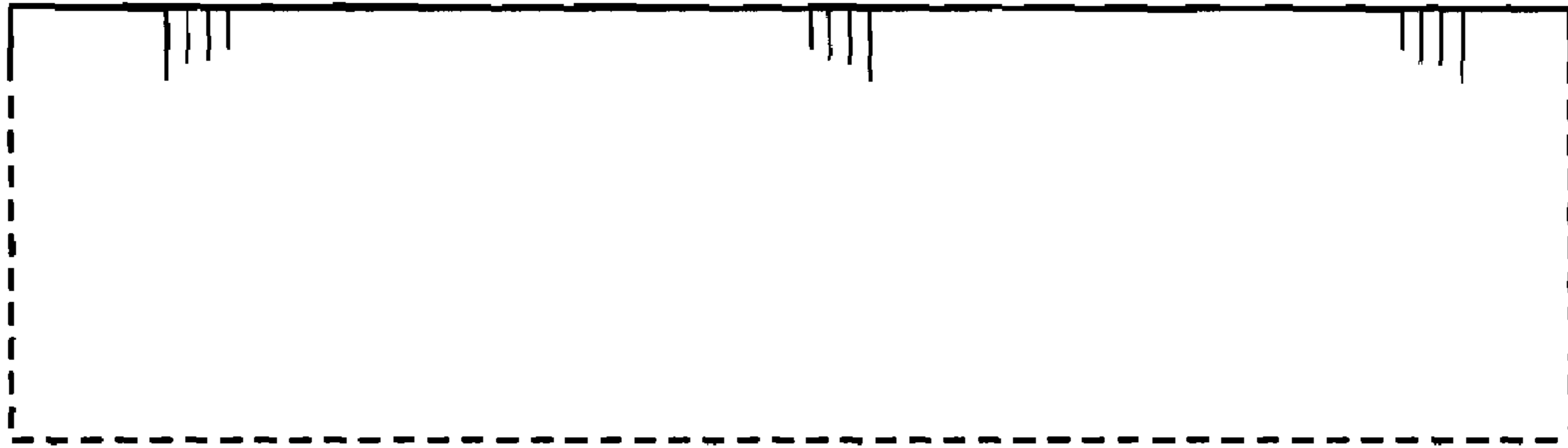


FIG. 5

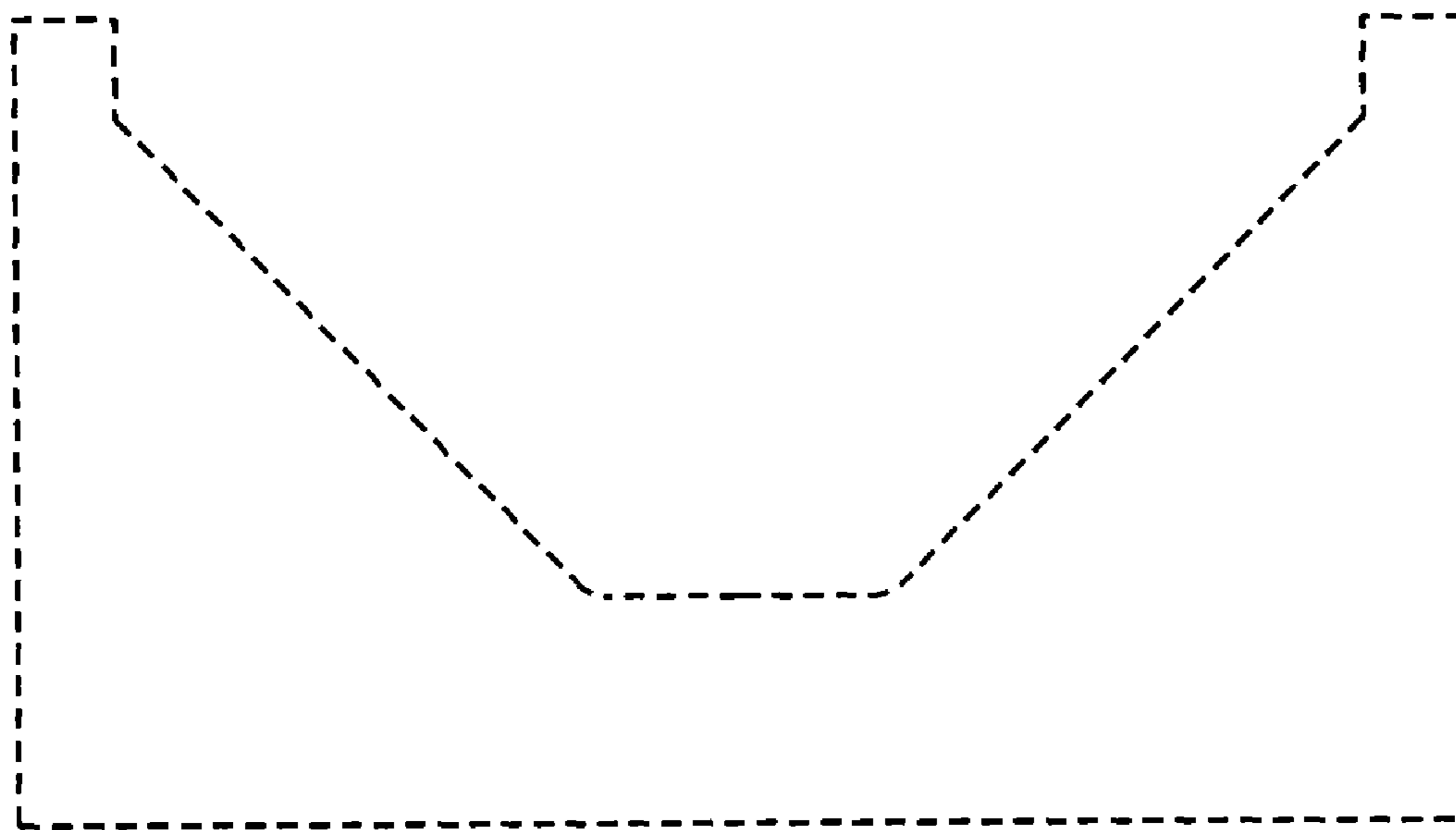


FIG. 6