



US00D563786S

(12) **United States Design Patent**
Welk et al.

(10) **Patent No.:** **US D563,786 S**
(45) **Date of Patent:** **** Mar. 11, 2008**

(54) **LID FOR TOBACCO CAN**
(75) Inventors: **Melvin Lee Welk**, Petersburg, PA (US);
L. Robert McVey, New Providence, PA
(US); **Gary Howard Caldwell**, Denver,
PA (US)

D514,936 S 2/2006 Pace et al.
D515,426 S 2/2006 Pace et al.
D515,429 S 2/2006 Pace
D515,439 S 2/2006 Pace
D515,928 S 2/2006 Pace
D523,752 S 6/2006 Bried et al.
D526,564 S * 8/2006 Slavin et al. D9/454

(73) Assignee: **J.L. Clark, Inc.**, Rockford, IL (US)

FOREIGN PATENT DOCUMENTS

(**) Term: **14 Years**

EP 0 219 297 1/1991

* cited by examiner

(21) Appl. No.: **29/277,527**

Primary Examiner—Gary D. Watson
Assistant Examiner—Susan Bennett Hattan
(74) *Attorney, Agent, or Firm*—Reinhart Boerner Van
Deuren P.C.

(22) Filed: **Feb. 28, 2007**

(51) **LOC (8) Cl.** **09-07**

(52) **U.S. Cl.** **D9/454**

(58) **Field of Classification Search** D9/746,
D9/529, 504, 454, 444, 443, 435, 434, 428;
D21/444, 387; 446/46-48; 220/212.5, 210,
220/377, 780; 215/303, 262, 253; 206/508;
D34/11; D7/677, 392.1

See application file for complete search history.

(57) **CLAIM**

I claim the ornamental design for a lid for tobacco can, as shown and described.

DESCRIPTION

FIG. 1 is a perspective view of a lid for tobacco can showing our new design, the embossing and container indicated by dashed lines forming no part of the claimed design;

FIG. 2 is a top view of the lid of FIG. 1 that also illustrates embossing in dashed lines, the embossing forming no part of the claimed design;

FIG. 3 is a bottom view of the lid of FIG. 1 that also illustrates embossing in dashed lines, the embossing forming no part of the claimed design;

FIG. 4 is a front view of the lid of FIG. 1;

FIG. 5 is a back view of the lid of FIG. 1;

FIG. 6 is a side view of the lid of FIG. 1;

FIG. 7 is a side view of the lid of FIG. 1 showing the side opposite that shown in FIG. 6; and,

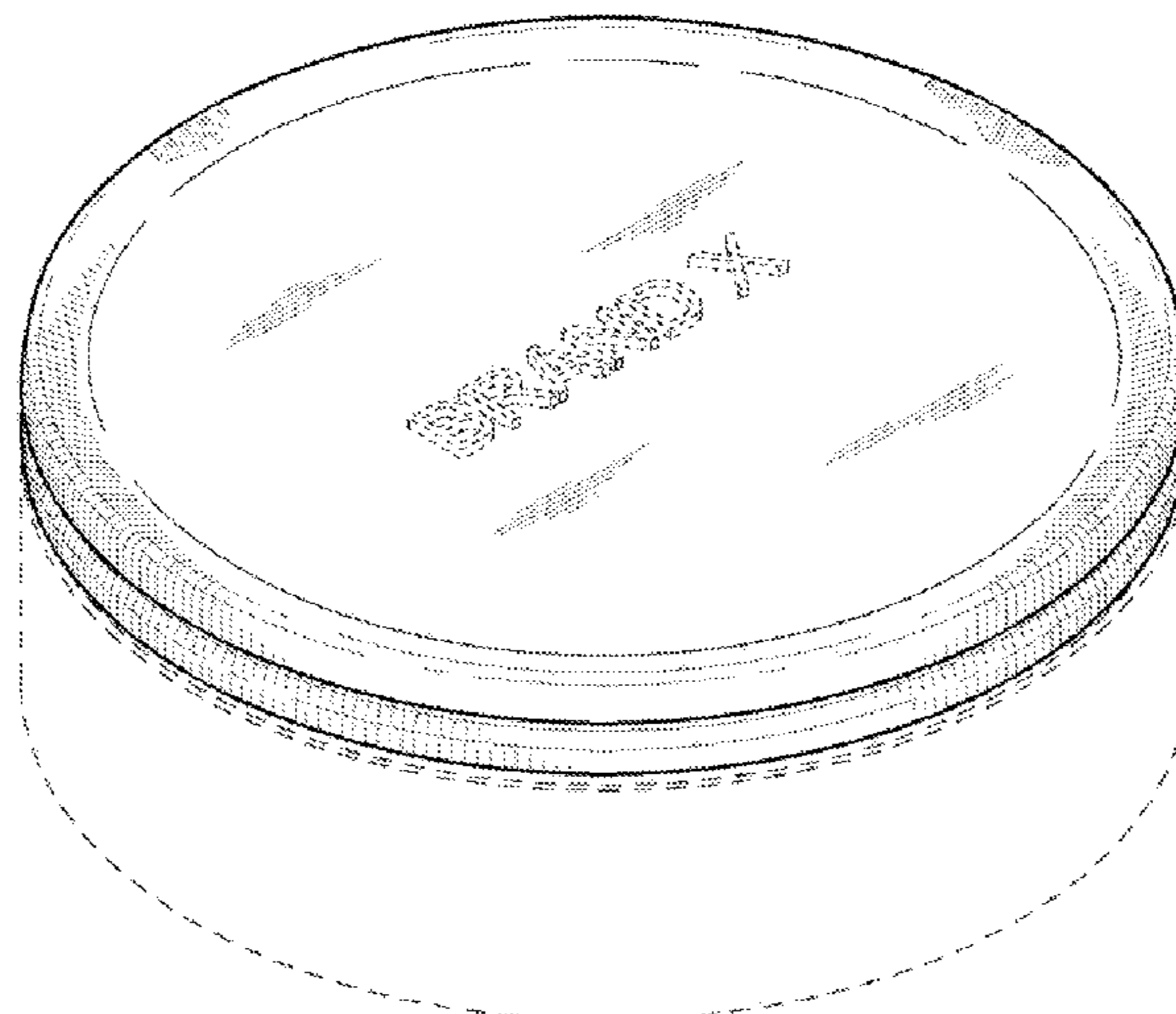
FIG. 8 is a cross sectional view of the lid of FIG. 1.

(56) **References Cited**

U.S. PATENT DOCUMENTS

2,047,951 A * 7/1936 Eberhart 220/377
2,493,086 A * 1/1950 Reifsnnyder 220/780
2,789,607 A * 4/1957 Tupper 220/780
D235,404 S * 6/1975 Swett D7/677
4,098,421 A 7/1978 Foster
D249,935 S * 10/1978 Williams D9/454
4,190,170 A 2/1980 Boyd
4,442,971 A * 4/1984 Helms 220/780
D286,026 S * 10/1986 Rayner D9/435
4,646,933 A 3/1987 Jurczenia et al.
D327,808 S * 7/1992 Kline D9/454
D489,504 S * 5/2004 Lin D34/11
D494,474 S 8/2004 Houk et al.
D499,025 S 11/2004 Houk et al.
D510,524 S 10/2005 Houk et al.
D512,636 S 12/2005 Pace
D513,386 S 1/2006 Pace et al.

1 Claim, 5 Drawing Sheets



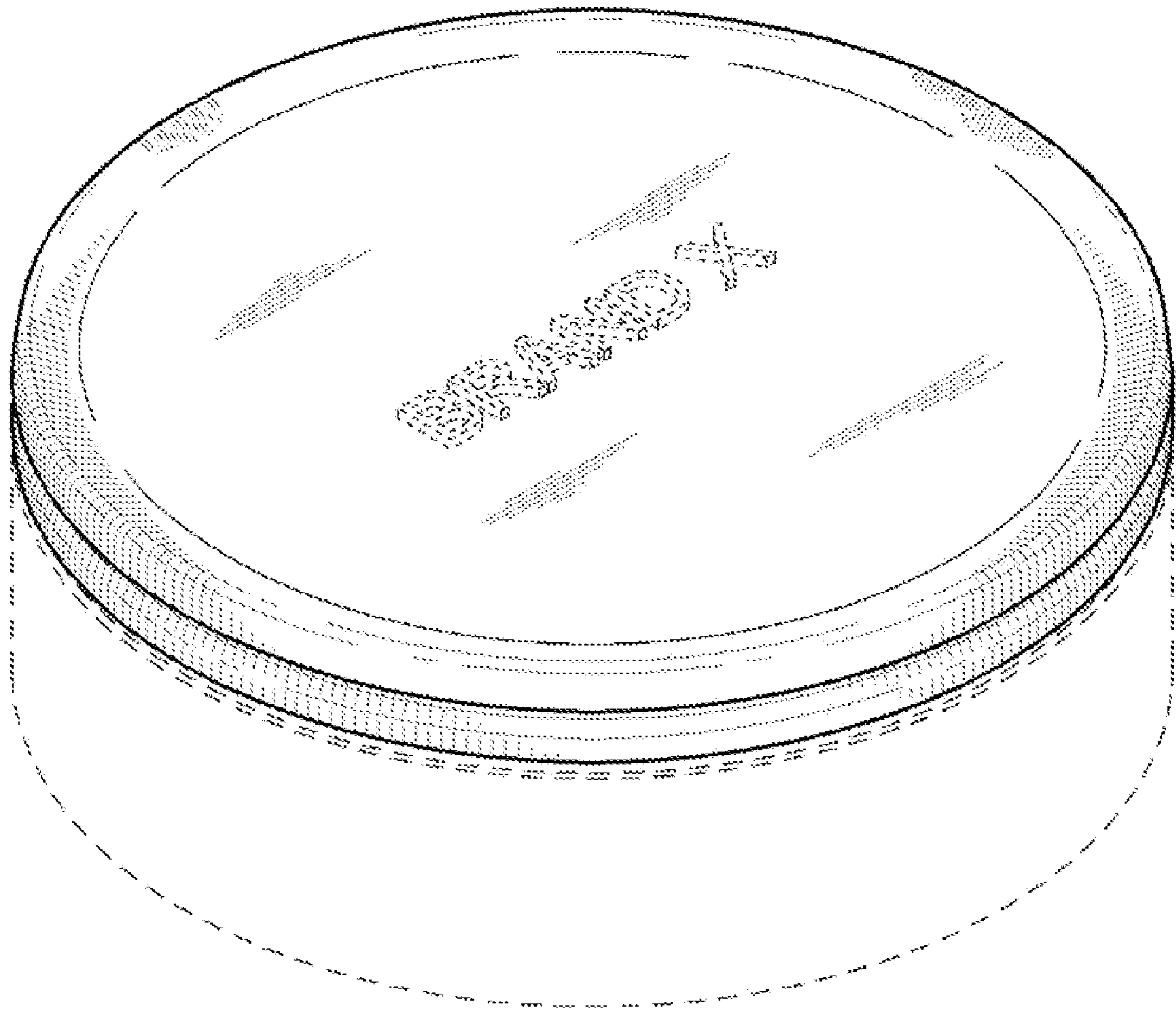


FIG. 1

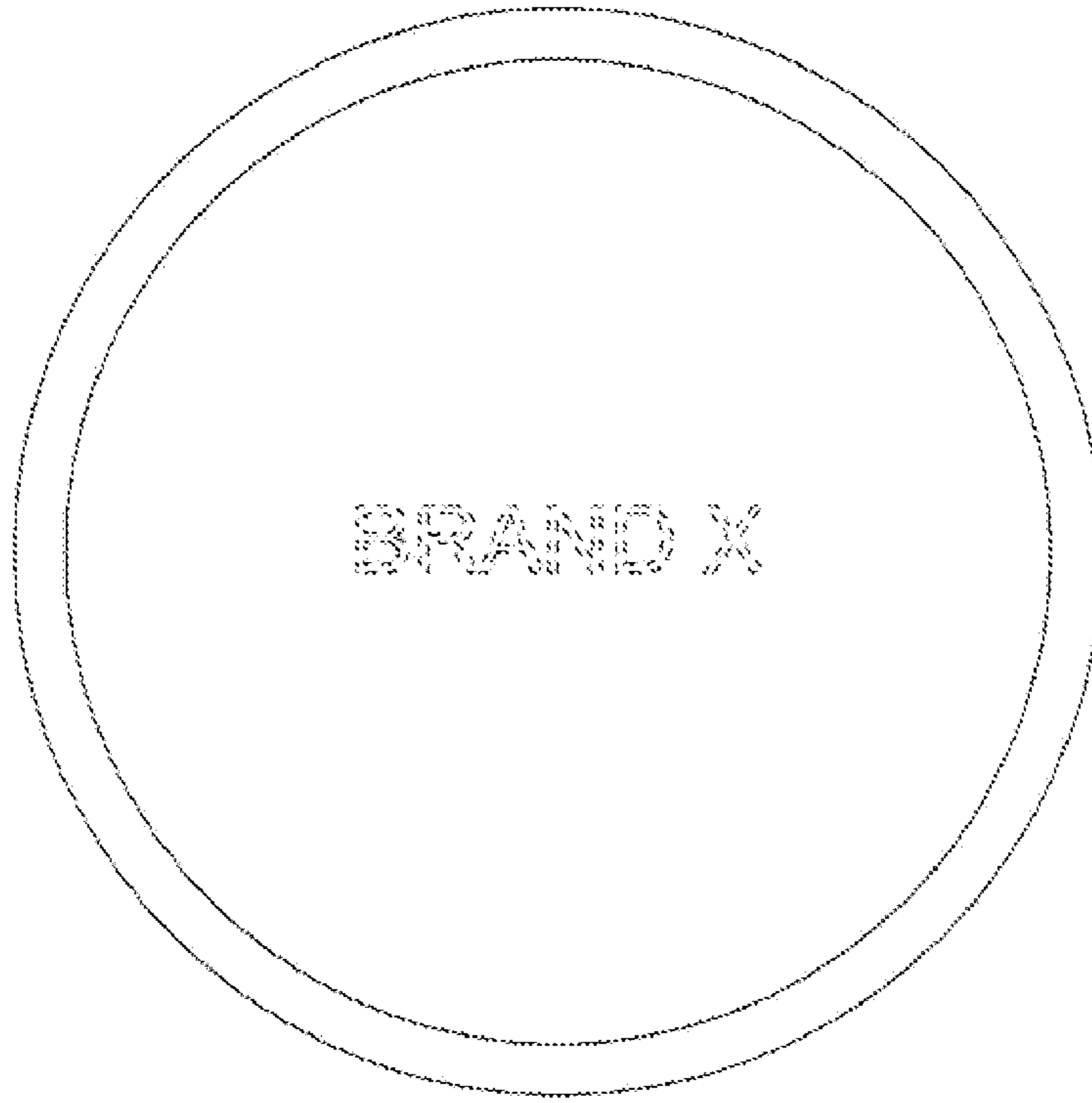


FIG. 2

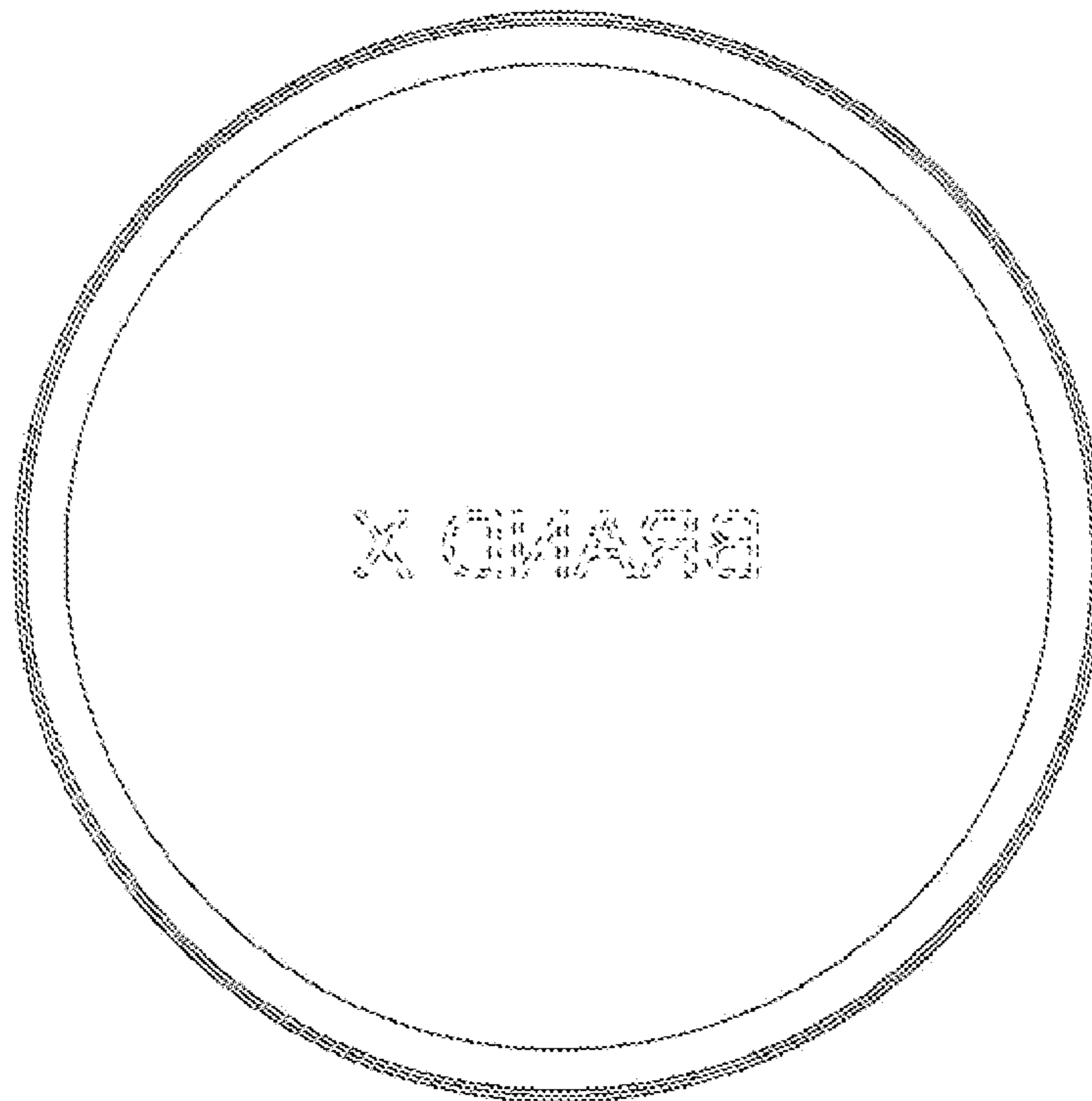


FIG. 3

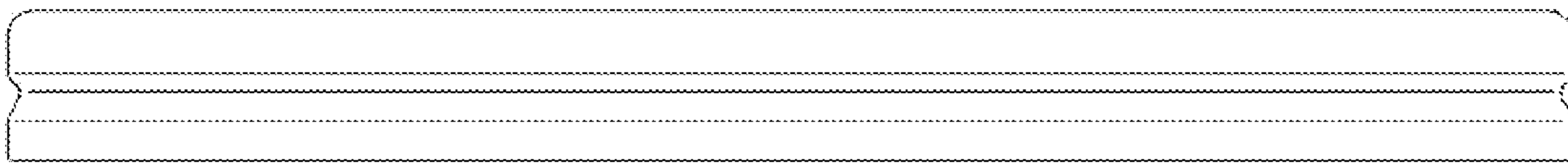


FIG. 4

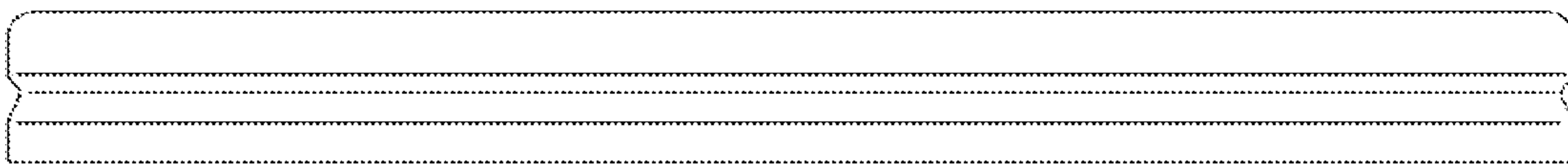


FIG. 5

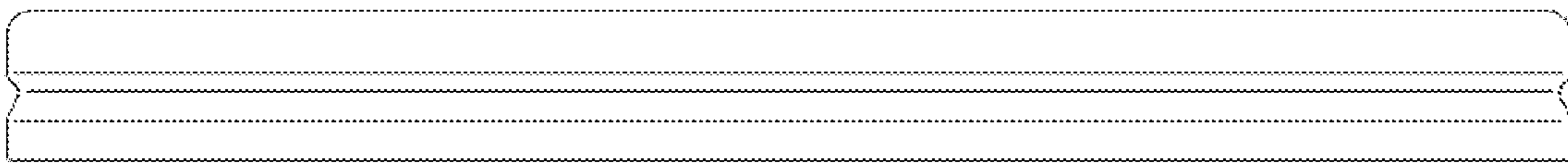


FIG. 6

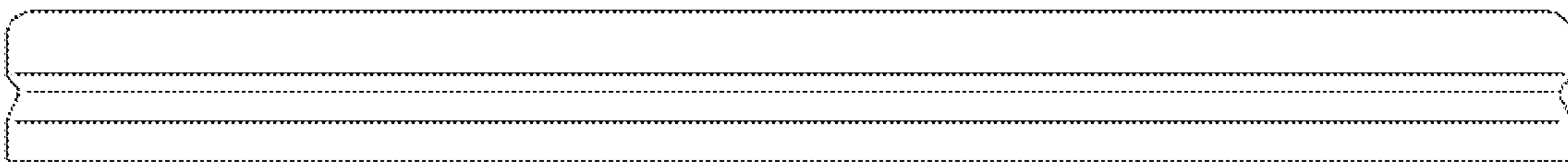


FIG. 7

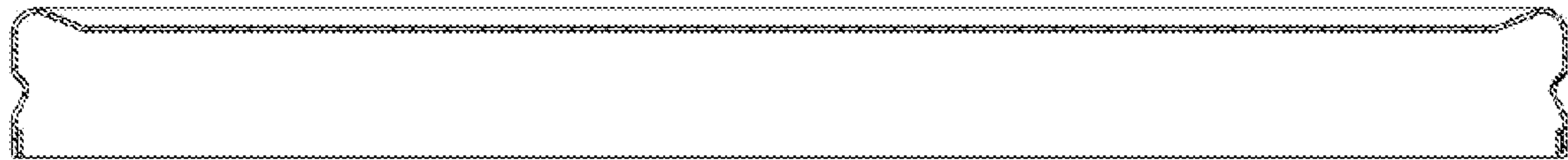


FIG. 8