



US00D563785S

(12) **United States Design Patent**
Maki et al.

(10) **Patent No.:** **US D563,785 S**

(45) **Date of Patent:** **** Mar. 11, 2008**

(54) **CONTAINER COVER**

(75) Inventors: **James Maki**, McHenry, IL (US);
Jeffrey W. George, Cary, IL (US);
Peter Clarke, Fairfield, CT (US);
Kevin Clay, Milford, CT (US)

(73) Assignee: **The Quaker Oats Company**, Chicago, IL (US)

(**) Term: **14 Years**

(21) Appl. No.: **29/257,974**

(22) Filed: **Apr. 13, 2006**

(51) **LOC (8) Cl.** **09-07**

(52) **U.S. Cl.** **D9/454**

(58) **Field of Classification Search** D9/447,
D9/435, 434, 624, 614, 451; D7/683, 671,
D7/396.2, 392.1; 221/63

See application file for complete search history.

(56) **References Cited**

U.S. PATENT DOCUMENTS

- 2,731,751 A * 1/1956 Green 446/28
- D230,556 S * 3/1974 Mallonn D7/391
- D266,818 S * 11/1982 Trombly D7/392.1
- D275,636 S * 9/1984 Picozza D7/392.1
- D281,758 S * 12/1985 Trombly D7/392.1
- D320,551 S * 10/1991 Wilson D9/447
- D332,897 S * 2/1993 Bucher et al. D7/629
- D350,843 S * 9/1994 VanValkenburg et al. D7/614

- 5,356,026 A * 10/1994 Andress et al. 206/508
- D358,302 S * 5/1995 VanValkenburg et al. D7/614
- D373,704 S * 9/1996 Doxey D7/391
- D383,939 S * 9/1997 Jeppesen et al. D7/392.1
- 5,695,086 A * 12/1997 Viola 220/287
- D415,652 S * 10/1999 Loew et al. D7/392.1
- D432,857 S * 10/2000 Ming-Shiue D7/392.1

* cited by examiner

Primary Examiner—Gary D. Watson

Assistant Examiner—Susan Bennett Hattan

(74) *Attorney, Agent, or Firm*—Banner & Witcoff, Ltd.

(57) **CLAIM**

The ornamental design for a container cover, as shown and described.

DESCRIPTION

FIG. 1 is a perspective view of a container cover showing this invention;

FIG. 2 is a top view of the container cover as shown in FIG. 1;

FIG. 3 is a bottom view of the container cover as shown in FIG. 1; and,

FIG. 4 is an elevational view of the side of the container cover as shown in FIG. 1.

The broken lines in FIG. 3 represent unclaimed boundary lines and form no part of the claimed design.

1 Claim, 2 Drawing Sheets

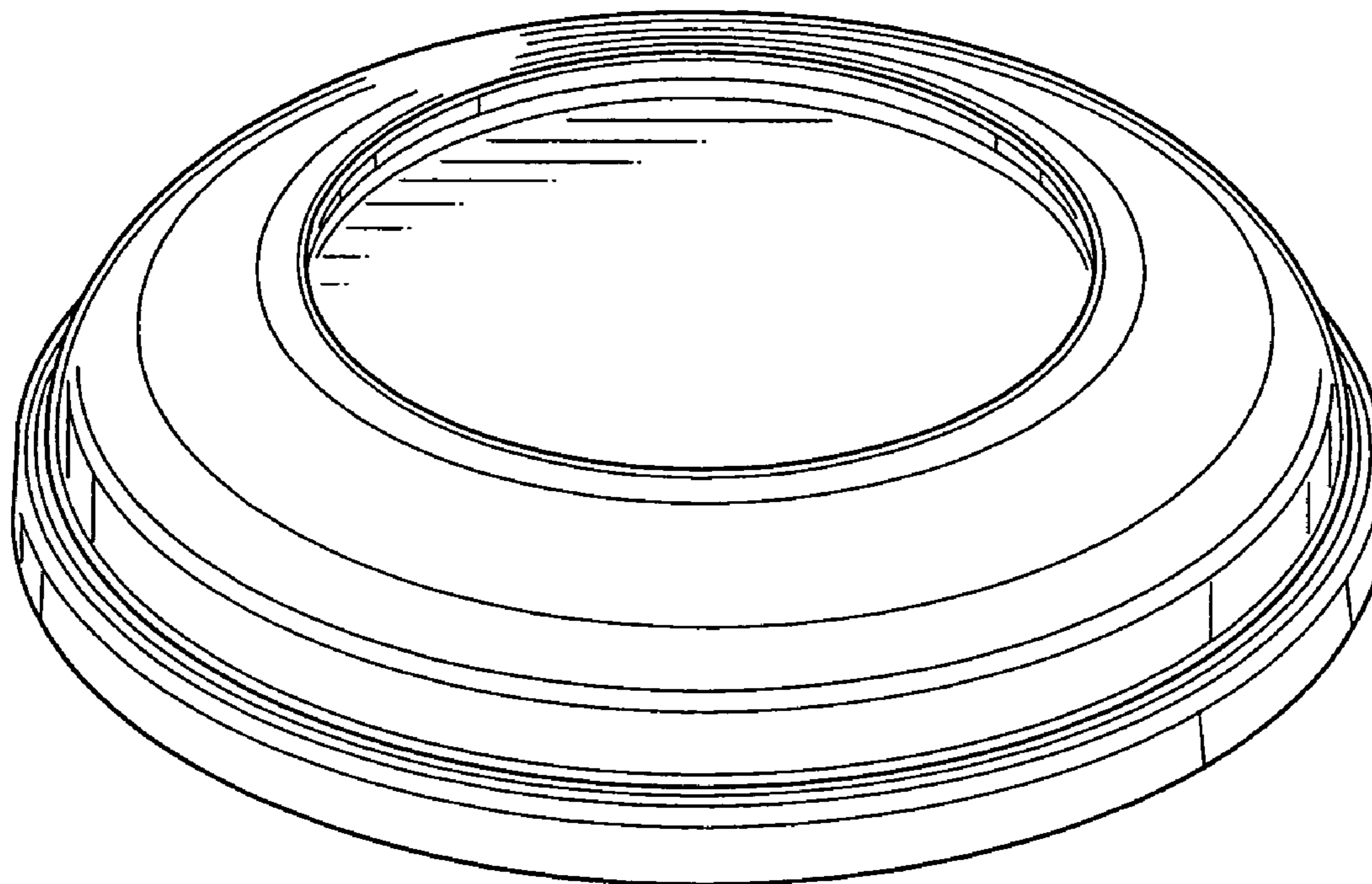


Fig. 1

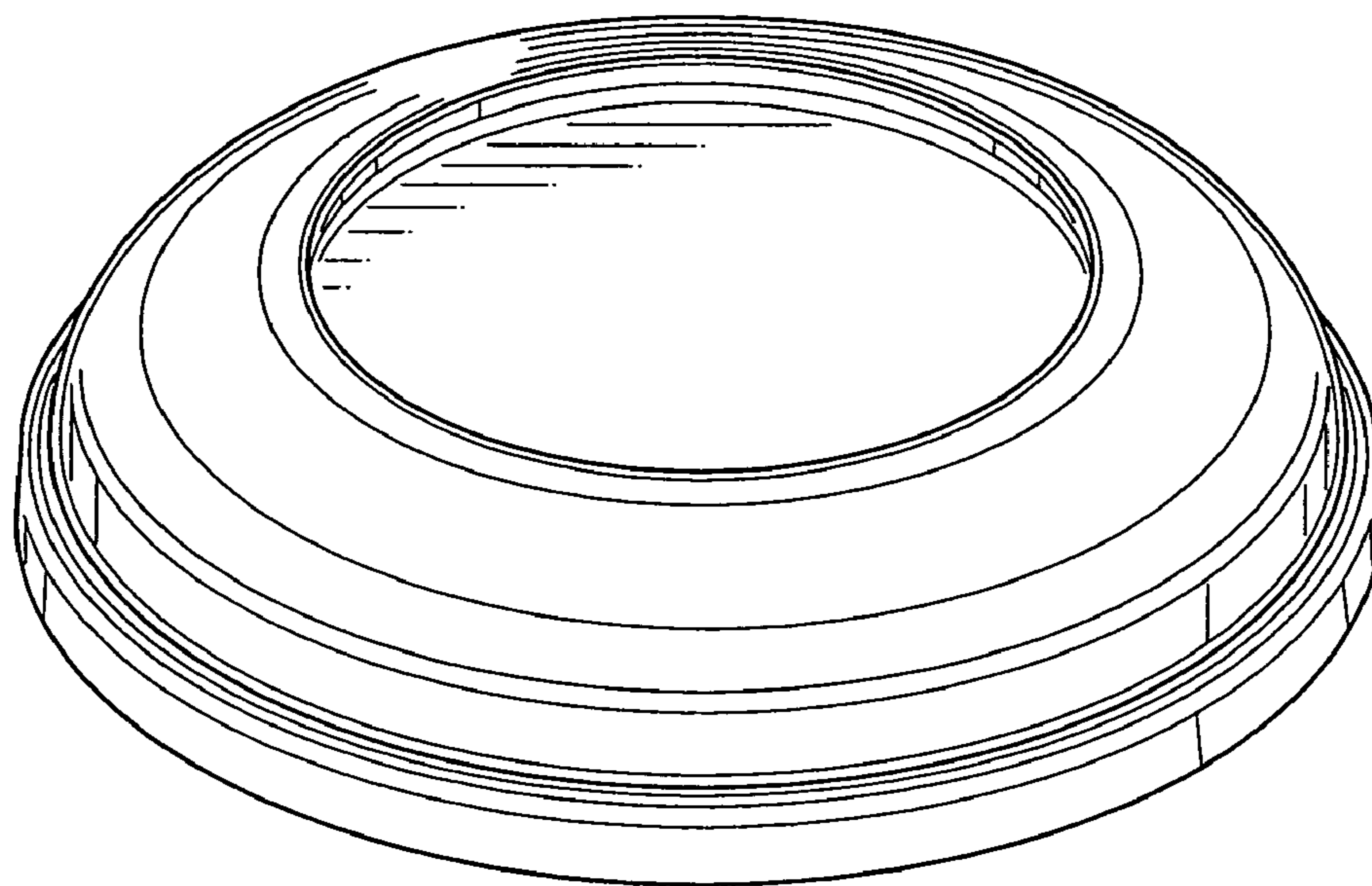


Fig. 2

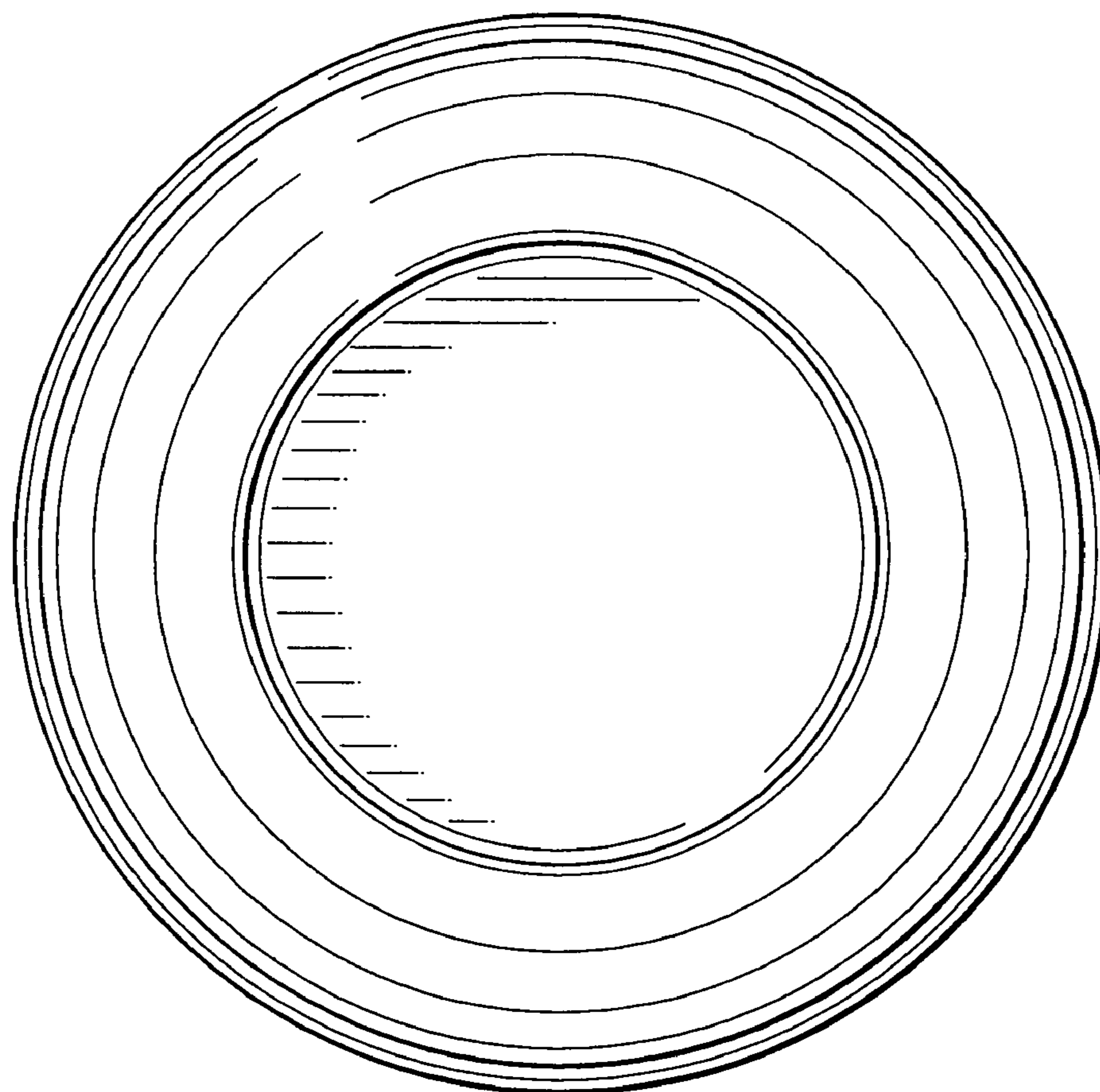


Fig. 3

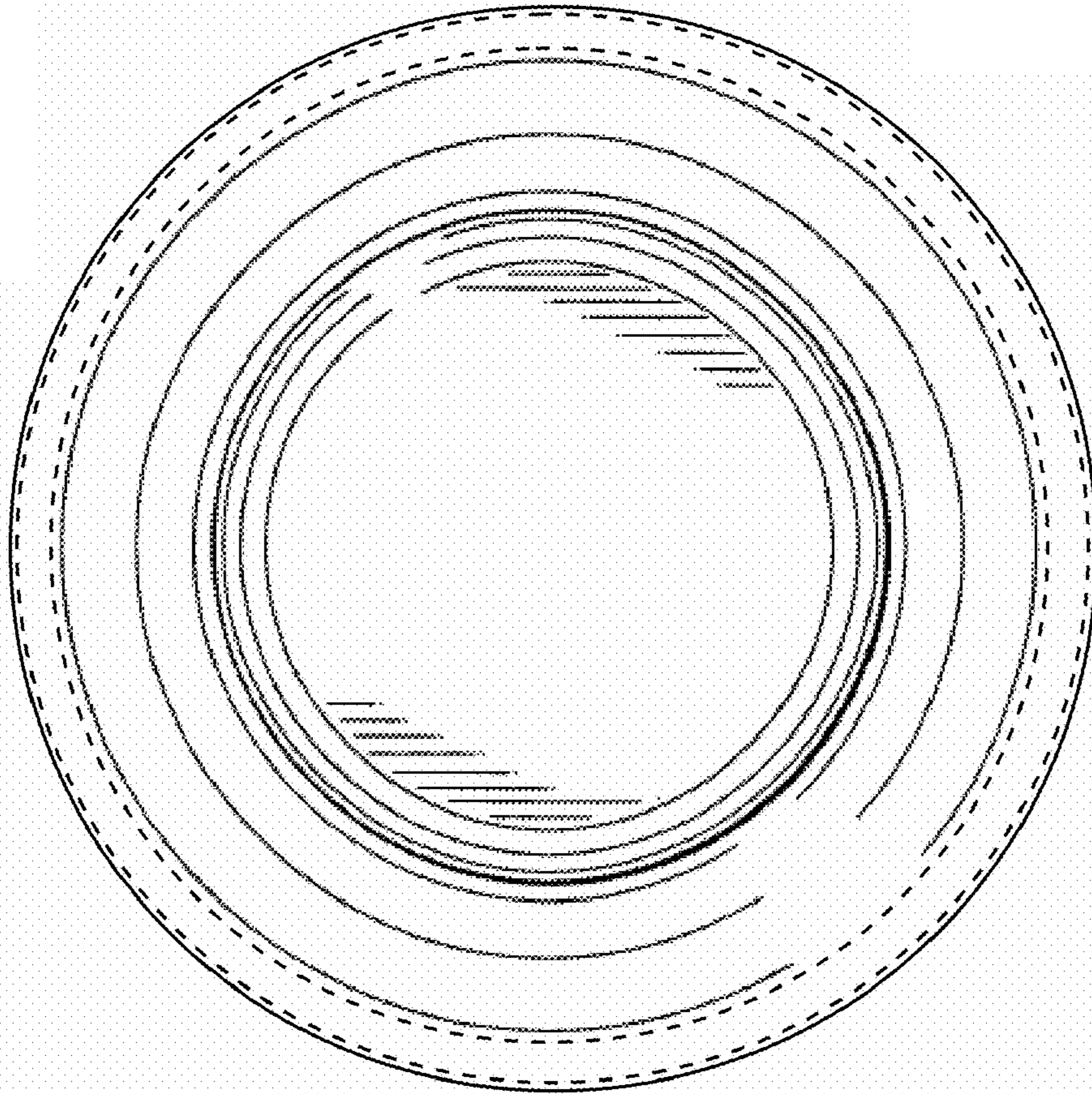


Fig. 4

