



US00D563783S

(12) **United States Design Patent**
Fily et al.

(10) **Patent No.:** **US D563,783 S**
(45) **Date of Patent:** **** Mar. 11, 2008**

(54) **CONTAINER CLOSURE**

(75) Inventors: **Sébastien Lucien Fily**, Gaillard (FR);
William Leonard Morley, Evian (FR);
Vincent Sebille, Etamps (FR);
Stéphane Rault, Paris (FR)

(73) Assignee: **Bayer Consumer Care AG**, Basel
(CH)

(**) Term: **14 Years**

(21) Appl. No.: **29/259,732**

(22) Filed: **May 15, 2006**

(30) **Foreign Application Priority Data**

Nov. 15, 2005 (EM) 000432331-001
Feb. 28, 2006 (EM) 000485859

(51) **LOC (8) Cl.** **09-07**

(52) **U.S. Cl.** **D9/439; D9/454; D9/449**

(58) **Field of Classification Search** D9/529,
D9/504, 454, 452, 451, 445, 439, 438, 435,
D9/449, 447; D24/224, 221; 220/288, 214;
215/901, 252

See application file for complete search history.

(56) **References Cited**

U.S. PATENT DOCUMENTS

2,169,686 A * 8/1939 Fabrice 215/254

2,864,521 A * 12/1958 Kundert 215/252
3,276,613 A * 10/1966 Bozek 215/254
D381,906 S * 8/1997 Bartsch D9/438
D410,843 S * 6/1999 Mogard D9/438
D527,633 S * 9/2006 Stull et al. D9/454

* cited by examiner

Primary Examiner—Gary D. Watson
Assistant Examiner—Susan Bennett Hattan

(57) **CLAIM**

The ornamental design for a container closure, as shown and described.

DESCRIPTION

FIG. 1 is an illustrative view of the container closure of the invention;

FIG. 2 is a front elevational view thereof;

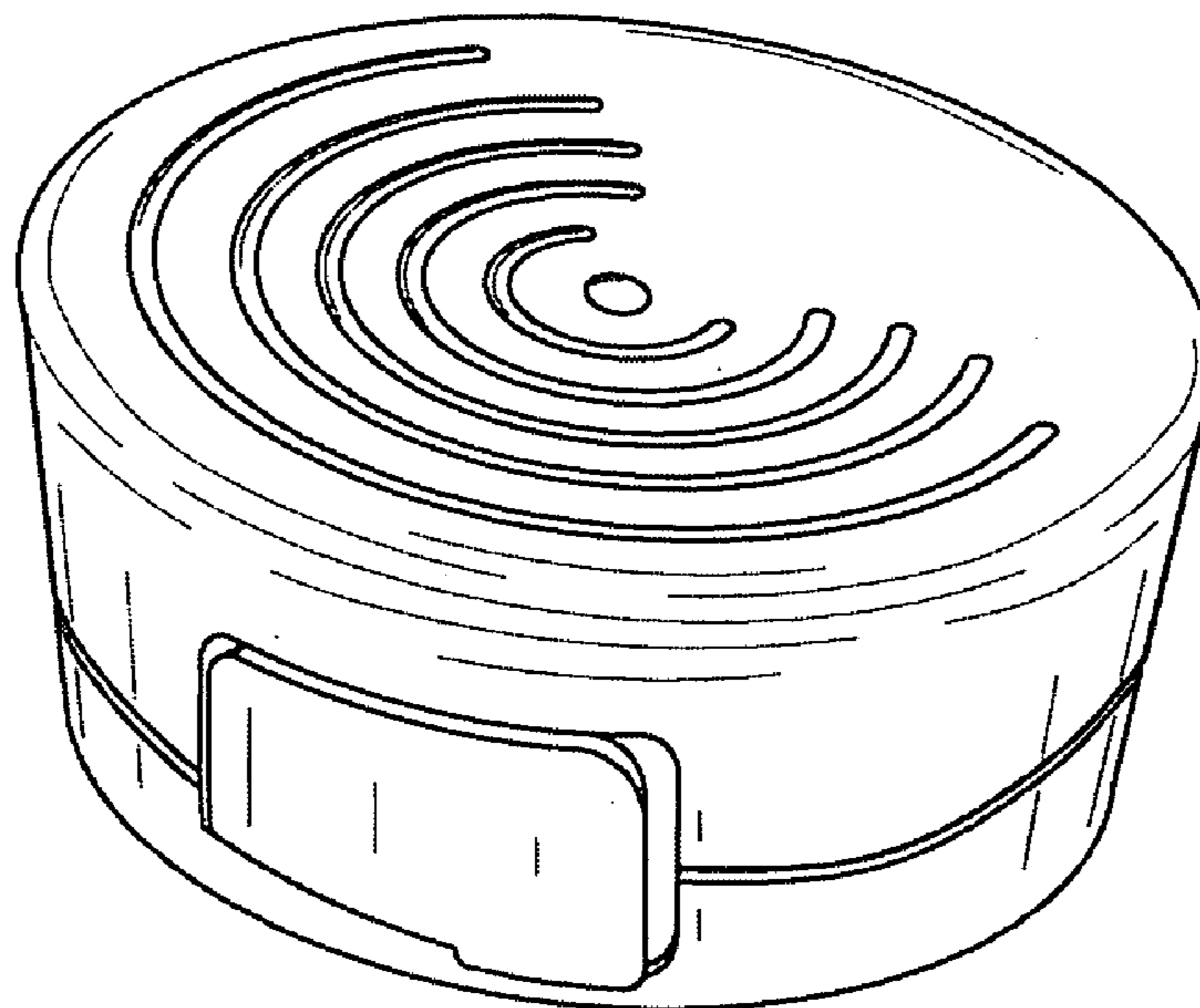
FIG. 3 is a rear elevational view thereof;

FIG. 4 is a top view thereof; and,

FIG. 5 is a bottom view thereof.

The broken lines in the drawing depict environmental subject matter only and form no part of the claimed design.

1 Claim, 3 Drawing Sheets



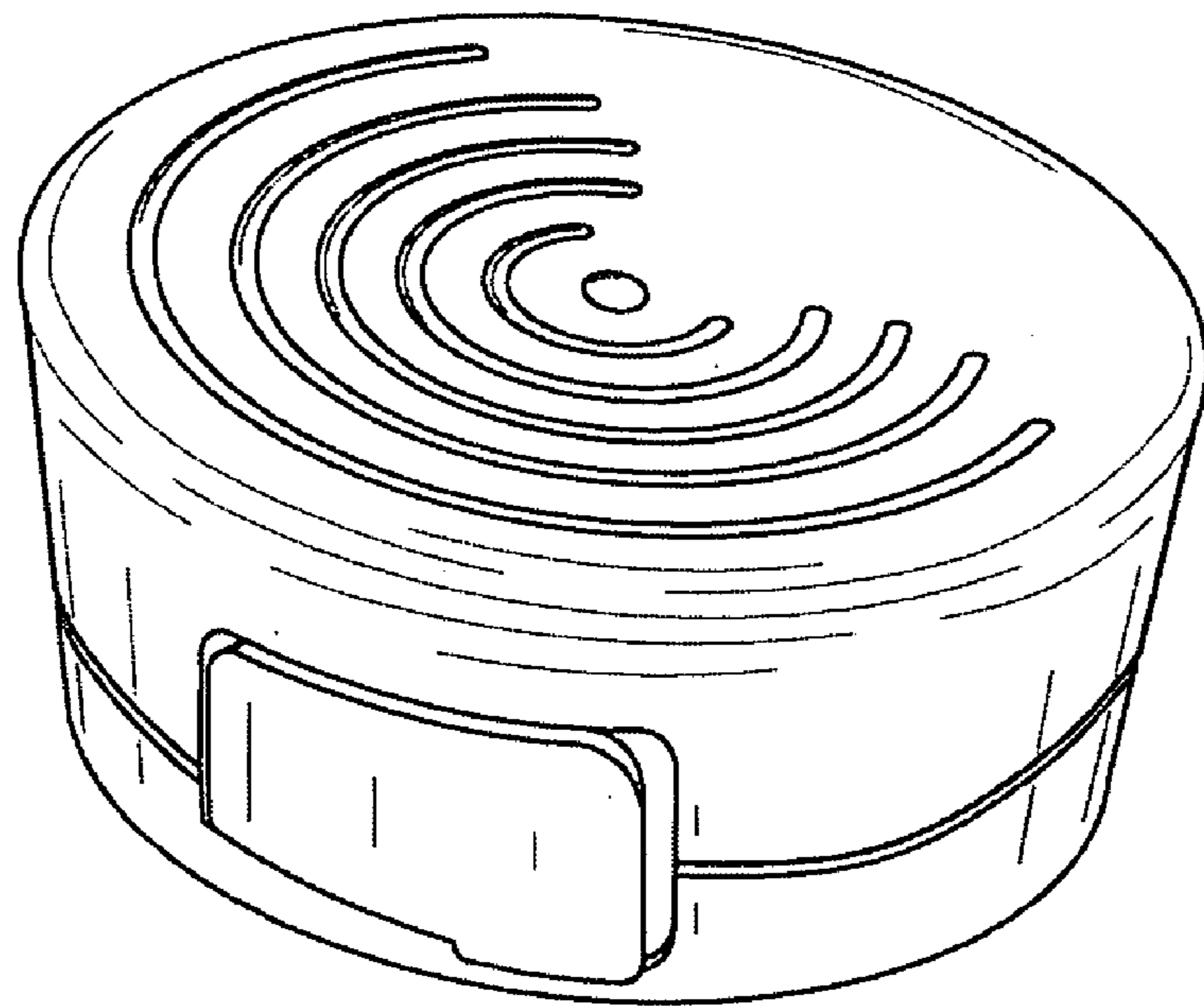


FIG. 1

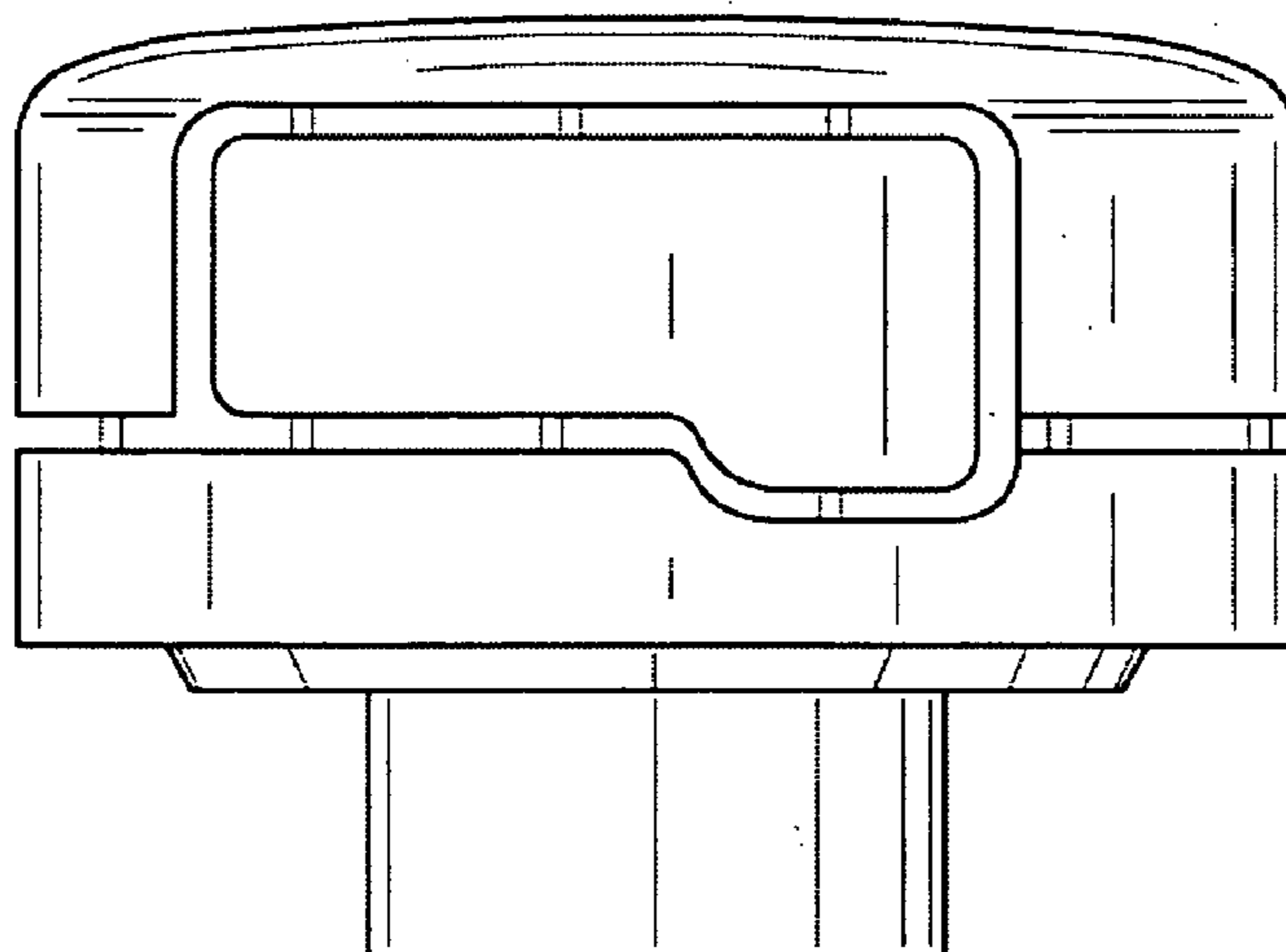


FIG. 2

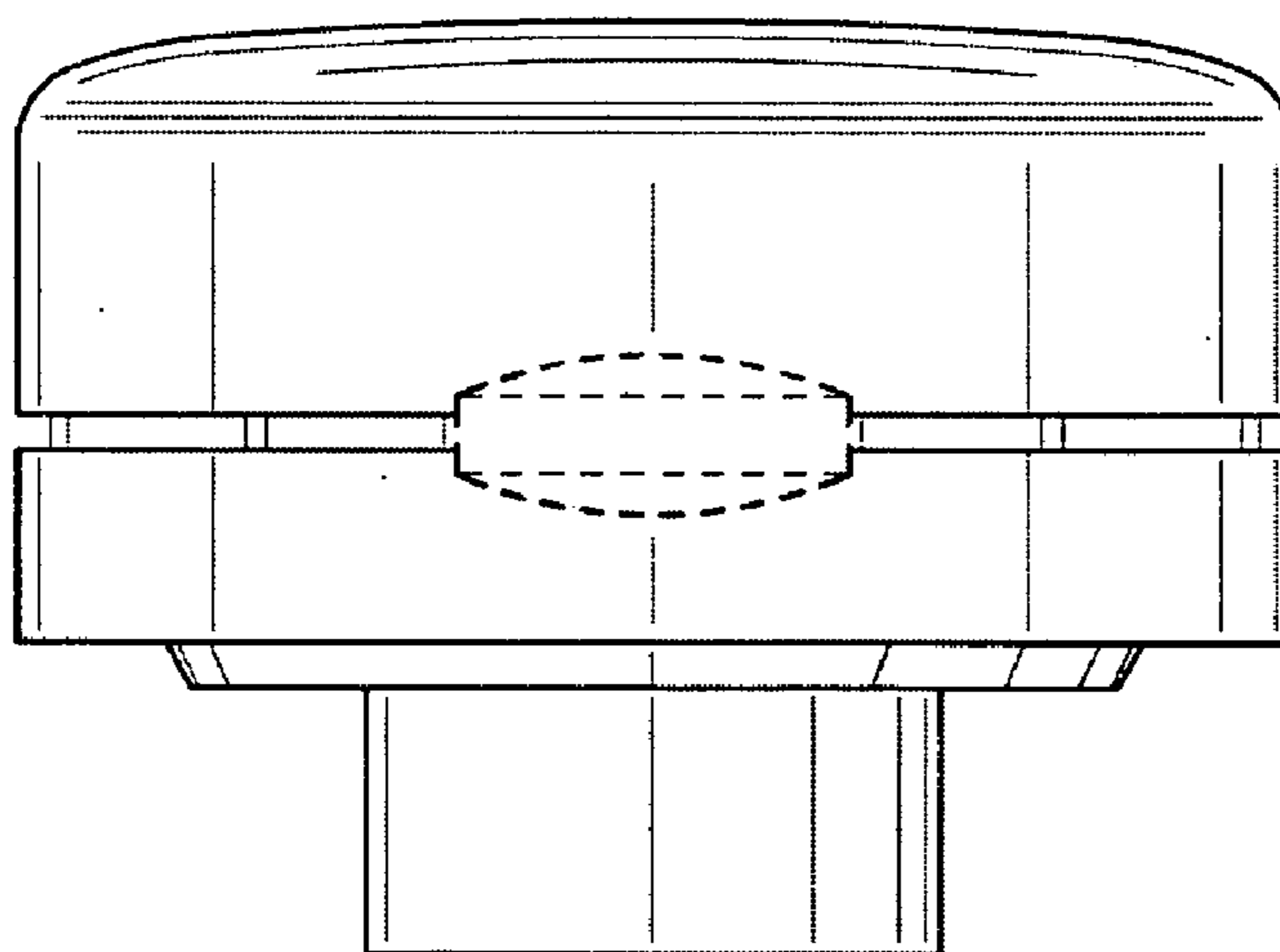


FIG. 3

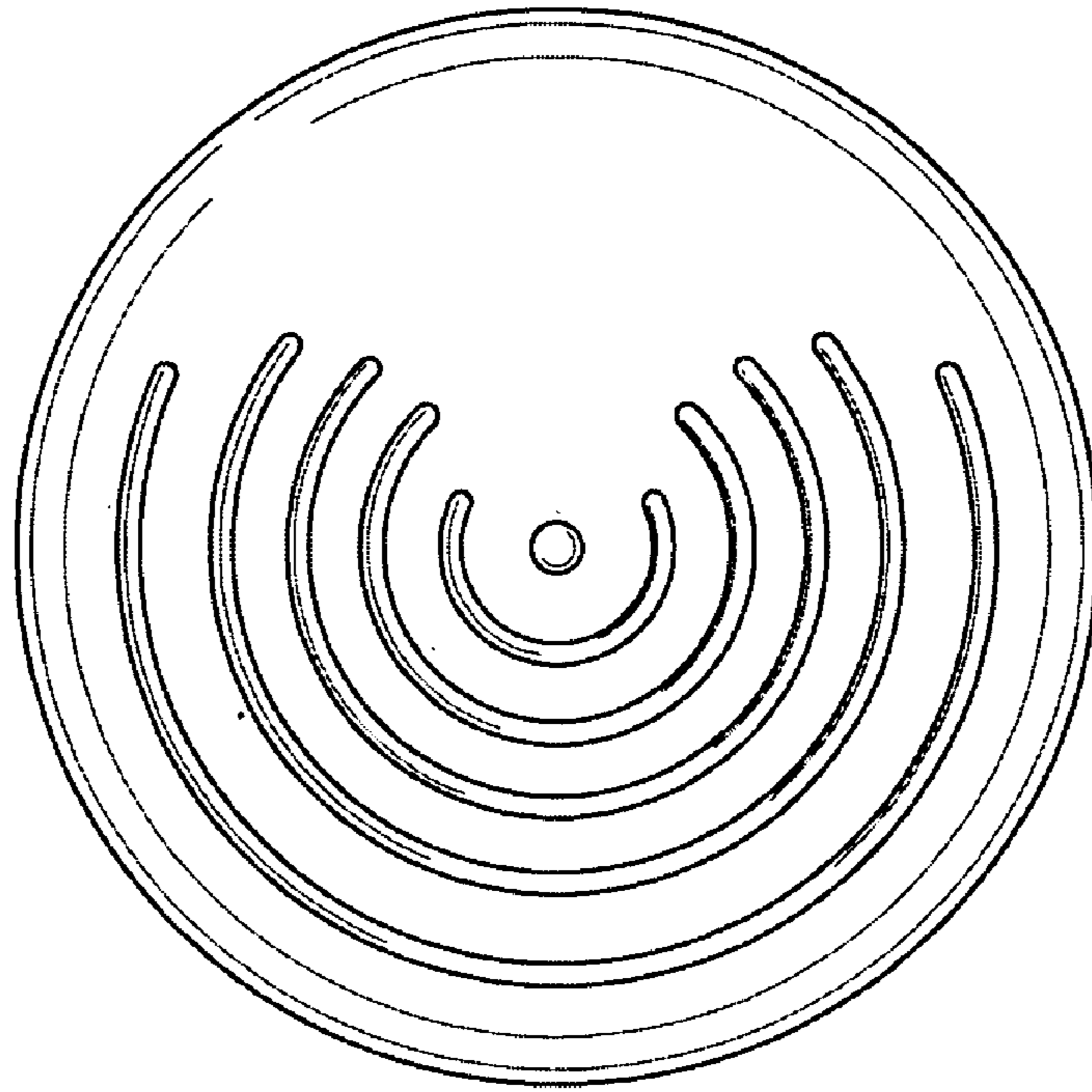


FIG. 4

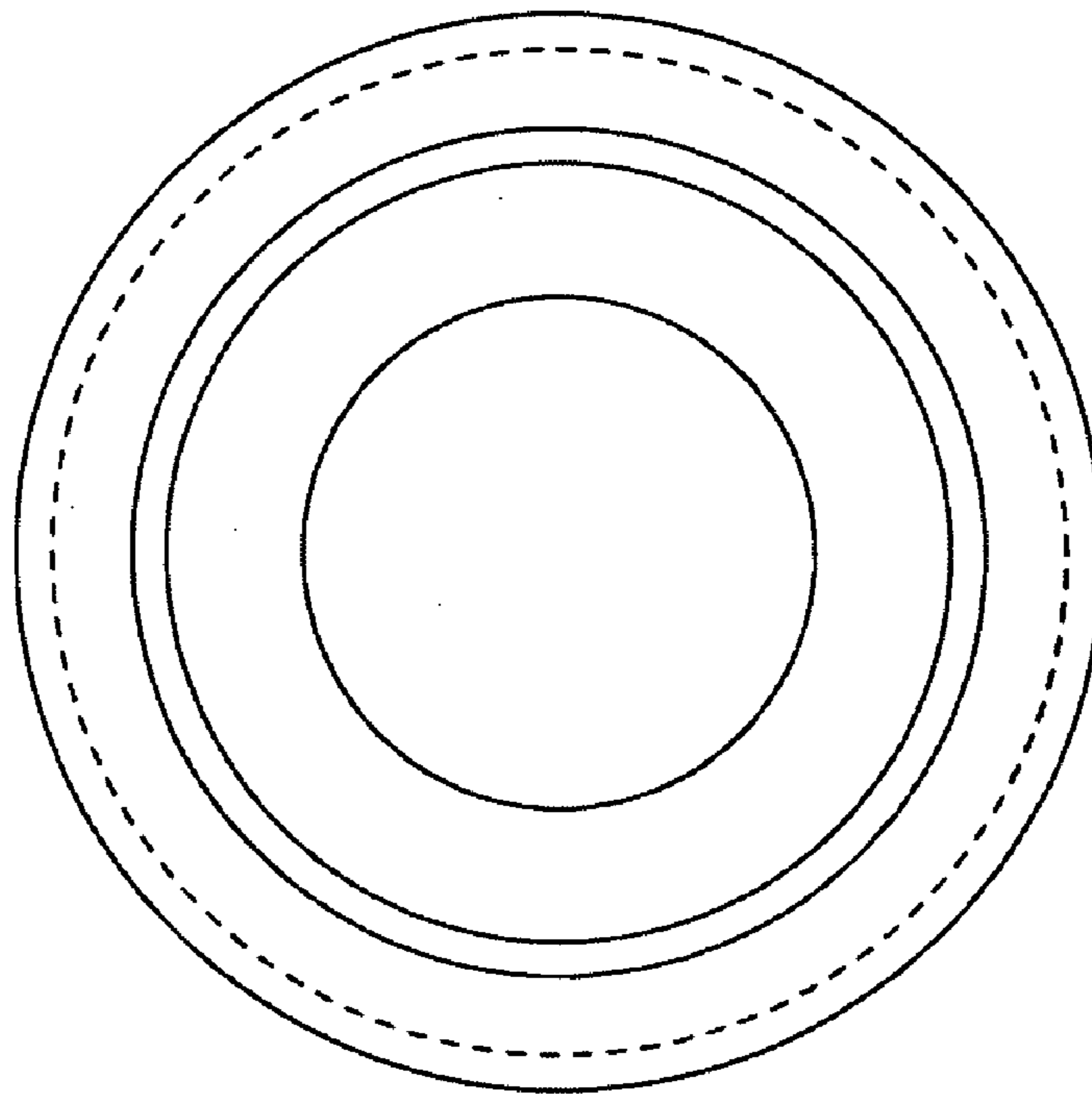


FIG. 5