

US00D563781S

(12) **United States Design Patent**
Carnevali

(10) **Patent No.:** **US D563,781 S**

(45) **Date of Patent:** **** Mar. 11, 2008**

(54) **PORTABLE AVIATION CLAMP**

D509,729 S * 9/2005 Proudfit D9/415
2007/0102603 A1* 5/2007 Newell 248/219.2

(76) Inventor: **Jeffrey D. Carnevali**, 5957 Beach Dr.
SW., Seattle, WA (US) 98136

* cited by examiner

(**) Term: **14 Years**

Primary Examiner—Stella M. Reid

Assistant Examiner—John Windmuller

(21) Appl. No.: **29/288,138**

(74) *Attorney, Agent, or Firm*—Charles J. Rupnick, Attorney
at Law

(22) Filed: **May 31, 2007**

(57) **CLAIM**

Related U.S. Application Data

The ornamental design for a portable aviation clamp, as
shown and described.

(63) Continuation of application No. 11/809,281, filed on
May 31, 2007.

DESCRIPTION

(51) **LOC (8) Cl.** **08-08**

FIG. 1 is a top plan view of a portable aviation clamp
showing my new design;

(52) **U.S. Cl.** **D8/395**

FIG. 2 is a front elevational view thereof;

(58) **Field of Classification Search** D8/354–356,
D8/371, 376, 394–396, 382; 24/16 R, 279;
248/49, 62, 74.1–74.4, 73, 276.1, 288.31,
248/181.1, 181.2, 181.3

FIG. 3 is a left side elevational view thereof;

FIG. 4 is a bottom plan view thereof;

See application file for complete search history.

FIG. 5 is a rear elevational view thereof; and,

FIG. 6 is a left side elevational view thereof.

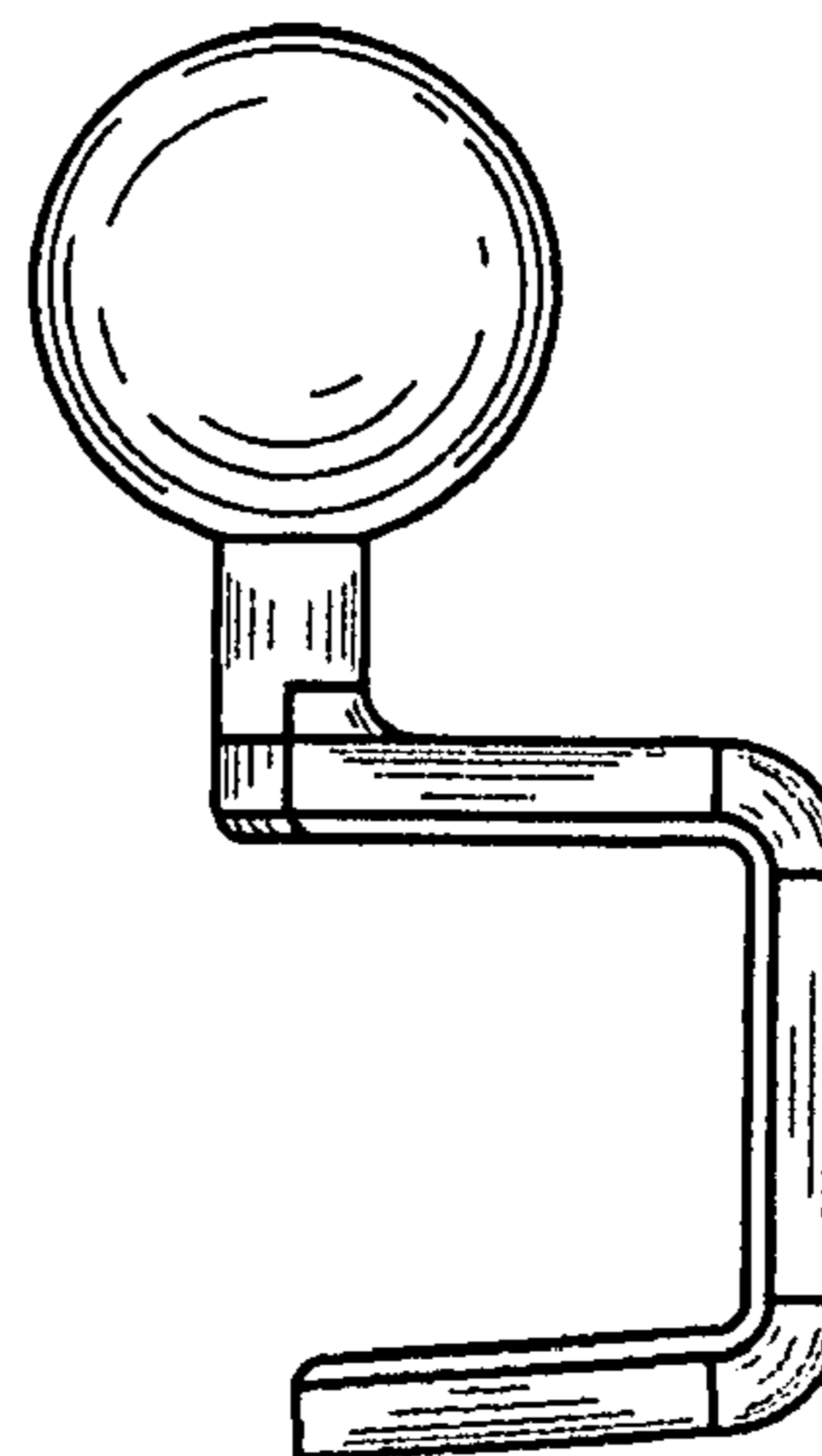
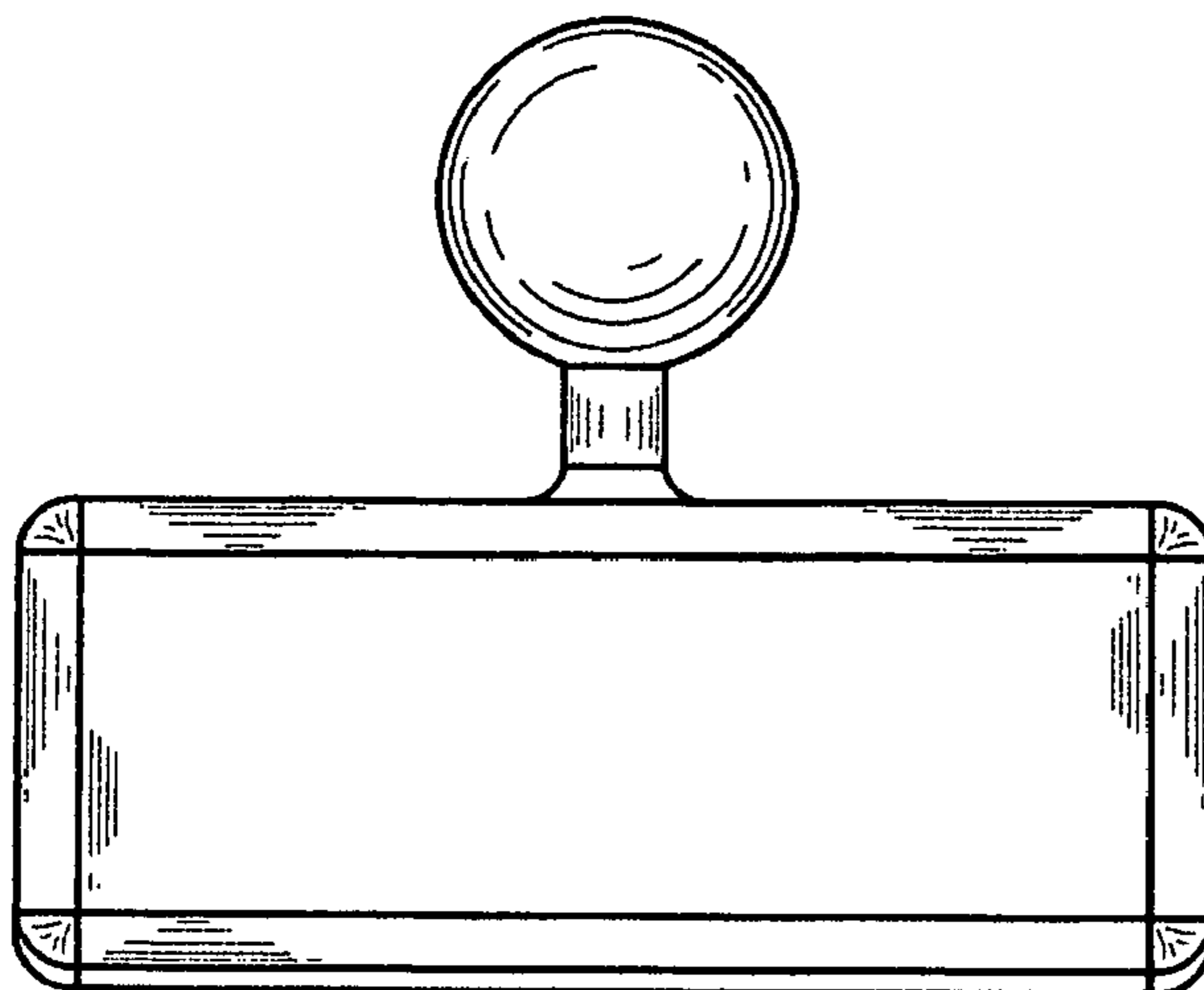
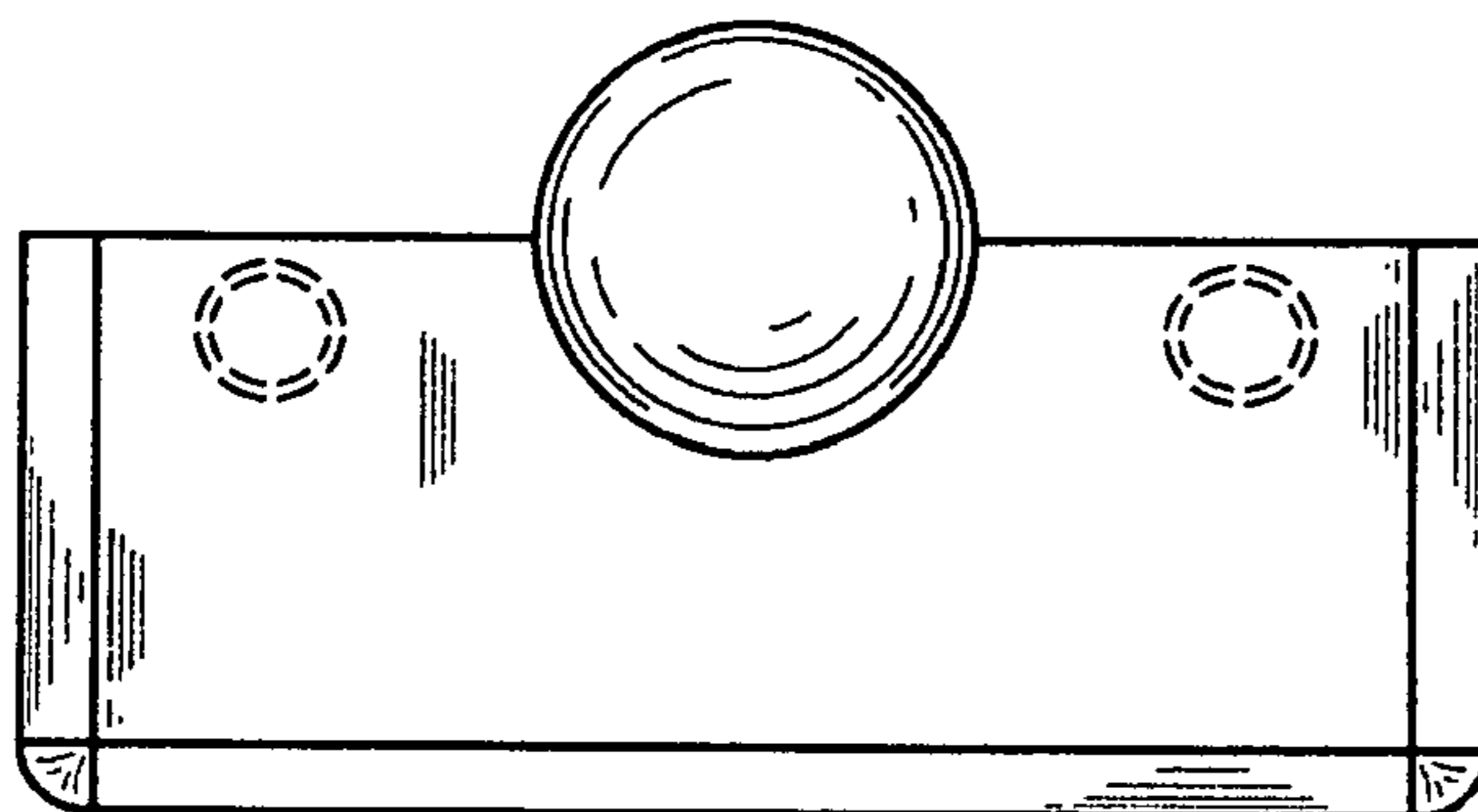
(56) **References Cited**

The broken line showing of two holes in FIG. 1 is included
for the purpose of illustrating environment and forms no part
of the claimed design.

U.S. PATENT DOCUMENTS

5,845,885 A 12/1998 Carnevali
6,561,476 B2 5/2003 Carnevali
6,581,892 B2 6/2003 Carnevali
D476,881 S * 7/2003 Niwa D8/395

1 Claim, 2 Drawing Sheets



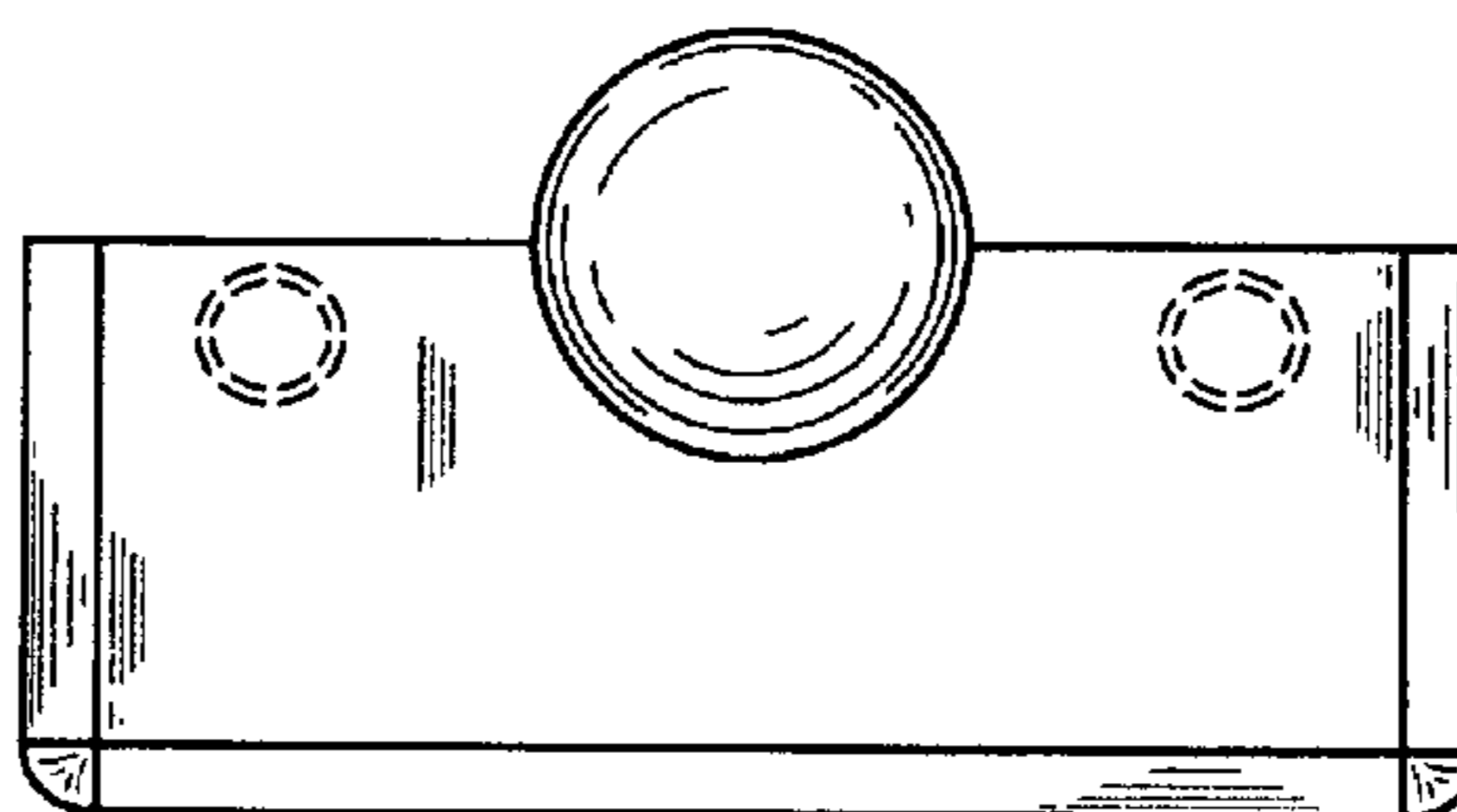


Fig. 1

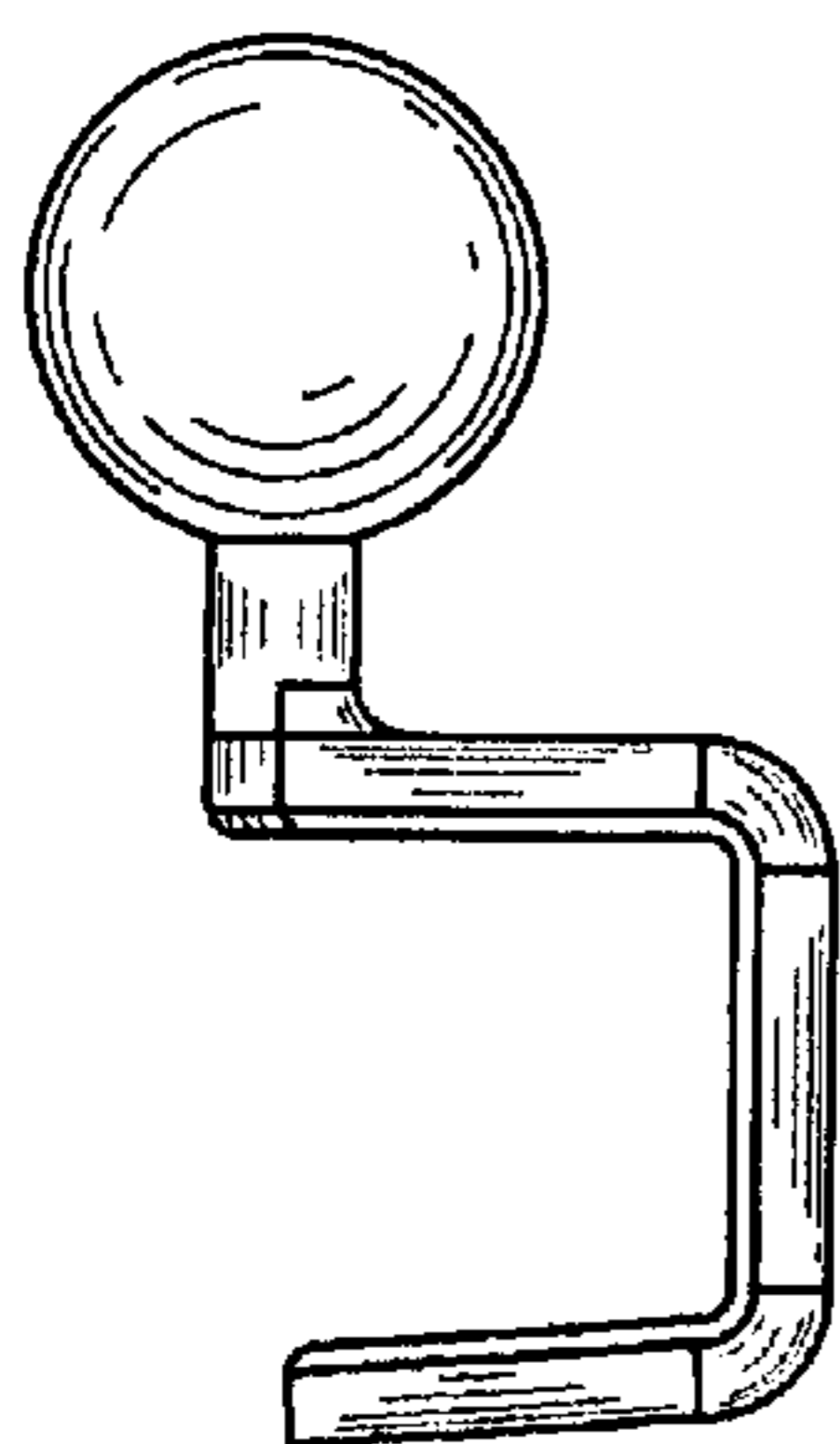


Fig. 3

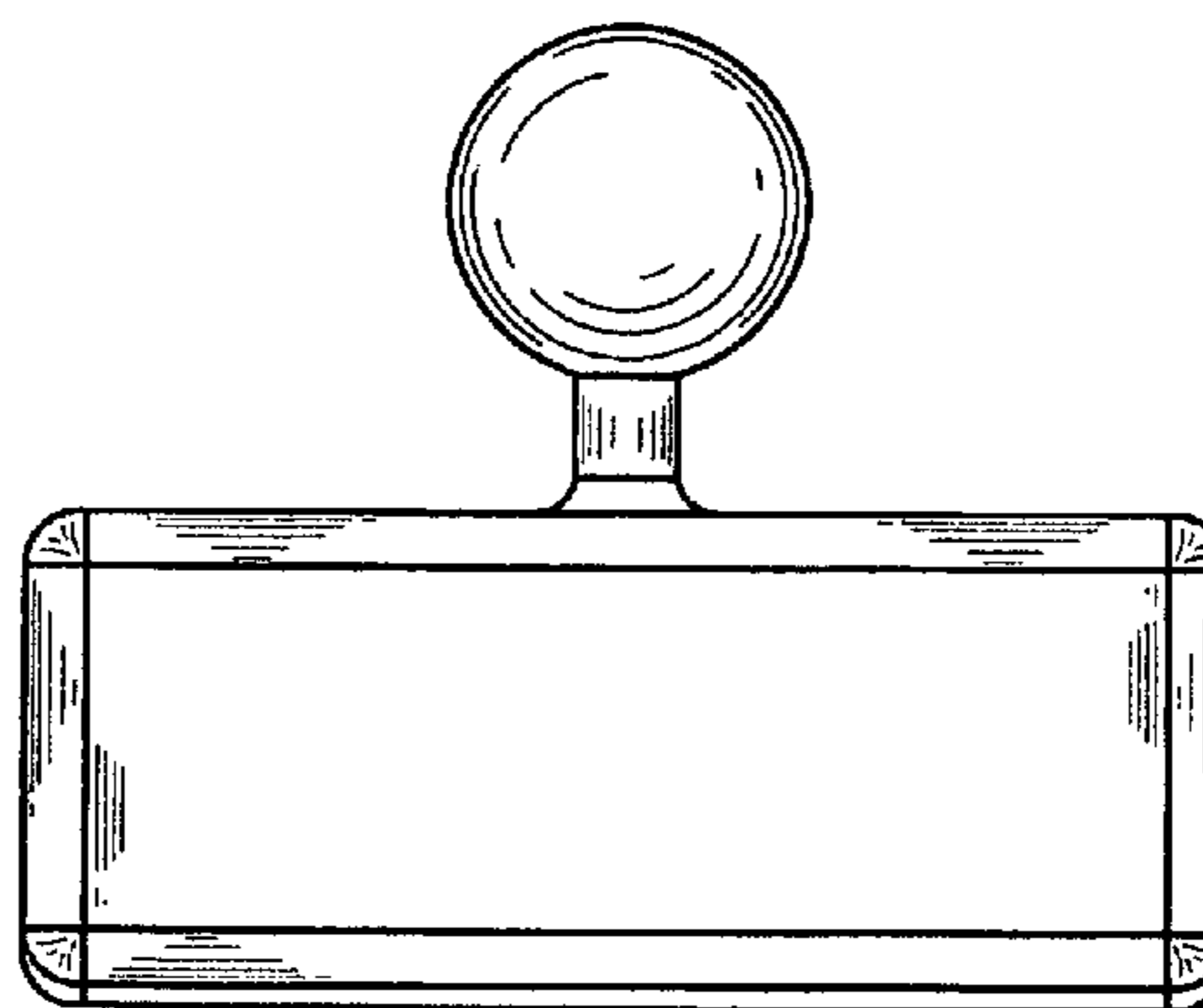


Fig. 2

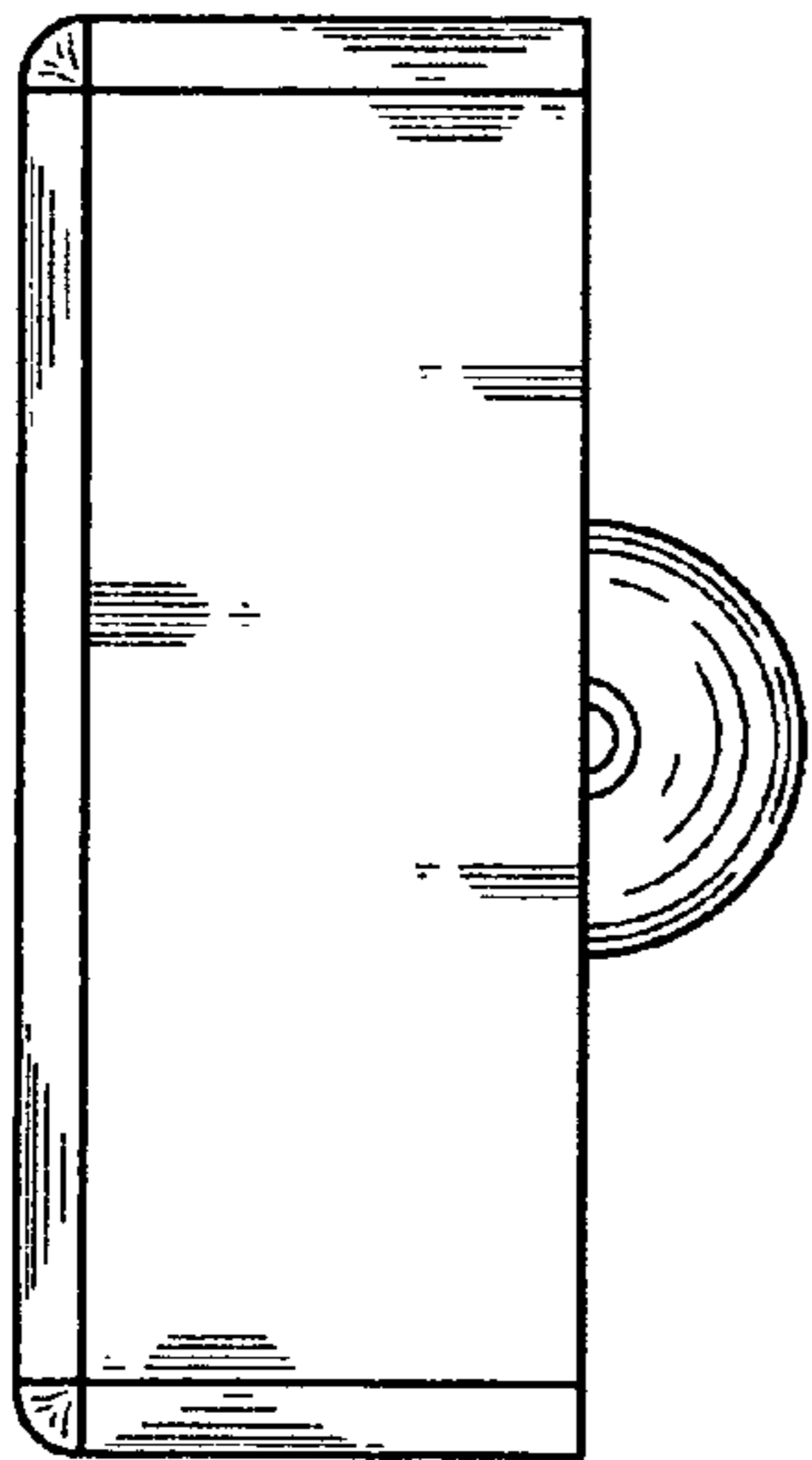


Fig. 4

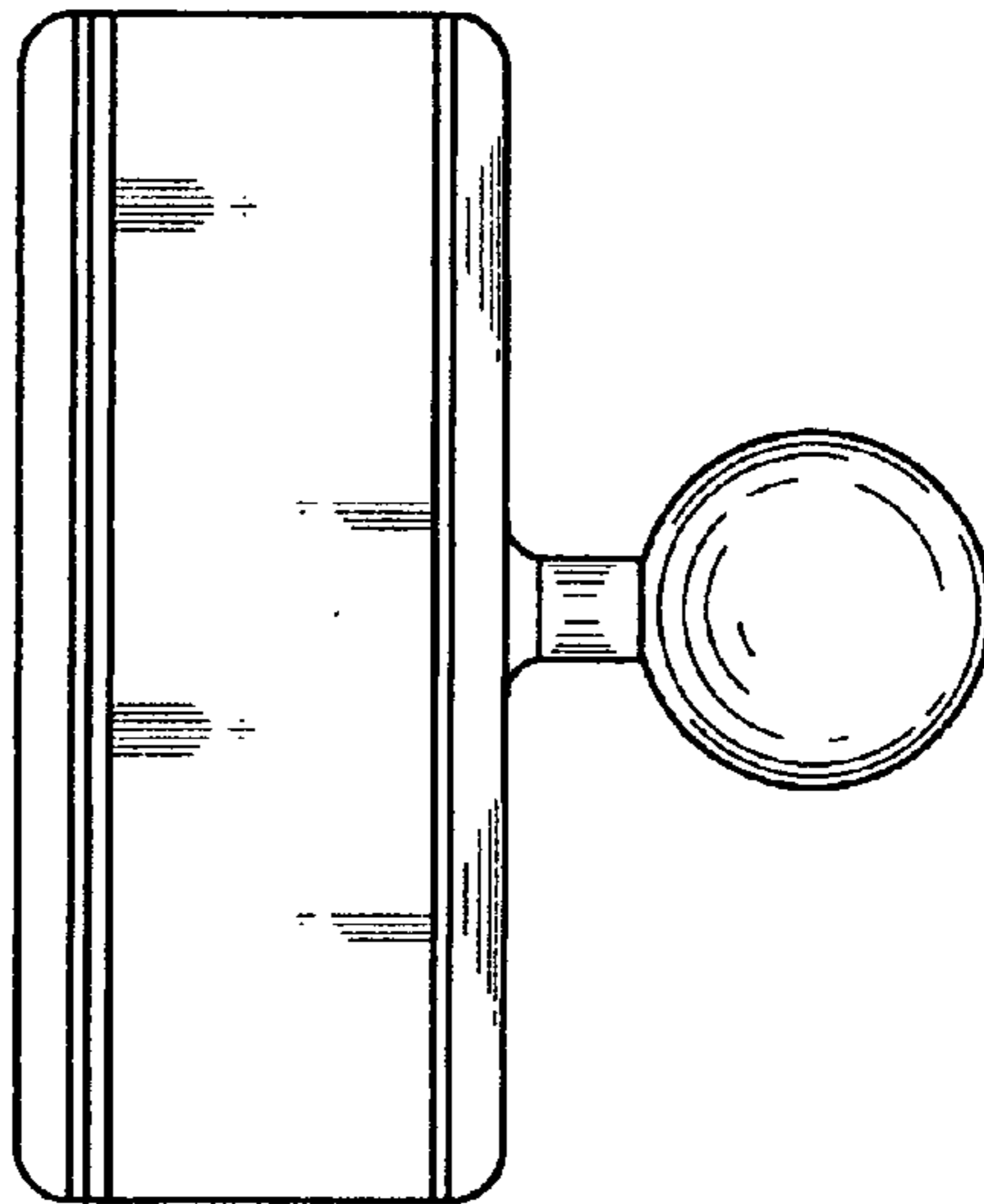


Fig. 5

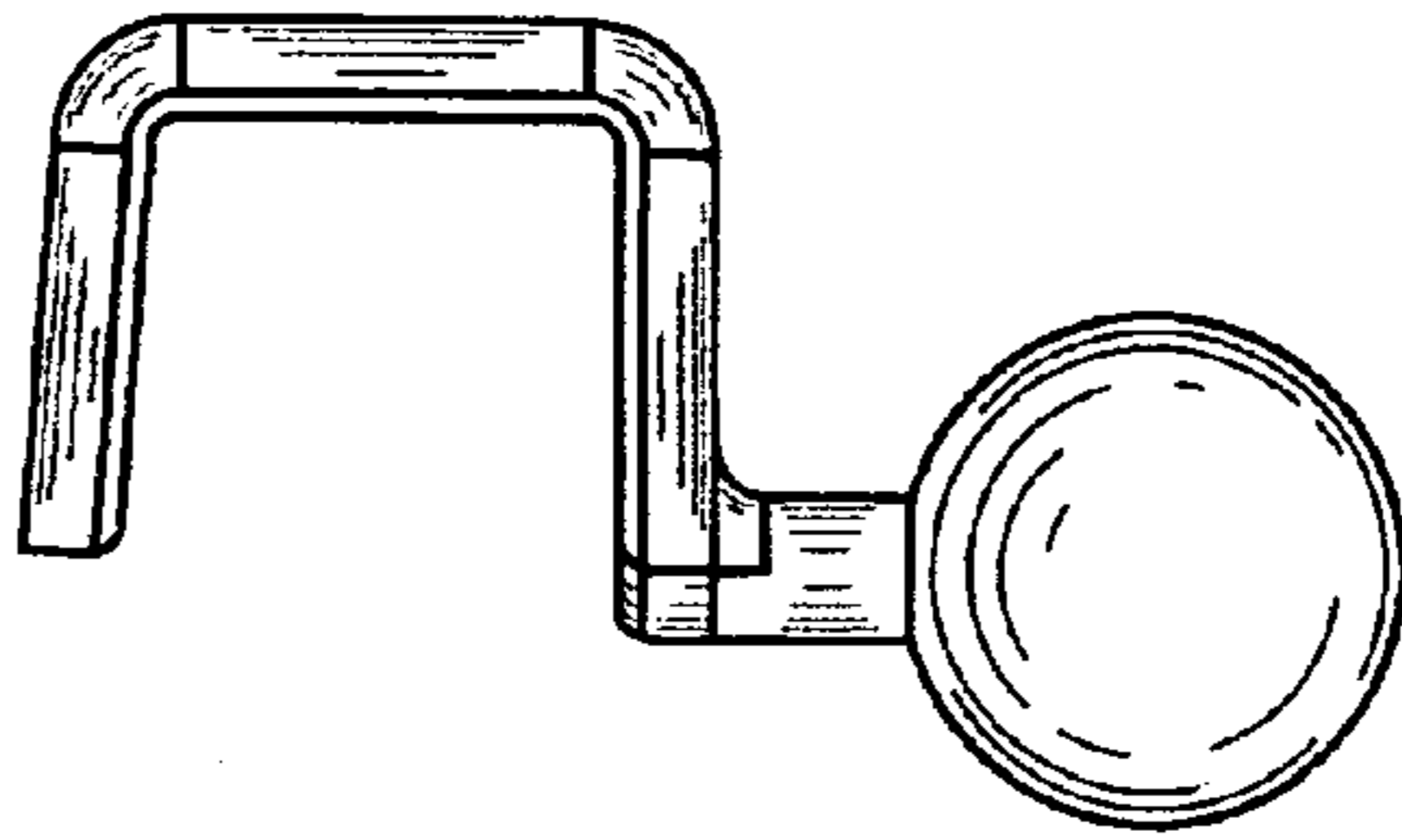


Fig. 6