



US00D563778S

(12) **United States Design Patent**
Weinacker, Jr.

(10) **Patent No.:** **US D563,778 S**

(45) **Date of Patent:** **** Mar. 11, 2008**

(54) **CIRCULAR CLIP**

(76) Inventor: **Charles W. Weinacker, Jr.**, 451 Pecan Ave., Fairhope, AL (US) 36532

(**) Term: **14 Years**

(21) Appl. No.: **29/275,458**

(22) Filed: **Dec. 27, 2006**

(51) **LOC (8) Cl.** **08-08**

(52) **U.S. Cl.** **D8/394; D9/434**

(58) **Field of Classification Search** D8/394-396;
248/74.1, 74.2, 99, 101; D9/499, 434; 215/274,
215/252; 294/166; 383/13, 24, 33, 34
See application file for complete search history.

(56) **References Cited**

U.S. PATENT DOCUMENTS

3,180,384	A *	4/1965	Seifert	383/12
4,759,518	A *	7/1988	Yardas	248/97
D301,548	S	6/1989	Weaver	D9/434
5,836,553	A *	11/1998	Bergaila	248/99
6,209,596	B1 *	4/2001	Wong	141/391
6,416,023	B1 *	7/2002	Satsky	248/99

6,705,575 B1 * 3/2004 Hoy 248/99

* cited by examiner

Primary Examiner—Stella M. Reid
Assistant Examiner—John Windmuller

(57) **CLAIM**

The ornamental design for a circular clip, as shown and described.

DESCRIPTION

FIG. 1 is a top plan view of a circular clip showing my new design;

FIG. 2 is a left side elevational view thereof;

FIG. 3 is a front elevational view thereof;

FIG. 4 is a bottom plan view thereof;

FIG. 5 is a right side elevational view thereof;

FIG. 6 is a rear elevational view thereof;

FIG. 7 is a right side elevational view thereof in an open position; and,

FIG. 8 is an enlarged cross-sectional view thereof, taken along line 8—8 of FIG. 1, in a closed position.

1 Claim, 2 Drawing Sheets

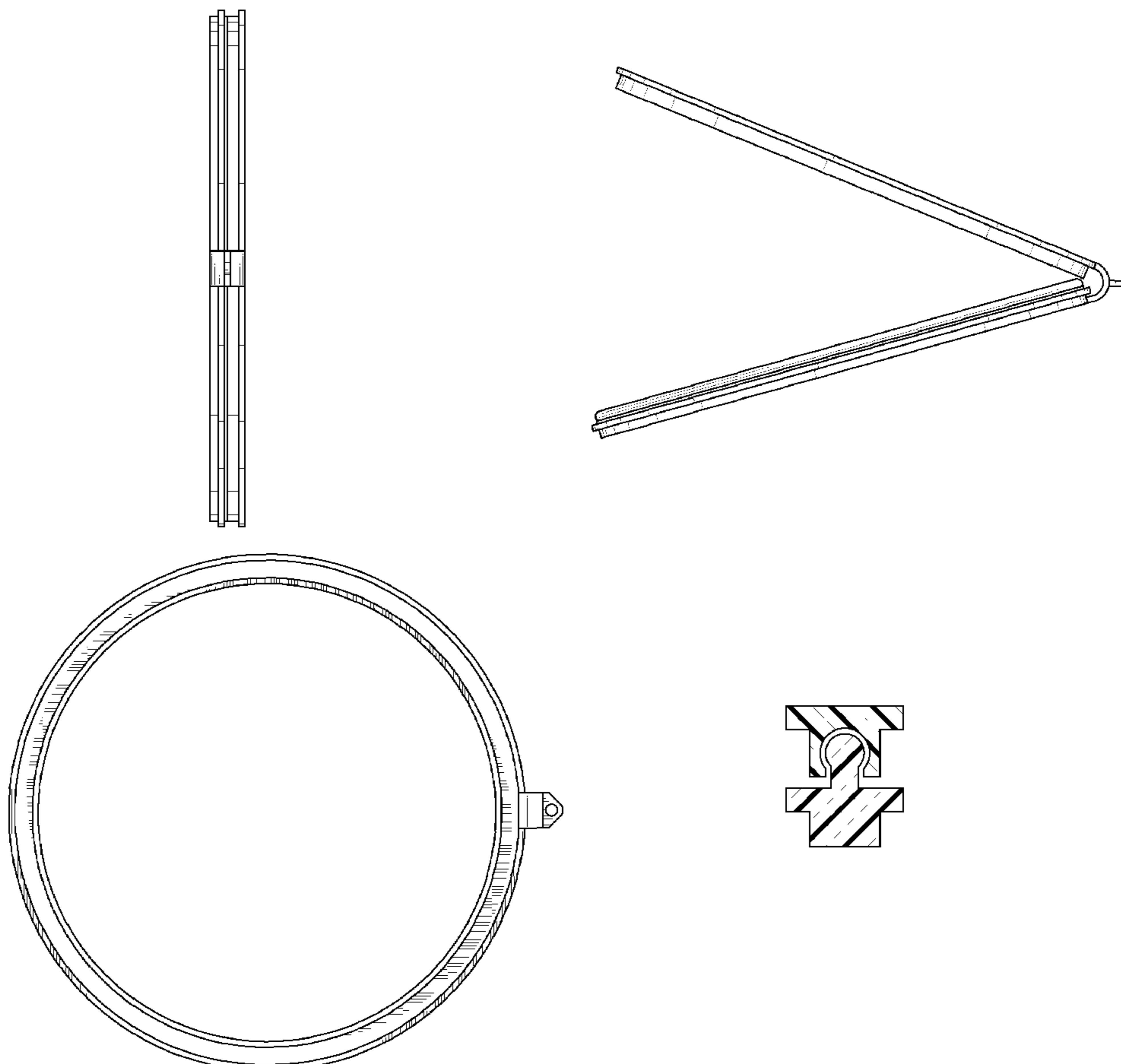


FIG. 2

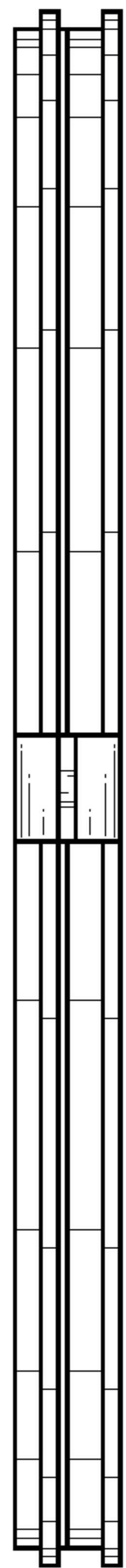
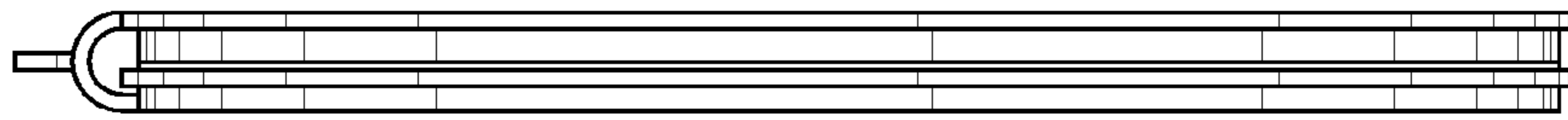


FIG. 3

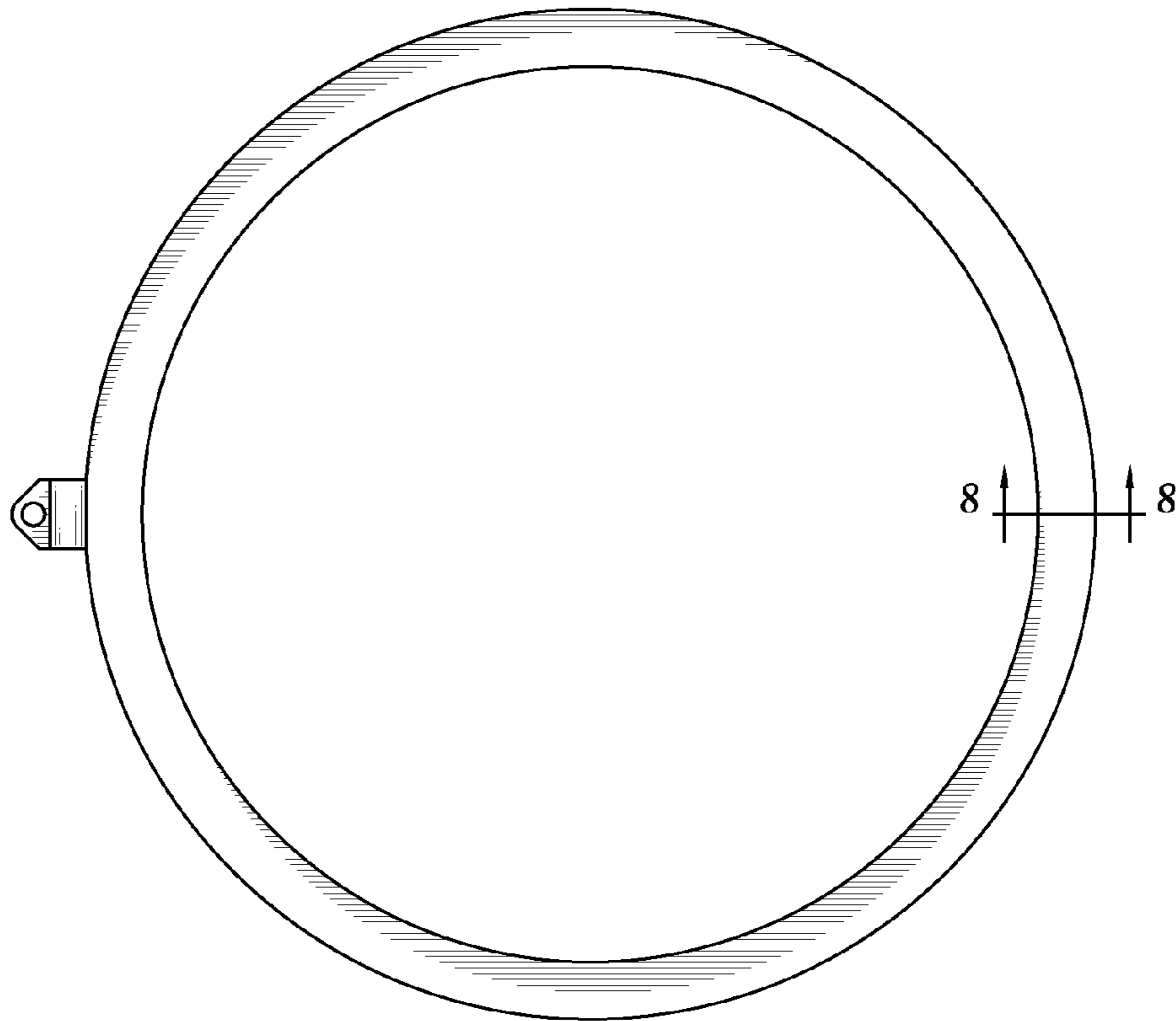


FIG. 1

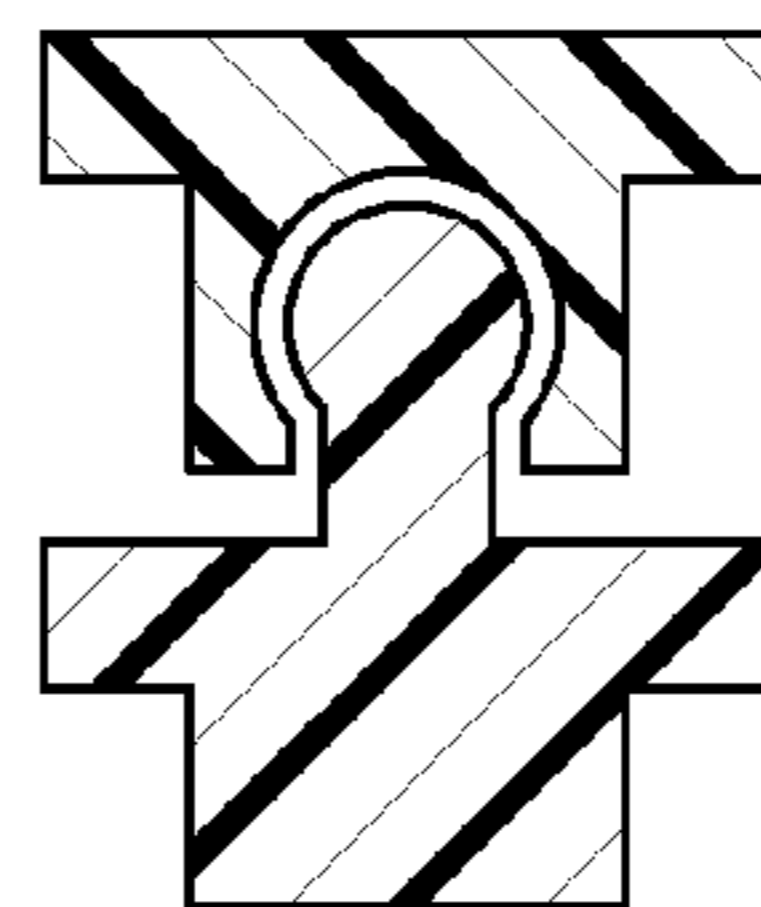


FIG. 8

FIG. 5

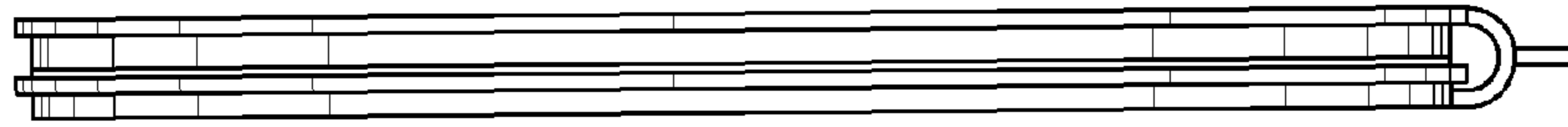


FIG. 6

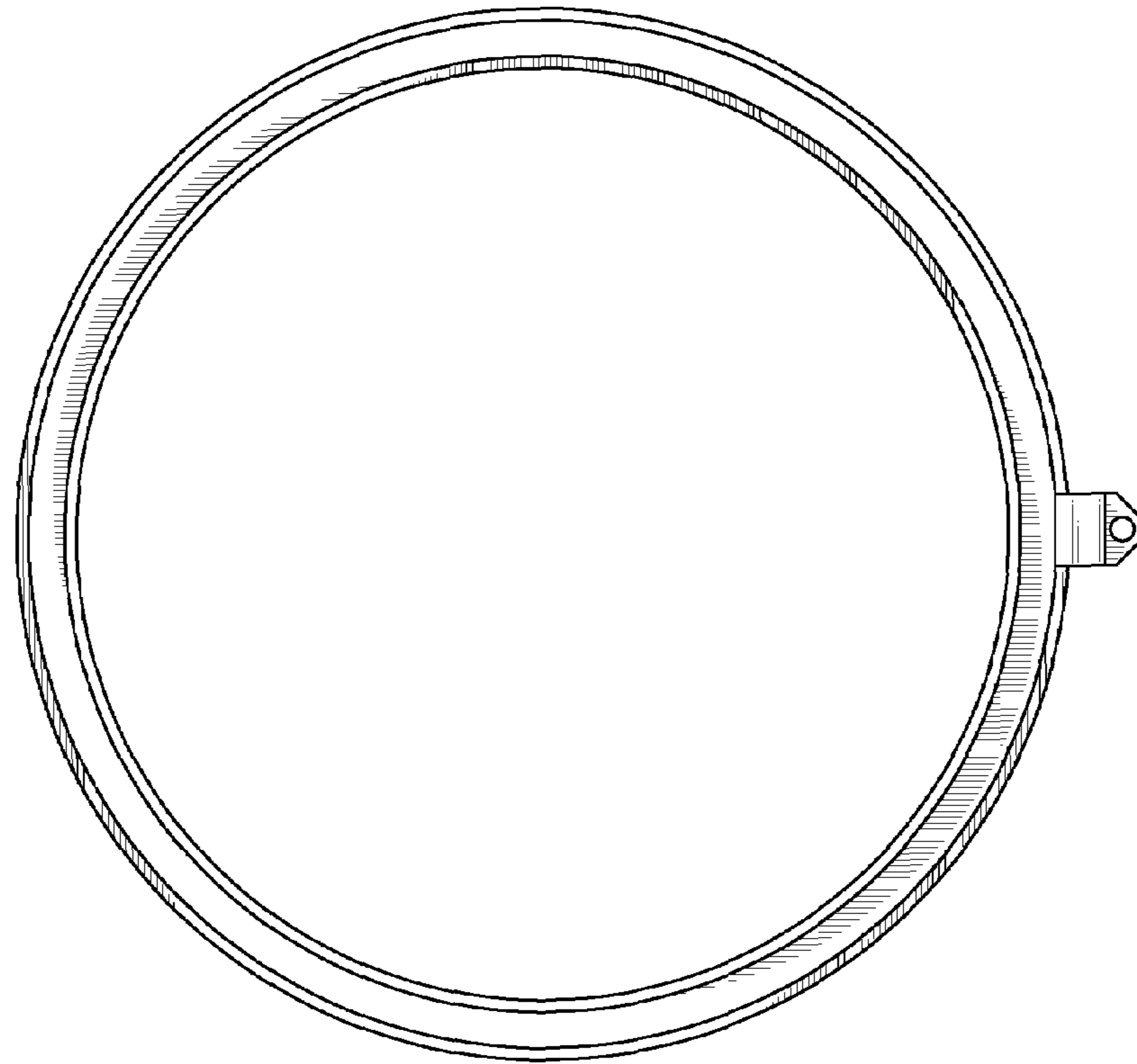


FIG. 4

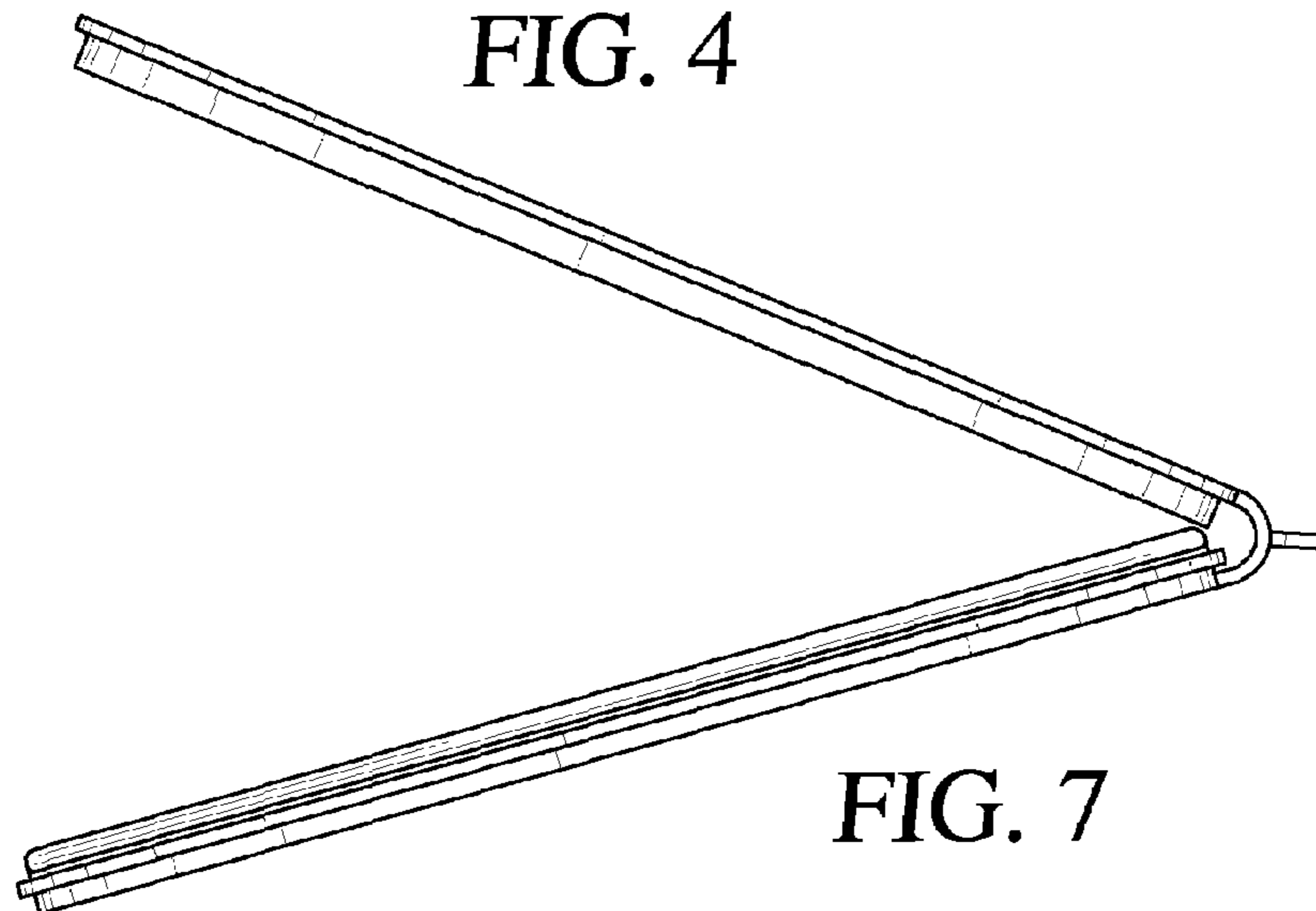


FIG. 7