

US00D563776S

(12) **United States Design Patent**
Dagg

(10) **Patent No.:** **US D563,776 S**
(45) **Date of Patent:** **** Mar. 11, 2008**

(54) **FRAME FITTING**

(75) Inventor: **Hayden Dagg**, Charlestown (AU)

(73) Assignee: **Onesteel Trading Pty Limited**,
Sydney, NSW (AU)

(**) Term: **14 Years**

(21) Appl. No.: **29/230,330**

(22) Filed: **May 19, 2005**

(51) **LOC (8) Cl.** **08-08**

(52) **U.S. Cl.** **D8/382**

(58) **Field of Classification Search** D8/354,
D8/349; 52/317; D25/38
See application file for complete search history.

(56) **References Cited**

U.S. PATENT DOCUMENTS

3,769,773 A * 11/1973 Mochizuki 52/656.4
4,007,570 A * 2/1977 Hunter 52/317
4,586,310 A * 5/1986 Baril et al. 52/665

4,993,866 A * 2/1991 Sugihara et al. 403/402
D422,715 S * 4/2000 Chaney et al. D25/38
D423,325 S * 4/2000 Liss D8/349
D457,052 S * 5/2002 Snyder D8/349
D498,951 S * 11/2004 Yamaguchi D6/499

* cited by examiner

Primary Examiner—Holly H. Baynham

(74) *Attorney, Agent, or Firm*—Ladas & Parry LLP

(57) **CLAIM**

I claim the ornamental design for a frame fitting, as shown and described.

DESCRIPTION

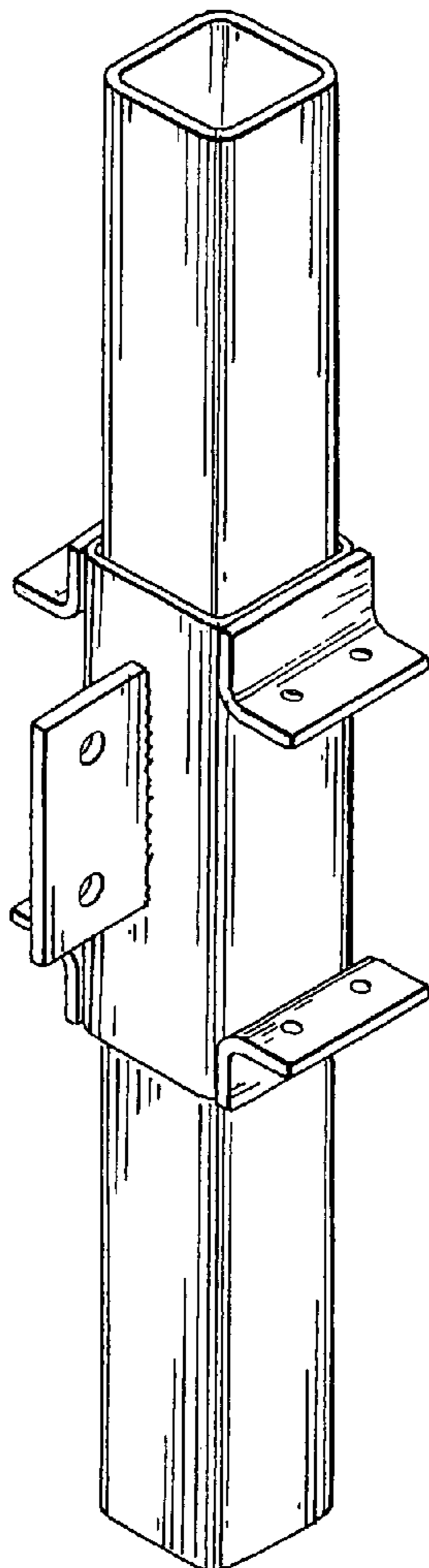
FIG. 1 is a perspective view of a frame fitting showing my new design;

FIG. 2 is a front view of FIG. 1;

FIG. 3 is a left side view of FIG. 1; and,

FIG. 4 is a top view of FIG. 1.

1 Claim, 1 Drawing Sheet



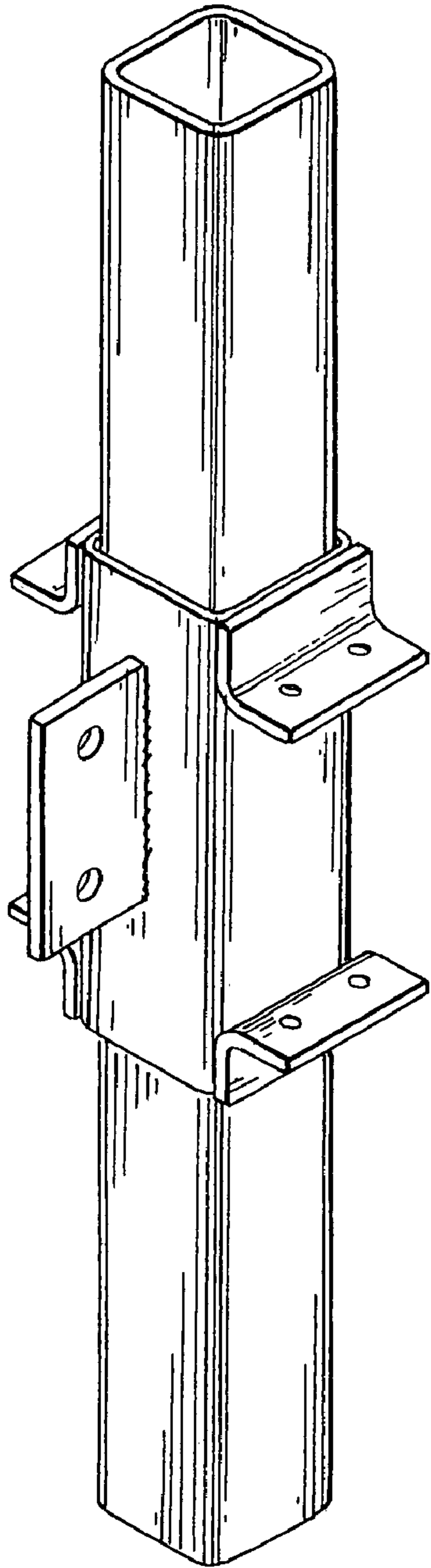


FIG. 1.

FIG. 4.

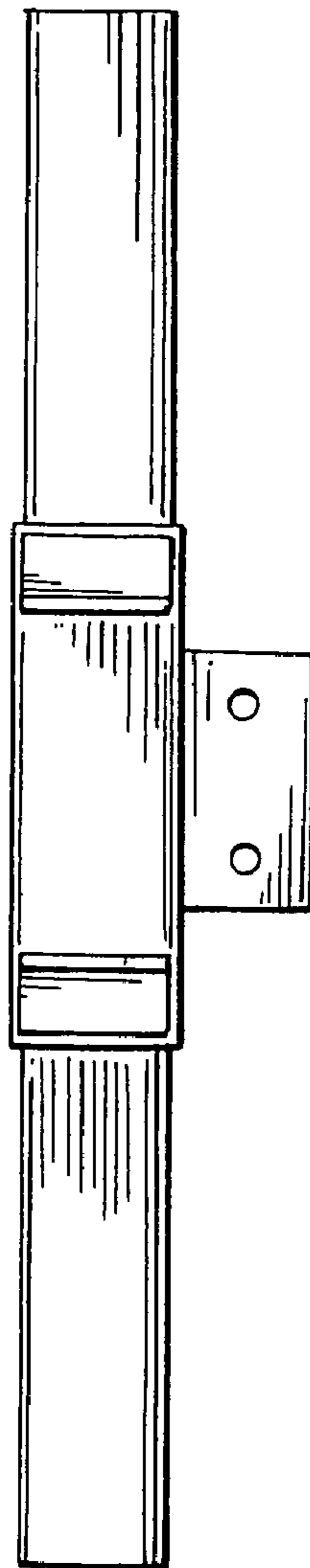
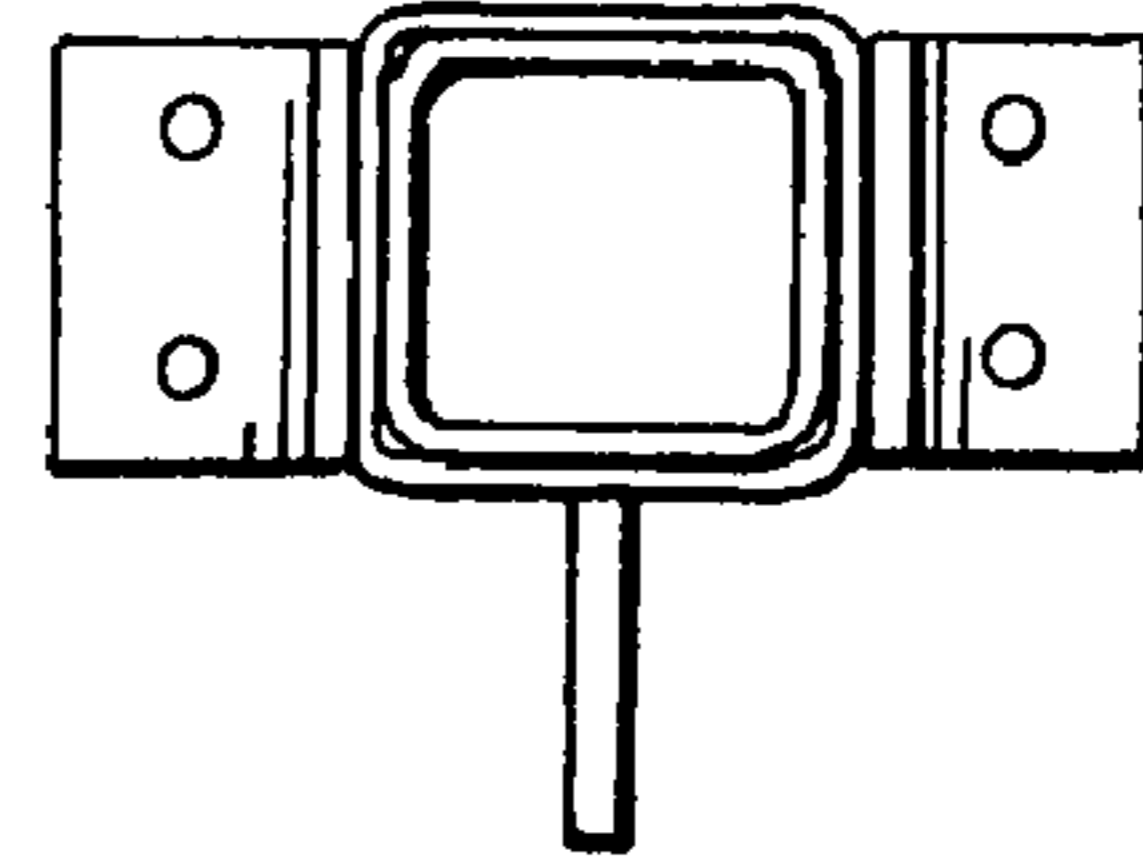


FIG. 3.

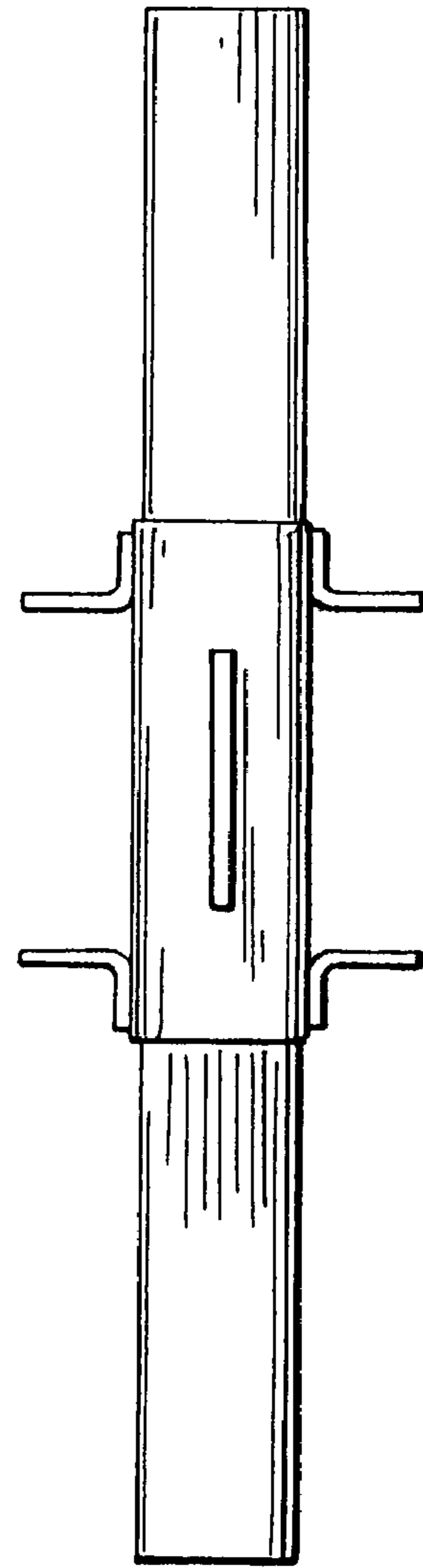


FIG. 2.