

US00D563774S

(12) **United States Design Patent**  
**Wohlford et al.**

(10) **Patent No.:** **US D563,774 S**  
(45) **Date of Patent:** **\*\* Mar. 11, 2008**

(54) **MOUNT FOR ARTICLE**

(75) Inventors: **Jim Wohlford**, Edina, MN (US);  
**Dominic Grey**, Blaine, MN (US)

(73) Assignee: **CSAV, Inc.**, Savage, MN (US)

(\*\*) Term: **14 Years**

(21) Appl. No.: **29/265,243**

(22) Filed: **Aug. 28, 2006**

(51) **LOC (8) Cl.** ..... **08-05**

(52) **U.S. Cl.** ..... **D8/363; D14/452**

(58) **Field of Classification Search** ..... D8/363;  
D14/451-452; 248/274.1, 278.1, 284.1  
See application file for complete search history.

(56) **References Cited**

**U.S. PATENT DOCUMENTS**

6,138,970	A *	10/2000	Sohrt et al.	.....	248/278.1
D435,852	S *	1/2001	Oddsens, Jr.	.....	D14/452
6,446,923	B1 *	9/2002	Olkkola	.....	248/278.1
6,554,238	B1 *	4/2003	Hibberd	.....	248/278.1
6,695,270	B1 *	2/2004	Smed	.....	248/274.1
D488,708	S *	4/2004	Lam et al.	.....	D8/363
D489,599	S *	5/2004	Lam	.....	D8/363
D491,574	S *	6/2004	Hung	.....	D14/452
D494,183	S *	8/2004	Wills et al.	.....	D14/452
6,874,743	B2	4/2005	Watanabe et al.		
7,028,961	B1	4/2006	Dittmer et al.		

**OTHER PUBLICATIONS**

CHIEF, *Centris™ Mounting System Ordering & Cross-Reference Information, Chief Full-Line Product Guide 2004*, Jan. 2004, pp. 51-53.

CHIEF, *iC Mounting Solutions, iC*, 2005, pp. 8.

Premier Mounts, *Premier Mounts*, Jan. 2005, pp. 16.

Sanus Systems, *VisionMount™*, 2005, pp. 20.

\* cited by examiner

*Primary Examiner*—Holly H. Baynham

(74) *Attorney, Agent, or Firm*—Patterson, Thuente, Skaar & Christensen, PA

(57) **CLAIM**

We claim the ornamental design for mount for article, as shown.

**DESCRIPTION**

FIG. 1 is a front elevation view of a mount for article according to an embodiment of the invention;

FIG. 2 is a top plan view of the mount for article depicted in FIG. 1;

FIG. 3 is a rear elevation view of the mount for article depicted in FIG. 1;

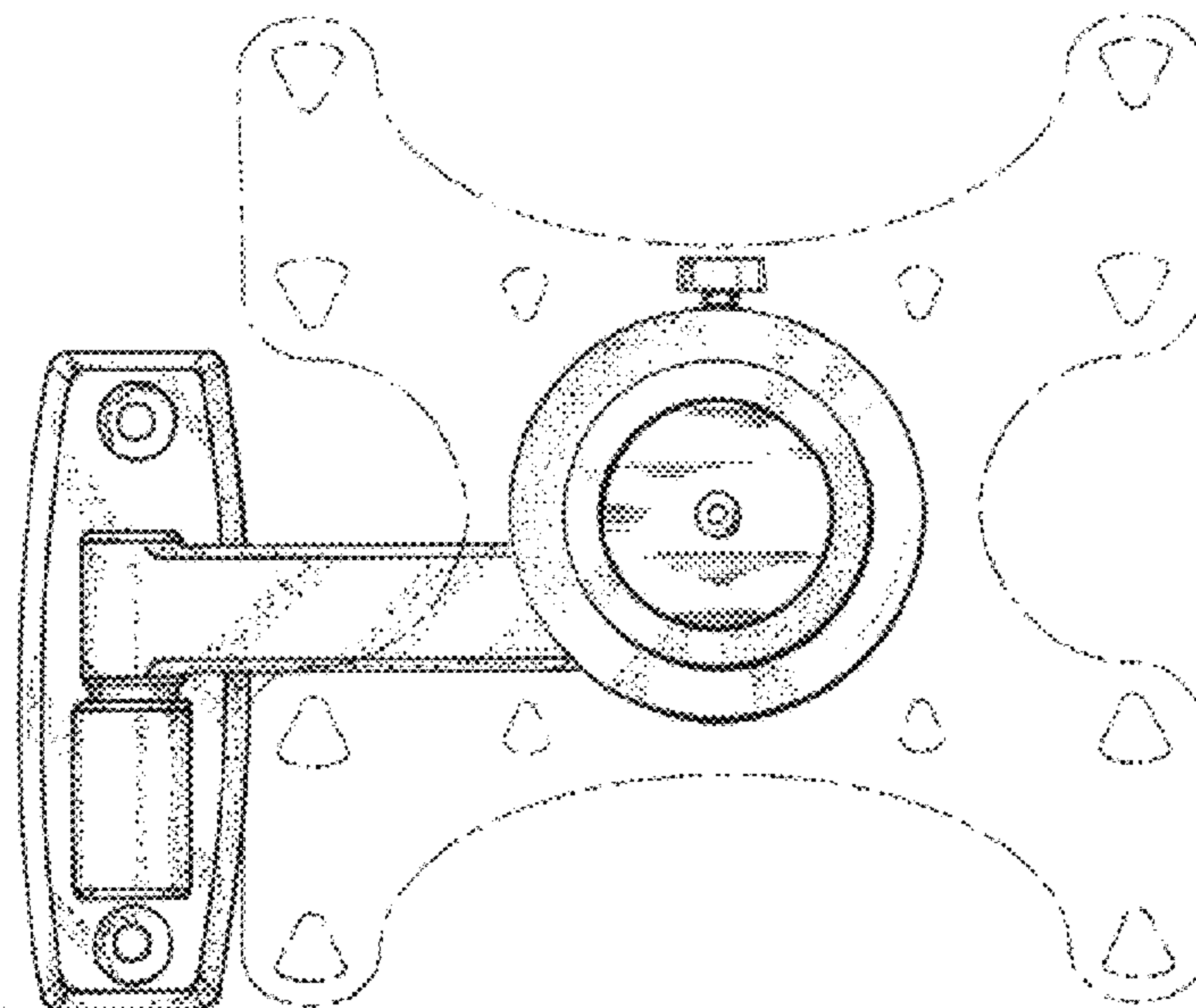
FIG. 4 is a bottom plan view of the mount for article depicted in FIG. 1;

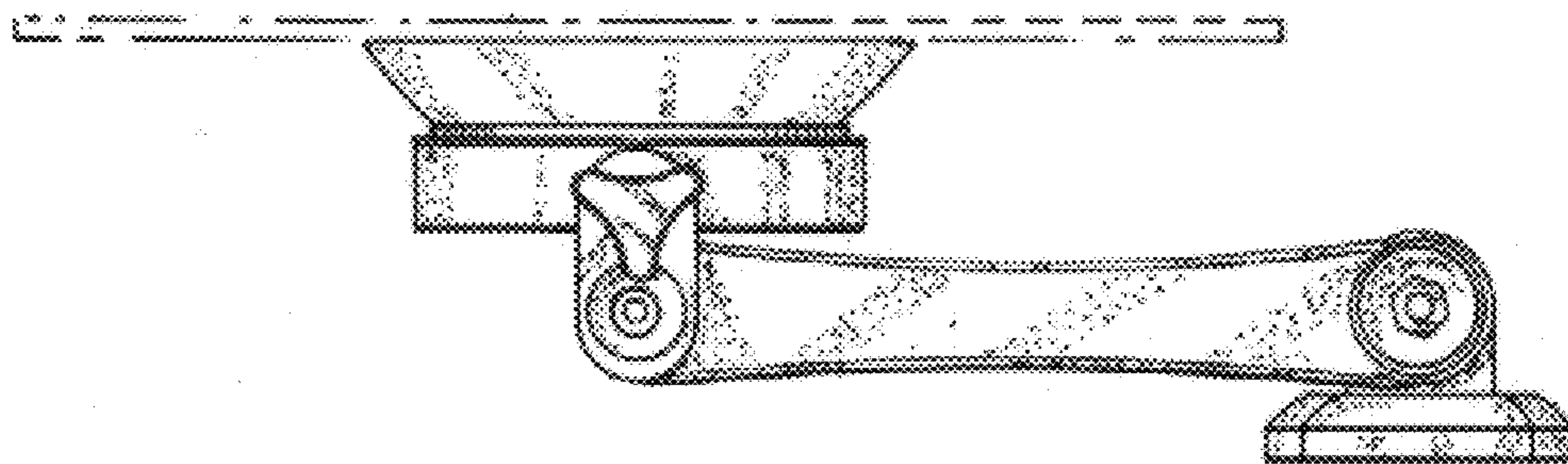
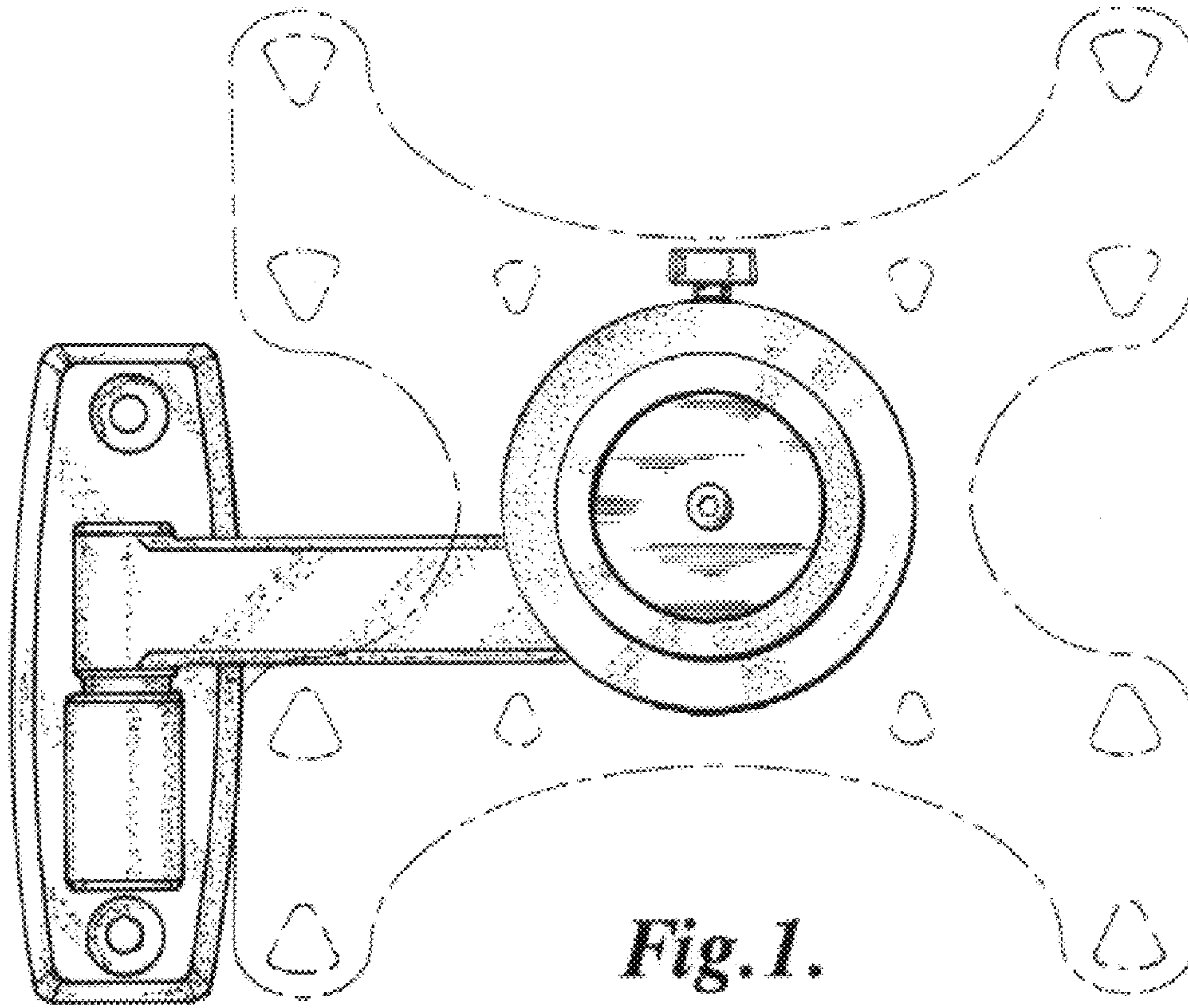
FIG. 5 is a side elevation view of the mount for article depicted in FIG. 1; and,

FIG. 6 is an elevation view of the mount for article of the side opposite that depicted in FIG. 5.

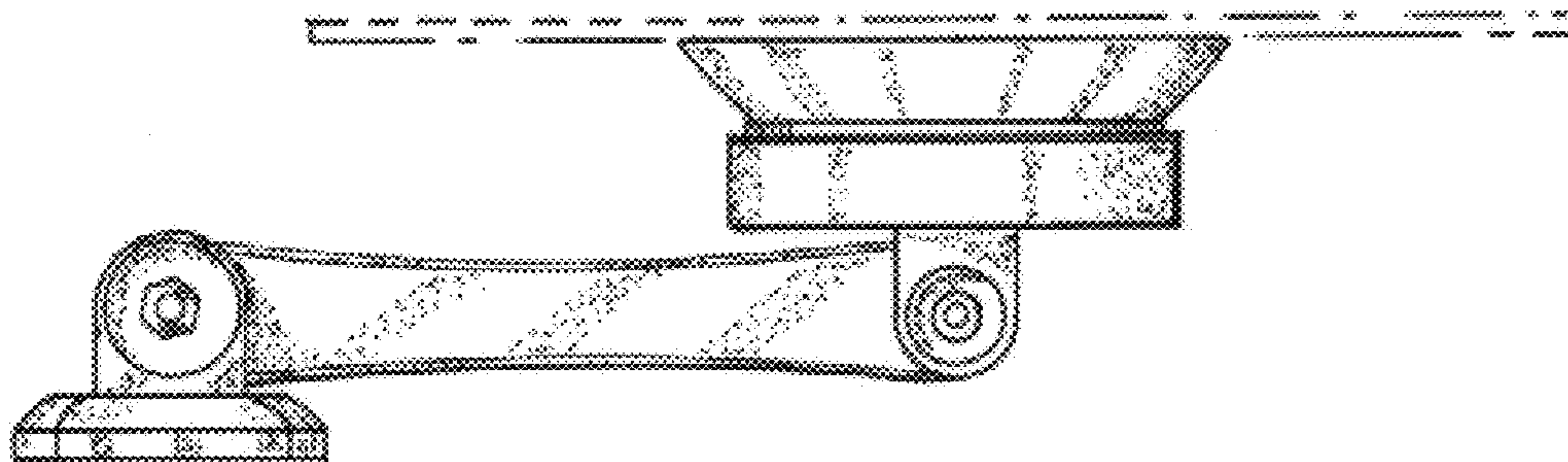
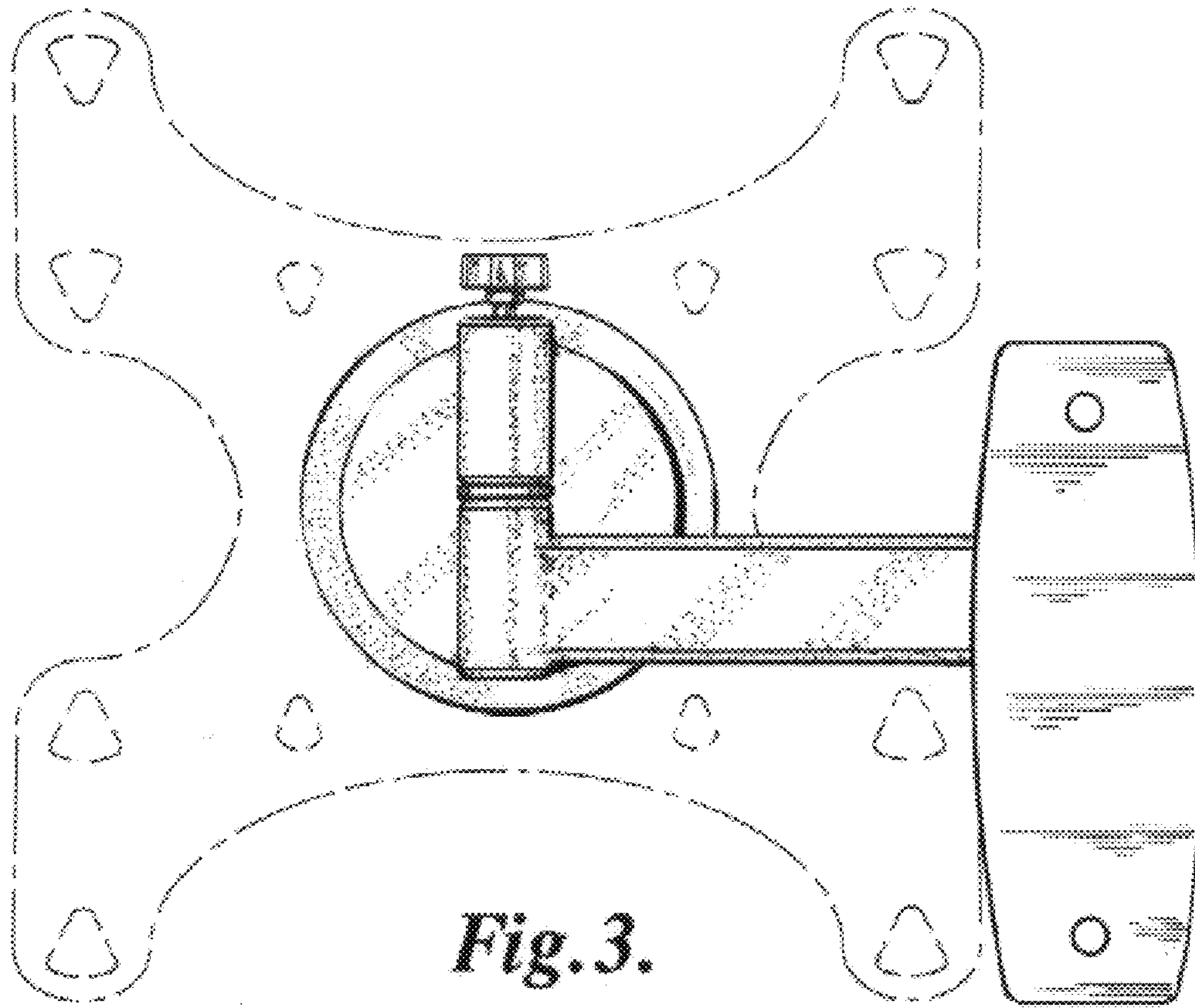
The broken-line disclosure in the views is for illustrative purposes only and forms no part of the claimed design.

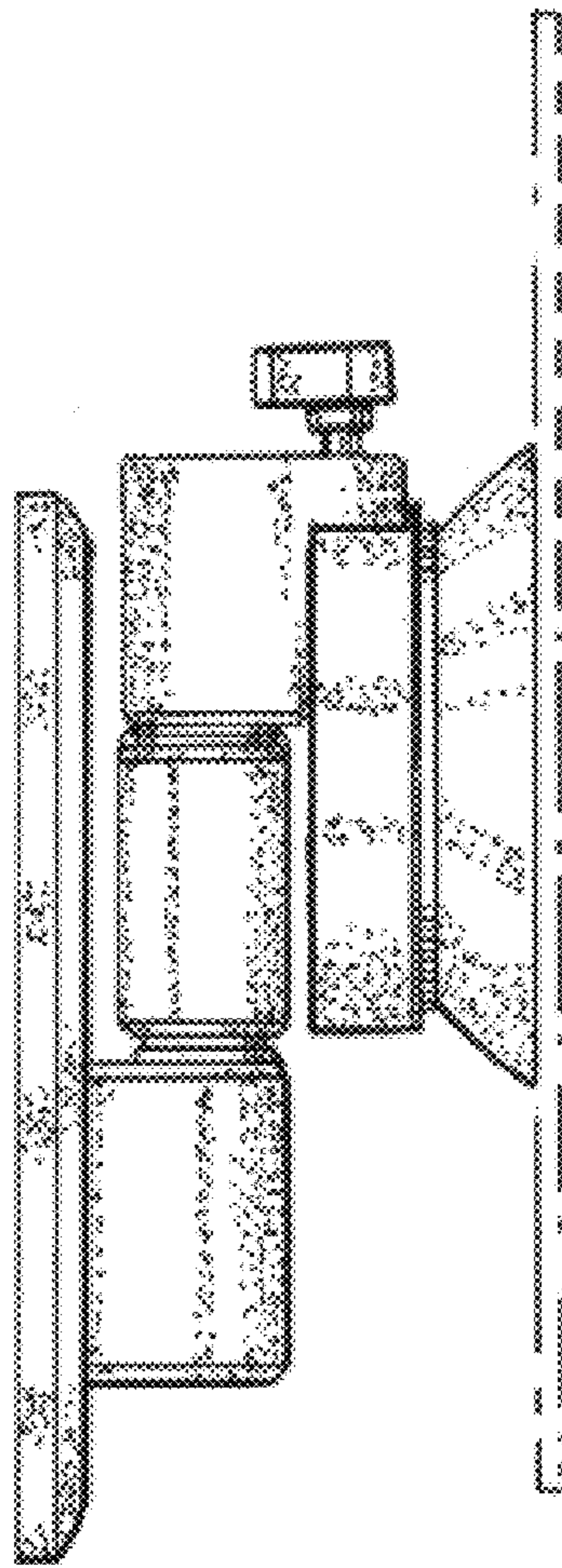
**1 Claim, 3 Drawing Sheets**



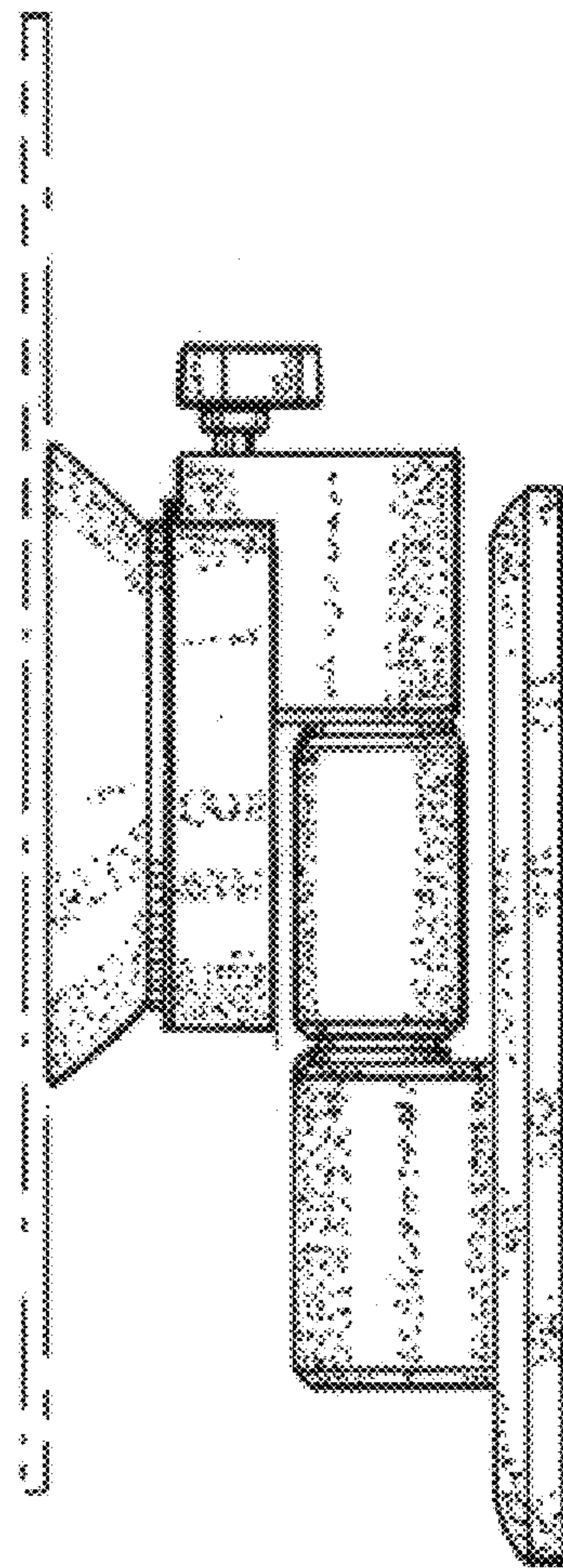








*Fig. 5.*



*Fig. 6.*

UNITED STATES PATENT AND TRADEMARK OFFICE  
**CERTIFICATE OF CORRECTION**

PATENT NO. : D563,774 S  
APPLICATION NO. : 29/265243  
DATED : March 11, 2008  
INVENTOR(S) : Wohlford et al.

Page 1 of 1

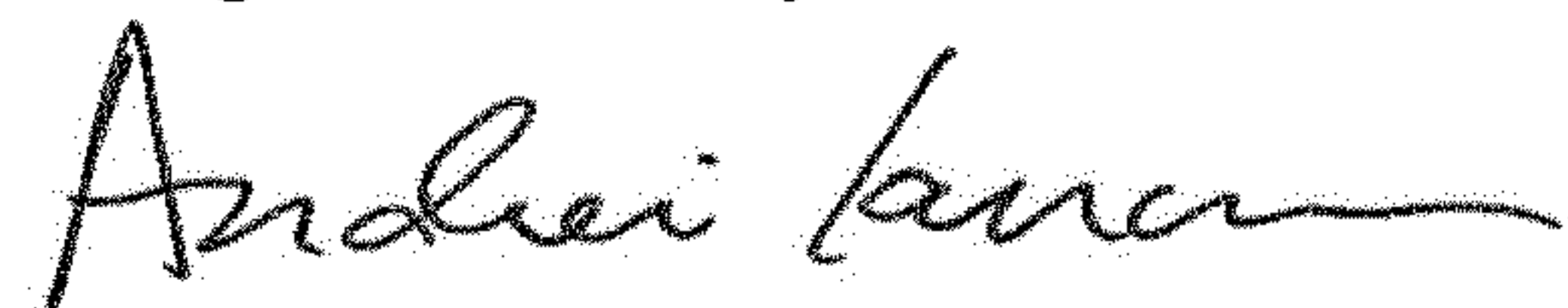
It is certified that error appears in the above-identified patent and that said Letters Patent is hereby corrected as shown below:

On the Title Page

Item (75) Inventor is corrected to read:

-- Jim Wohlford, Edina, (MN);  
Dominic Grey, Blaine, (MN);  
Nick Stanek, Roseville, (MN) --.

Signed and Sealed this  
Eighteenth Day of June, 2019



Andrei Iancu  
*Director of the United States Patent and Trademark Office*