



US00D563773S

(12) **United States Design Patent**  
**Pitcher et al.**

(10) **Patent No.:** **US D563,773 S**  
(45) **Date of Patent:** **\*\* Mar. 11, 2008**

(54) **ADJUSTABLE ZIP LINE POD**

(74) *Attorney, Agent, or Firm*—Don Halgren

(75) Inventors: **David E. Pitcher**, Cambridge, MA (US); **Thomas P. Burrous**, Haverhill, MA (US); **Rebecca C. Stover**, Lynn, MA (US); **Sidney Rose**, Marblehead, MA (US); **Alan L. Stenfors**, Scituate, MA (US)

(57) **CLAIM**

The ornamental design for an adjustable zip line pod, as shown.

(73) Assignee: **Rose Displays, Ltd.**, Salem, MA (US)

**DESCRIPTION**

(\*\*) Term: **14 Years**

FIG. 1 is a perspective view of the adjustable zip line pod of the present invention, looking angularly towards a front edge thereof;

(21) Appl. No.: **29/269,949**

FIG. 2 is a perspective view of the adjustable zip line pod of the present invention looking angularly towards a rearward edge thereof;

(22) Filed: **Dec. 12, 2006**

(51) **LOC (8) Cl.** ..... **08-05**

FIG. 3 is a front elevational view of the adjustable zip line pod of the present invention;

(52) **U.S. Cl.** ..... **D8/358**

FIG. 4 is a rear elevational view of the adjustable zip line pod of the present invention;

(58) **Field of Classification Search** ..... D8/359, D8/358; D13/154; D10/72; 242/586, 403, 242/396.7, 396.6, 396.3, 395, 380.8; 239/195; 182/36; 105/150; 104/113

FIG. 5 is a left side elevational view of the adjustable zip line pod of the present invention;

See application file for complete search history.

FIG. 6 is a right side elevational view of the adjustable zip line pod of the present invention;

(56) **References Cited**

**U.S. PATENT DOCUMENTS**

FIG. 7 is a top plan view of the adjustable zip line pod of the present invention; and,

4,062,293	A *	12/1977	Davis	104/113
4,942,617	A *	7/1990	Boylan	D13/154
5,931,100	A *	8/1999	Sutton et al.	105/150
D506,124	S *	6/2005	Strickland et al.	D8/358
D539,122	S *	3/2007	Tsai	D8/358
D550,067	S *	9/2007	Hsiao et al.	D8/356

FIG. 8 is a bottom plan view of the adjustable zip line pod of the present invention.

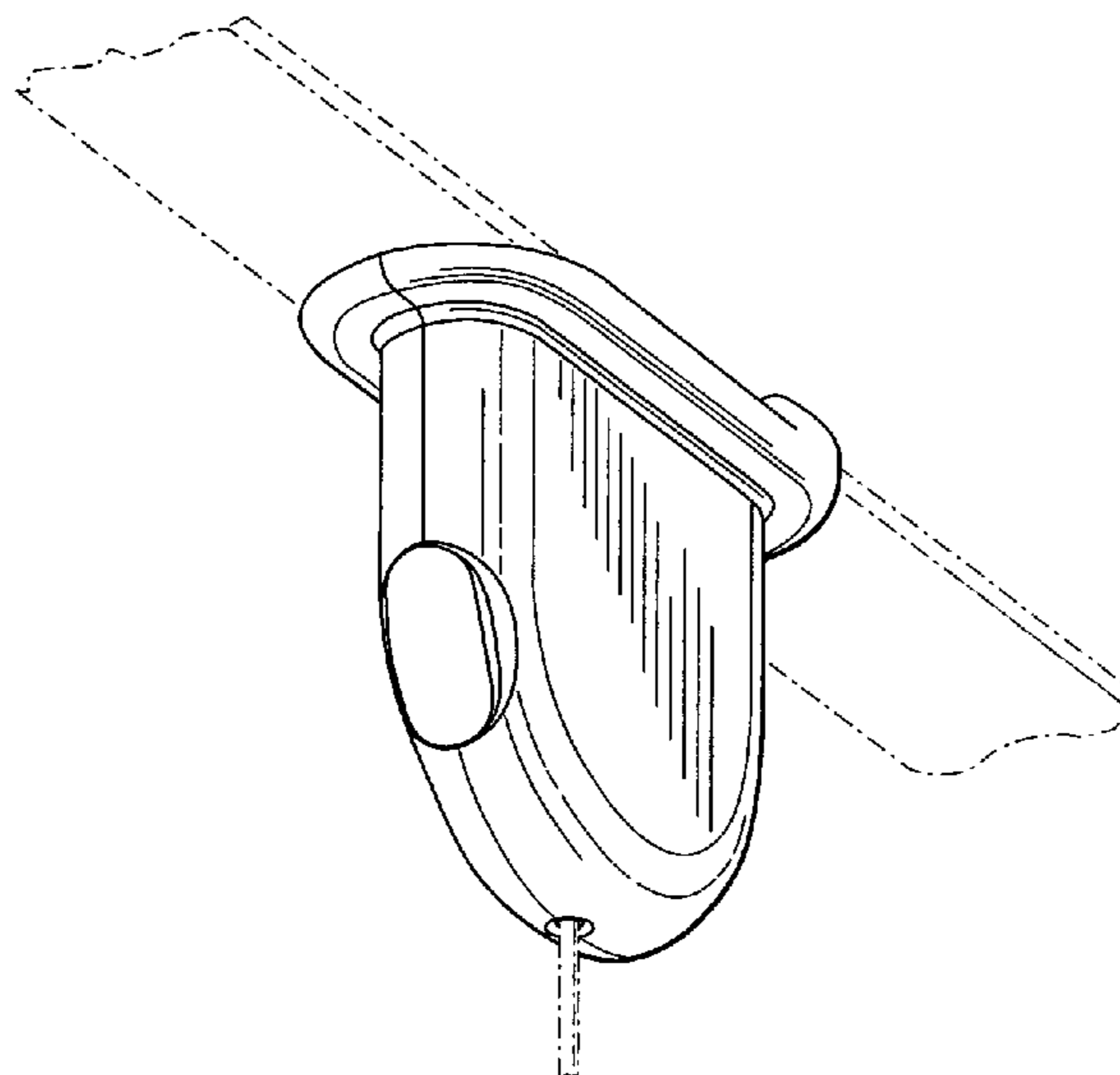
The dotted lines in the drawing show contour.

\* cited by examiner

The broken lines in the drawing consisting of two short dashes and a long dash depict environmental subject matter only and form no part of the claimed design.

*Primary Examiner*—Gary D. Watson  
*Assistant Examiner*—Susan Bennett Hattan

**1 Claim, 3 Drawing Sheets**



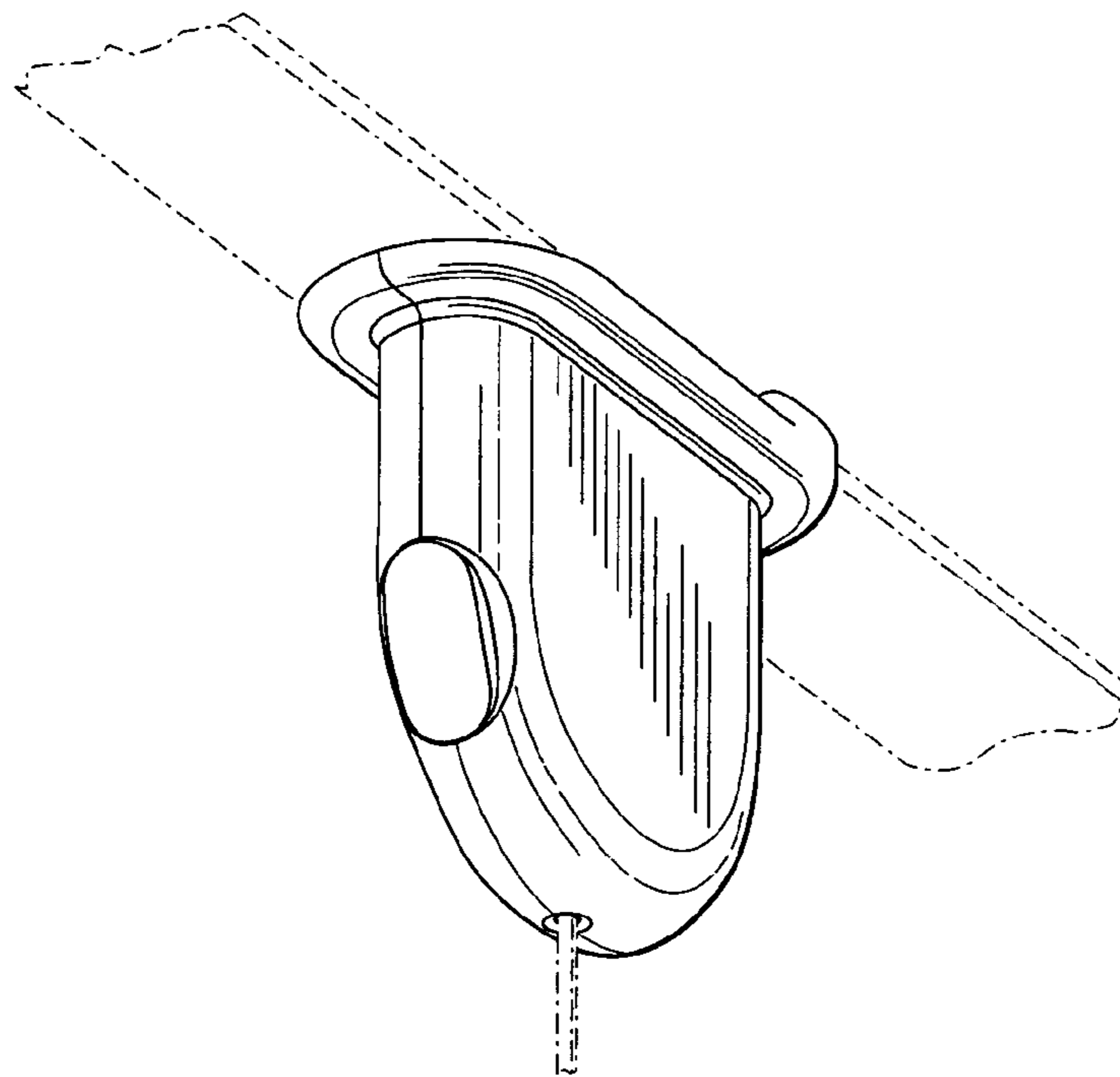


Fig. 1

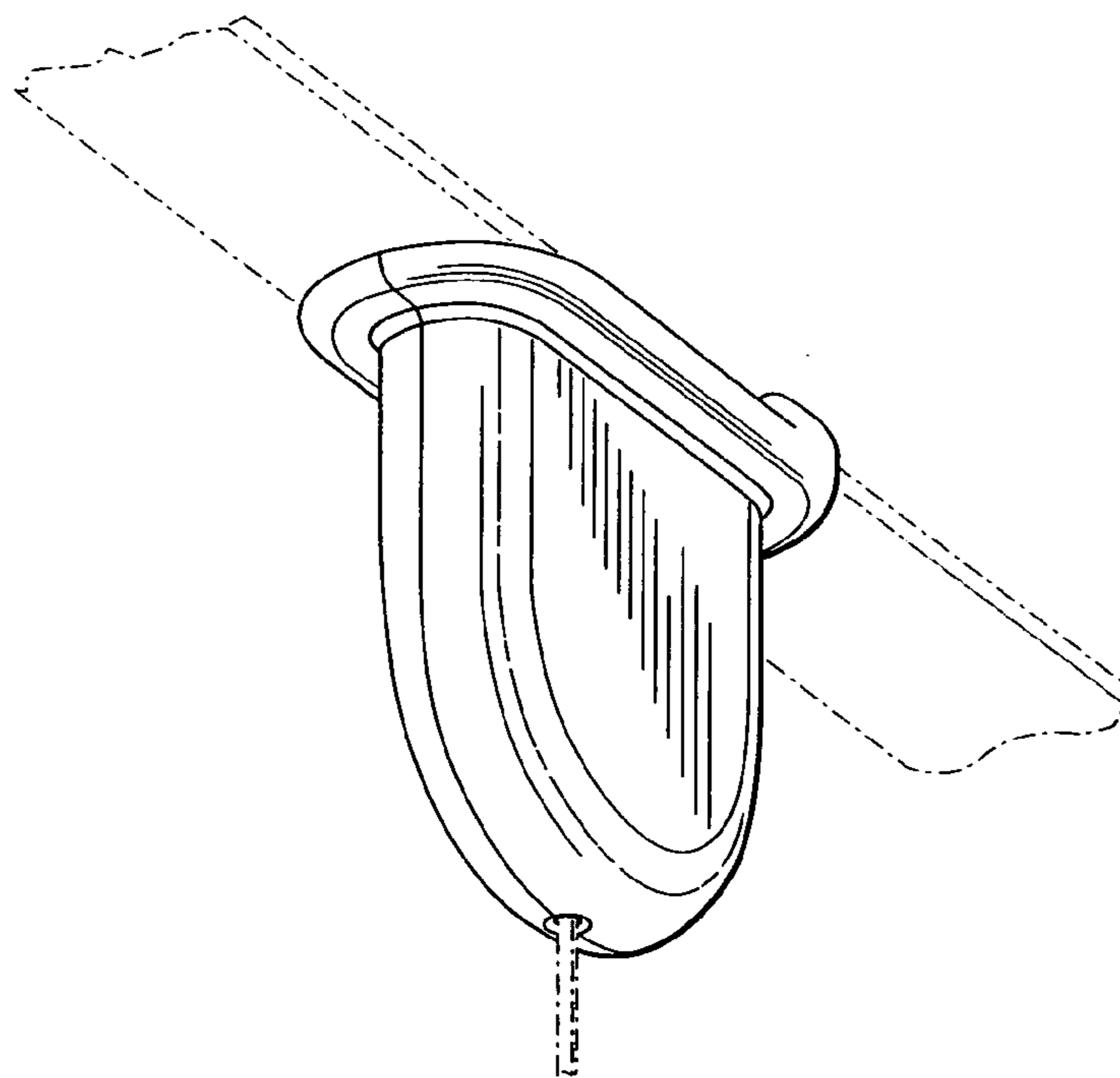


Fig. 2

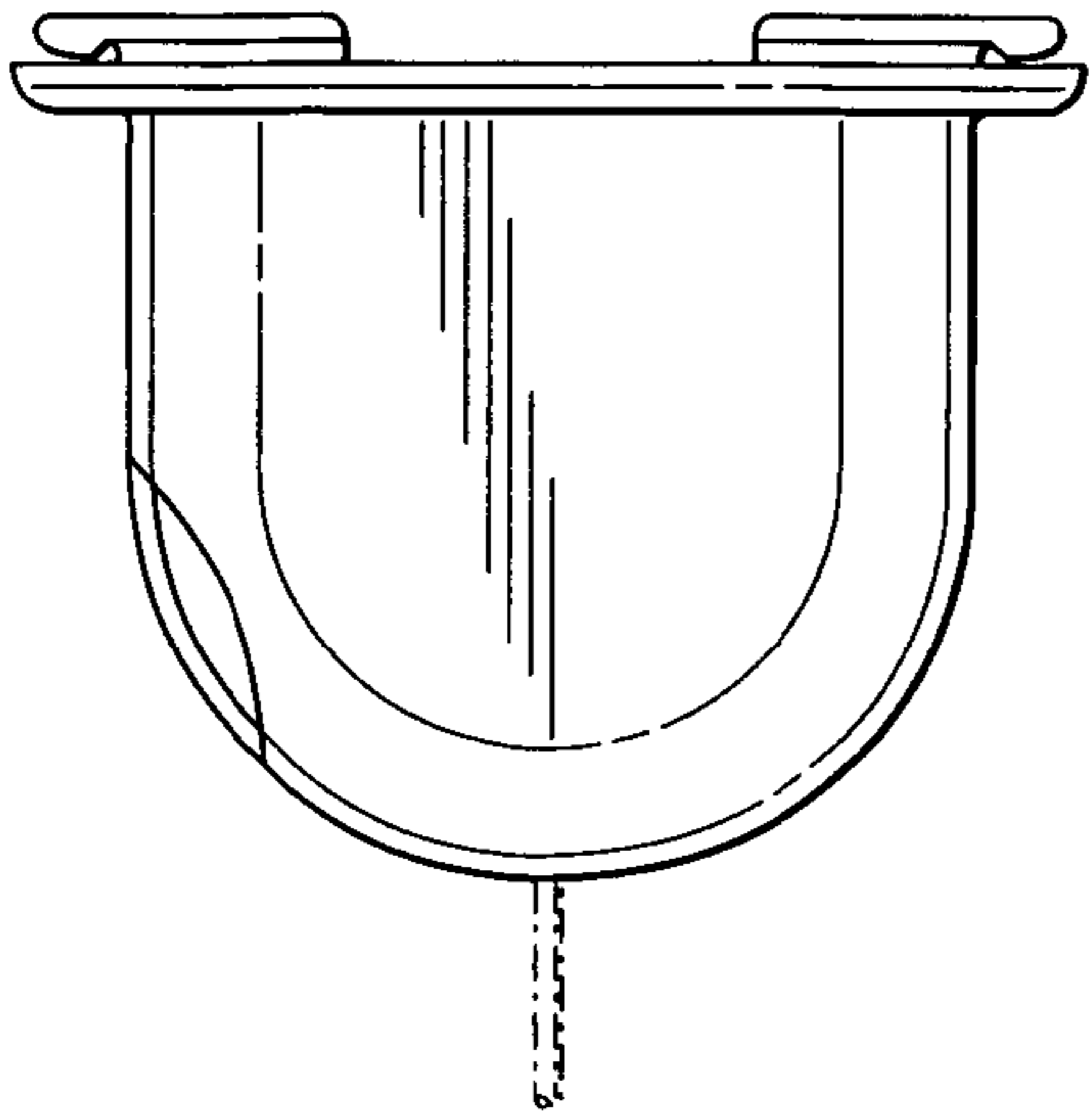


Fig. 3

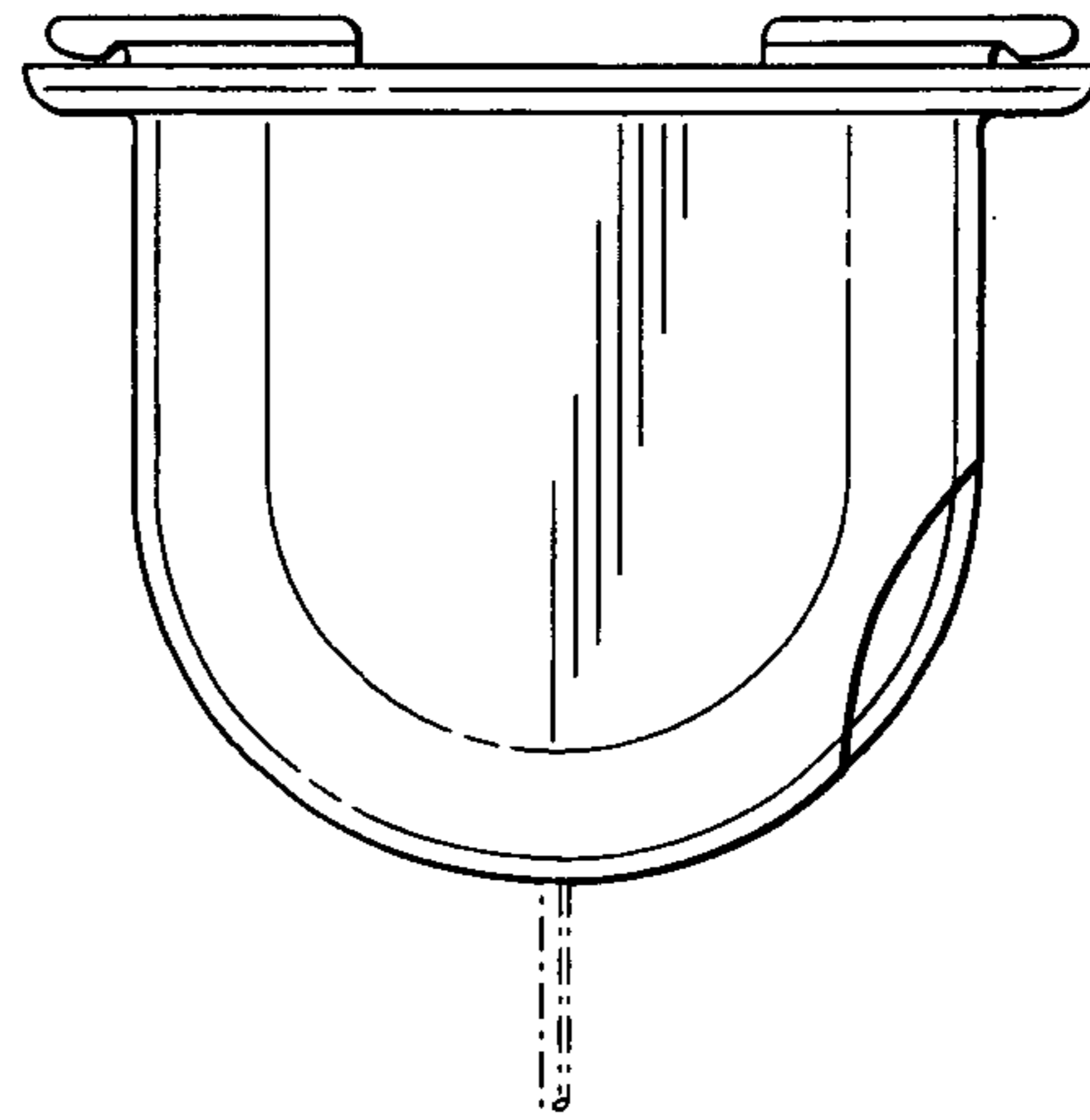


Fig. 4

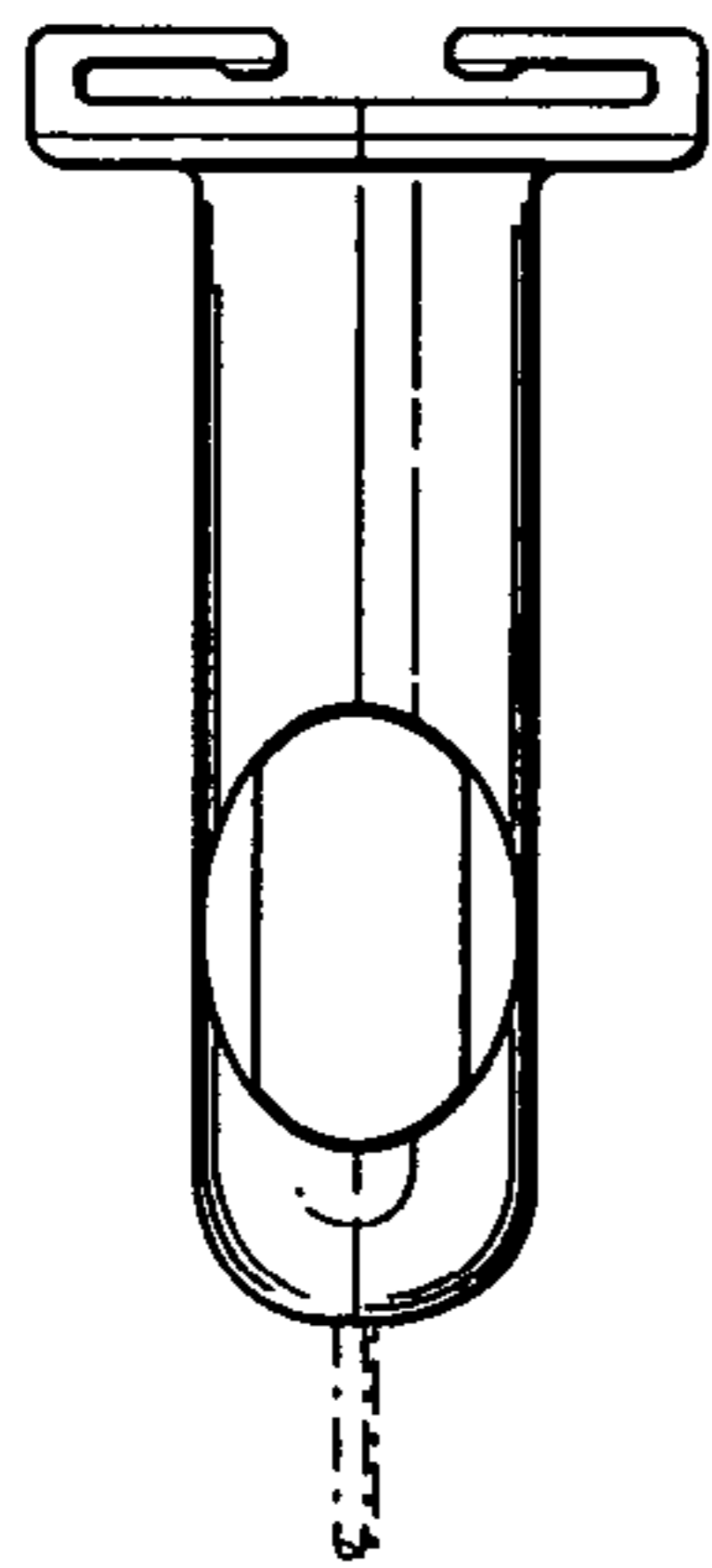


Fig. 5

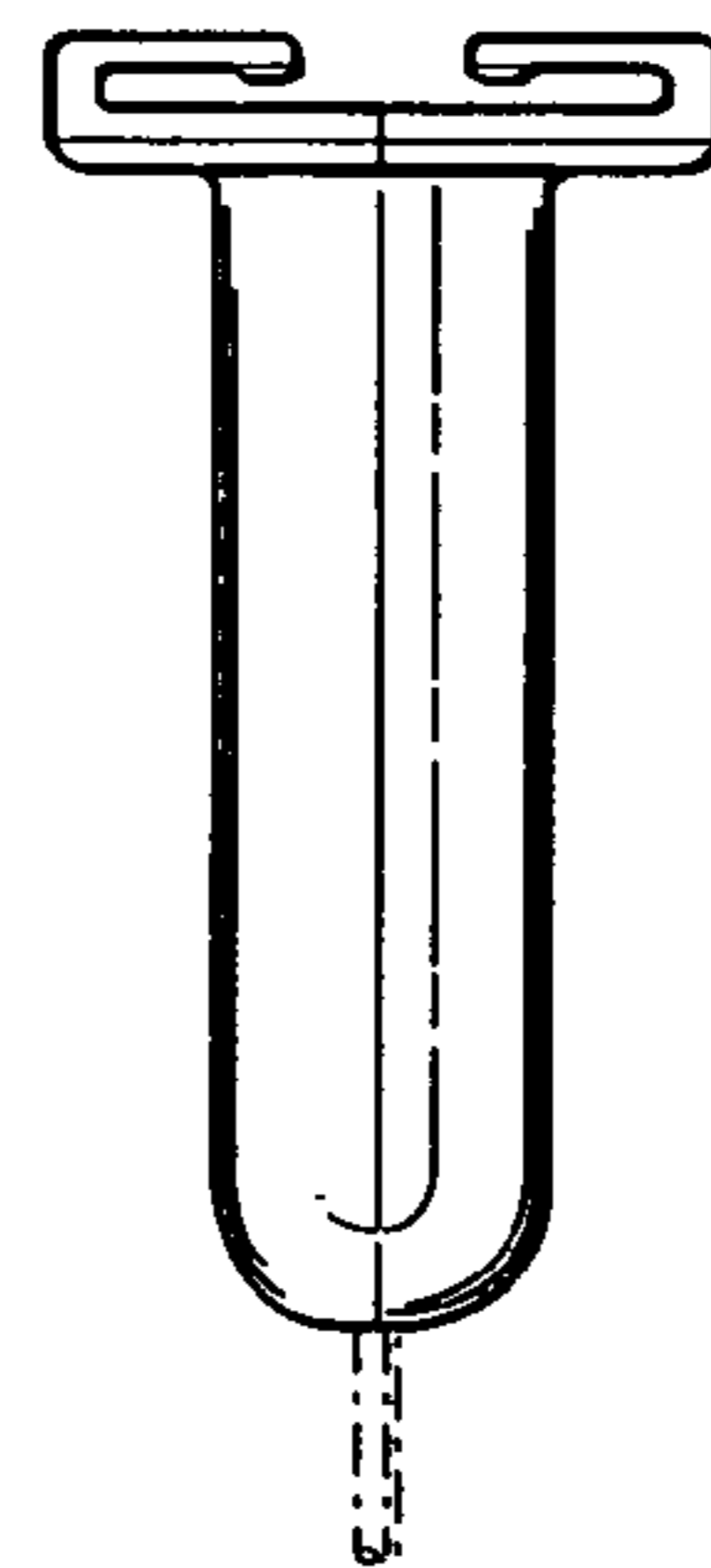


Fig. 6

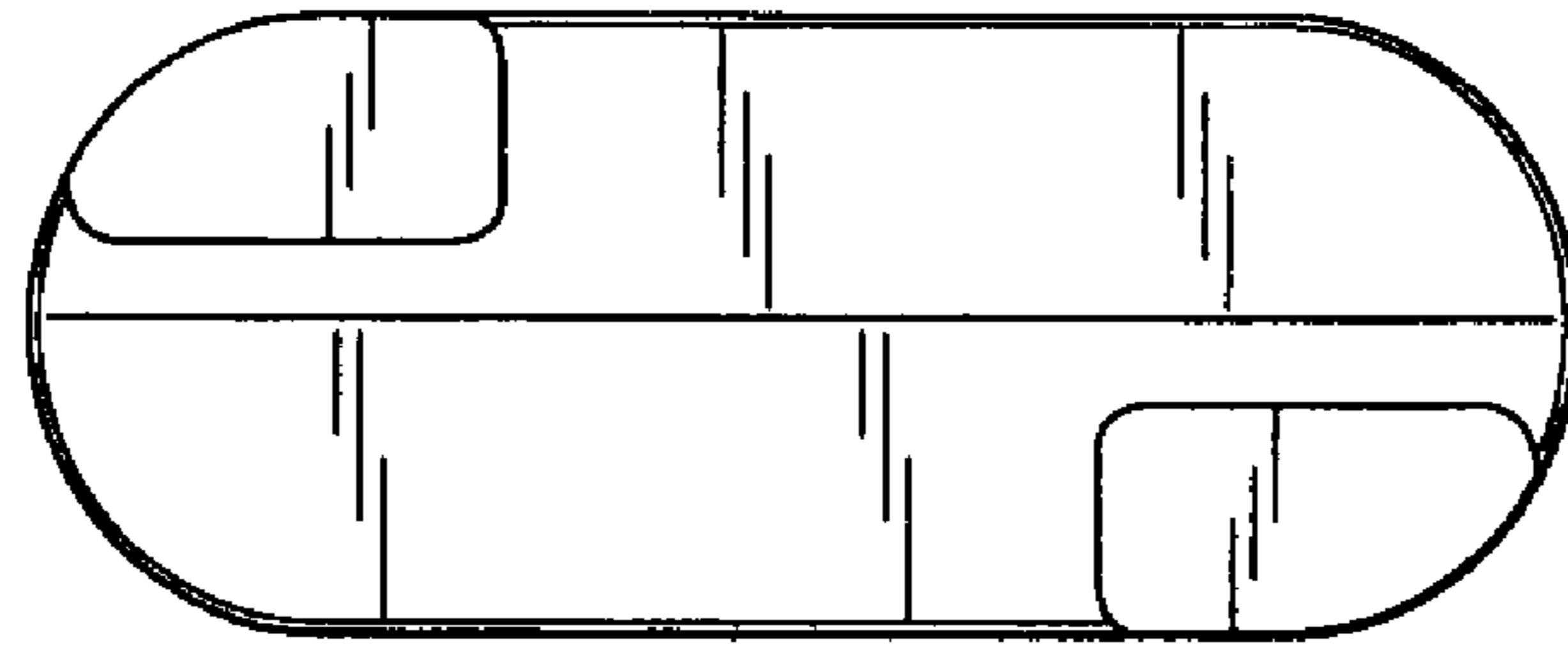


Fig. 7

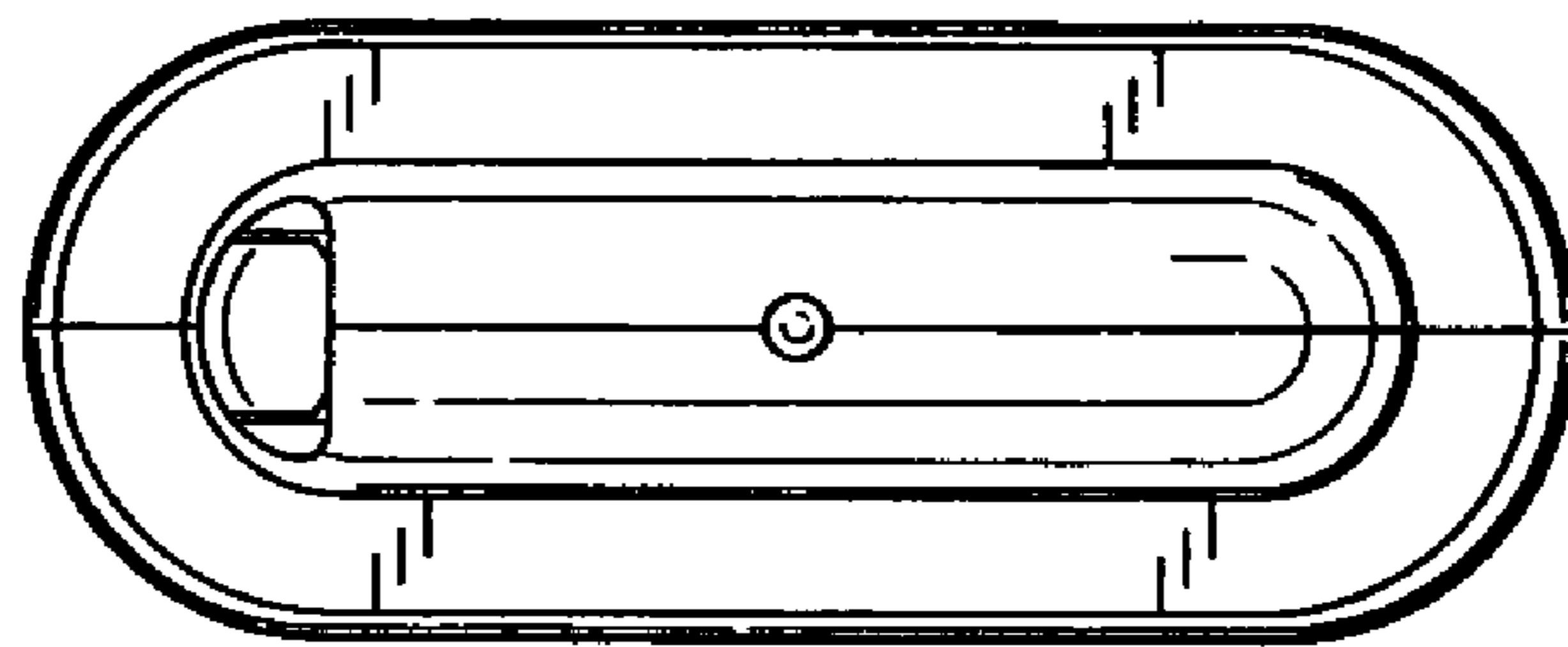


Fig. 8