



US00D563769S

(12) **United States Design Patent**
Short et al.

(10) **Patent No.:** **US D563,769 S**
(45) **Date of Patent:** **** Mar. 11, 2008**

(54) **PIVOT COMPONENT FOR A MOUNTING BRACKET**

(75) Inventors: **Mark Short**, West Midlands (GB);
Kenneth Gary Nicholls, West Midlands (GB); **Raymond Worrall**, West Midlands (GB)

(73) Assignee: **AVF Group Limited**, Telford (GB)

(**) Term: **14 Years**

(21) Appl. No.: **29/264,815**

(22) Filed: **Aug. 17, 2006**

(51) **LOC (8) Cl.** **08-05**

(52) **U.S. Cl.** **D8/354**

(58) **Field of Classification Search** D8/354,
D8/349; D14/452; 248/121, 274.1, 284.1
See application file for complete search history.

(56) **References Cited**

U.S. PATENT DOCUMENTS

D218,016 S	7/1970	Hobrebe	D8/363
D253,392 S	* 11/1979	Baltare	D8/354
D349,640 S	8/1994	Whitaker	D8/363
D352,652 S	11/1994	Vogels	D8/363

5,685,612 A	*	11/1997	MacDonald et al.	297/378.1
D406,228 S		3/1999	Vogels	D8/363
D410,192 S	*	5/1999	Giese	D8/354
D411,098 S		6/1999	Vogels	D8/363
6,123,305 A	*	9/2000	Lukasavitz	248/292.12
6,691,965 B1	*	2/2004	Lin	248/274.1
D488,708 S		4/2004	Lam et al.	D8/363
6,726,167 B2	*	4/2004	Oddsens, Jr.	248/274.1

* cited by examiner

Primary Examiner—Holly H. Baynham

(74) *Attorney, Agent, or Firm*—Wells St. John, P.S.

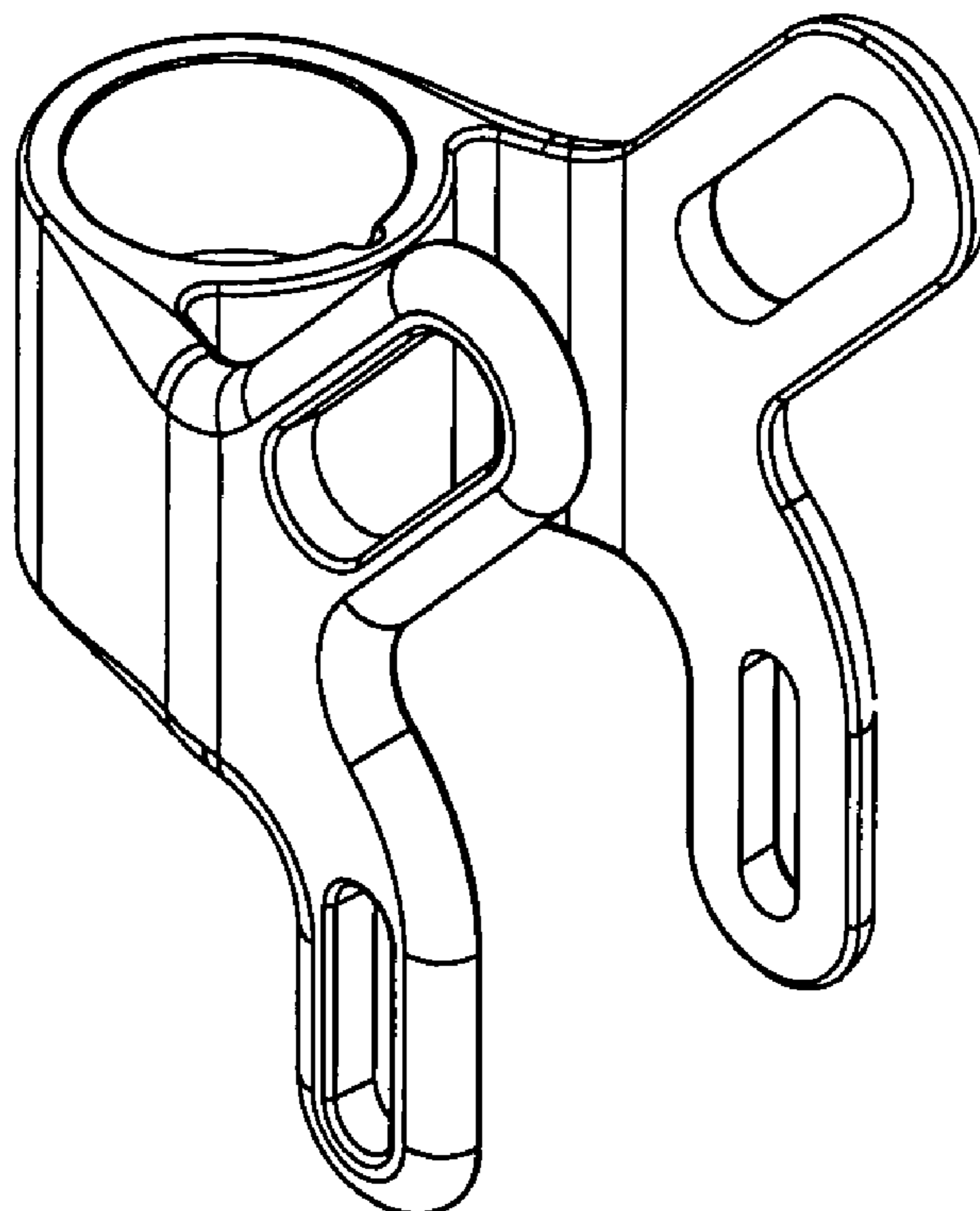
(57) **CLAIM**

The ornamental design for a pivot component for a mounting bracket, as shown and described.

DESCRIPTION

FIG. 1 is a front perspective view of the pivot component; FIG. 2 is a top plan view of the pivot component; FIG. 3 is a side view of the pivot component; FIG. 4 is an underneath plan view of the pivot component; FIG. 5 is a rear view of the pivot component; and, FIG. 6 is a front view of the pivot component.

1 Claim, 3 Drawing Sheets



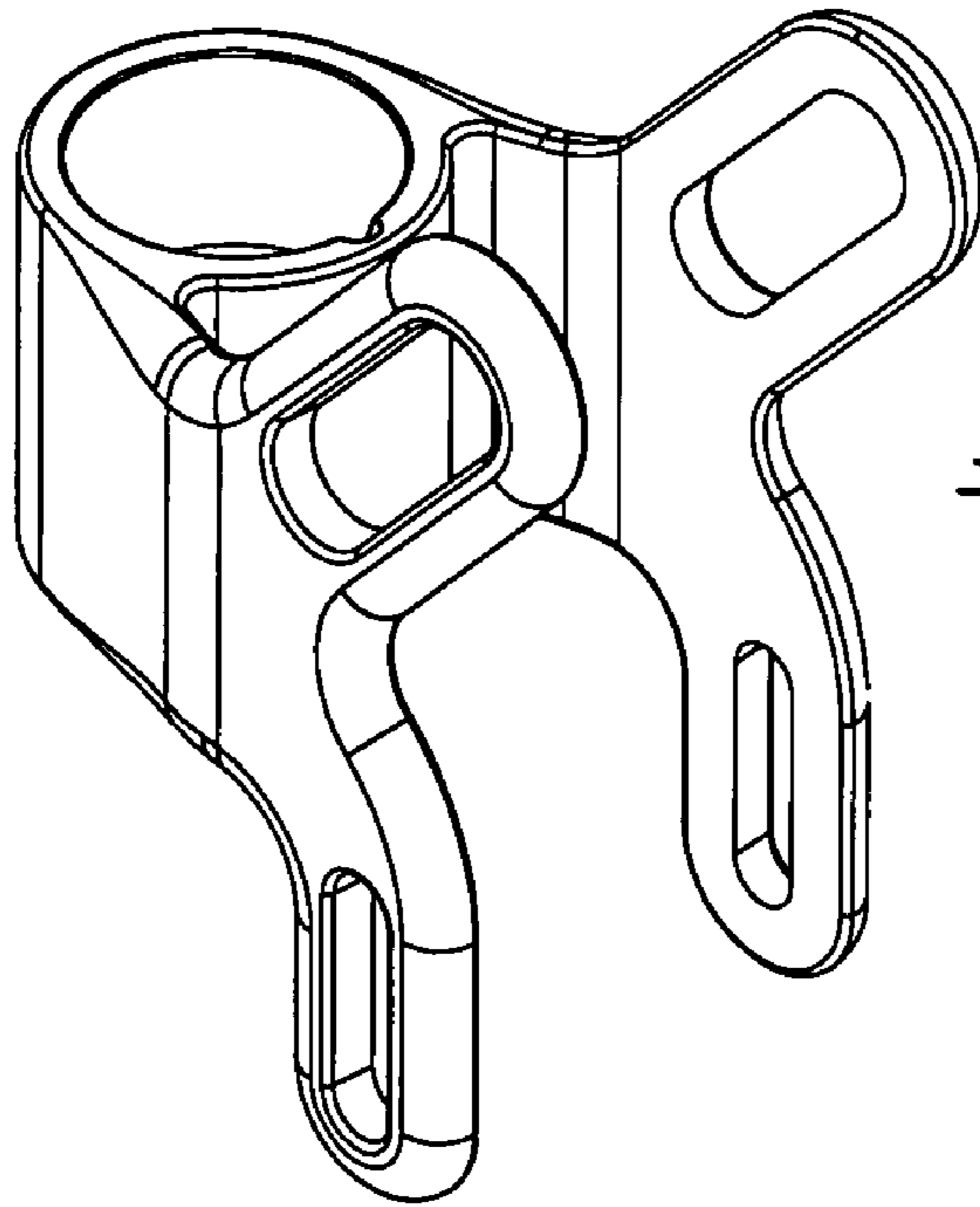


FIG. 1

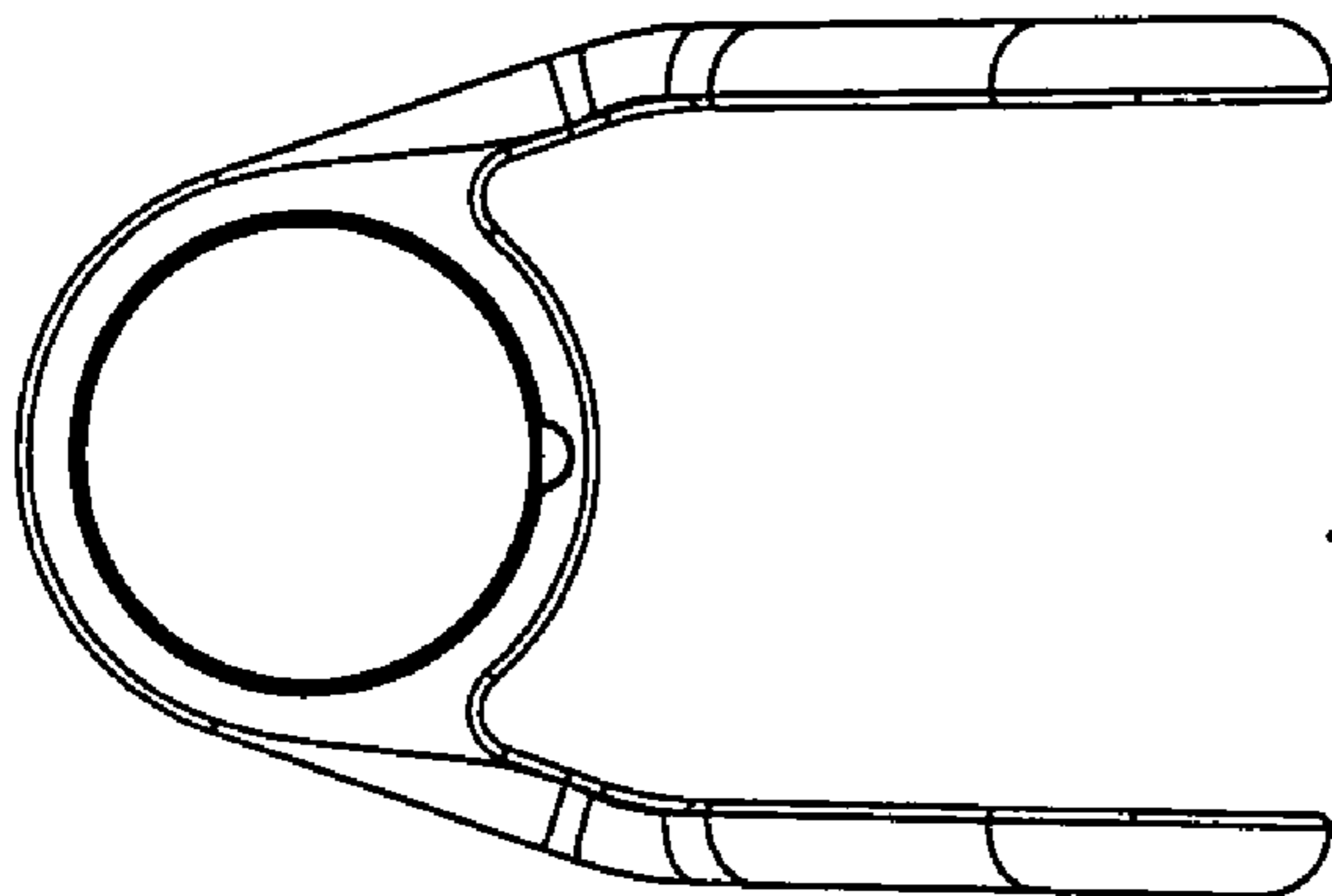


FIG. 2

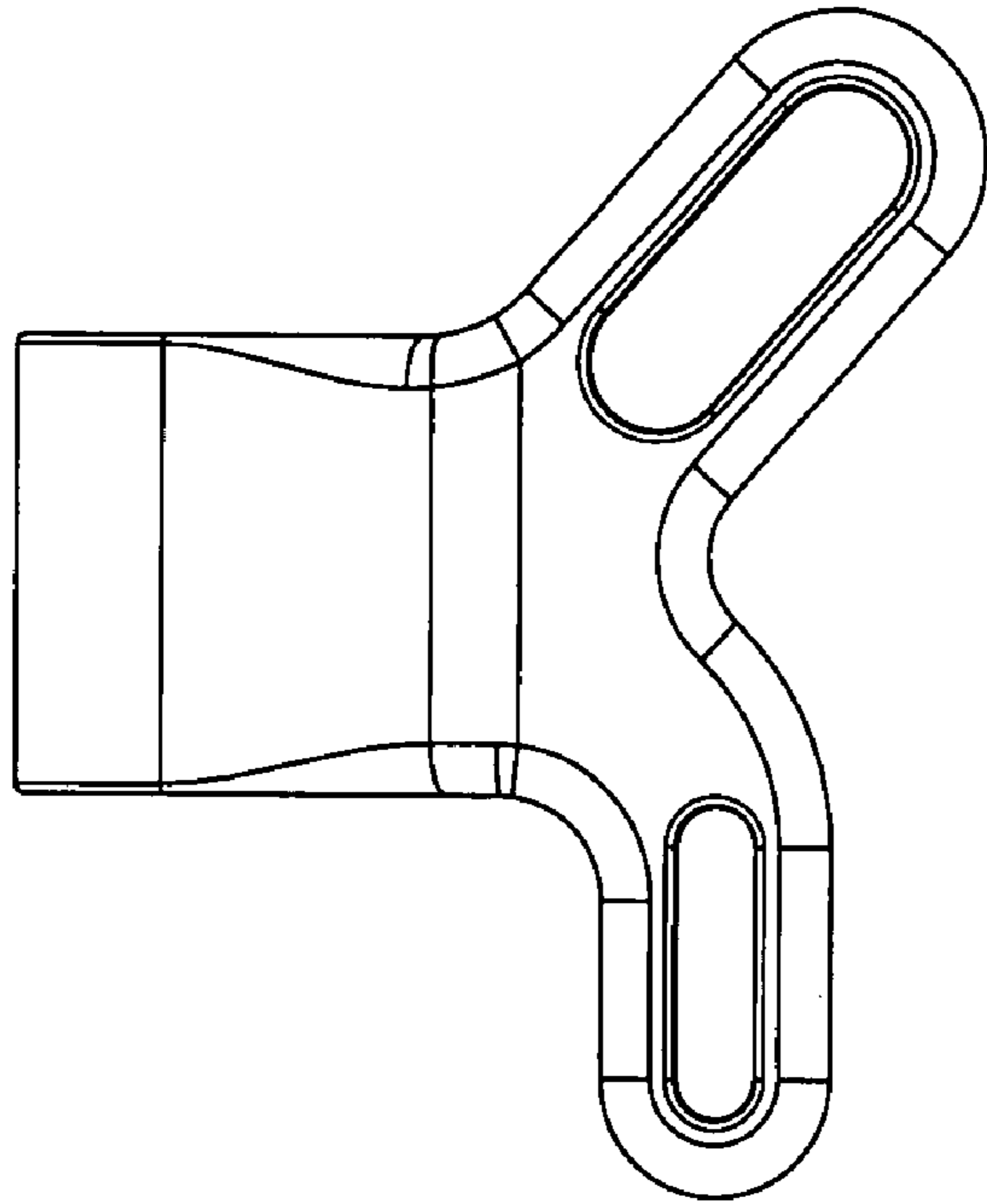


FIG. 2

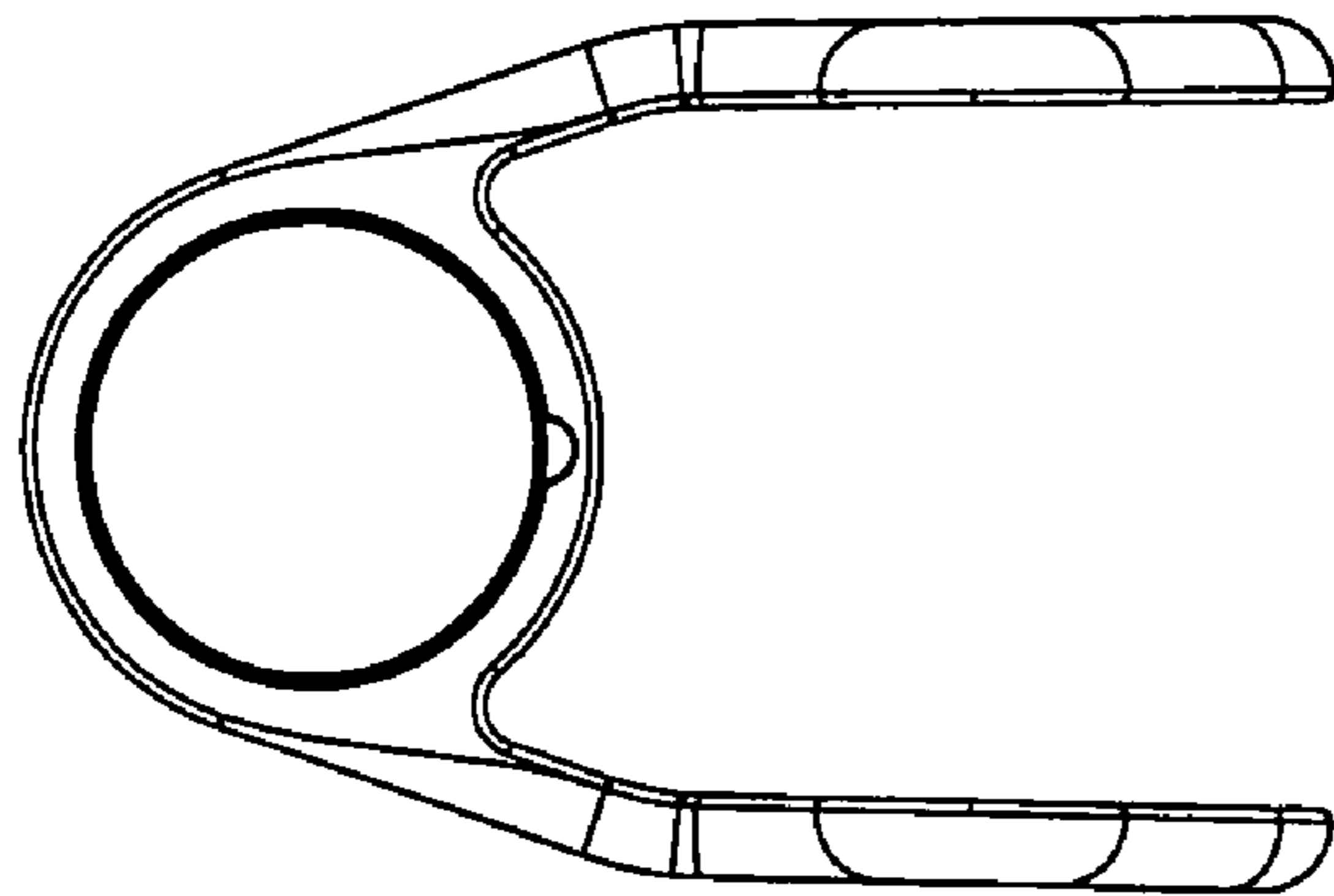


FIG. 3

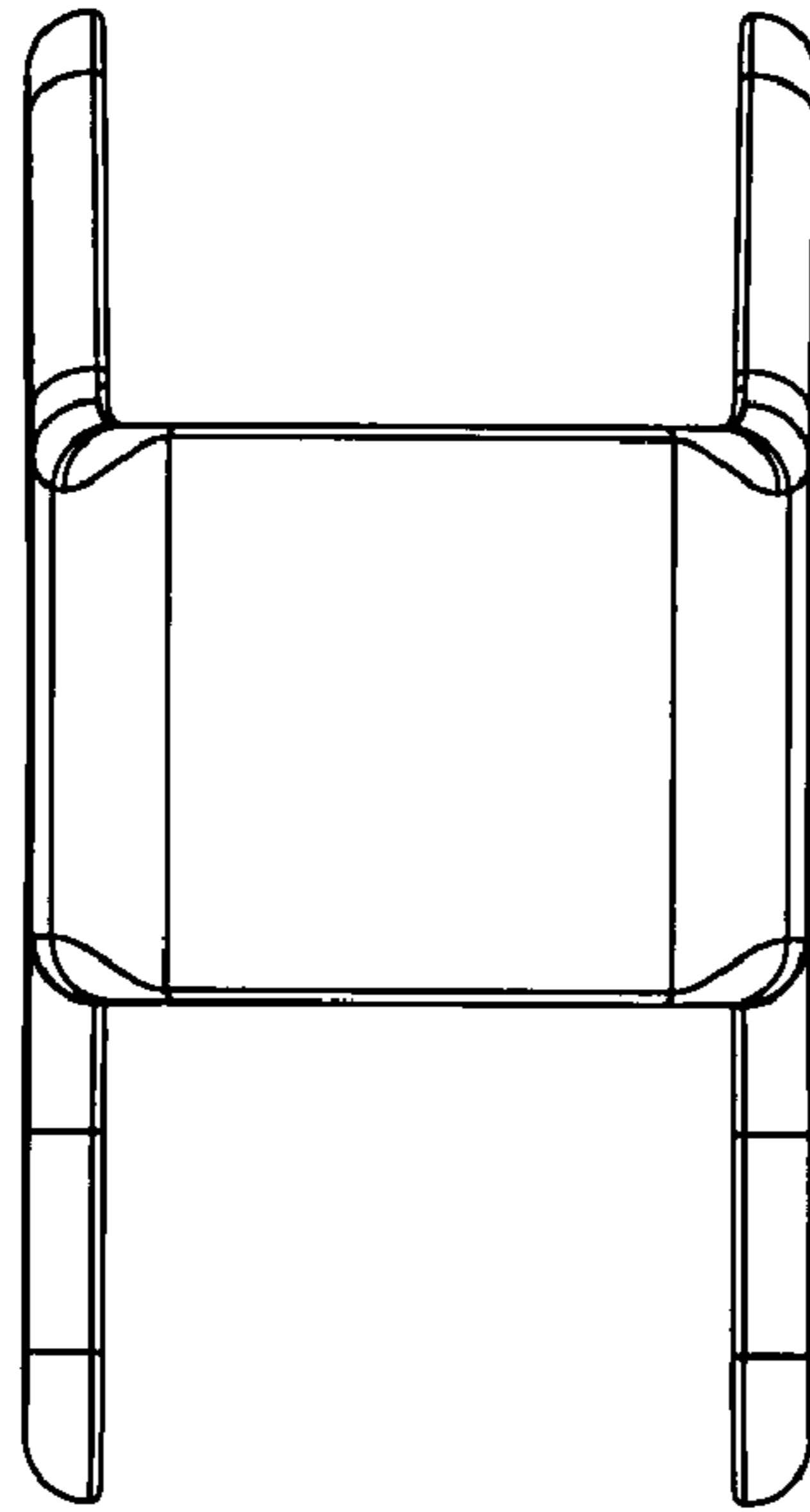


FIG. 5

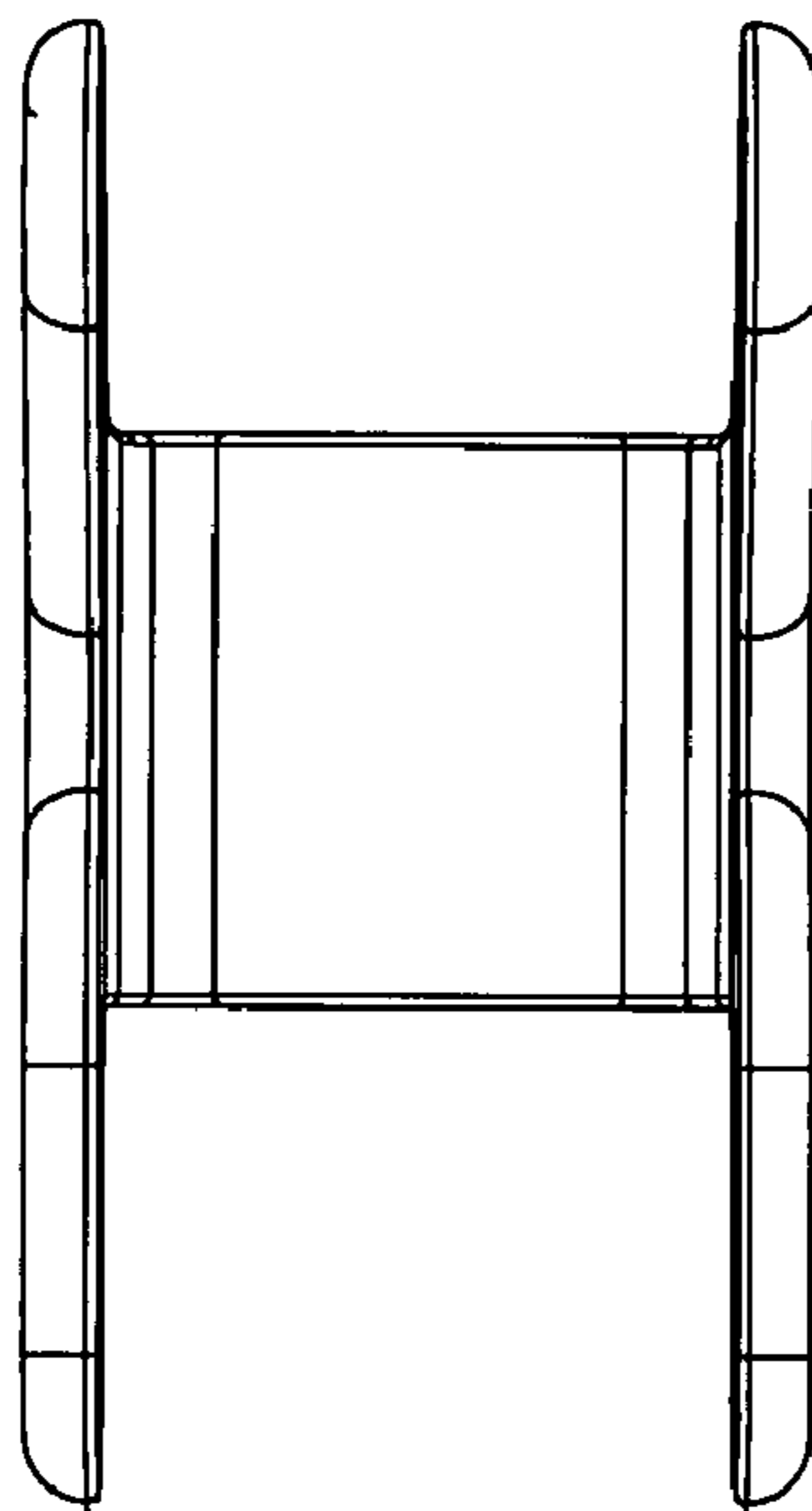


FIG. 6