



US00D563766S

(12) **United States Design Patent**
Trimble

(10) **Patent No.:** **US D563,766 S**

(45) **Date of Patent:** **** Mar. 11, 2008**

(54) **DOOR LOCK ASSEMBLY**

D481,294 S 10/2003 Trimble

(76) Inventor: **James R. Trimble**, P.O. Box 992181,
Redding, CA (US) 96009

* cited by examiner

(**) Term: **14 Years**

Primary Examiner—Mitchell Siegel

(74) *Attorney, Agent, or Firm*—R. Michael West

(21) Appl. No.: **29/273,454**

(57) **CLAIM**

(22) Filed: **Mar. 5, 2007**

The ornamental design for a door lock assembly, as shown and described.

(51) **LOC (8) Cl.** **08-07**

(52) **U.S. Cl.** **D8/331**

(58) **Field of Classification Search** D8/330–348;
70/89–91, 271, 277–279, 285, 129, 156,
70/214, 218; 340/5.21, 5.54, 5.65, 5.73,
340/5.81, 5.85

See application file for complete search history.

DESCRIPTION

FIG. 1 is a right front perspective view of the front portion of a door lock assembly, showing my new design;

FIG. 2 is a left front perspective view of the rear portion, thereof;

FIG. 3 is a front elevational view, thereof;

FIG. 4 is an elevational view of one side, thereof;

FIG. 5 is a top plan view, thereof;

FIG. 6 is an elevational view of the other side, thereof;

FIG. 7 is a bottom plan view, thereof; and,

FIG. 8 is a rear elevational view, thereof.

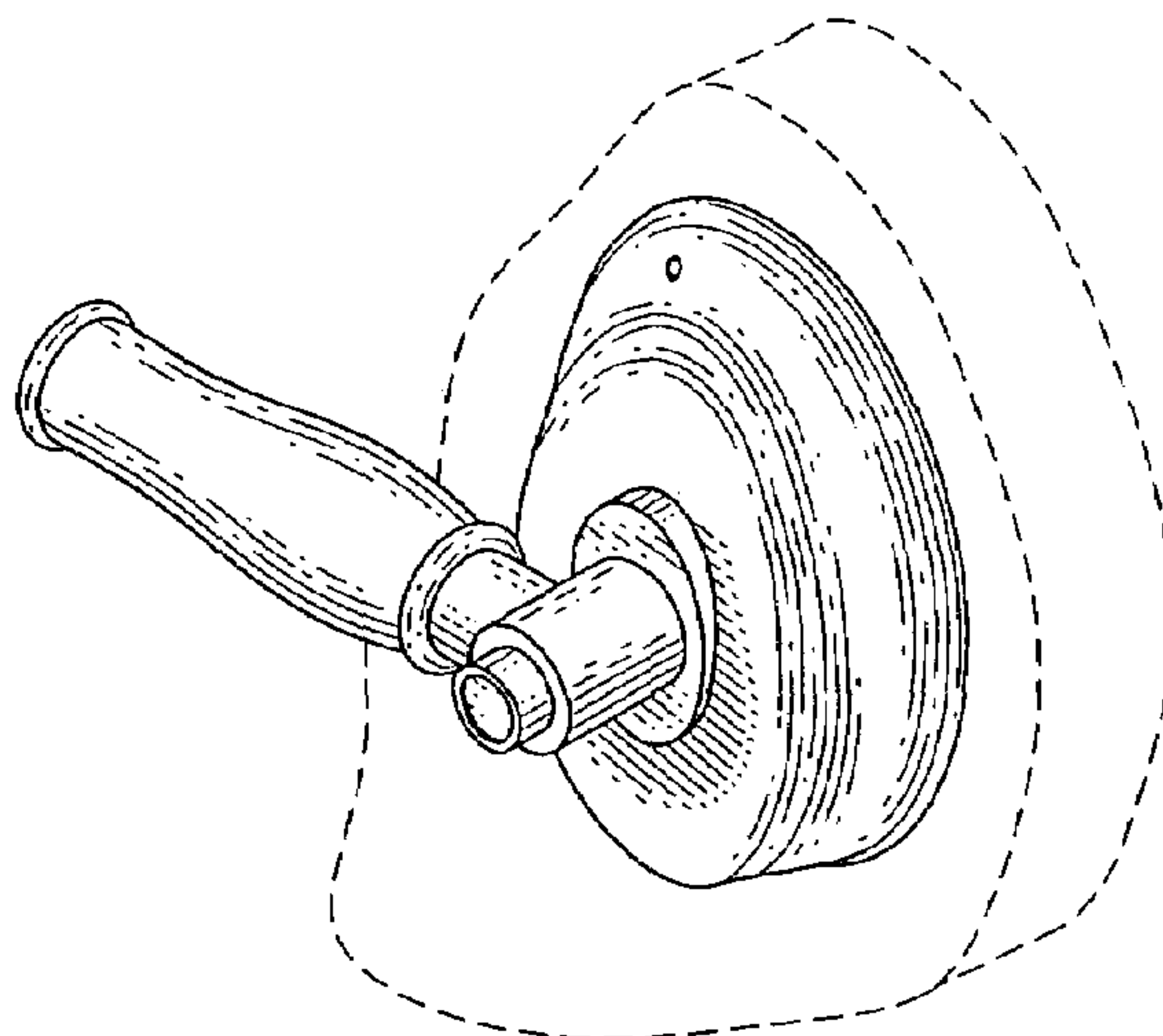
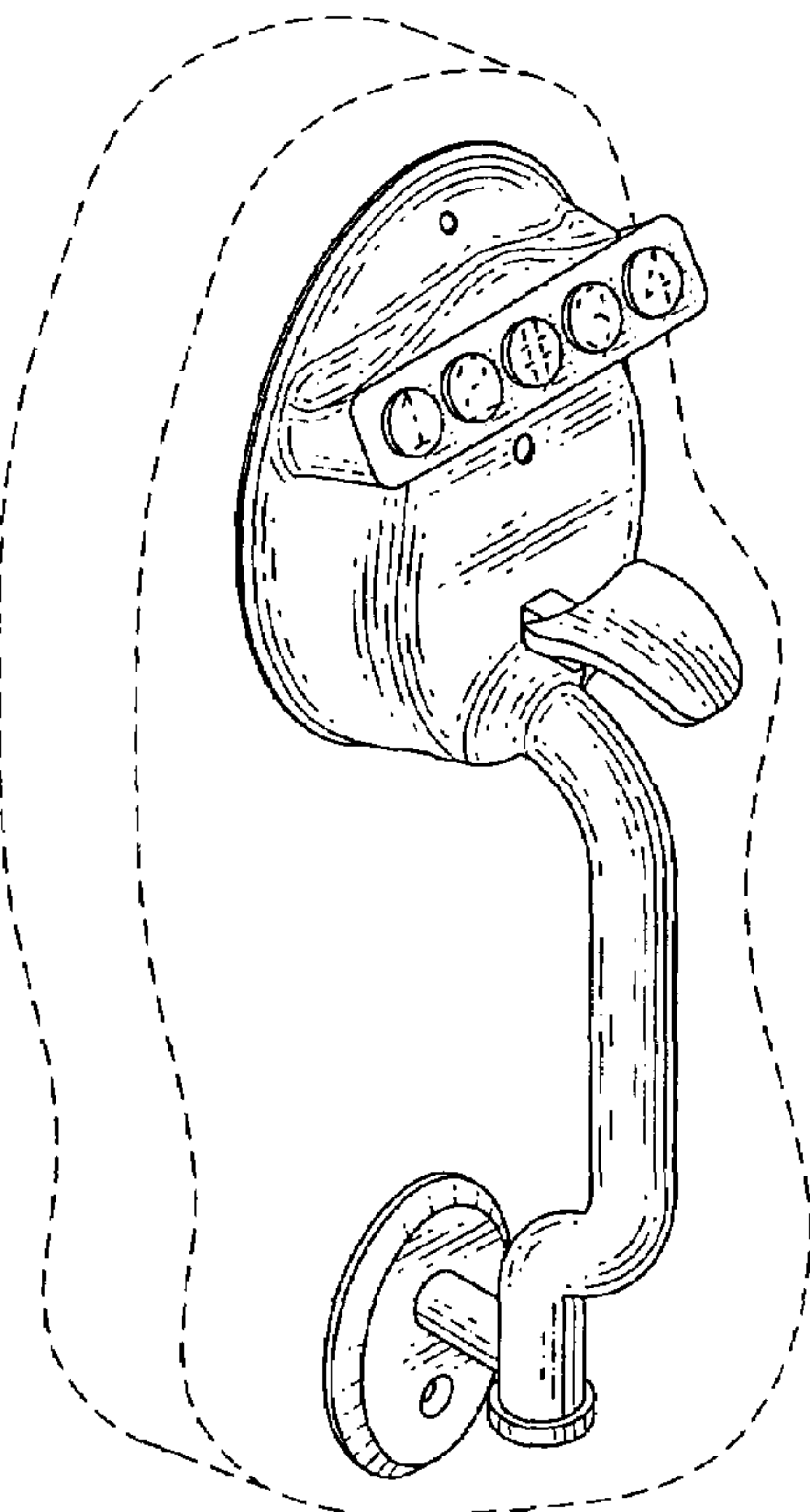
The broken line representation of a portion of a door, the battery housing covers and the numerals shown in the drawings are included solely for illustrative purposes, forming no part of the claimed design.

(56) **References Cited**

U.S. PATENT DOCUMENTS

D223,745 S *	6/1972	Gerlach	D8/302
D223,989 S *	6/1972	Gerlach	D8/302
D223,991 S *	6/1972	Gerlach	D8/302
4,637,237 A *	1/1987	Witkoski et al.	70/285
D348,200 S *	6/1994	Carsello	D8/302
5,475,996 A *	12/1995	Chen	70/279.1
D365,976 S *	1/1996	Chiu	D8/330
D388,308 S *	12/1997	Evans et al.	D8/330
5,841,361 A *	11/1998	Hoffman	70/278.1
D452,640 S *	1/2002	Gartner	D8/330
D452,807 S *	1/2002	Gartner	D8/330

1 Claim, 2 Drawing Sheets



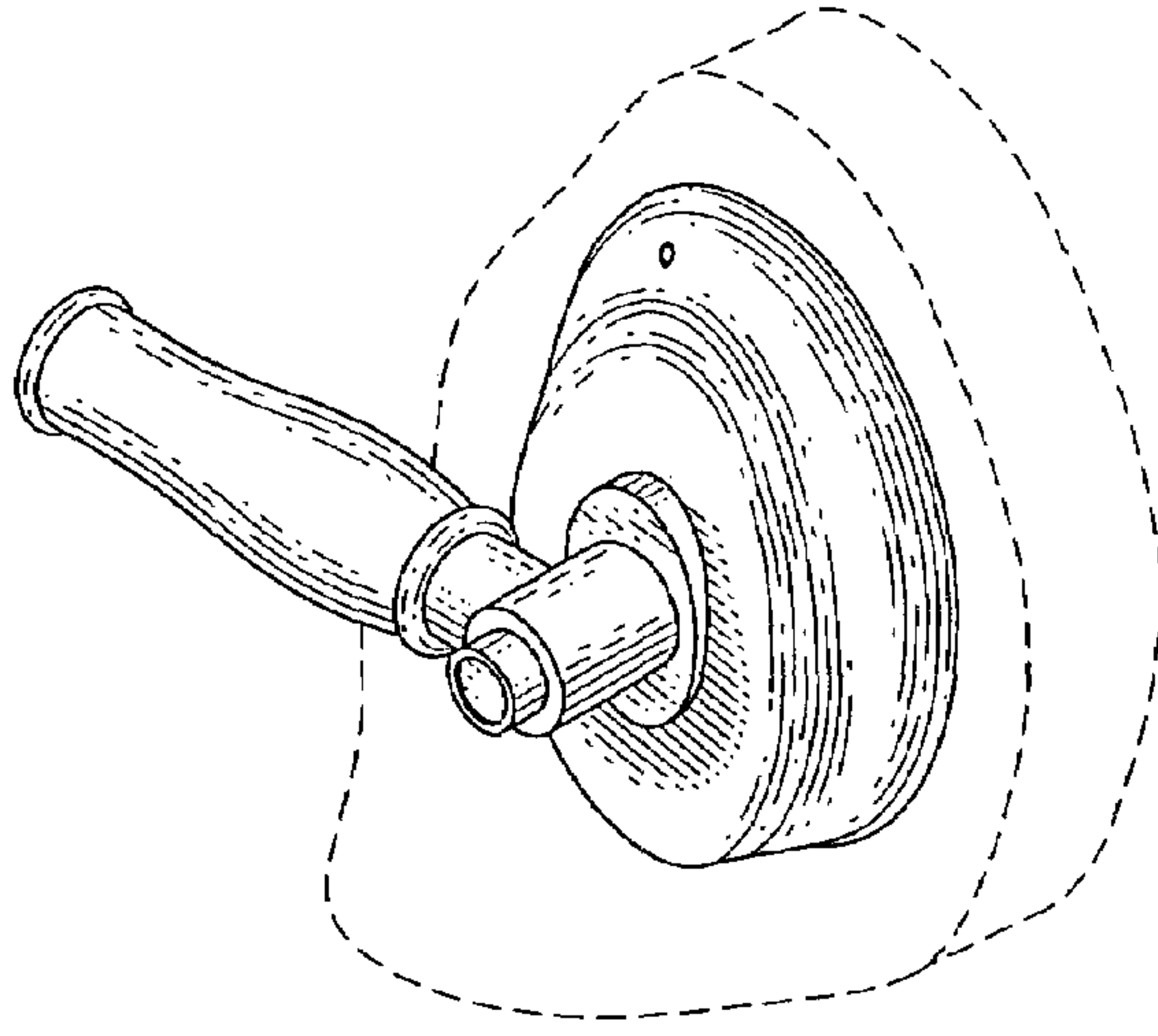


Fig. 2

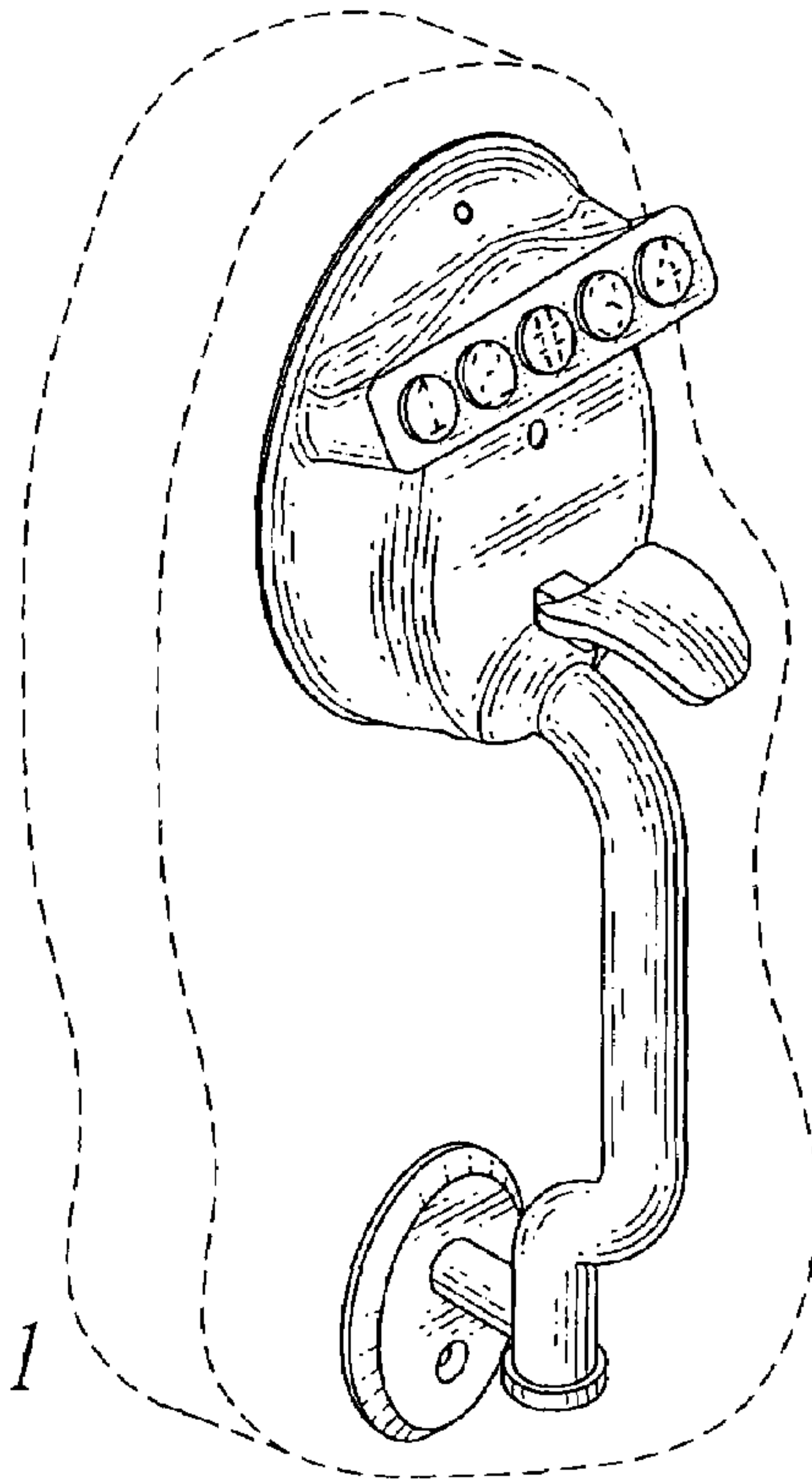


Fig. 1

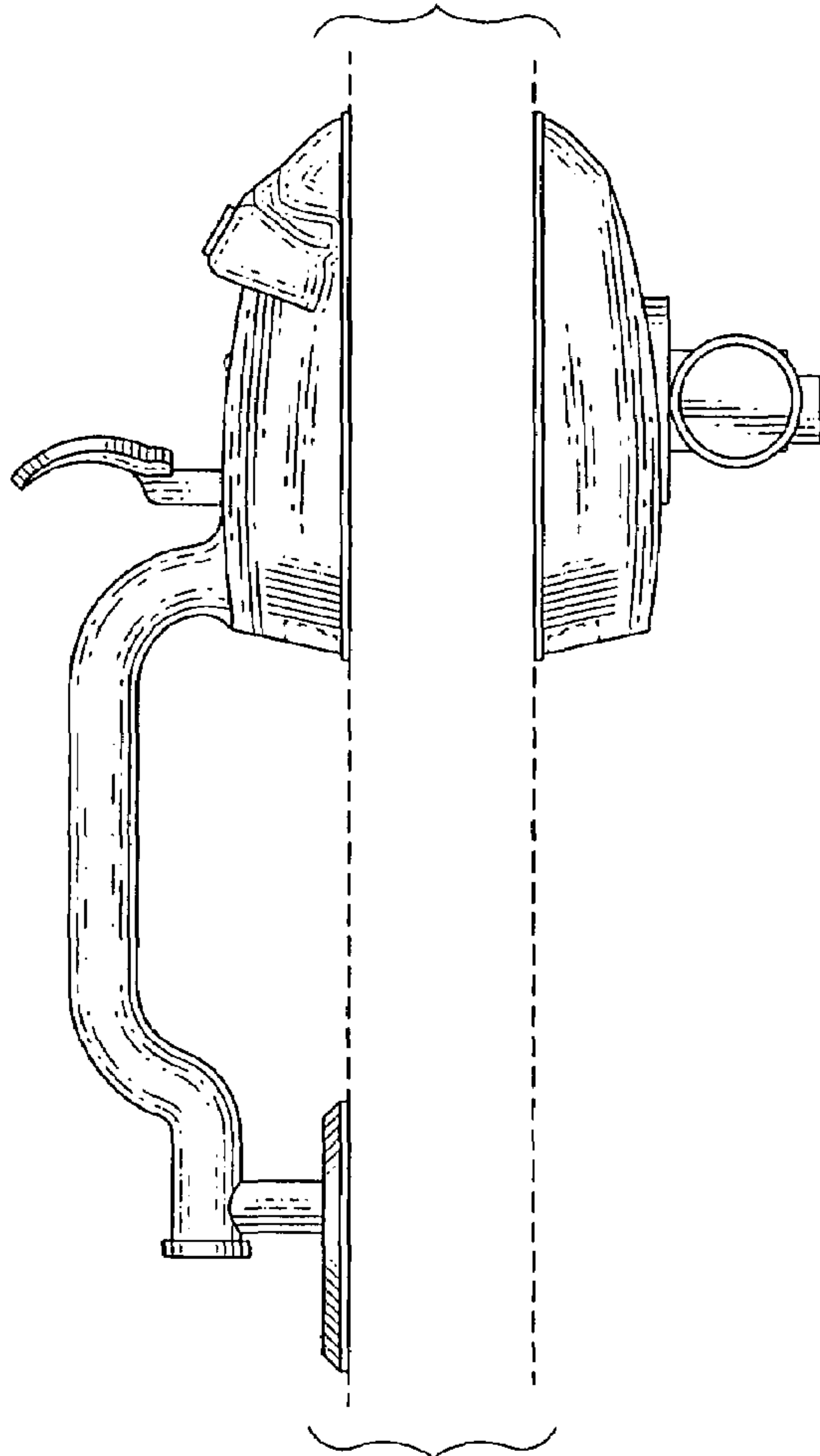


Fig. 4

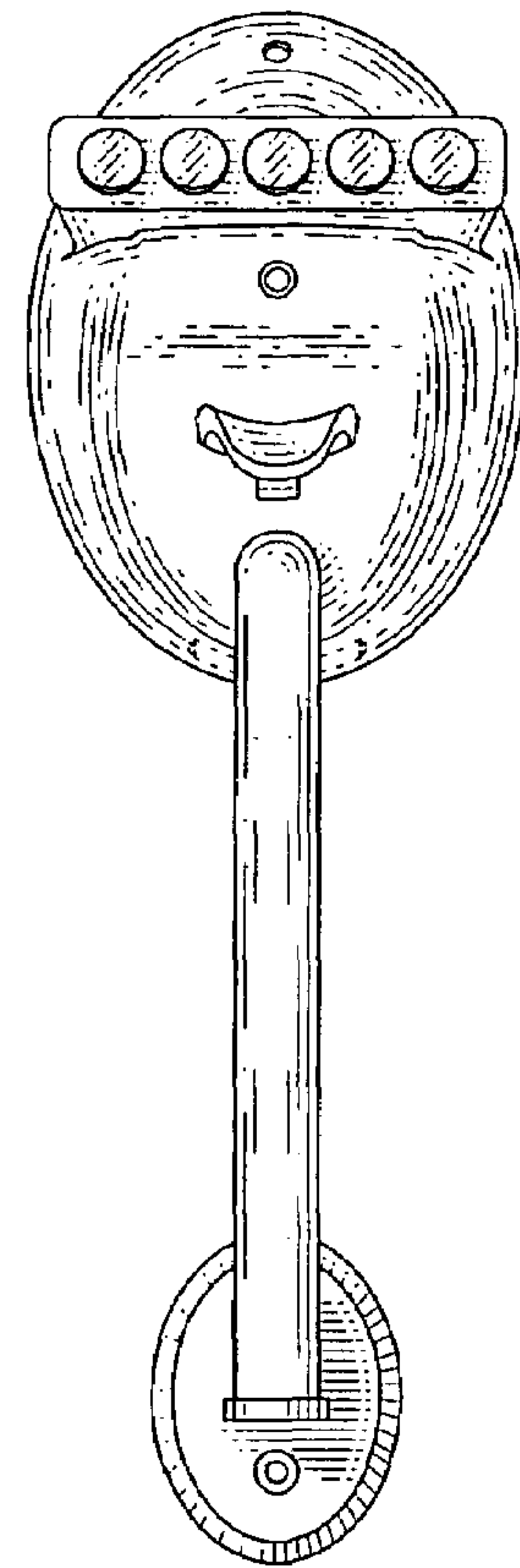


Fig. 3

