



US00D563765S

(12) **United States Design Patent**  
**Littrell et al.**

(10) **Patent No.:** **US D563,765 S**  
(45) **Date of Patent:** **\*\* Mar. 11, 2008**

(54) **BOLT SEAL**

(75) Inventors: **Paul A. Littrell**, Fort Wayne, IN (US);  
**Wanda K. Beard**, Angola, IN (US);  
**David L. Gilbert**, Fort Wayne, IN (US)

(73) Assignee: **Brammall, Inc.**, Angola, IN (US)

(\*\*) Term: **14 Years**

(21) Appl. No.: **29/259,169**

(22) Filed: **May 4, 2006**

(51) **LOC (8) Cl.** ..... **08-07**

(52) **U.S. Cl.** ..... **D8/331**

(58) **Field of Classification Search** ..... **D8/330-348**  
See application file for complete search history.

(56) **References Cited**

**U.S. PATENT DOCUMENTS**

1,803,803	A	5/1931	Kaufman	
2,341,469	A	2/1944	Newall	
2,799,027	A	7/1957	Hatebur	
4,023,225	A	5/1977	Tochilkin et al.	
4,802,699	A	2/1989	Smith	
4,936,612	A	6/1990	Kohn	
5,127,687	A	7/1992	Guiler	
5,165,740	A	11/1992	Curnes et al.	
D345,291	S *	3/1994	Brown	D8/331
5,855,054	A	1/1999	Rivera et al.	
6,161,273	A	12/2000	Rivera et al.	
6,550,829	B1	4/2003	Dobson	
D514,425	S *	2/2006	Hamilton et al.	D8/331
D548,041	S *	8/2007	Littrell et al.	D8/331

**FOREIGN PATENT DOCUMENTS**

DE	19928703	12/2000
JP	01099740 A	4/1989
JP	08309472 A	11/1996

\* cited by examiner

*Primary Examiner*—Mitchell Siegel

(74) *Attorney, Agent, or Firm*—Pillsbury Winthrop Shaw Pittman, LLP

(57) **CLAIM**

The ornamental design for a bolt seal, as shown and described.

**DESCRIPTION**

FIG. 1 is a perspective illustration of a first embodiment of the bolt seal according to our design, the perspective being from the top rear end of the bolt seal;

FIG. 2 is a perspective illustration thereof, the perspective being from the bottom front end of the bolt seal;

FIG. 3 is a left side view thereof, the right side view being a mirror image thereof;

FIG. 4 is a bottom plan view thereof;

FIG. 5 is a top plan view thereof;

FIG. 6 is a front end view thereof;

FIG. 7 is a rear end view thereof;

FIG. 8 is a perspective illustration of a second embodiment of the bolt seal according to our design, the perspective being from the top rear end of the bolt seal;

FIG. 9 is a perspective illustration thereof, the perspective being from the bottom front end of the bolt seal;

FIG. 10 is a left side view thereof, the right side view being a mirror image thereof;

FIG. 11 is a bottom plan view thereof;

FIG. 12 is a top plan view thereof;

FIG. 13 is a front end view thereof;

FIG. 14 is a rear end view thereof;

FIG. 15 is a perspective illustration of a third embodiment of the bolt seal according to our design, the third embodiment being for a portion of a bolt seal, the perspective being from the top rear end of the bolt seal;

FIG. 16 is a perspective illustration thereof, the perspective being from the bottom front end of the bolt seal;

FIG. 17 is a left side view thereof, the right side view being a mirror image thereof;

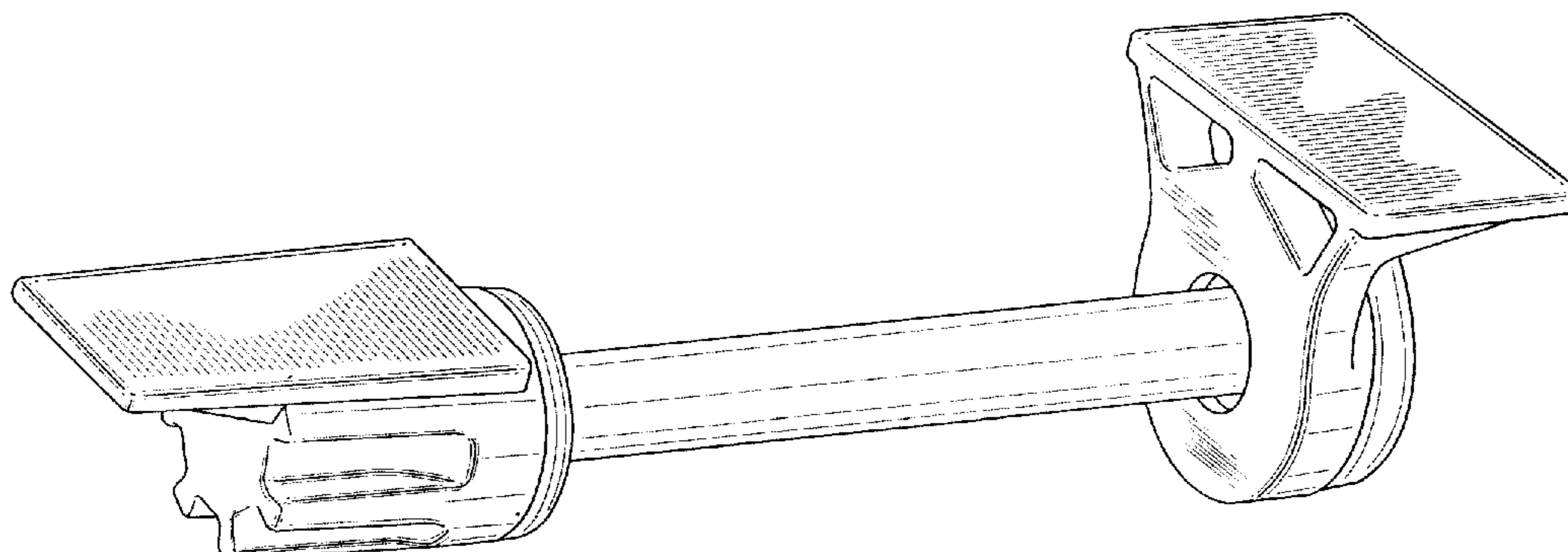
FIG. 18 is a bottom plan view thereof;

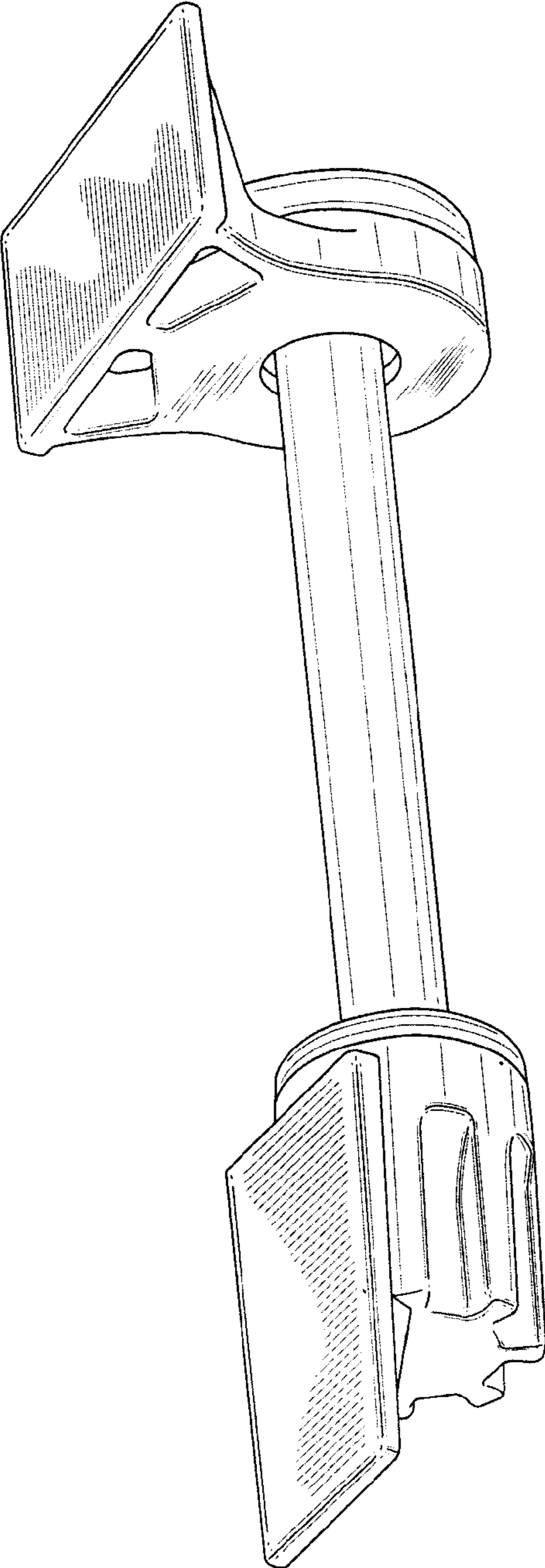
FIG. 19 is a top plan view thereof;

FIG. 20 is a front end view thereof; and,

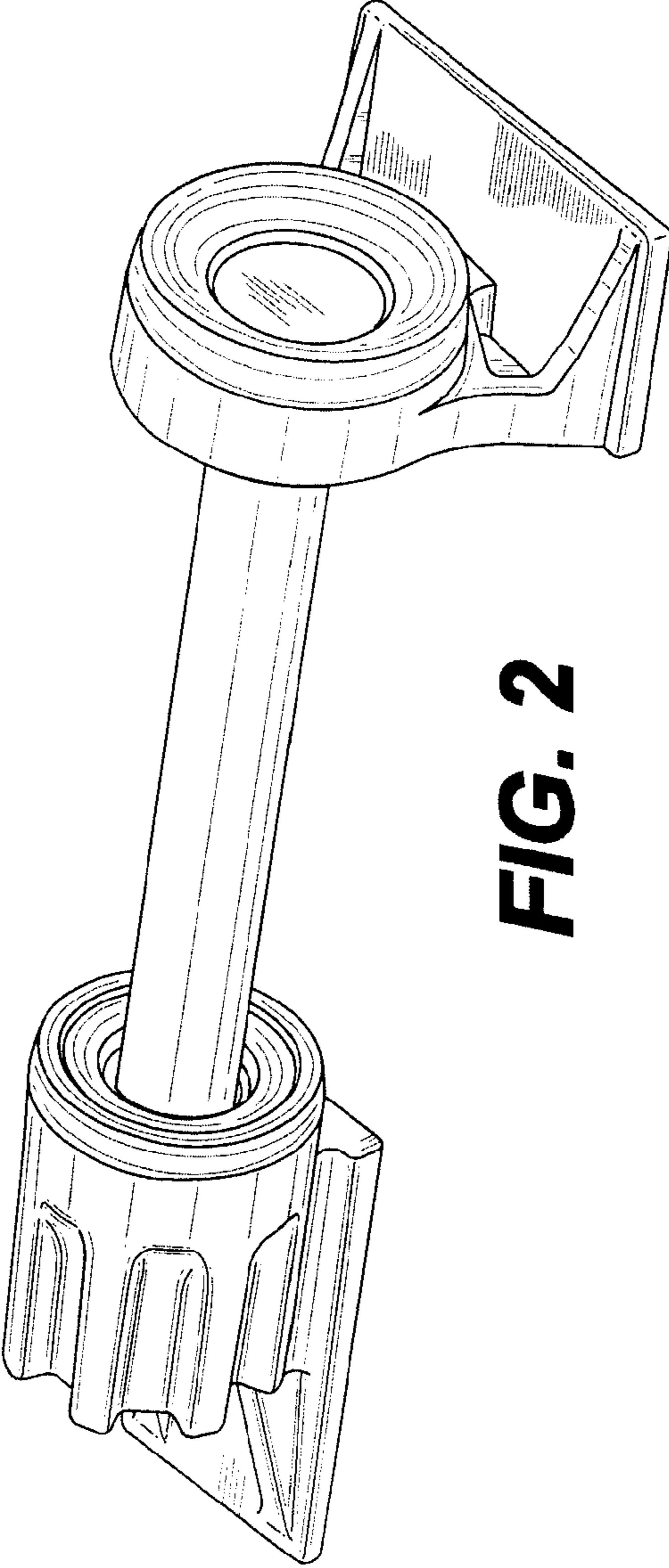
FIG. 21 is a rear end view thereof.

**1 Claim, 9 Drawing Sheets**

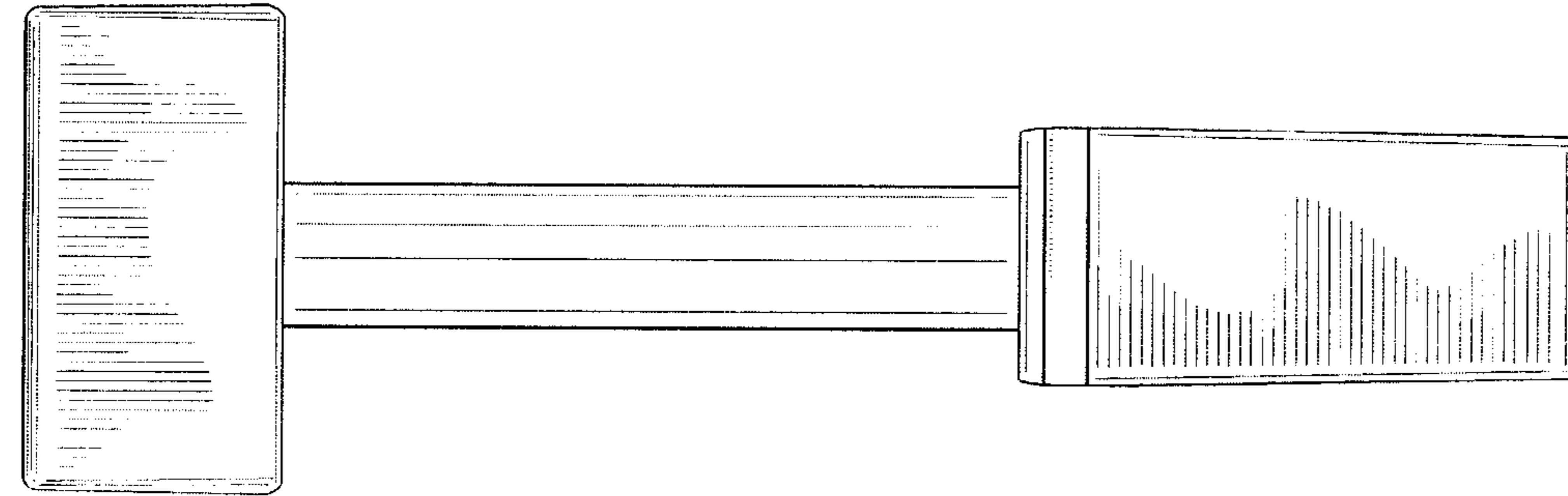




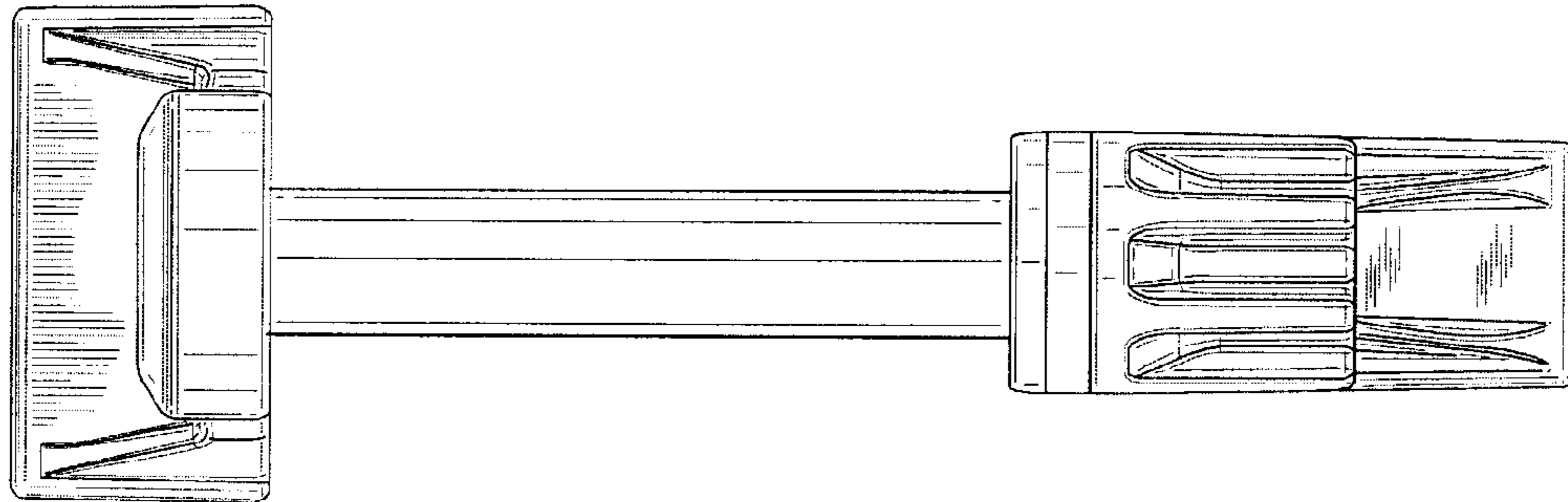
**FIG. 1**



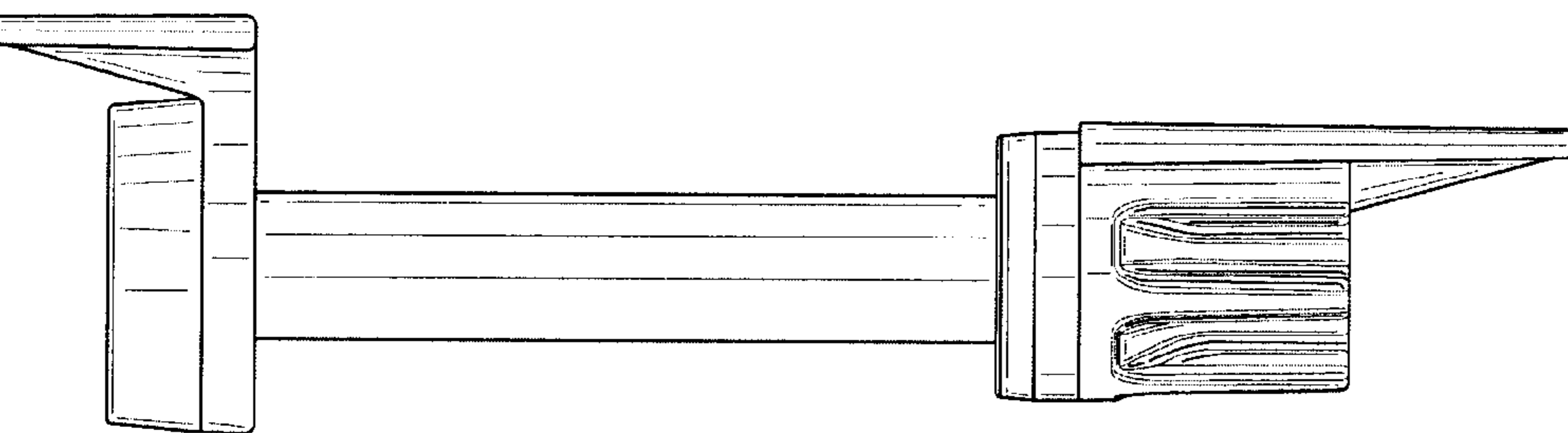
**FIG. 2**



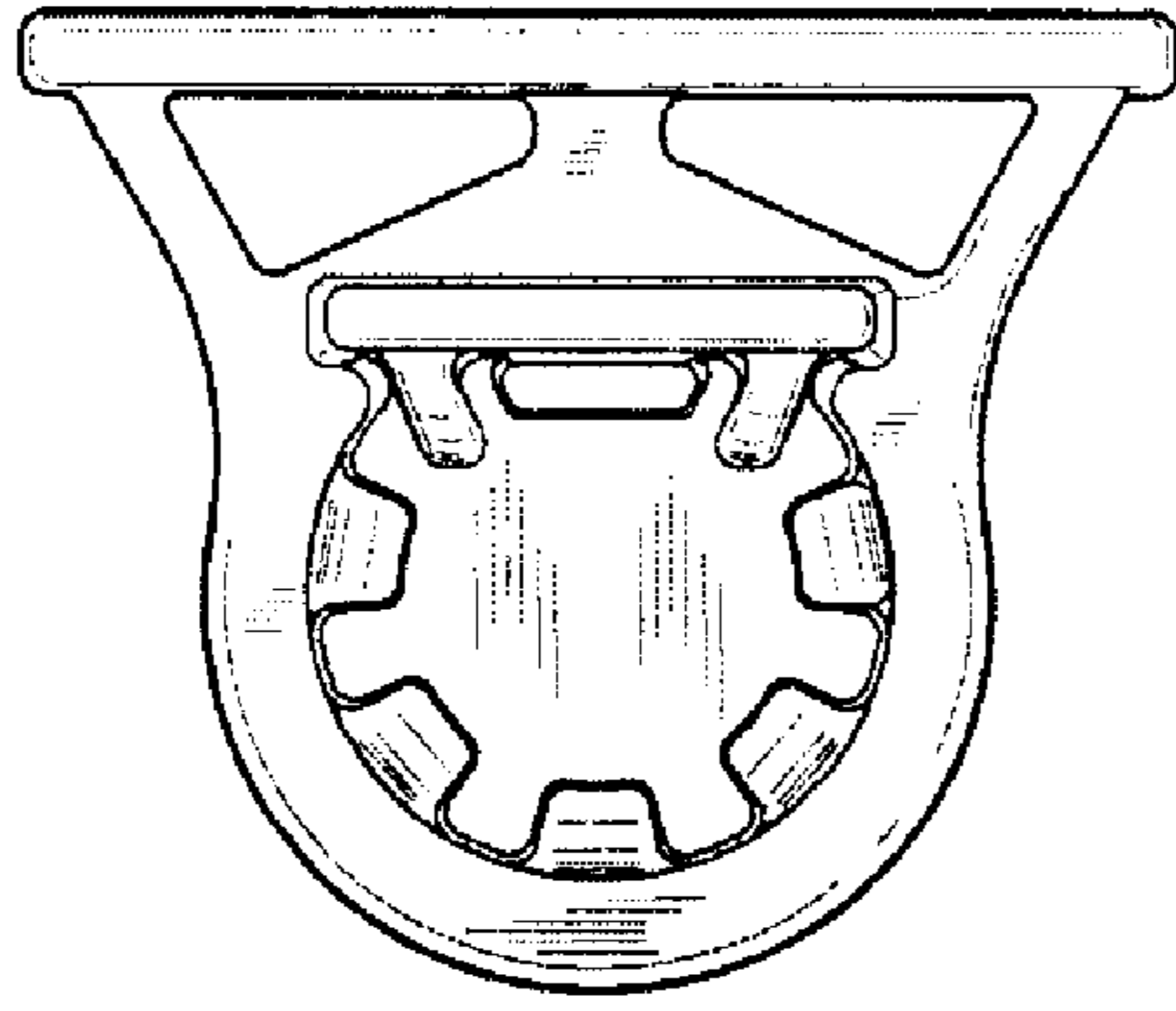
**FIG. 3**



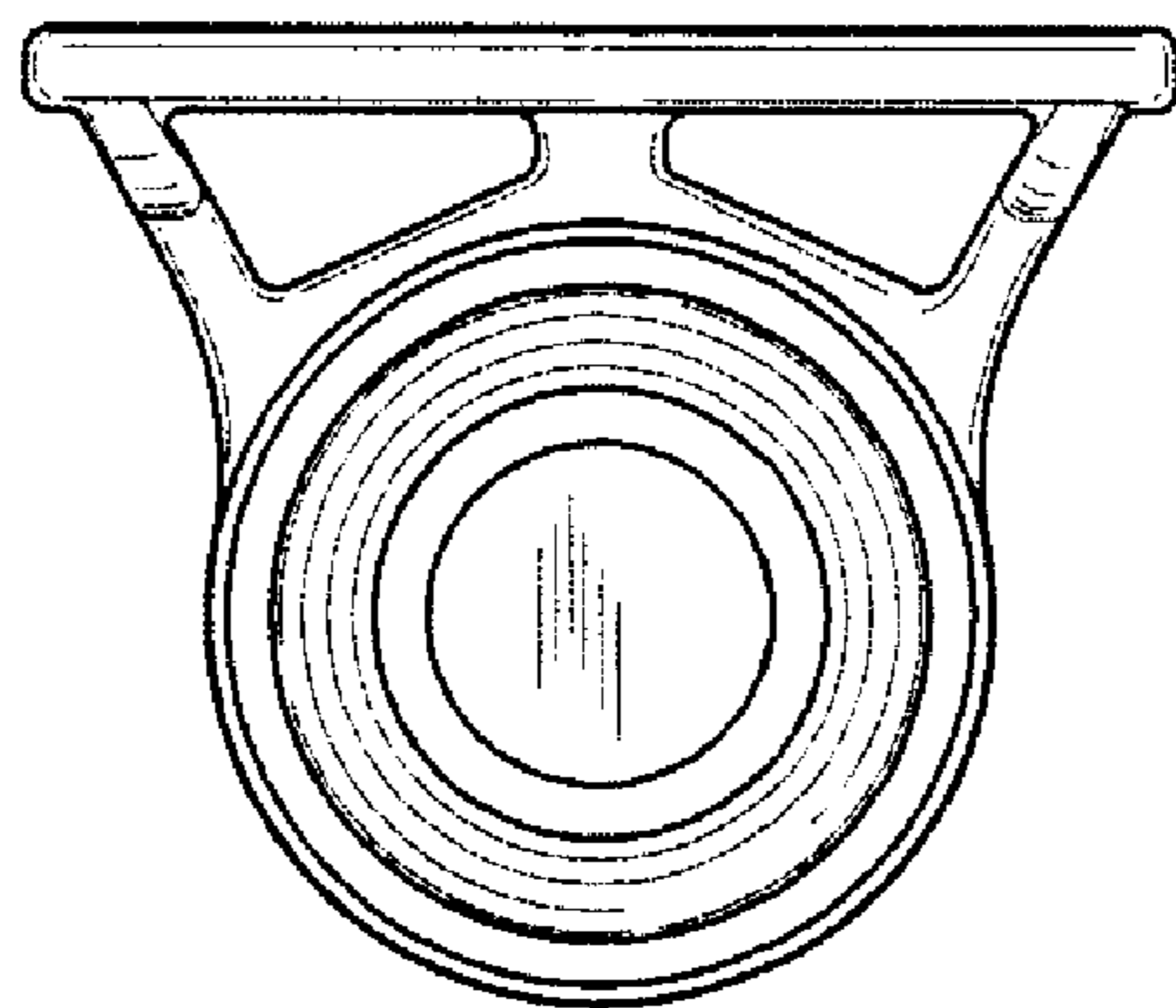
**FIG. 4**



**FIG. 5**

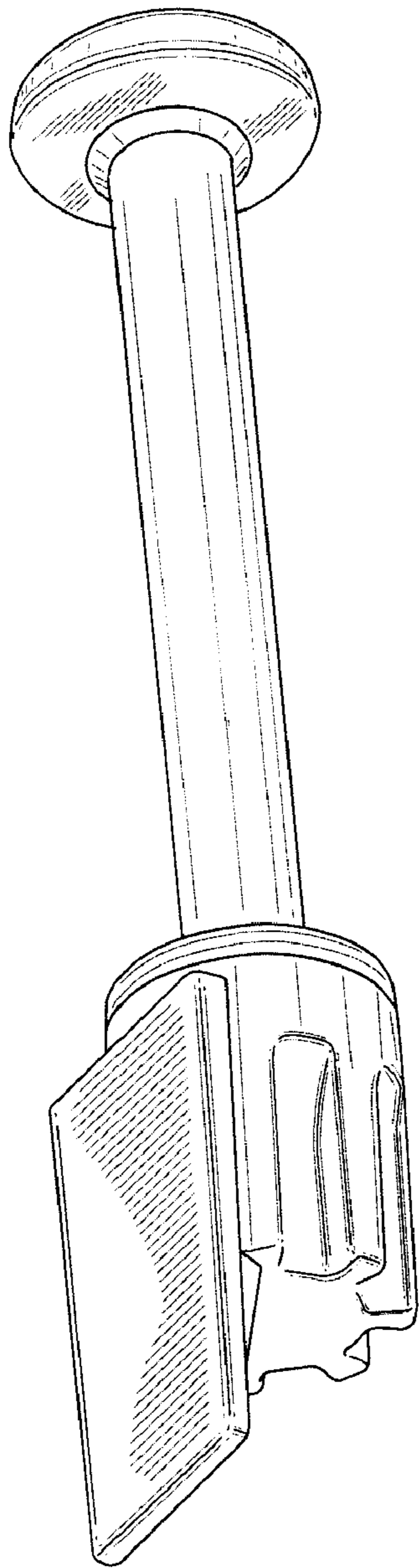


**FIG. 7**

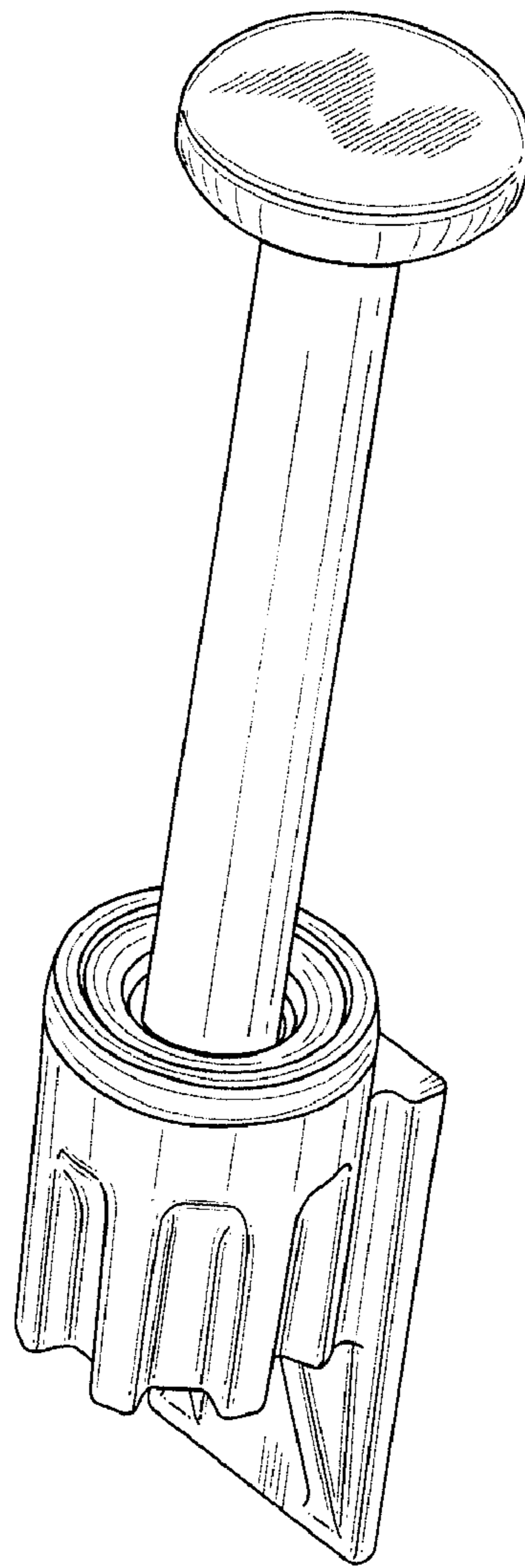


**FIG. 6**

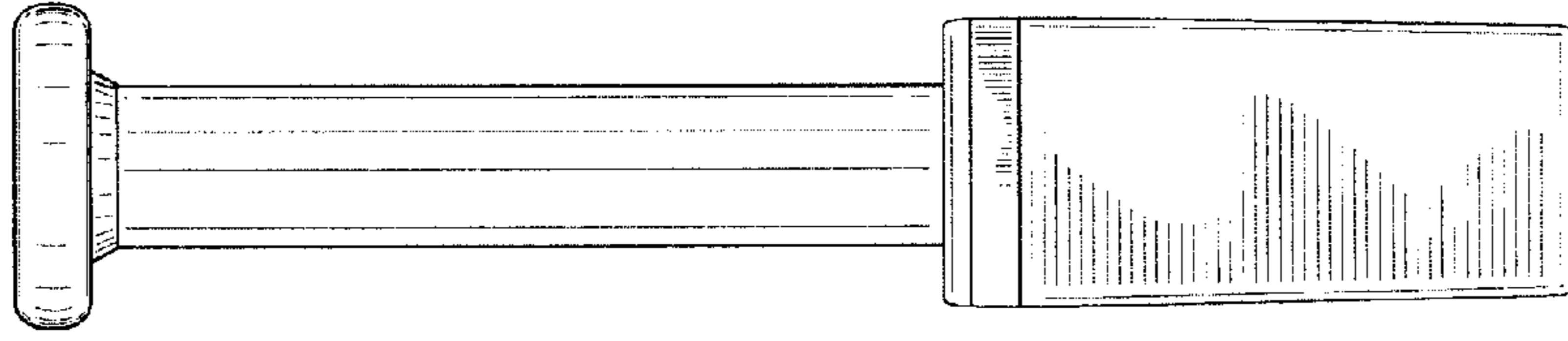




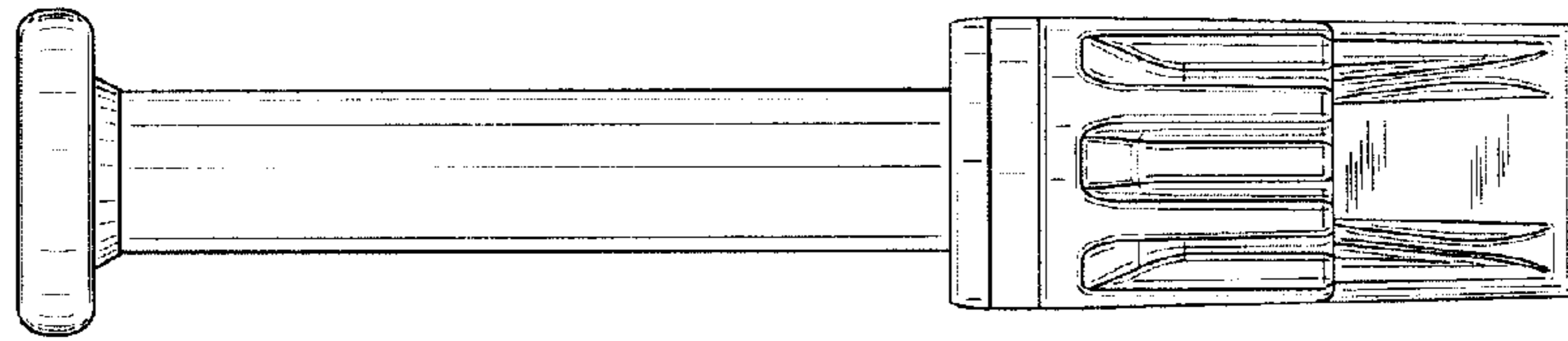
**FIG. 8**



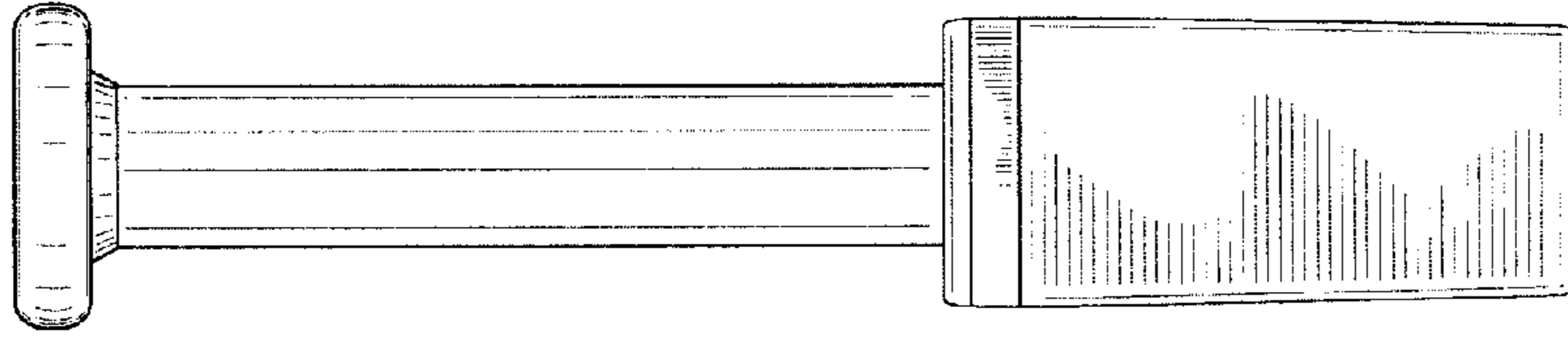
**FIG. 9**



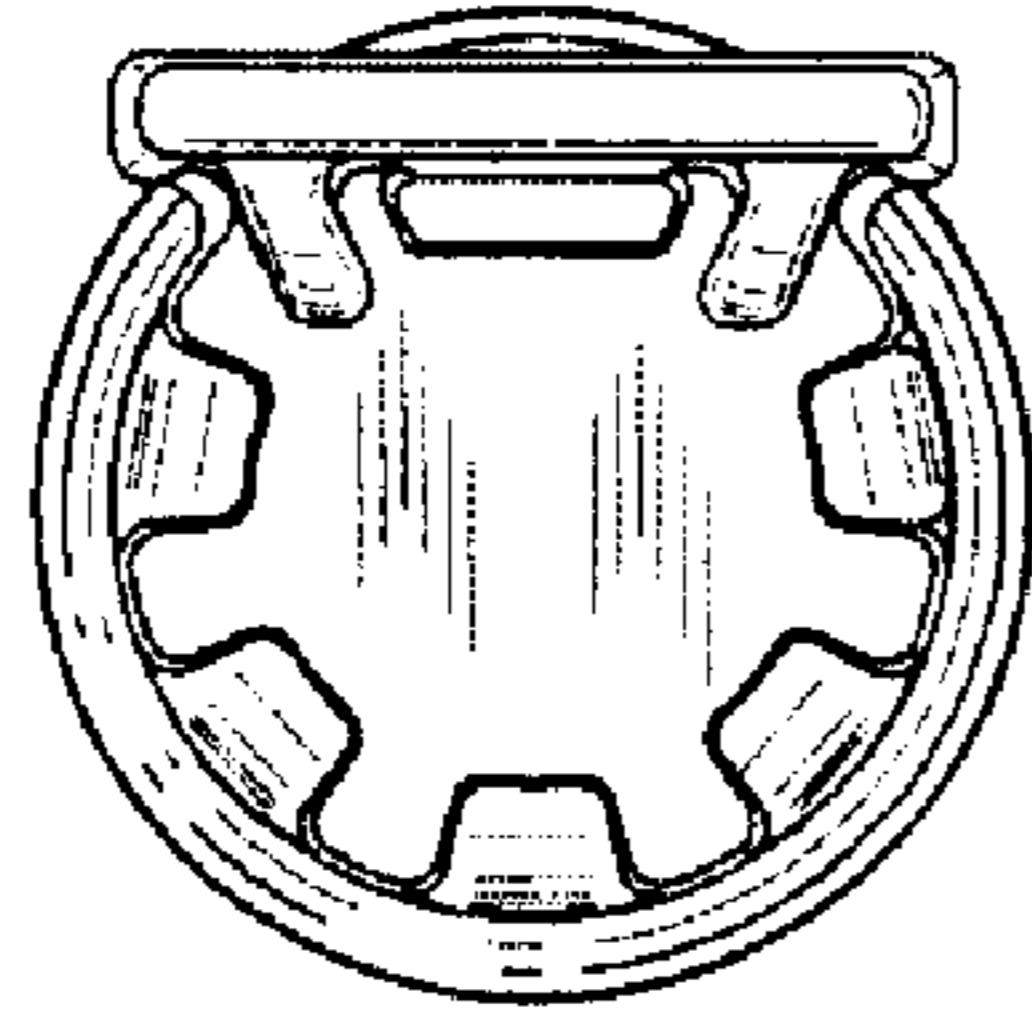
**FIG. 10**



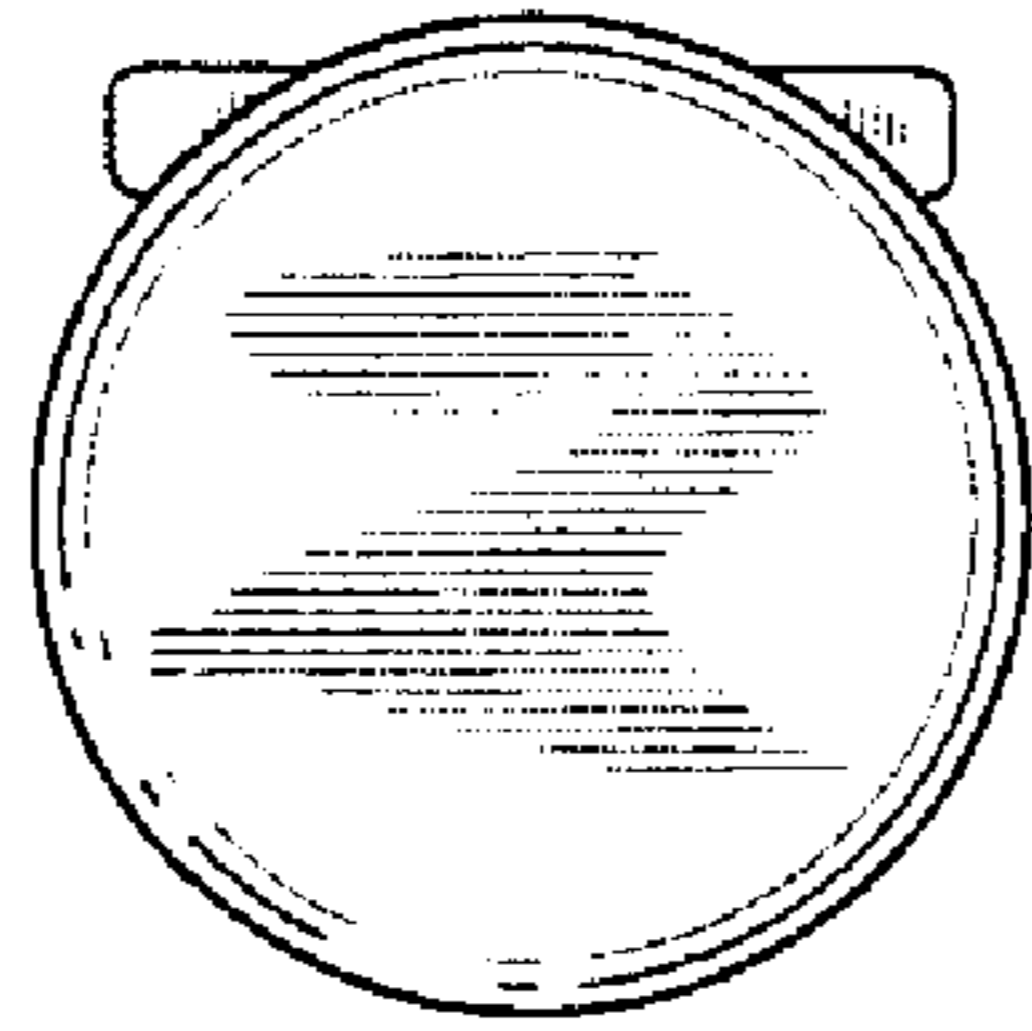
**FIG. 11**



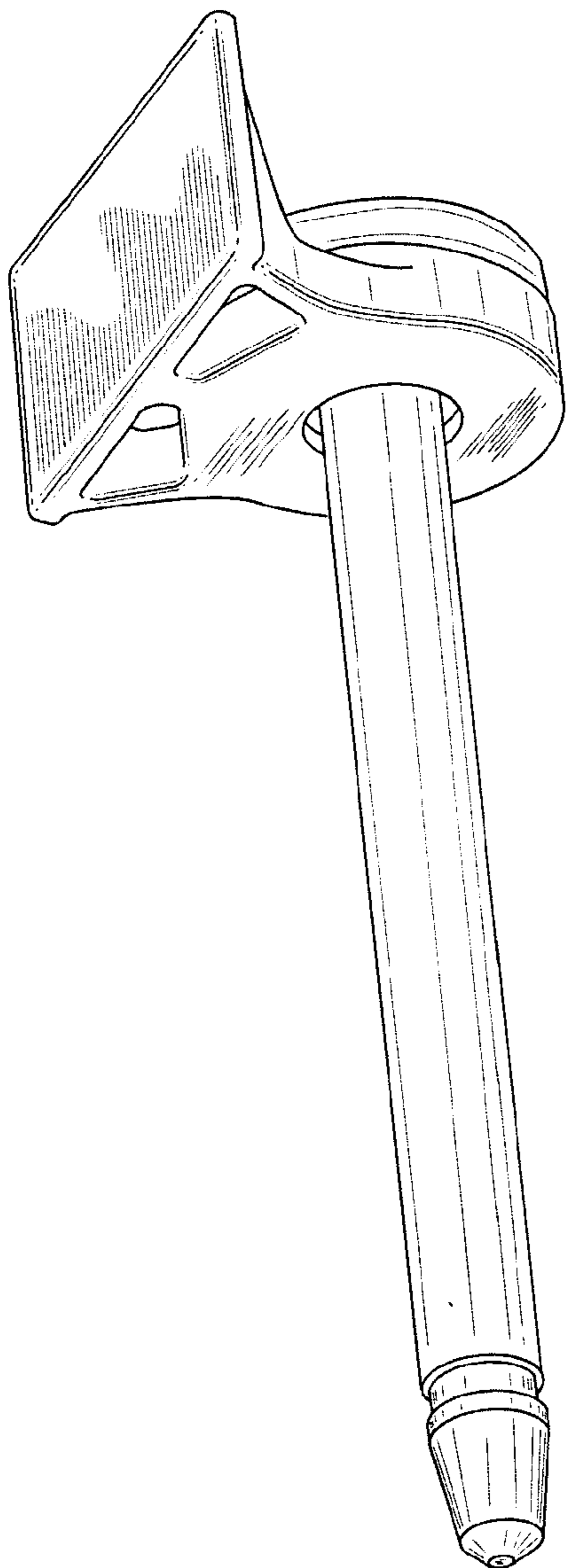
**FIG. 12**



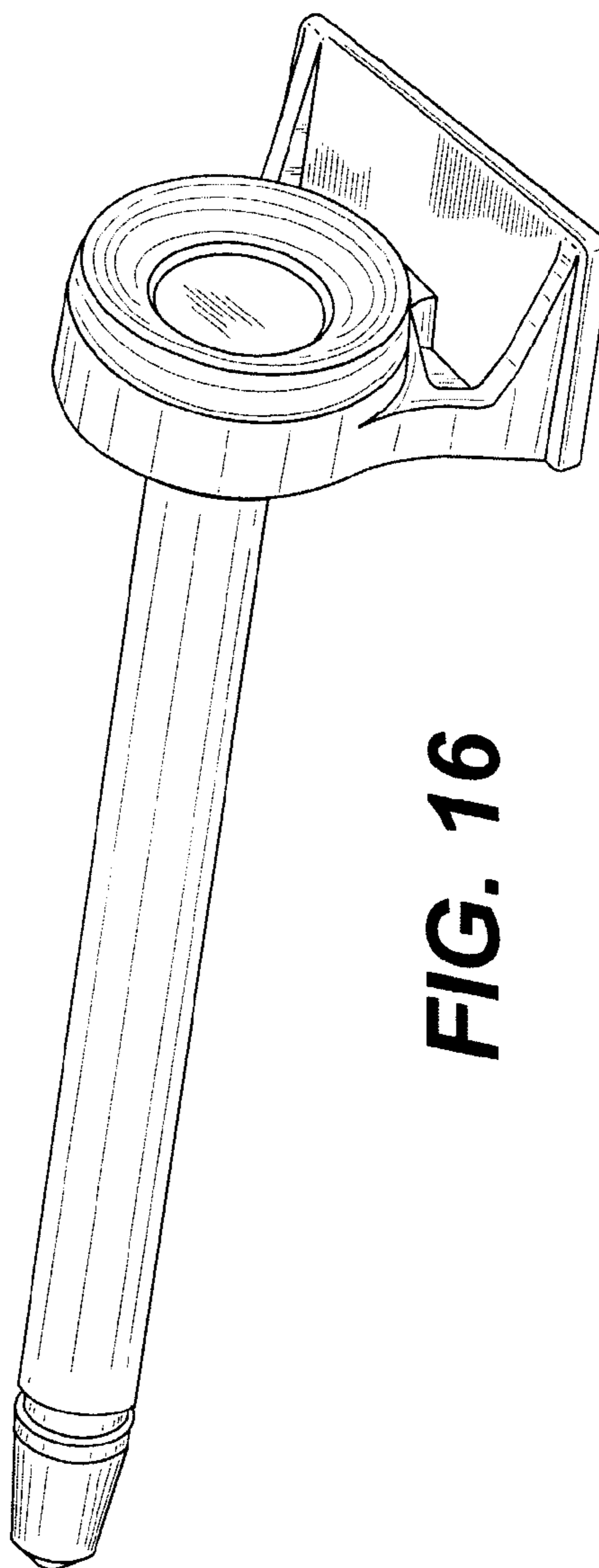
**FIG. 13**



**FIG. 14**

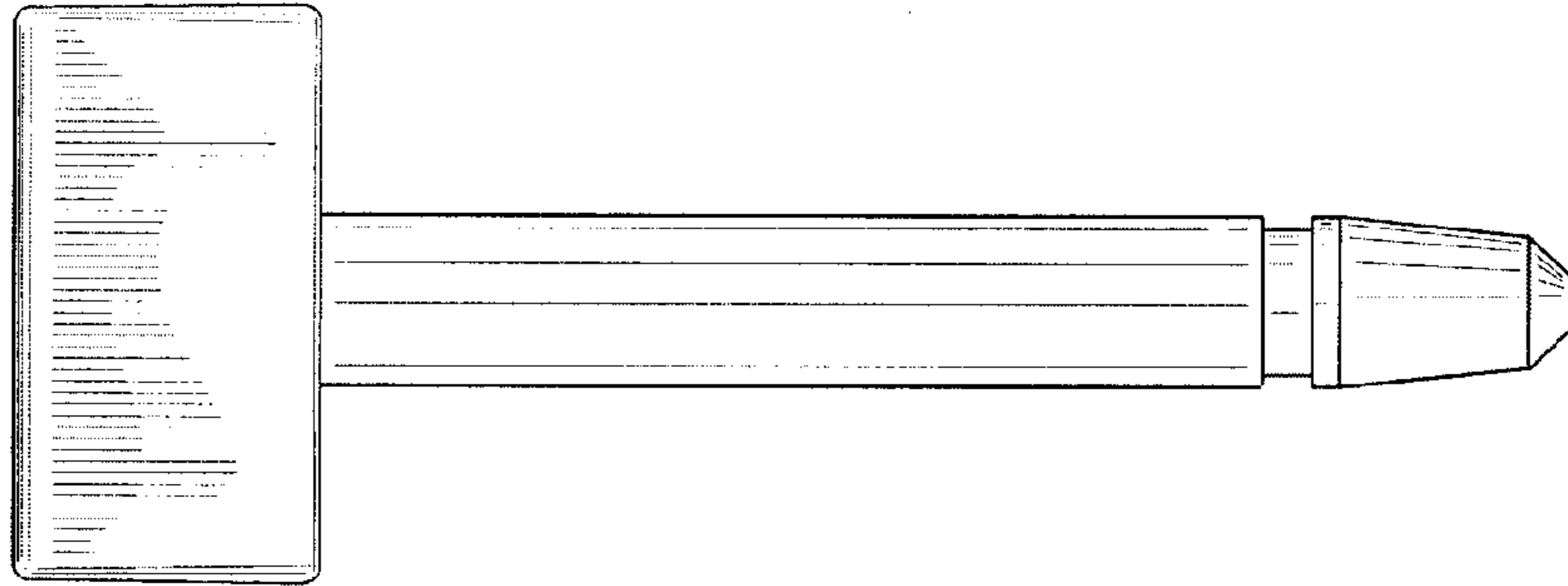


**FIG. 15**

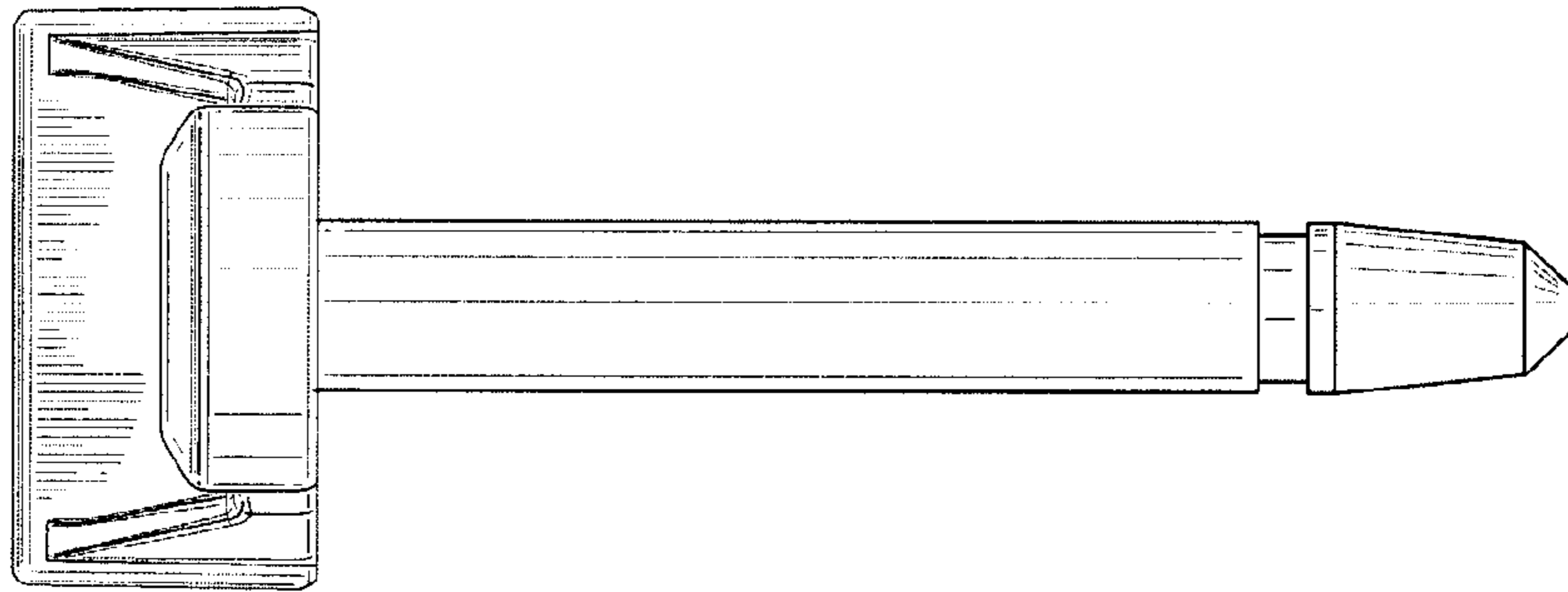


**FIG. 16**

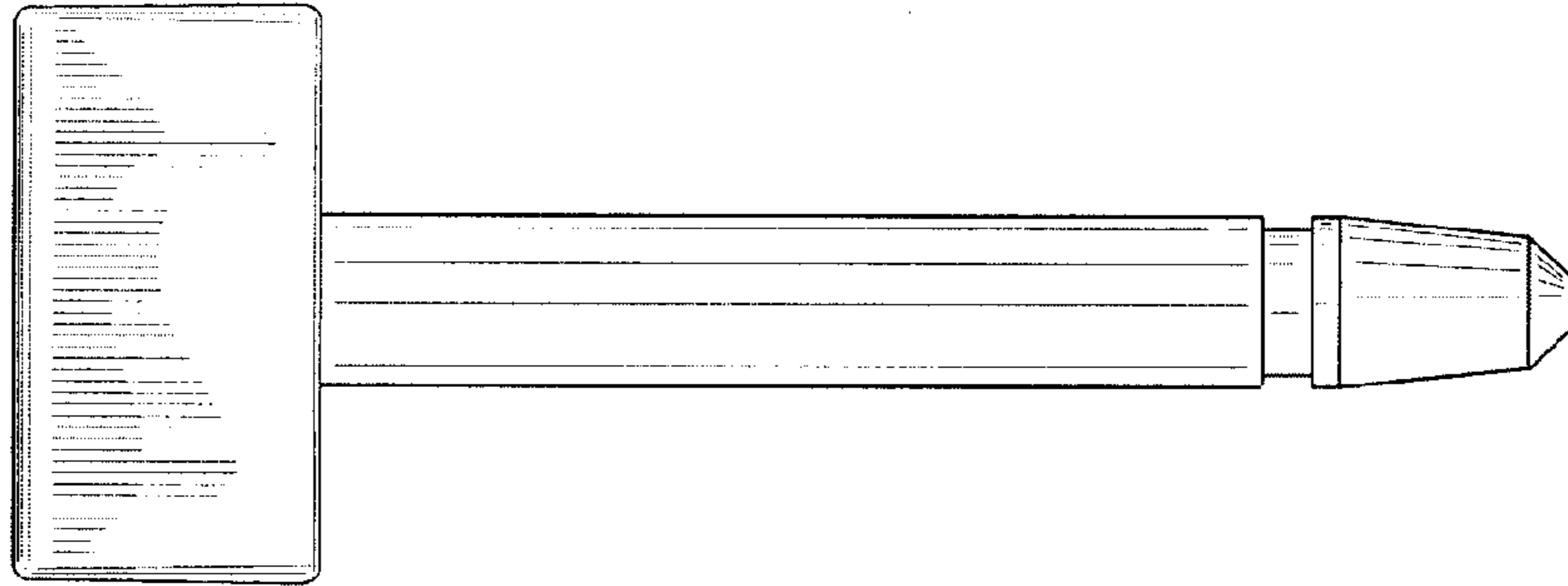




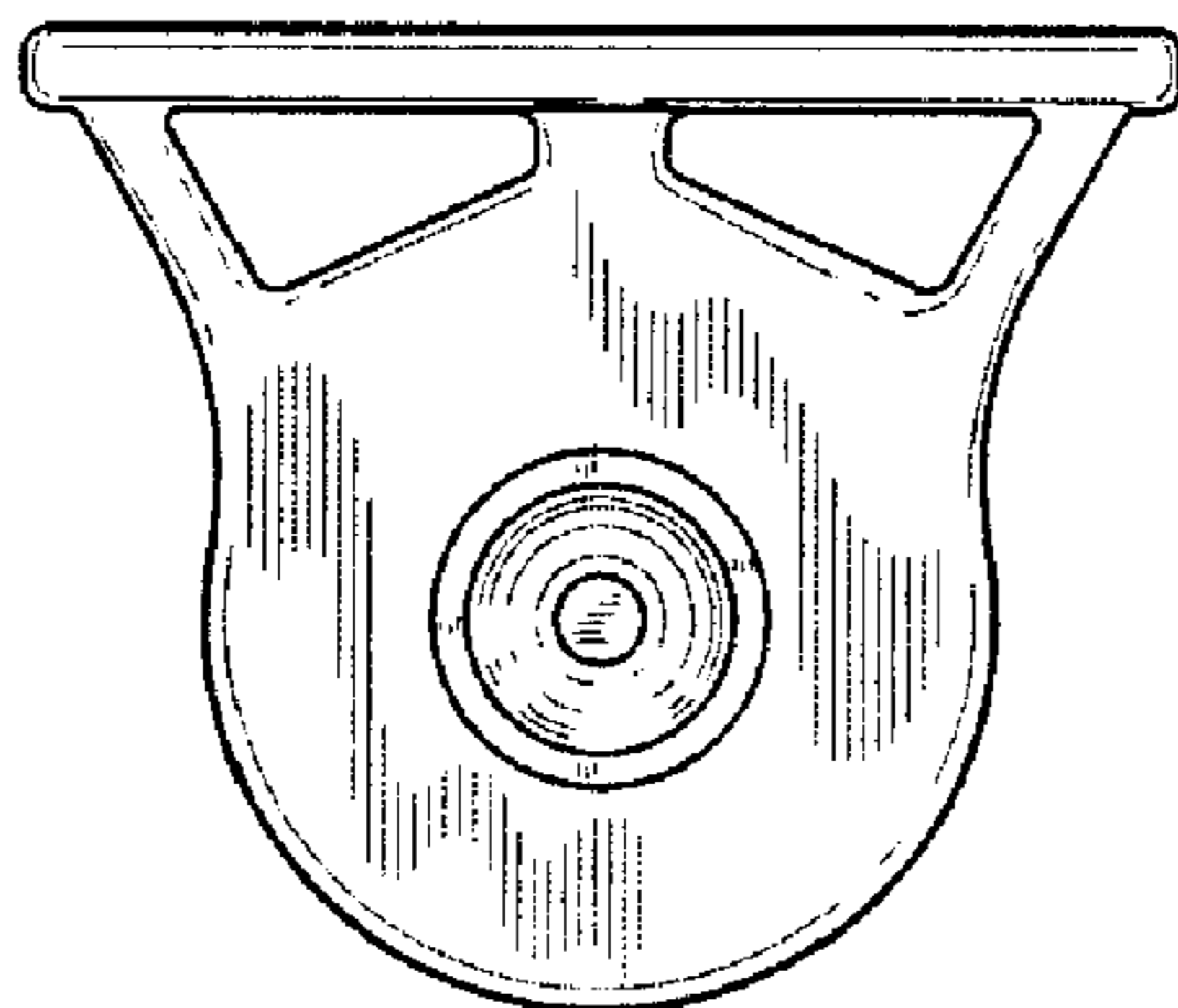
**FIG. 17**



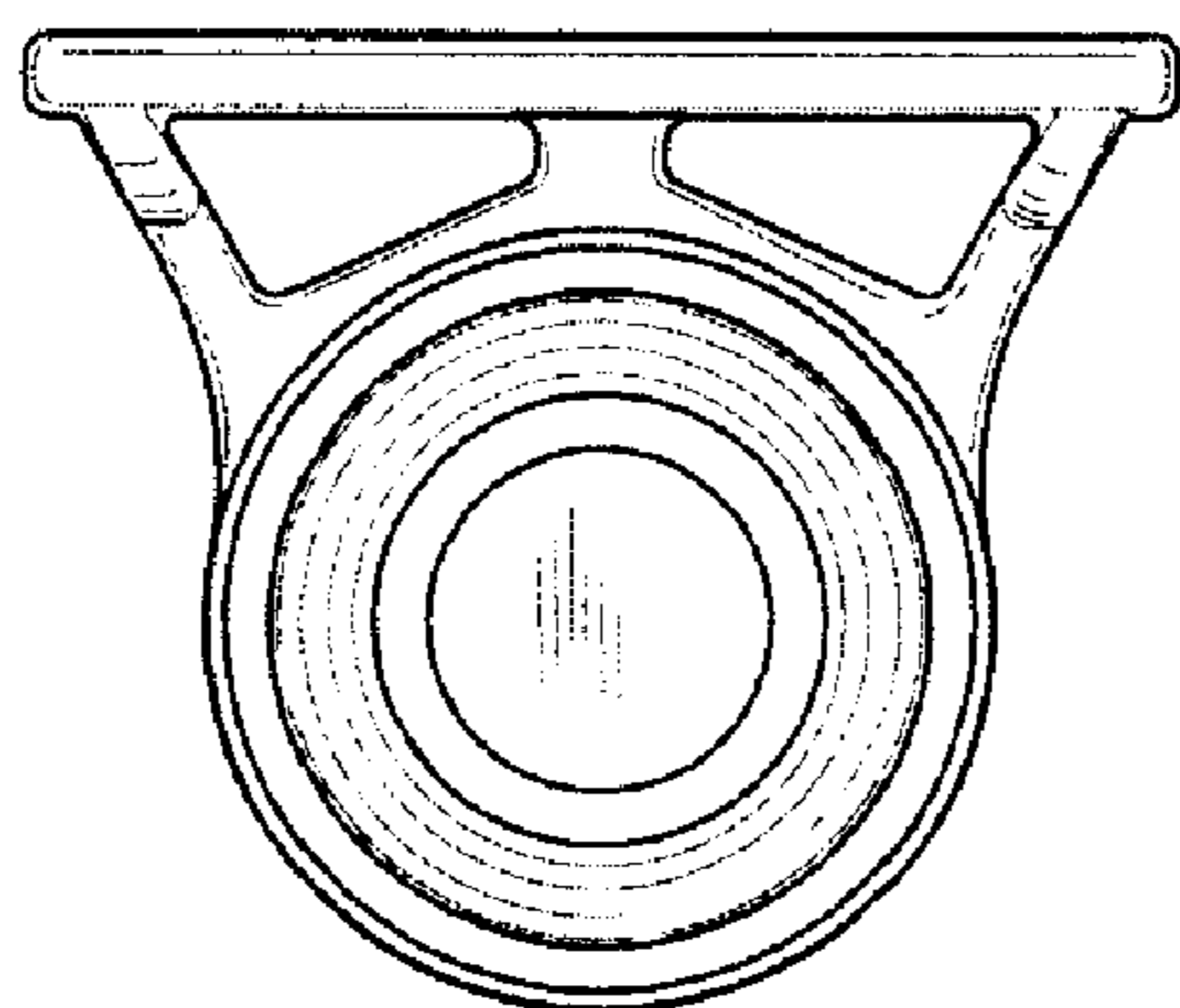
**FIG. 18**



**FIG. 19**



**FIG. 21**



**FIG. 20**

UNITED STATES PATENT AND TRADEMARK OFFICE  
**CERTIFICATE OF CORRECTION**

PATENT NO. : Des. 563,765 S  
APPLICATION NO. : 29/259169  
DATED : March 11, 2008  
INVENTOR(S) : Paul A. Littrell, Wanda K. Beard and David L. Gilbert

Page 1 of 1

It is certified that error appears in the above-identified patent and that said Letters Patent is hereby corrected as shown below:

Description:

FIG.'s 8-21 were cancelled by Examiners Amendment.

Signed and Sealed this

Twenty-fourth Day of March, 2009



JOHN DOLL

*Acting Director of the United States Patent and Trademark Office*