



US00D563764S

(12) **United States Design Patent**
Hacker

(10) **Patent No.:** **US D563,764 S**

(45) **Date of Patent:** **** Mar. 11, 2008**

(54) **DEADBOLT BUTTON**

(75) Inventor: **Dean D. Hacker**, Oak Creek, WI (US)

(73) Assignee: **Master Lock Company LLC**, Oak Creek, WI (US)

(**) Term: **14 Years**

(21) Appl. No.: **29/253,531**

(22) Filed: **Feb. 8, 2006**

(51) **LOC (8) Cl.** **08-07**

(52) **U.S. Cl.** **D8/331**

(58) **Field of Classification Search** D8/330-348;
70/277, 128, 124, 107, 292, 336.3, 360, 416,
70/210; 292/207, 150, 359

See application file for complete search history.

(56) **References Cited**

U.S. PATENT DOCUMENTS

5,072,976	A *	12/1991	Meszaros	292/207
5,087,090	A *	2/1992	Humphrey et al.	292/359
5,901,590	A *	5/1999	Lai	70/416
D433,920	S *	11/2000	Chang	D8/331

* cited by examiner

Primary Examiner—Mitchell Siegel

(74) *Attorney, Agent, or Firm*—Calfee, Halter & Griswold LLP

(57) **CLAIM**

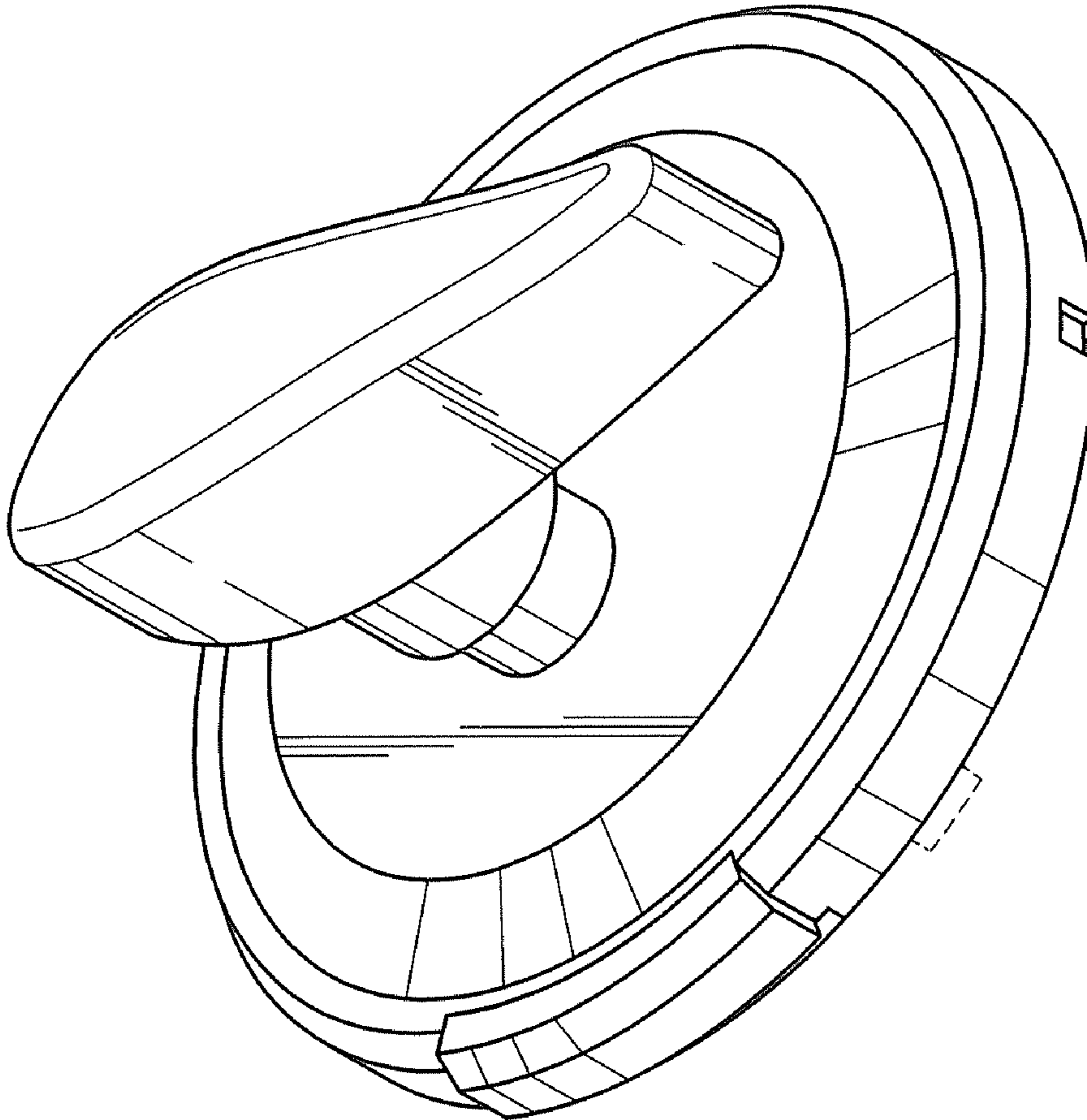
I claim an ornamental design for a deadbolt button, as shown and described.

DESCRIPTION

FIG. 1 is a perspective view of a button of the new design; FIG. 2 is a front side view of the button of FIG. 1; FIG. 3 is a rear side view of the button of FIG. 1; FIG. 4 is a top view of the button of FIG. 1; FIG. 5 is a bottom view of the button of FIG. 1; FIG. 6 is a left side view of the button of FIG. 1; and, FIG. 7 is a right side view of the button of FIG. 1.

The portions of the Figures shown in phantom lines, or any text, graphic direction arrows or axis symbols included in the Figures, are not part of the claimed design but are shown for illustration only.

1 Claim, 4 Drawing Sheets



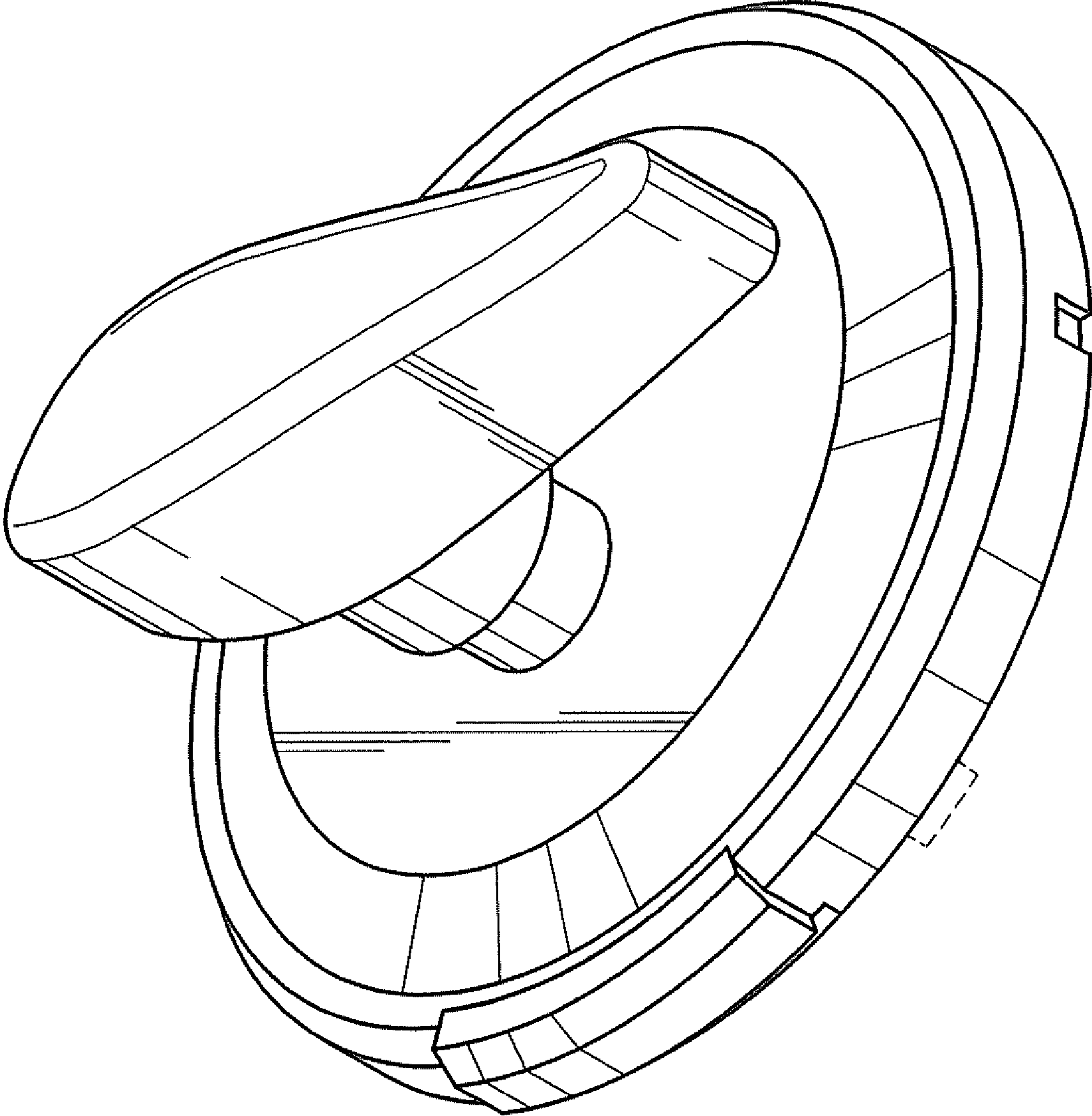


FIG. 1

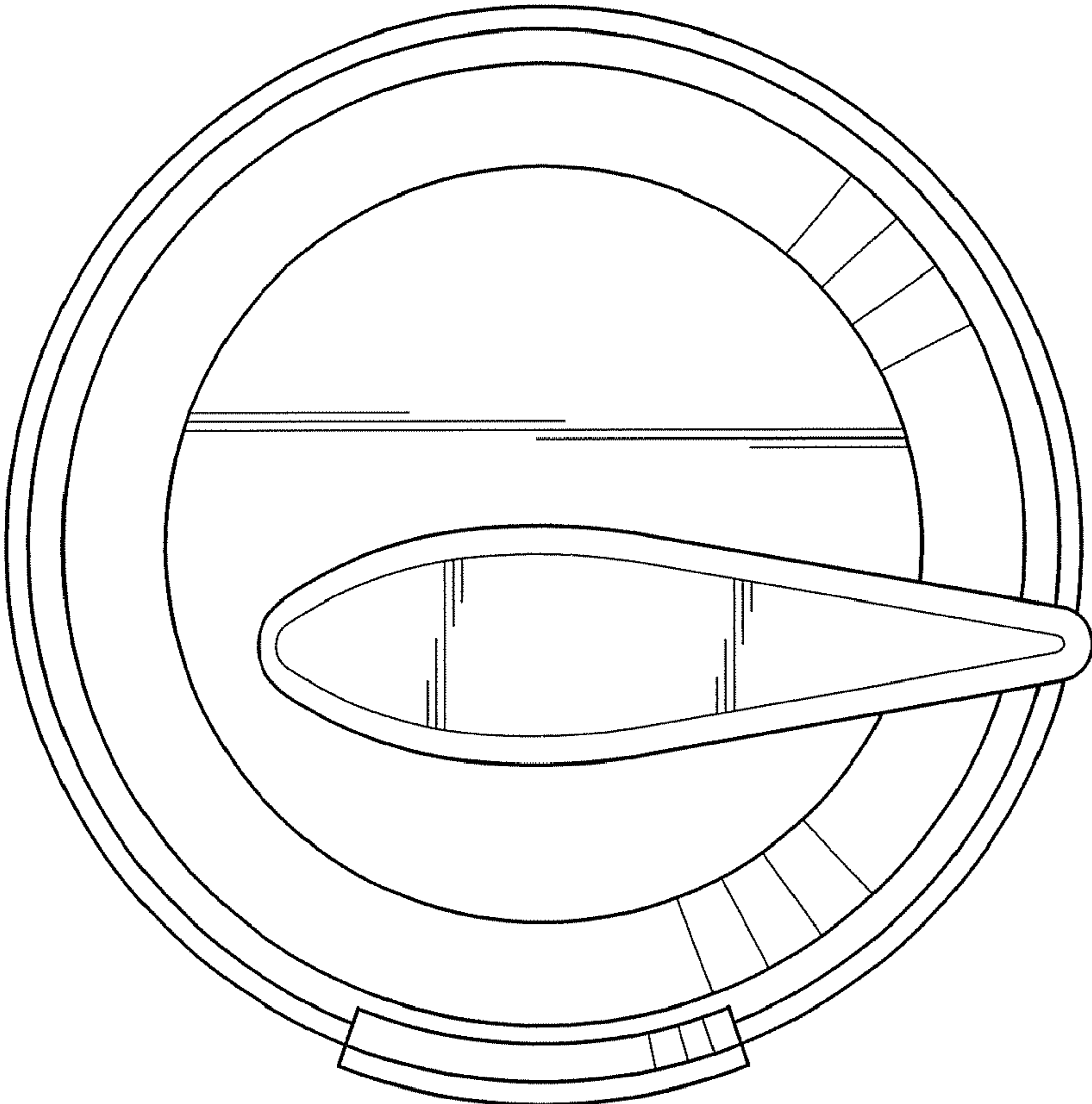
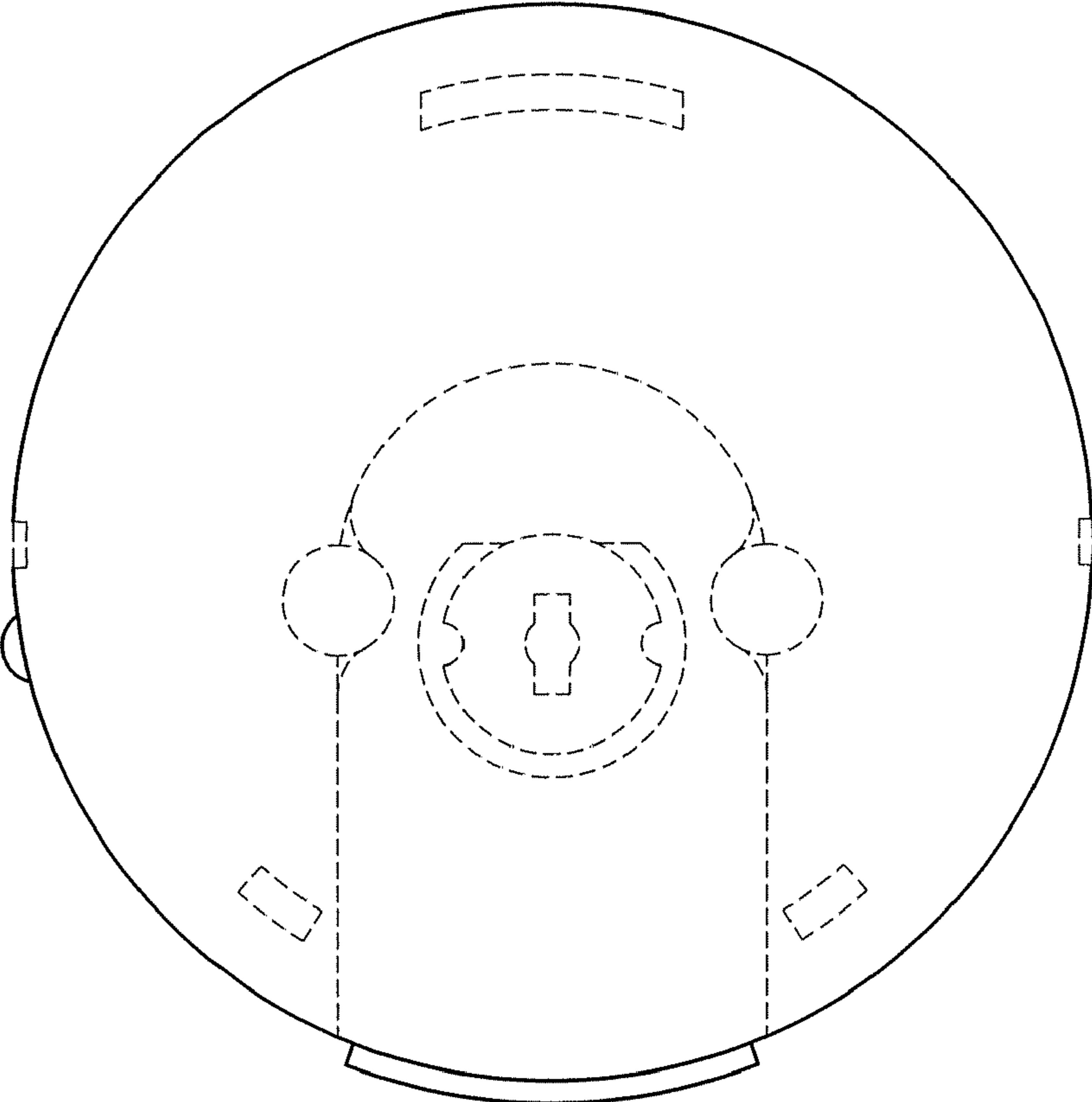


FIG. 2

FIG. 3



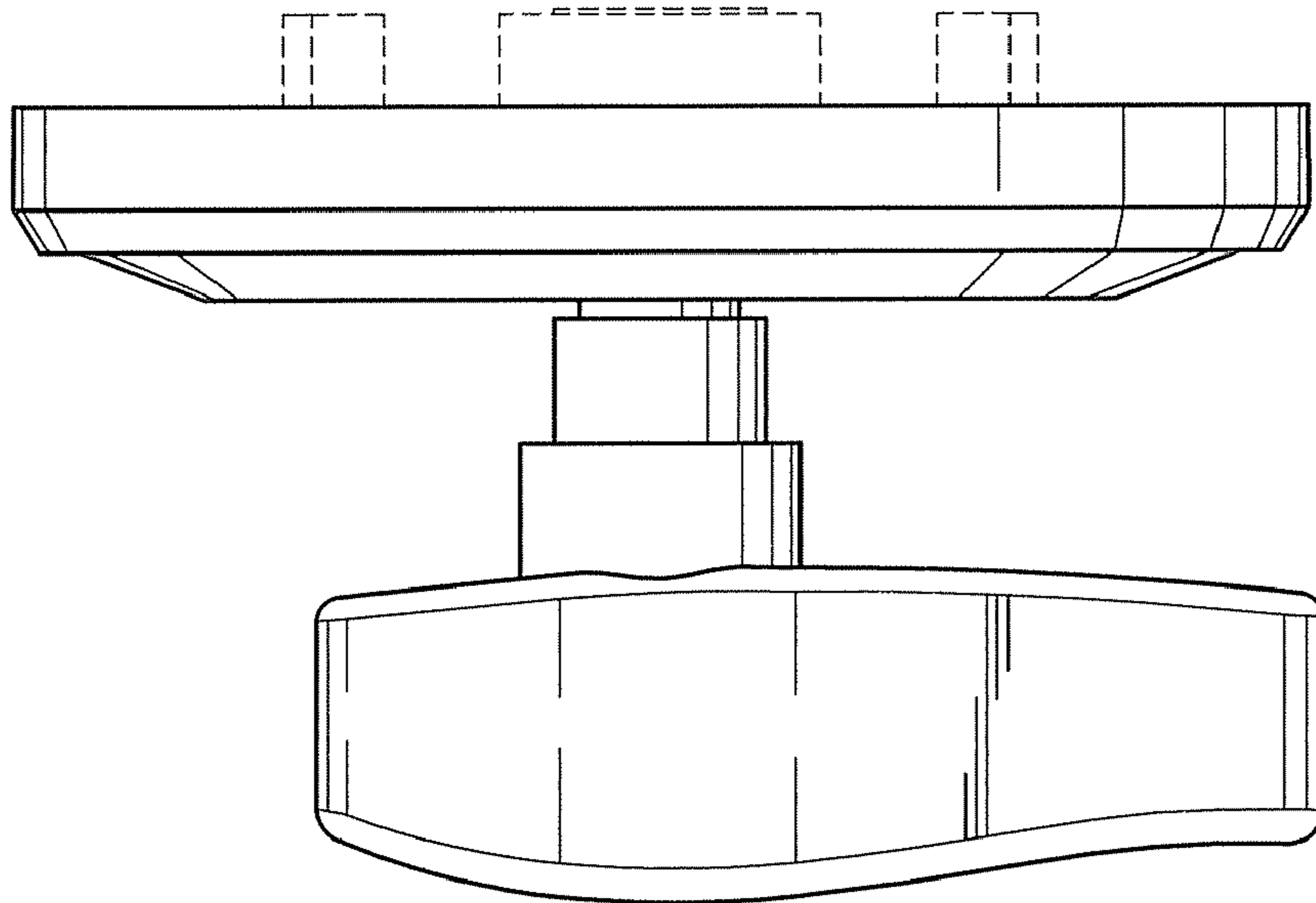
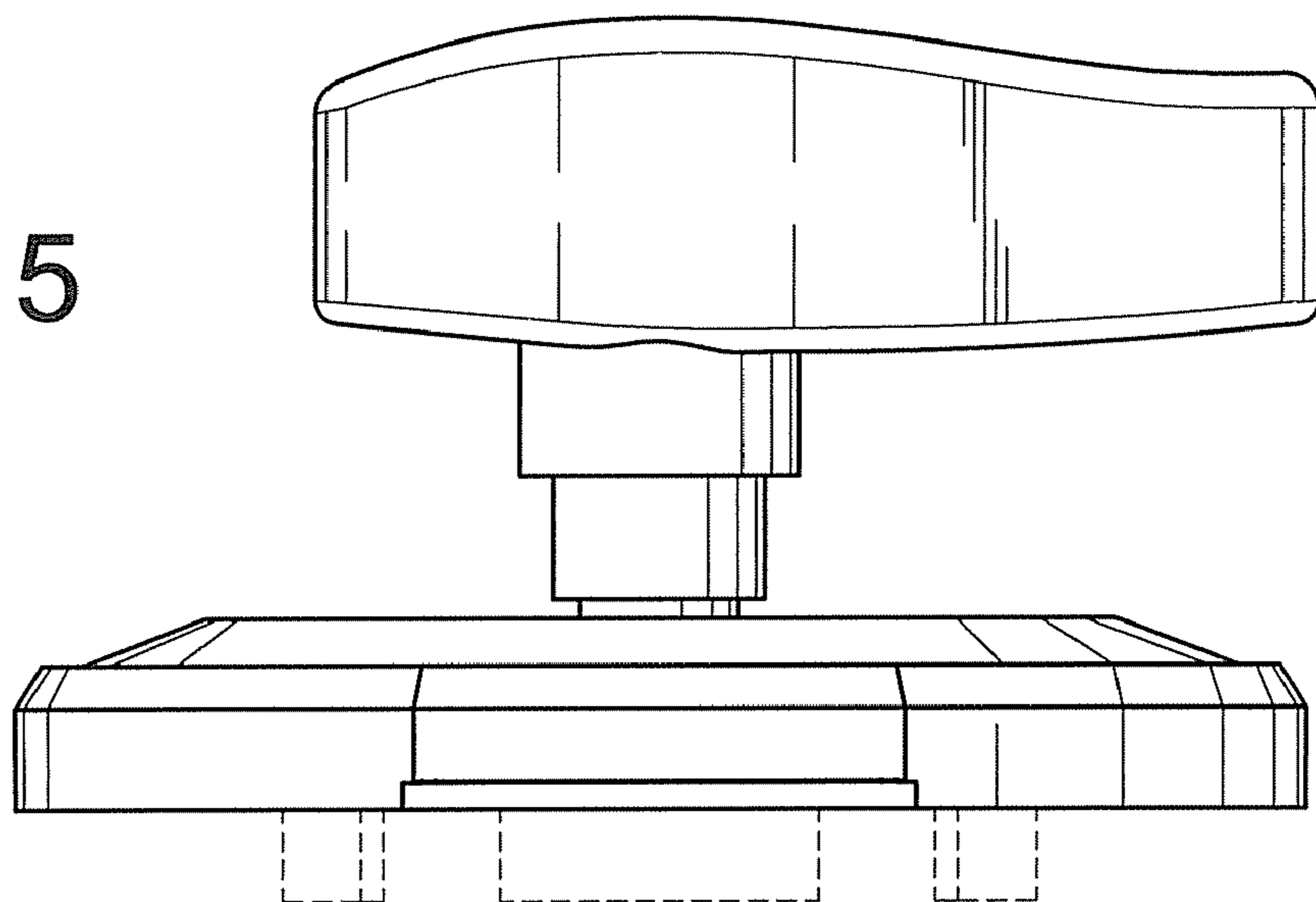


FIG. 4

FIG. 5



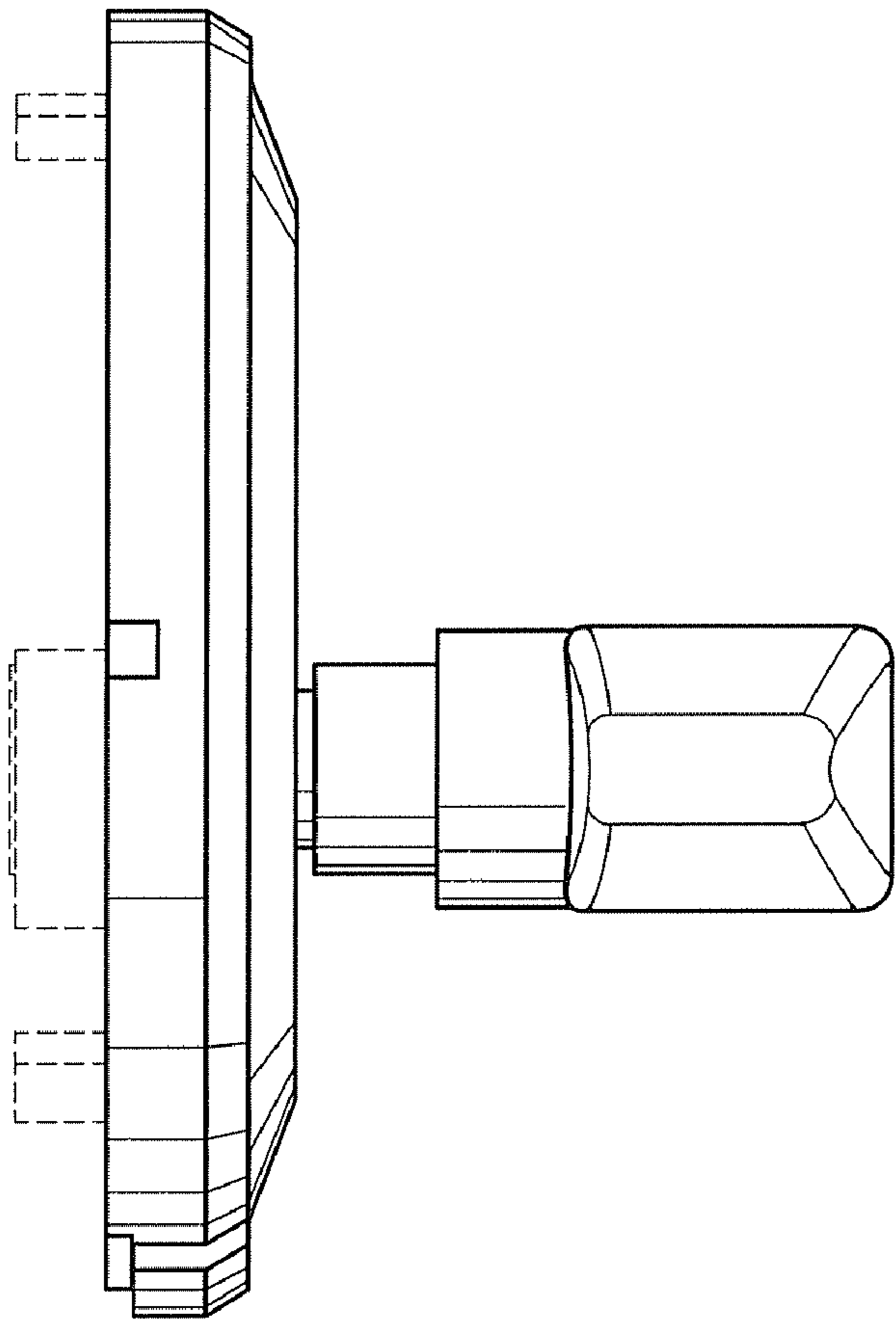


FIG. 6

FIG. 7

