



US00D563763S

(12) **United States Design Patent**
Kelly

(10) **Patent No.:** **US D563,763 S**

(45) **Date of Patent:** **** Mar. 11, 2008**

(54) **PULL HANDLE**

(75) Inventor: **Peter Kelly**, Pointe Claire (CA)

(73) Assignee: **Ideal Security Inc.**, LaSalle, Quebec (CA)

(**) Term: **14 Years**

(21) Appl. No.: **29/272,344**

(22) Filed: **Feb. 7, 2007**

(51) **LOC (8) Cl.** **08-06**

(52) **U.S. Cl.** **D8/319; D8/300**

(58) **Field of Classification Search** D8/300-303, D8/305, 307, 308, 310-312, 315-321, DIG. 1, D8/DIG. 2; D7/393, 394, 405, 318; D3/318; D23/303, 305; D6/524, 533, 549, 550; D15/89; 292/347, 336.3; 16/441, 118, 110 R, 111 R, 16/DIG. 19, DIG. 30, DIG. 5, 110.1, 402, 16/412, 414-420, 443-446; 211/16, 182; 220/752-754, 912

See application file for complete search history.

(56) **References Cited**

U.S. PATENT DOCUMENTS

D151,700 S * 11/1948 Lueneburg D7/393
D190,627 S * 6/1961 Miller D8/302
D315,486 S * 3/1991 Pierce D8/307

D349,838 S * 8/1994 Barton et al. D8/313
D443,195 S * 6/2001 Craft et al. D8/321

* cited by examiner

Primary Examiner—Stella M. Reid

Assistant Examiner—Mark Goodwin

(74) *Attorney, Agent, or Firm*—Ogilvy Renault LLP

(57) **CLAIM**

The ornamental design for a pull handle, as shown and described.

DESCRIPTION

FIG. 1 is a perspective view of a pull handle showing my new design;

FIG. 2 is a rear elevational view thereof;

FIG. 3 is a top plan view thereof;

FIG. 4 is a bottom plan view thereof;

FIG. 5 is a right side elevation view thereof;

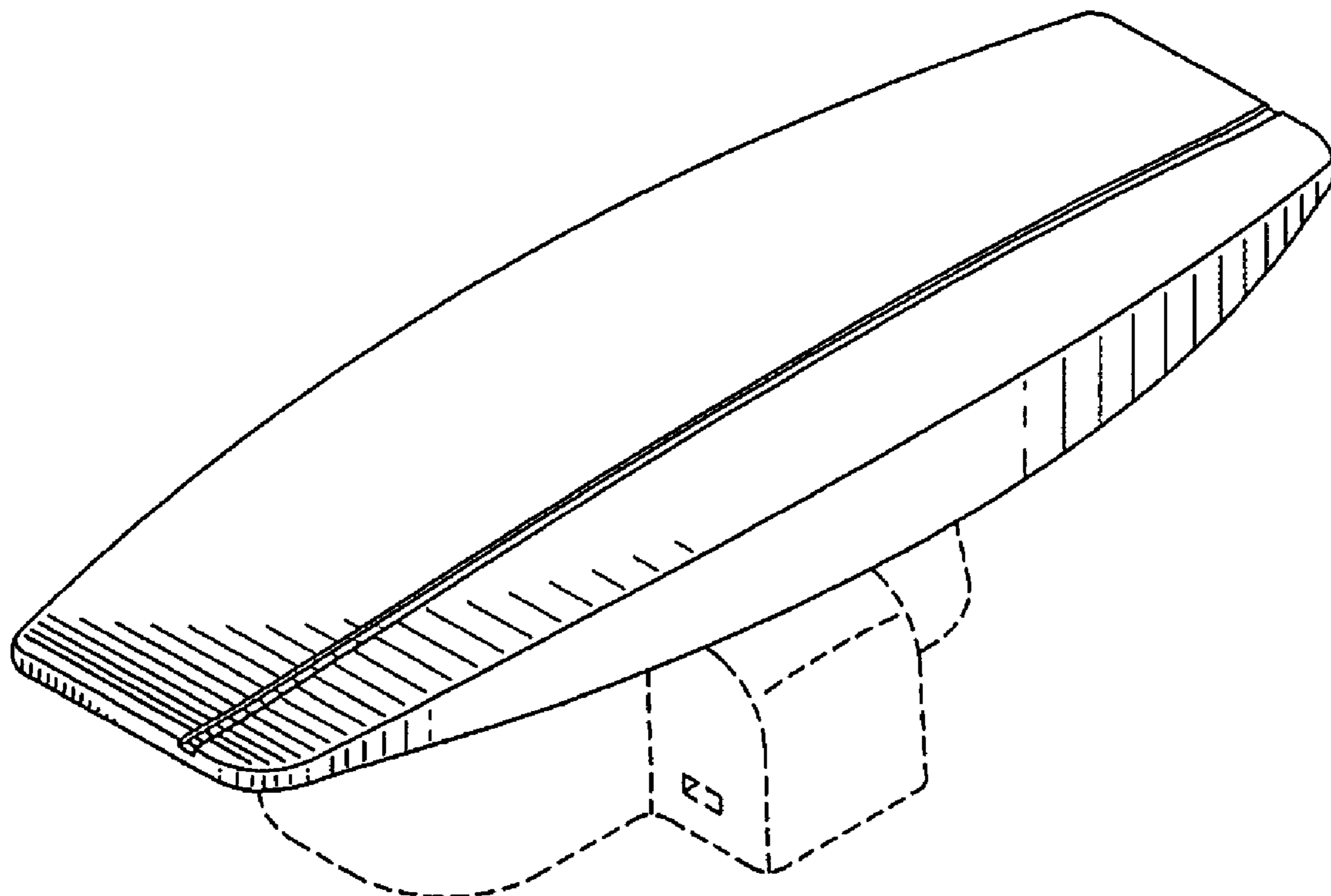
FIG. 6 is a left side elevation view thereof;

FIG. 7 is a front elevation view thereof; and,

FIG. 8 is a perspective view thereof, showing in dotted lines an environment thereof.

The parts shown in dotted lines form no part of the invention.

1 Claim, 5 Drawing Sheets



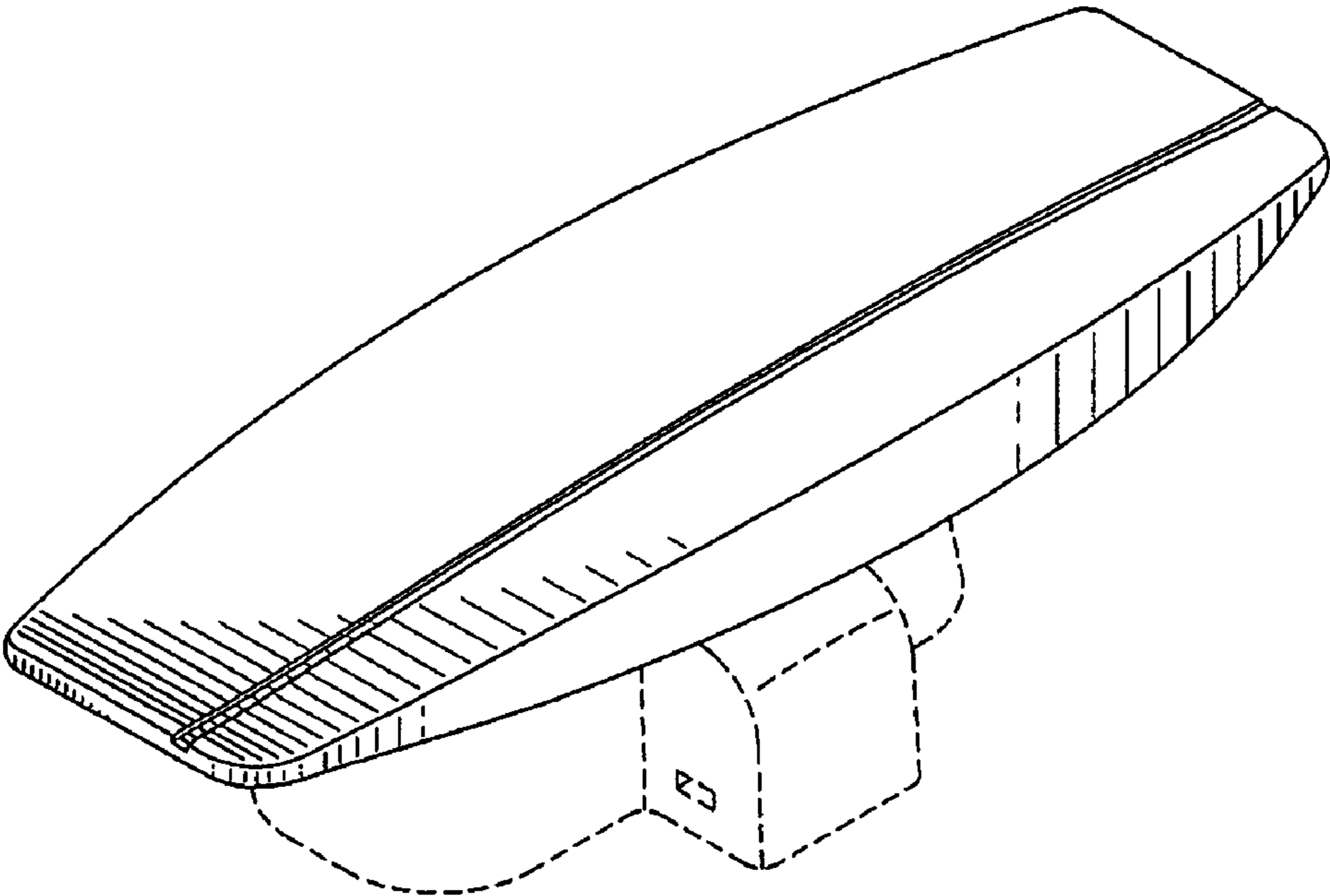


Fig-1

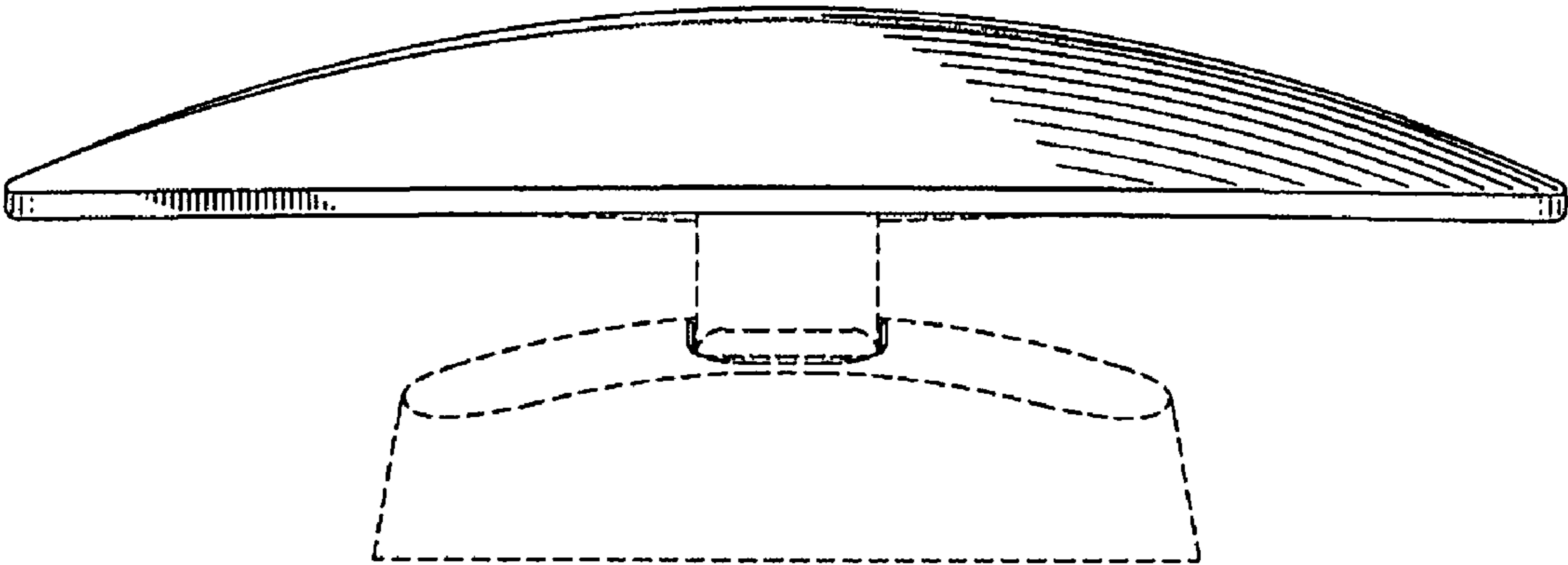


Fig-2

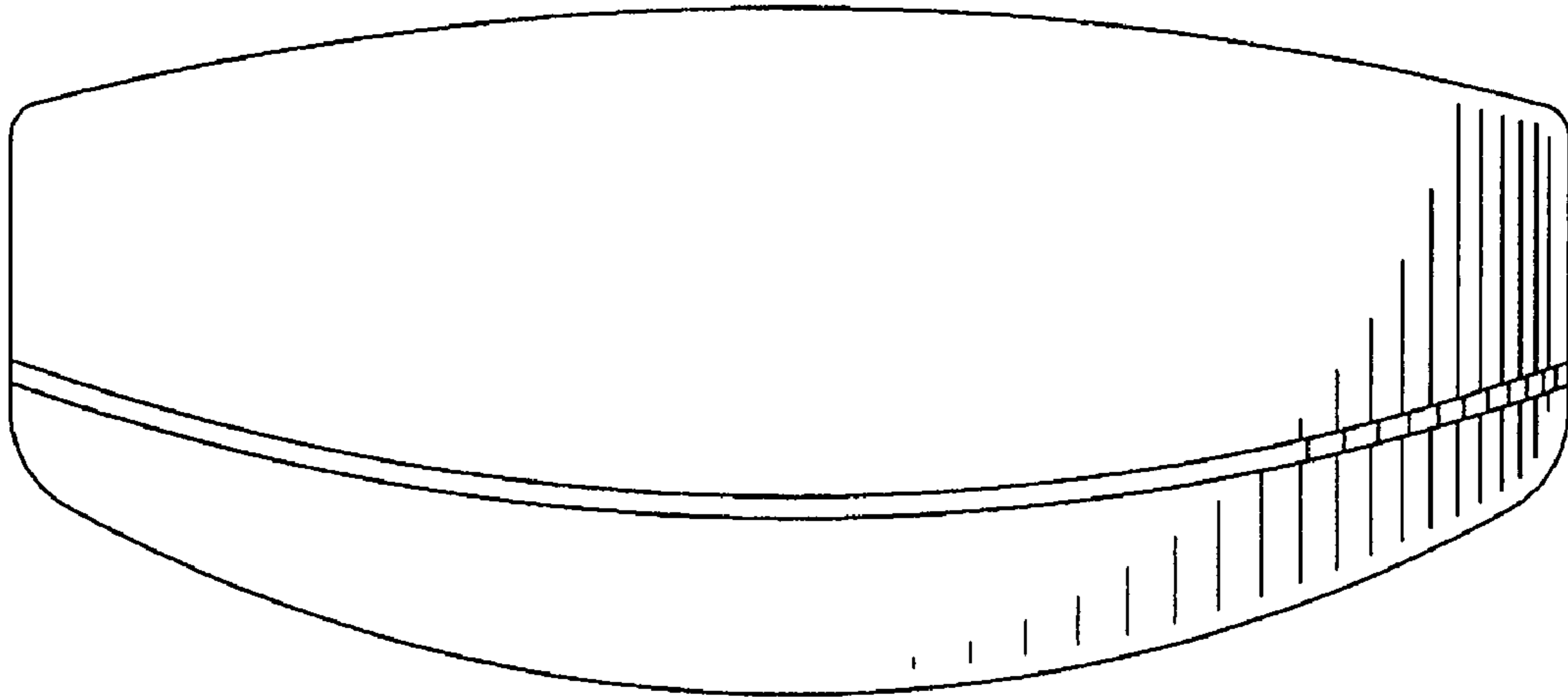


FIG-3

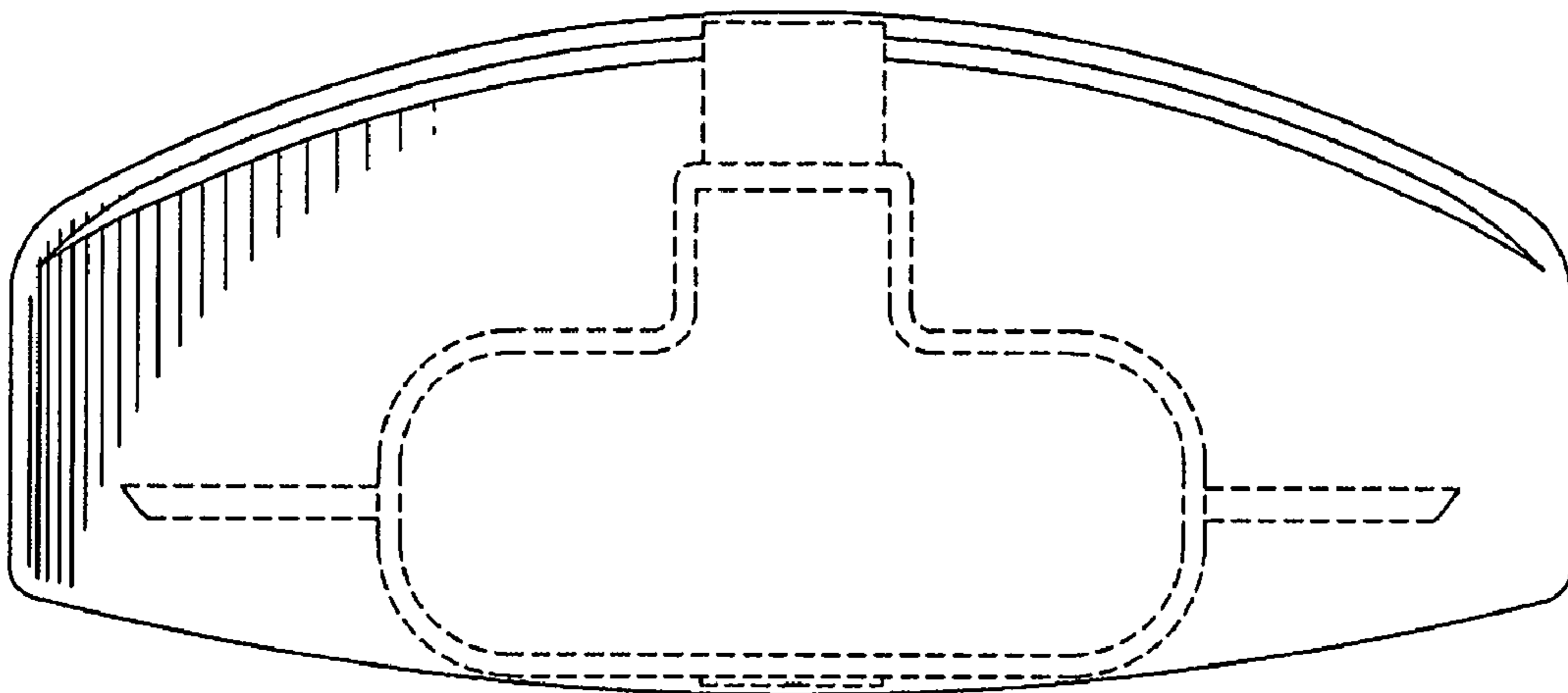


FIG-4

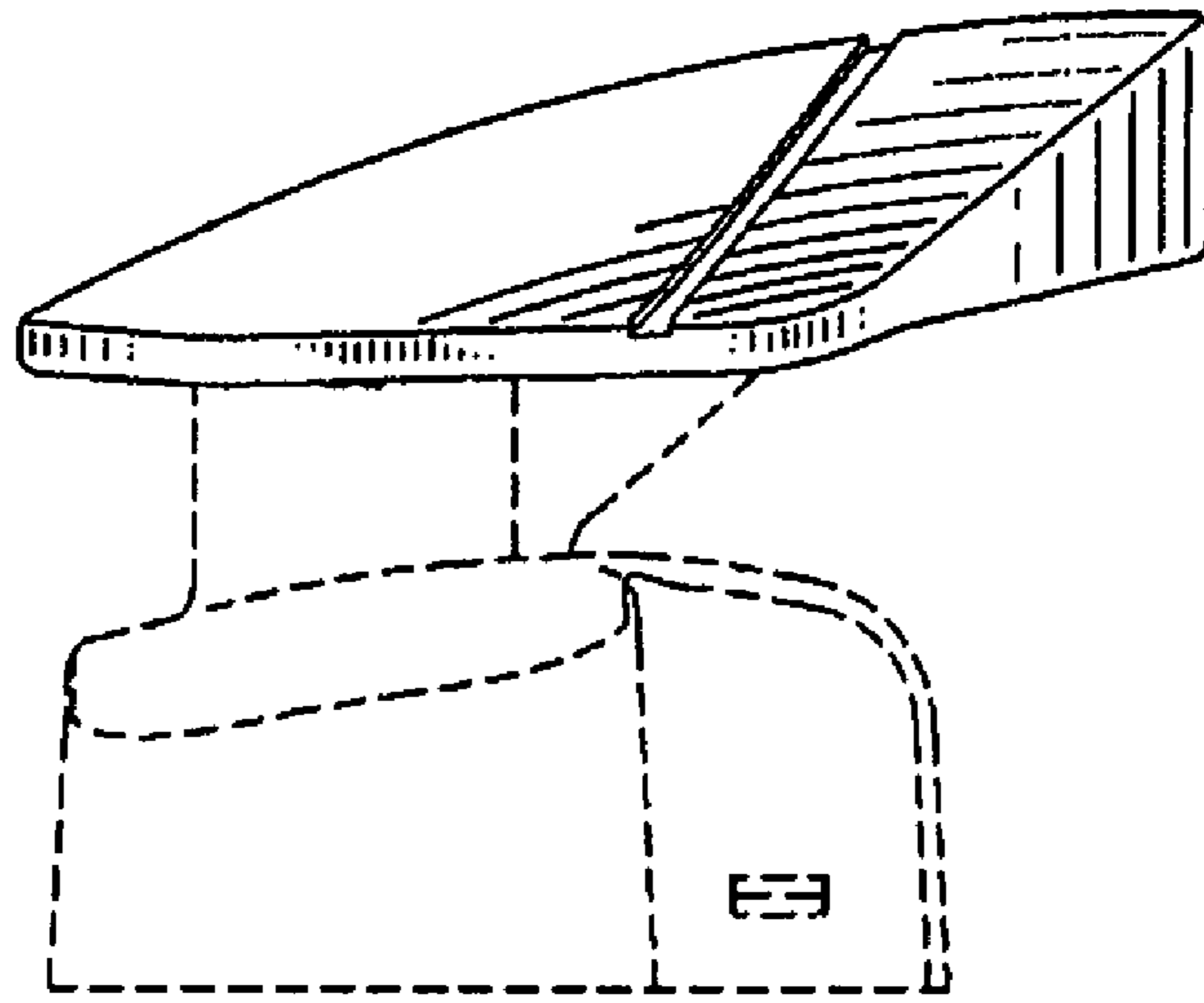


FIG. 5

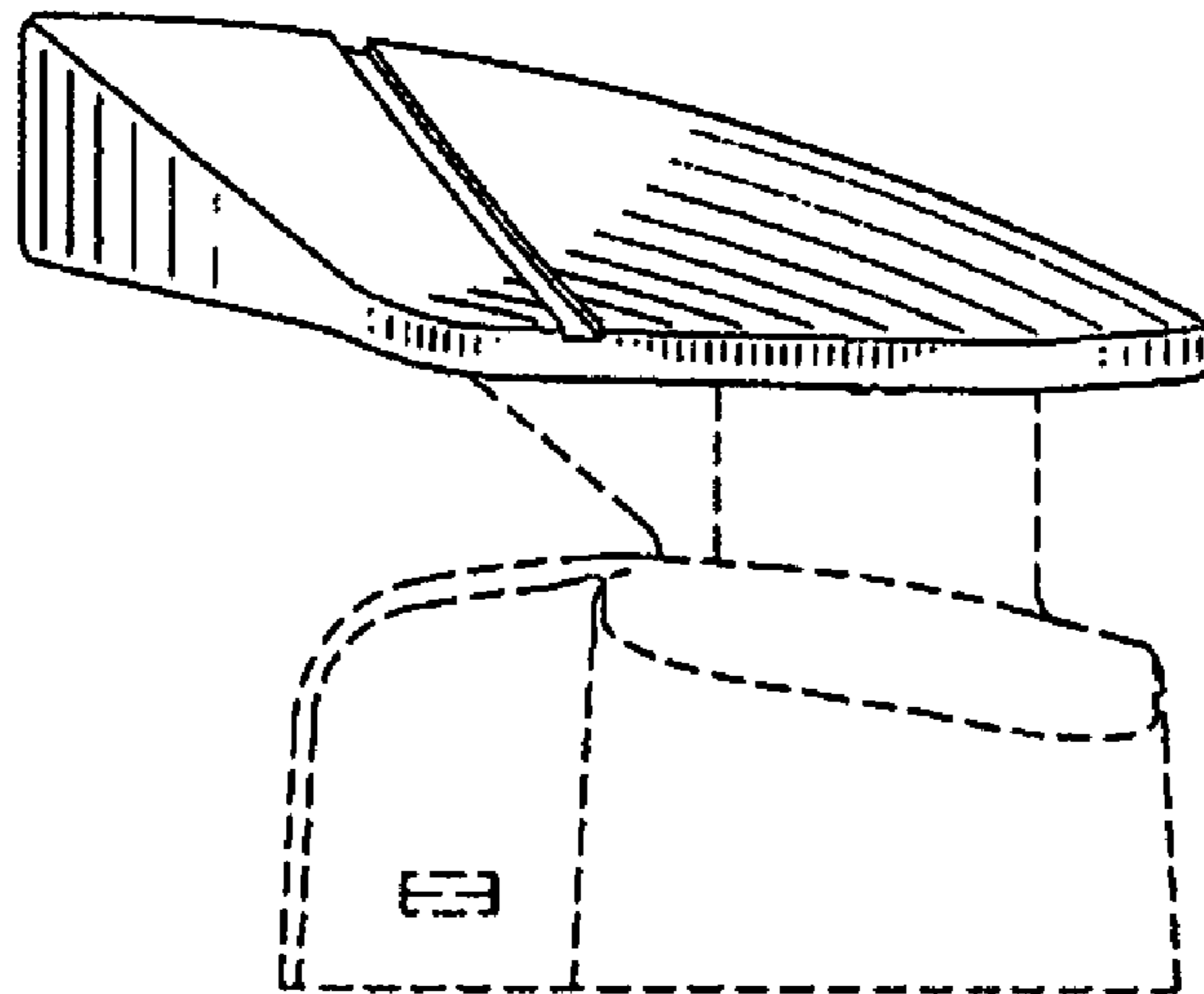


FIG. 6

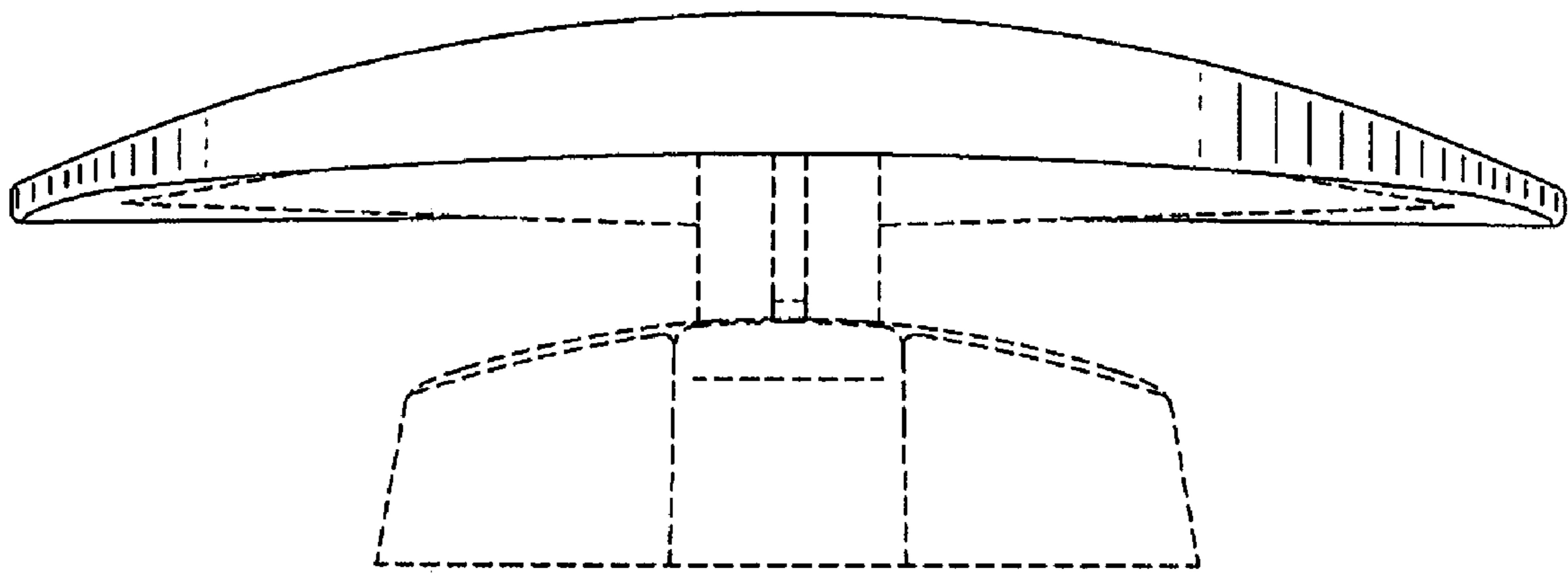


Fig-7

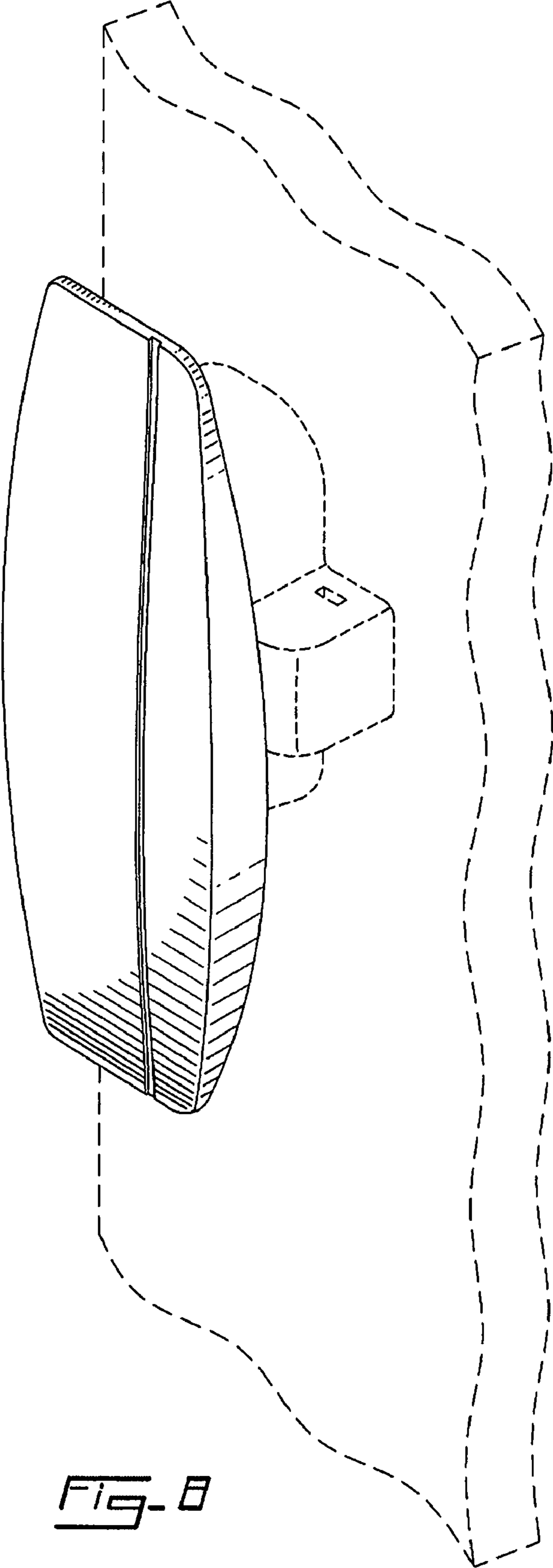


Fig. 8