



US00D563760S

(12) **United States Design Patent**
Hand et al.

(10) **Patent No.:** **US D563,760 S**
(45) **Date of Patent:** **** Mar. 11, 2008**

(54) **HANDLE**

(75) Inventors: **Jim Hand**, Glen Ellyn, IL (US); **Greg Holderfield**, Oak Park, IL (US); **Eric Hyman**, South Grafton, MA (US)

(73) Assignee: **Waterloo Industries, Inc.**, Waterloo, IA (US)

(**) Term: **14 Years**

(21) Appl. No.: **29/279,346**

(22) Filed: **Apr. 27, 2007**

Related U.S. Application Data

(63) Continuation of application No. 29/261,006, filed on Jun. 6, 2006, now Pat. No. Des. 547,160.

(51) **LOC (8) Cl.** **08-06**

(52) **U.S. Cl.** **D8/316; D8/300**

(58) **Field of Classification Search** D8/107, D8/300, 306, 313, 315-320, 321, DIG. 4; D3/307, 318, 282, 327; D9/434; 24/265 B; 190/39, 107, 110, 115; D11/93, 94; 16/423, 16/430; 59/79.1, 80; 220/774-776; 150/107, 150/110

See application file for complete search history.

(56) **References Cited**

U.S. PATENT DOCUMENTS

823,173 A	6/1906	Hunter	
1,626,139 A *	4/1927	Kraysler	59/80
2,510,695 A *	6/1950	Guarnieri	24/265 B
2,680,460 A	6/1954	Hyman	
3,800,361 A	4/1974	Stauffer	
D235,730 S *	7/1975	Bush	D8/306

4,091,497 A *	5/1978	Bade	16/430
4,782,556 A	11/1988	Kim	
4,799,521 A	1/1989	Shick	
5,144,719 A *	9/1992	Arthur	16/423
5,560,083 A	10/1996	Teixeira	
5,562,189 A	10/1996	Chen	
D394,157 S *	5/1998	Dickinson et al.	D3/318
D403,229 S	12/1998	Chou	
6,185,923 B1 *	2/2001	Elias	59/79.1
D494,368 S *	8/2004	Nakahama	D3/327
D547,160 S	7/2007	Hand et al.	

* cited by examiner

Primary Examiner—Paula A. Greene

(74) *Attorney, Agent, or Firm*—Calfee, Halter & Griswold LLP

(57) **CLAIM**

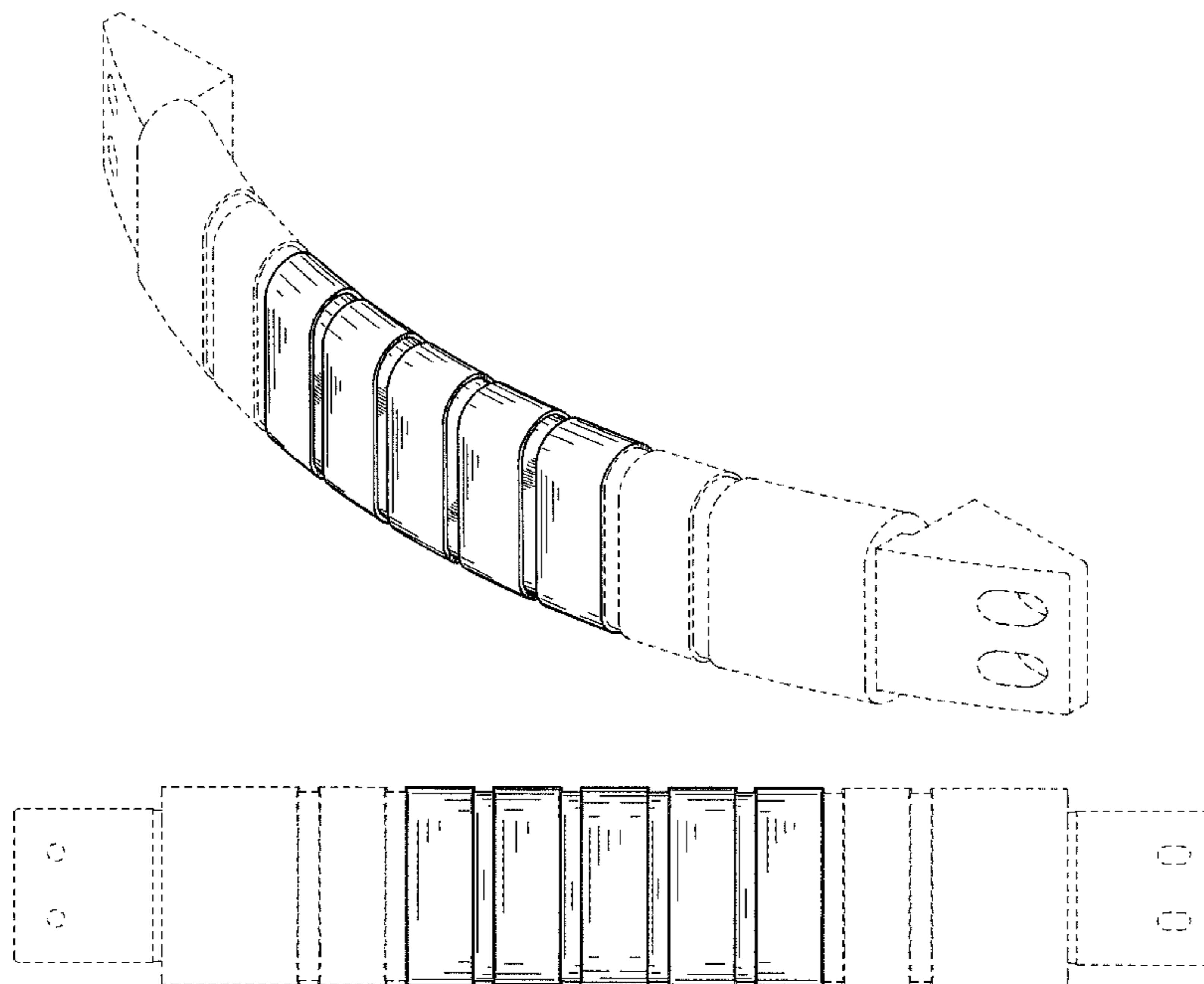
The ornamental design for handle, as shown and described.

DESCRIPTION

FIG. 1 is a perspective view of a handle of the new design, showing the handle installed on an exemplary tool chest; FIG. 2 is a front perspective view of the handle of FIG. 1; FIG. 3 is a rear view of the handle of FIG. 1; FIG. 4 is a front view of the handle of FIG. 1; FIG. 5 is a side view of the handle of FIG. 1, the opposing side view being a mirror image thereof; and, FIG. 6 is an end view of the handle of FIG. 1, the opposing end view being a mirror image thereof.

The portions of the Figures shown in phantom lines form no part of the claimed design and for illustrative purposes only.

1 Claim, 3 Drawing Sheets



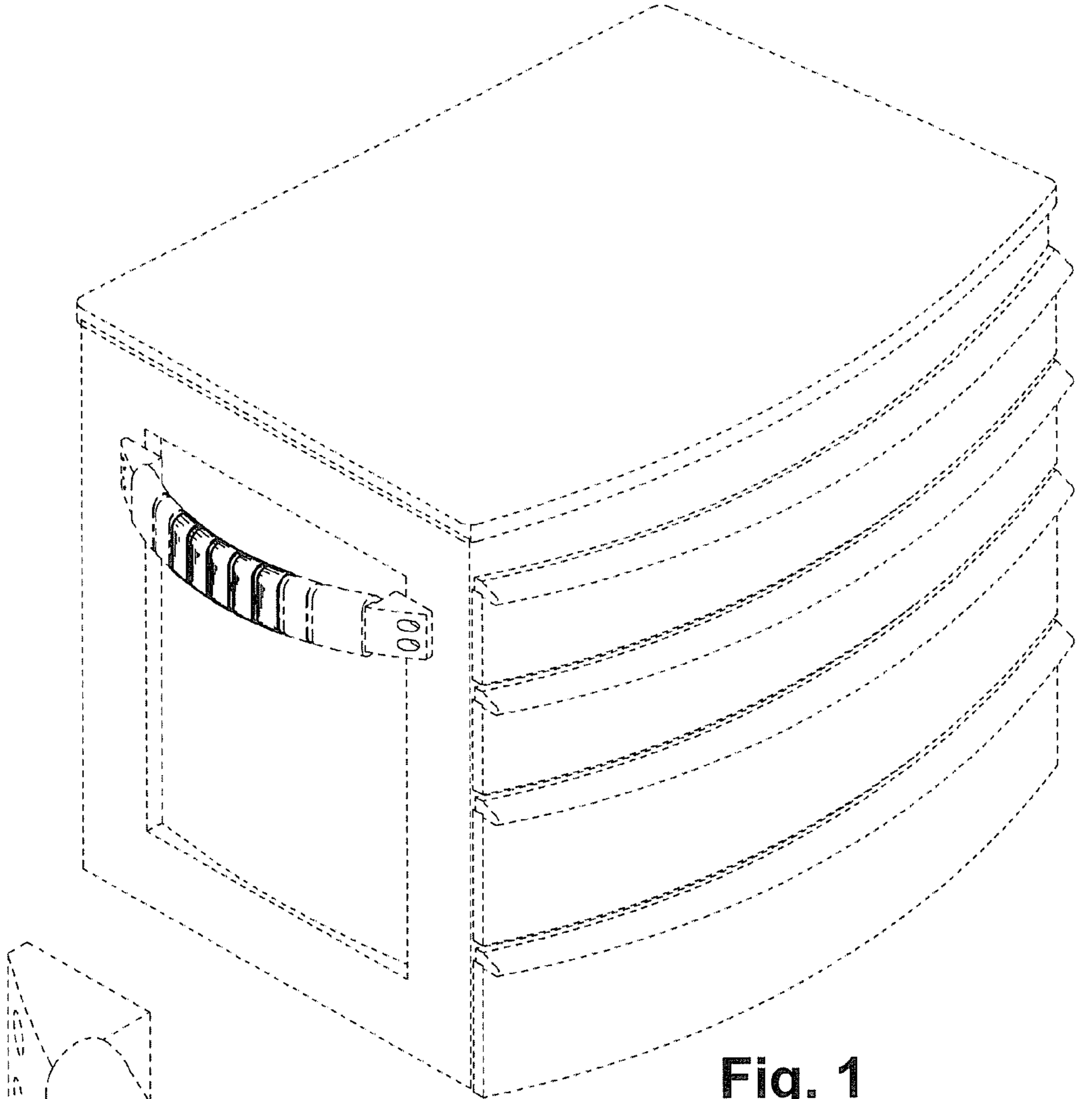


Fig. 1

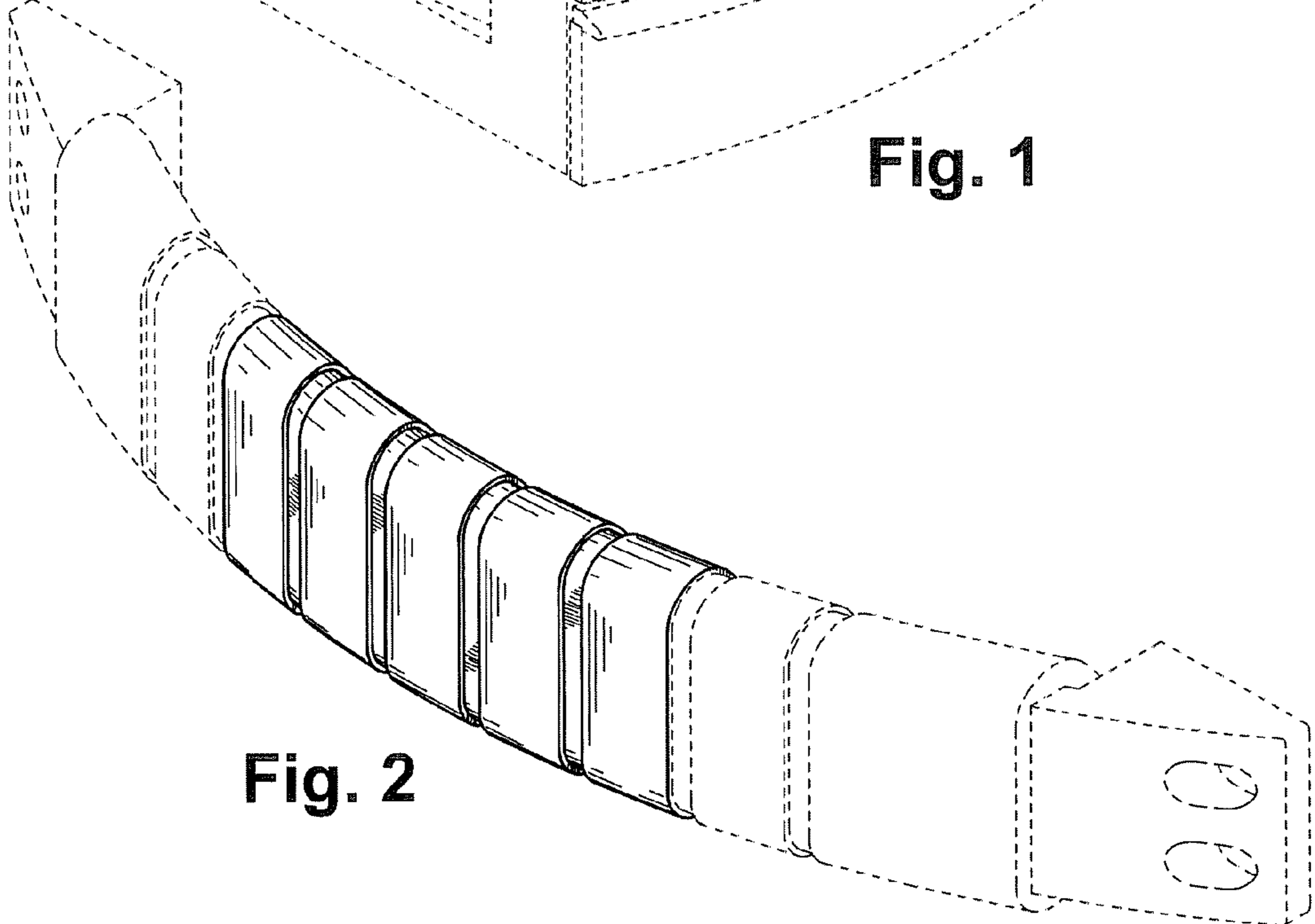


Fig. 2

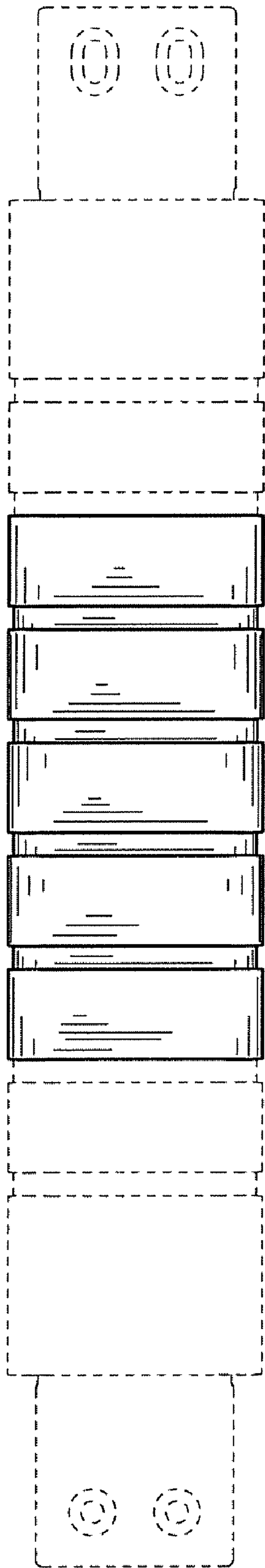


Fig. 3

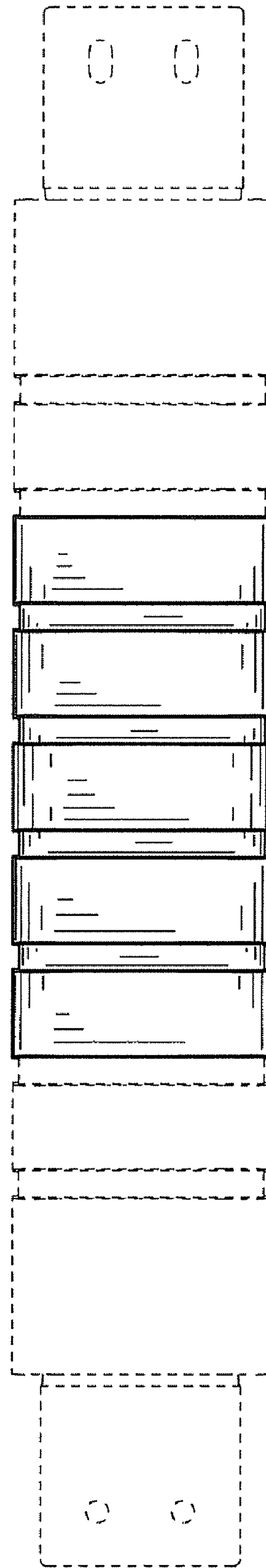


Fig. 4

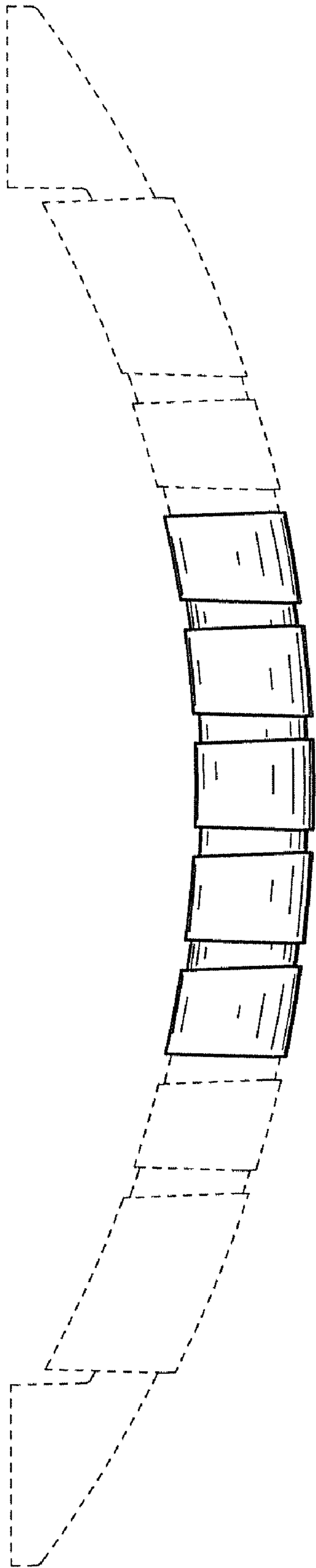


Fig. 5

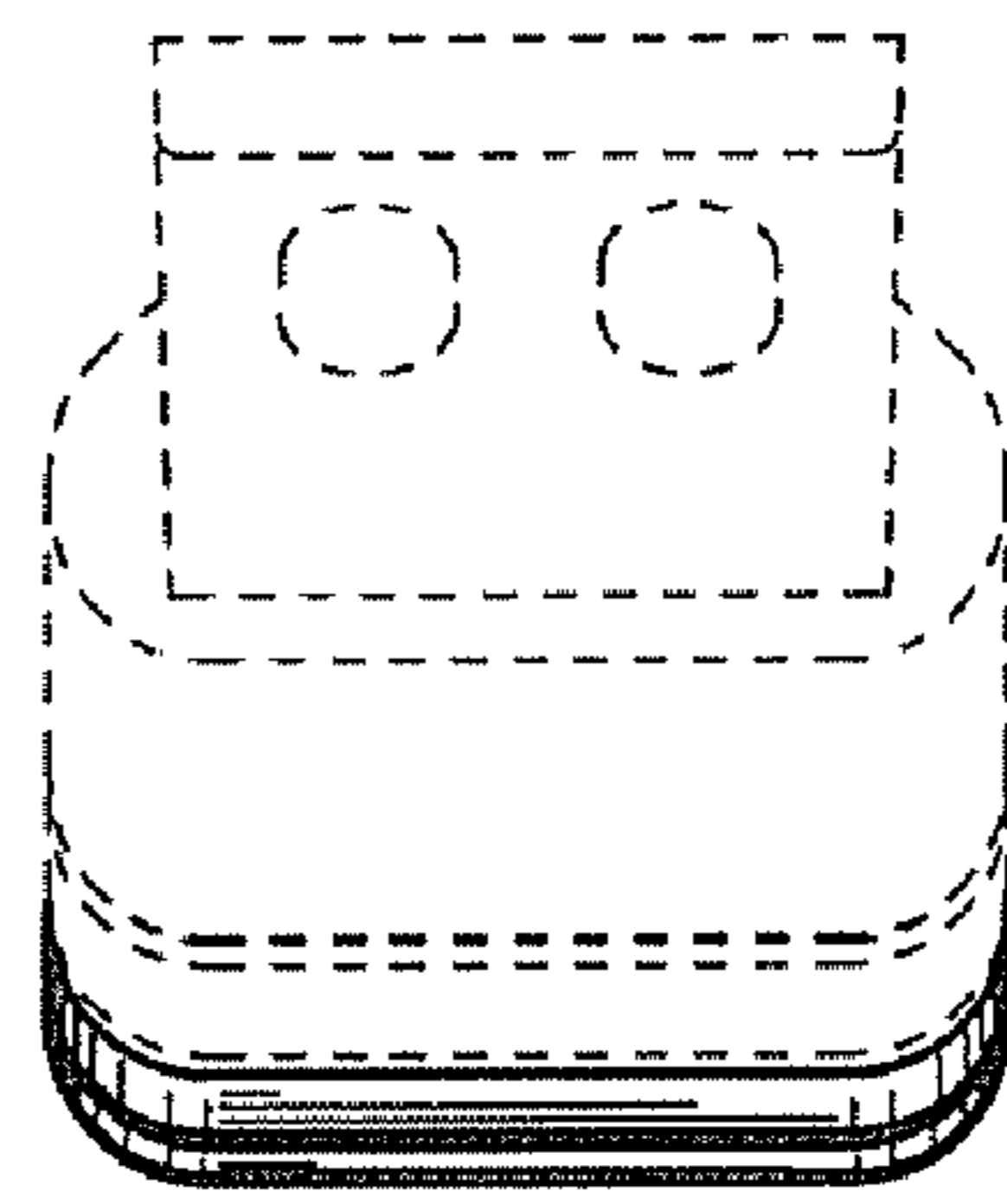


Fig. 6