



US00D563759S

(12) **United States Design Patent**  
**Oliver et al.**

(10) **Patent No.:** **US D563,759 S**  
(45) **Date of Patent:** **\*\* Mar. 11, 2008**

(54) **PULL**  
(75) Inventors: **William M. Oliver**, San Francisco, CA (US); **Michael Hart Ricereto**, Baltimore, MD (US)  
(73) Assignee: **Newell Operating Company**, Atlanta, GA (US)  
(\*\*) Term: **14 Years**  
(21) Appl. No.: **29/278,714**  
(22) Filed: **Apr. 6, 2007**

D178,865 S 10/1956 Clayton  
2,796,627 A 6/1957 Heyer  
D186,053 S 9/1959 Clayton  
D194,968 S 4/1963 Stelma  
3,096,115 A 7/1963 Patriquin et al.  
D199,839 S 12/1964 Simpson  
D200,953 S 4/1965 Menezes et al.  
D203,147 S 12/1965 Kaiser  
D203,148 S 12/1965 Kaiser  
D204,128 S 3/1966 Clayton  
D204,461 S 4/1966 Volker  
D207,898 S 6/1967 Doman

(51) **LOC (8) Cl.** ..... **08-06**  
(52) **U.S. Cl.** ..... **D8/316**  
(58) **Field of Classification Search** ..... D8/300, D8/302, 305, 307, 310-312, 315-321, DIG. 1, D8/DIG. 2; D7/393, 394; D3/318; D23/250-254, D23/303, 305; D6/549; D15/89; 292/347, 292/336.3; 200/336, 341; 16/441, 118, 16/110 R, 111 R, DIG. 19, DIG. 20, 110.1, 16/412, 414-420, 443-446; 211/16  
See application file for complete search history.

(56) **References Cited**  
U.S. PATENT DOCUMENTS

436,523 A 9/1890 Giover  
D22,755 S 8/1893 Russell  
D35,238 S 10/1901 Tower  
784,131 A 3/1905 Assel  
D47,069 S 3/1915 Burns  
D67,474 S 6/1925 Rosenthal  
2,002,817 A 5/1935 Johnson  
D98,440 S 2/1936 Martin  
D100,034 S 6/1936 McCormick  
D104,262 S 4/1937 Hewes  
D115,537 S 7/1939 Bahr  
D116,935 S 10/1939 Jung  
D121,558 S 7/1940 Borchers  
D127,190 S 5/1941 Jung  
D152,901 S 3/1949 Petersen  
D169,533 S 5/1953 Deadrick  
2,688,297 A 9/1954 Livermont et al.

(Continued)

*Primary Examiner*—Stella M. Reid  
*Assistant Examiner*—Mark Goodwin  
(74) *Attorney, Agent, or Firm*—Banner & Witcoff, Ltd.

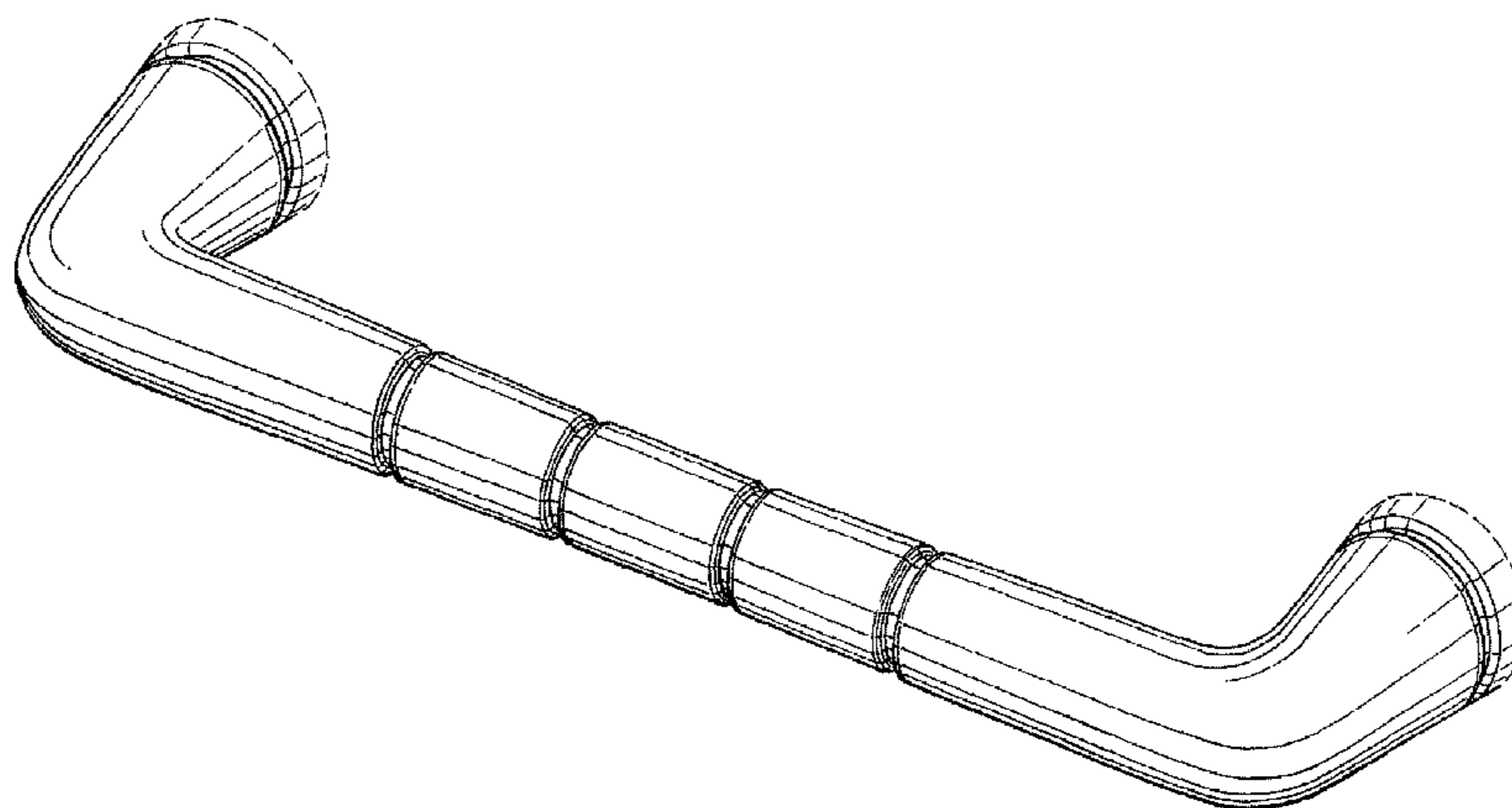
(57) **CLAIM**

We claim the ornamental design for a pull, as shown and described.

**DESCRIPTION**

FIG. 1 is an elevated perspective view of the pull of the present claimed design;  
FIG. 2 is a front view of the pull shown in FIG. 1;  
FIG. 3 is an end view of the pull shown in FIG. 1, the opposite end view being identical thereto;  
FIG. 4 is a side view of the pull shown in FIG. 1, the opposite side view being identical thereto; and,  
FIG. 5 is a rear view of the pull shown in FIG. 1.  
Features shown in broken lines in the drawings are not part of the claim.

**1 Claim, 2 Drawing Sheets**



# US D563,759 S

U.S. PATENT DOCUMENTS					
D217,431 S	5/1970	Russell	D368,842 S	4/1996	Sonnenleiter
D219,702 S	1/1971	Korol	D370,613 S	6/1996	Ainscough
D222,232 S	10/1971	Horgan	D370,614 S	6/1996	Ainscough
D224,225 S	7/1972	Doman	D371,062 S	6/1996	Ainscough
D232,621 S	9/1974	Zagaroli	D372,414 S	8/1996	De'Armond
D241,843 S	10/1976	Shames	D372,657 S	8/1996	De'Armond
D252,092 S	6/1979	Popeck	D372,659 S	8/1996	De'Armond
D252,183 S	6/1979	DeWindt	D373,065 S	8/1996	De'Armond
4,193,166 A	3/1980	Neff	D373,066 S	8/1996	De'Armond
D256,862 S	9/1980	Ryan et al.	D373,067 S	8/1996	De'Armond
D267,187 S	12/1982	Ronvik	D374,390 S	10/1996	De'Armond
D267,774 S	2/1983	Pittenger	D377,655 S	1/1997	Smith
D267,926 S	2/1983	Pittenger	D377,747 S	2/1997	De'Armond
D268,246 S	3/1983	Tegner	D381,252 S	7/1997	Chieda
D270,993 S	10/1983	Tegner	D386,667 S	11/1997	Smith
D270,994 S	10/1983	Tegner	D388,272 S	12/1997	Moore
D271,464 S	11/1983	Carlson	D396,179 S	7/1998	Burns et al.
D272,800 S	2/1984	Pawlow	D396,180 S	7/1998	Burns et al.
D274,035 S	5/1984	Pawlow	D399,117 S	10/1998	Burns et al.
D274,123 S	6/1984	Tegner	D399,406 S	10/1998	Decursu et al.
D284,737 S	7/1986	Clayton	D399,407 S	10/1998	Burns et al.
D290,337 S	6/1987	Savage	D399,723 S	10/1998	Burns et al.
D290,493 S	6/1987	Dragos	D401,834 S	12/1998	Burns et al.
D295,827 S	5/1988	Benjamin	D401,835 S	12/1998	Burns et al.
D296,073 S	6/1988	Rhoades	D403,230 S	12/1998	Ziemer et al.
D297,211 S	8/1988	Rhoades	D403,571 S	1/1999	Burns et al.
D300,505 S	4/1989	Palm, Jr. et al.	D406,745 S	3/1999	Burns et al.
D305,862 S	2/1990	Clayton	D409,867 S *	5/1999	Sweetman ..... D6/523
D305,863 S	2/1990	Gresens et al.	D411,728 S	6/1999	O'Neil
D312,381 S	11/1990	Clayton	D411,793 S	7/1999	O'Neil
D322,659 S	12/1991	Reid et al.	D411,794 S	7/1999	O'Neil
D323,726 S	2/1992	Murphy	D411,795 S	7/1999	O'Neil
D326,219 S	5/1992	Clayton	D413,248 S	8/1999	O'Neil
D326,990 S	6/1992	Bishop	D414,100 S	9/1999	O'Neil
D326,991 S	6/1992	Bishop	D415,257 S	10/1999	Abel
D326,992 S	6/1992	Clayton	D415,405 S	10/1999	O'Neil
D326,993 S	6/1992	Clayton	D416,465 S	11/1999	O'Neil
D326,994 S	6/1992	Bishop	D418,387 S	1/2000	O'Neil
D326,997 S	6/1992	Clayton	D418,388 S	1/2000	O'Neil
D327,196 S	6/1992	Crook et al.	D418,389 S	1/2000	O'Neil
D327,407 S	6/1992	Clayton	D418,803 S	1/2000	Klimenko
D327,420 S	6/1992	Bishop	D423,854 S *	5/2000	Roth et al. .... D6/549
D327,530 S	6/1992	Rawald	D429,455 S	8/2000	Burns et al.
D333,697 S	3/1993	Thomas	D429,991 S	8/2000	Short
5,255,413 A	10/1993	Sabo	D431,442 S	10/2000	Short
5,333,430 A	8/1994	Vidal	D431,444 S	10/2000	Short
D355,834 S	2/1995	Chieda	D431,445 S	10/2000	Short
D355,835 S	2/1995	Chieda	D431,996 S	10/2000	Short
D355,837 S	2/1995	Chieda	D434,633 S	12/2000	Short
D355,838 S	2/1995	Chieda	D434,962 S	12/2000	Short
D355,839 S	2/1995	Chieda	D434,963 S	12/2000	Short
D356,724 S	3/1995	Chieda	D435,424 S	12/2000	Short
D357,168 S	4/1995	Chieda	D435,426 S	12/2000	Short
D361,491 S	8/1995	Chieda	D437,202 S	2/2001	O'Neil
D361,492 S	8/1995	Chieda	D442,462 S	5/2001	Dewald et al.
D361,493 S	8/1995	Chieda	D454,459 S *	3/2002	Meck et al. .... D6/549
D361,496 S	8/1995	Chieda	D468,145 S *	1/2003	Ouyoung ..... D6/549
D361,498 S	8/1995	Chieda	D506,378 S	6/2005	Coudurier
D361,707 S	8/1995	Chieda	D526,883 S	8/2006	Gilbert
D366,998 S	2/1996	Hollingsworth	D541,131 S	4/2007	Ricereto et al.
D367,217 S	2/1996	Hollingsworth-Ainscough	D541,619 S	5/2007	Ricereto
D367,417 S	2/1996	Ainscough	D542,116 S	5/2007	Ricereto et al.
D368,014 S	3/1996	Ainscough	D542,119 S	5/2007	Ricereto
D368,638 S	4/1996	Sonnenleiter	D542,622 S	5/2007	Ricereto
D368,639 S	4/1996	Chieda	D542,623 S	5/2007	Ricereto
D368,640 S	4/1996	Sonnenleiter	D543,088 S	5/2007	Ricereto
D368,642 S	4/1996	Chieda	D543,436 S	5/2007	Ricereto
D368,643 S	4/1996	Sonnenleiter	D545,665 S	7/2007	Ricereto et al.
D368,644 S	4/1996	Bishop			

\* cited by examiner

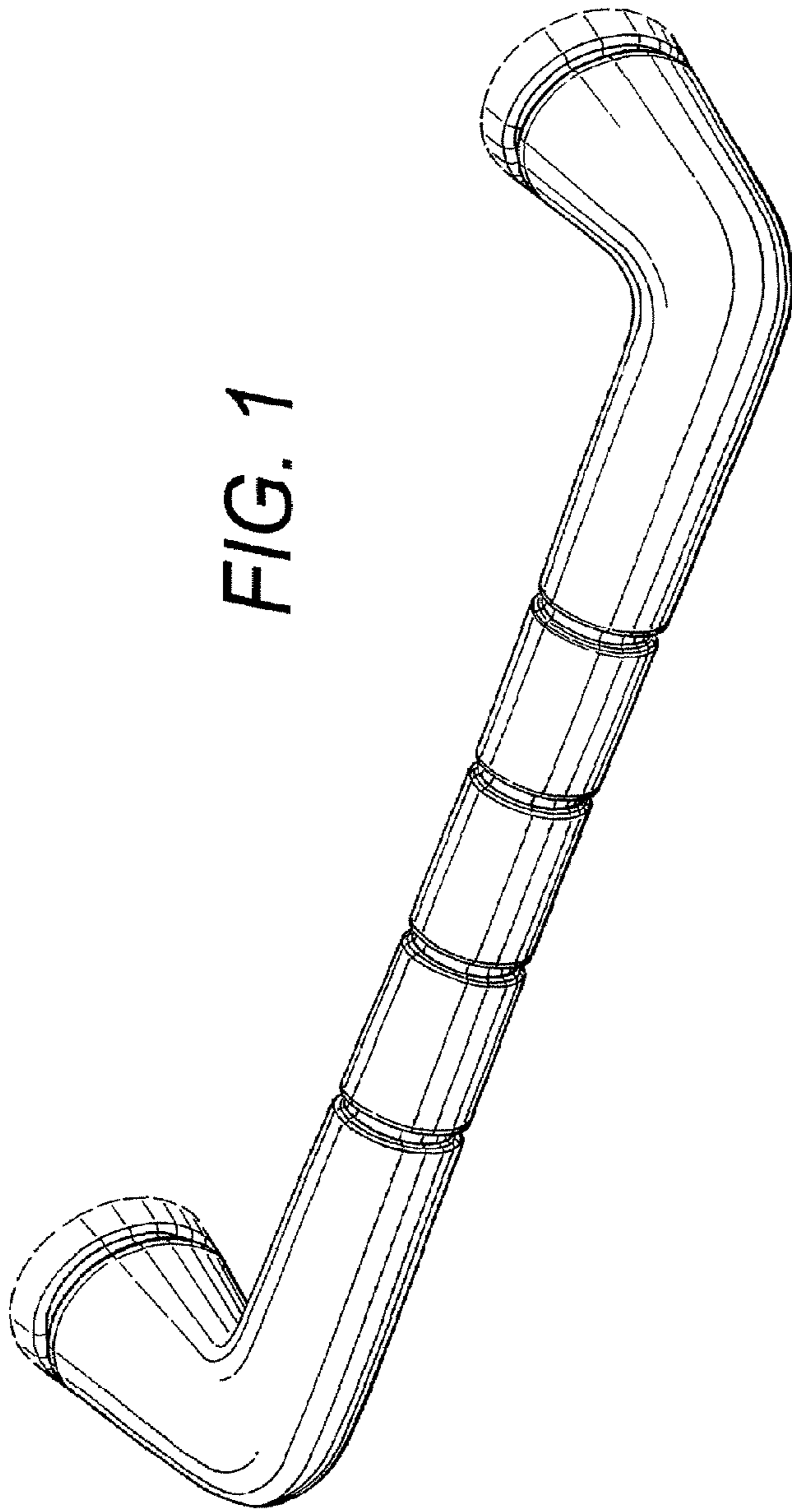


FIG. 1

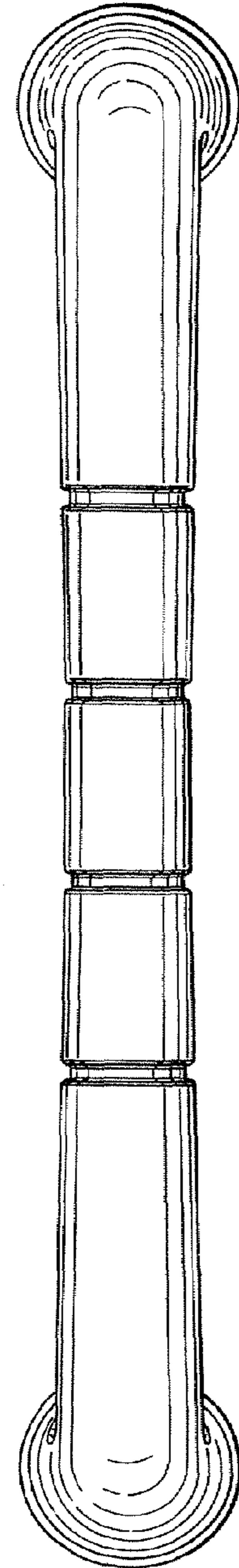
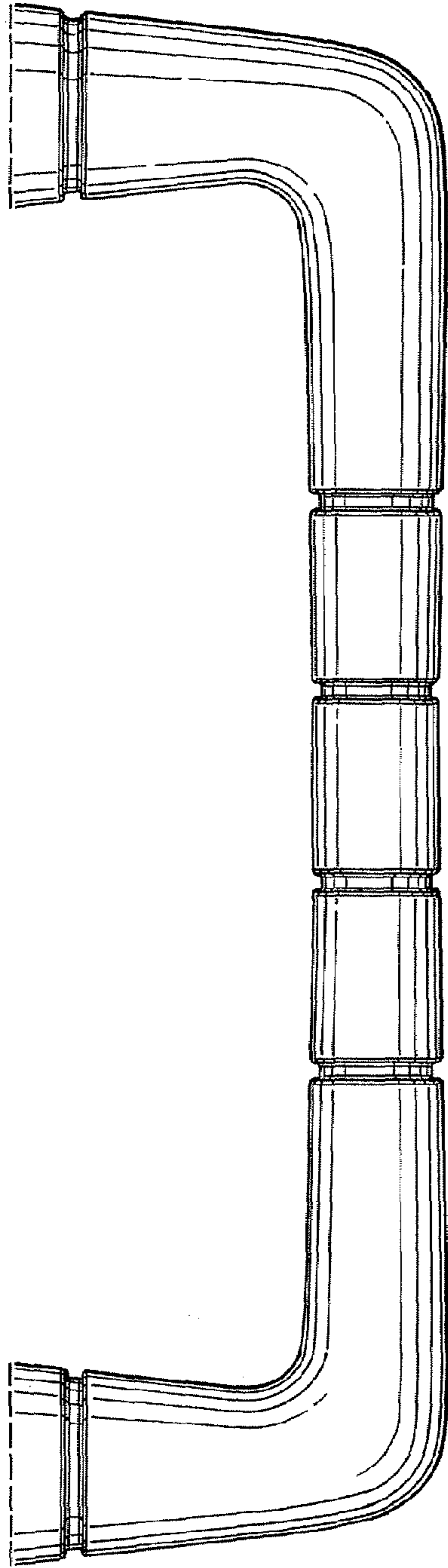
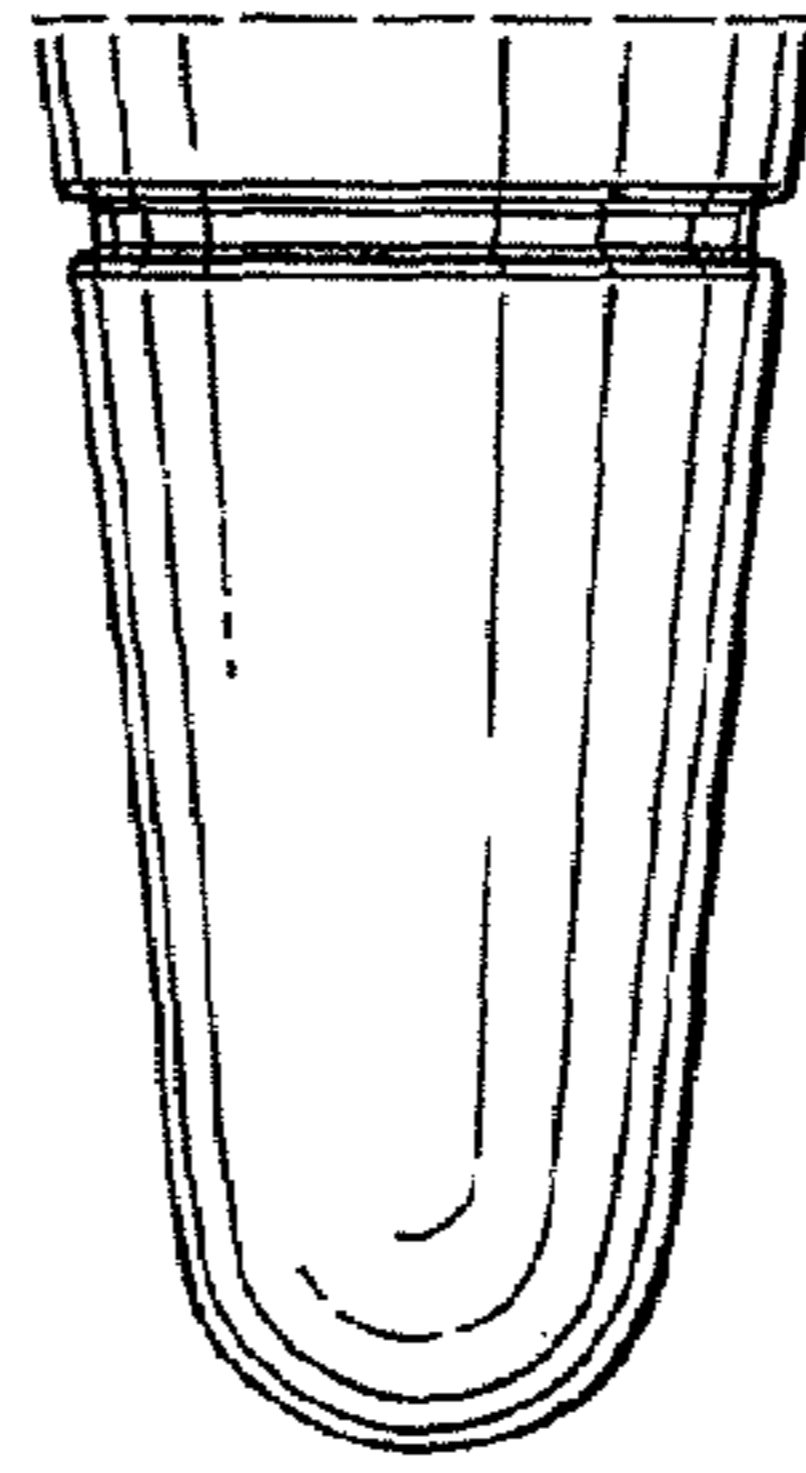


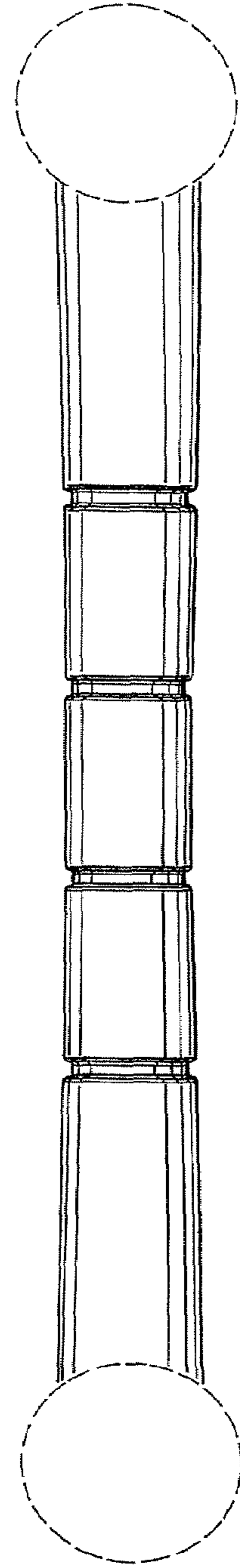
FIG. 2



**FIG. 3**



**FIG. 4**



**FIG. 5**