



US00D563757S

(12) **United States Design Patent** (10) **Patent No.:** **US D563,757 S**
Cruver, IV et al. (45) **Date of Patent:** **** Mar. 11, 2008**

(54) **KNOB**

D450,997 S * 11/2001 Brady D8/311

(Continued)

(75) Inventors: **Curtis Leroy Cruver, IV**, Elmhurst, IL
(US); **Christian Kulujian**, Chicago, IL
(US); **Gerry N. Lippincott**, Milton, WI
(US)

OTHER PUBLICATIONS

(73) Assignee: **Wolf Appliance, Inc.**, Fitchburg, WI
(US)

Wolf Appliance Company, Planning Information for 36" Sealed
Burner Rangetop, Sep. 2006; 5 pgs.

(**) Term: **14 Years**

Wolf Appliance Company, Gas Rangetops Use & Care Information,
Mar. 2006; 24 pgs.

(21) Appl. No.: **29/272,403**

Wolf Appliance Company, Gas Ranges Use & Care Information,
Oct. 2006; 36 pgs.

(22) Filed: **Feb. 7, 2007**

Wolf Appliance Company, Sealed Burner Rangetops Use & Care
Information, Mar. 2006; 28 pgs.

(51) **LOC (8) Cl.** **08-06**

Wolf Appliance Company, Dual Fuel Ranges Use & Care Informa-
tion, Jul. 2006; 56 pgs.

(52) **U.S. Cl.** **D8/310; D8/311; D8/321**

Wolf Appliance Company, Gas BBQ Grills Use & Care Informa-
tion, Dec. 2005; 24 pgs.

(58) **Field of Classification Search** D8/300,
D8/301-312, 321, DIG. 2; D7/402, 405,
D7/393; 116/309, 315, 311-312, 319, 320;
74/501.6, 553, 548, 558.5; 200/316, 336;
345/156; 16/441, 110 R, 114 R, 121, 118,
16/414; 362/26

Primary Examiner—Stella M. Reid

Assistant Examiner—Mark Goodwin

(74) *Attorney, Agent, or Firm*—Foley & Lardner LLP

See application file for complete search history.

(57) **CLAIM**

We claim the ornamental design for a knob, as shown and
described.

(56) **References Cited**

DESCRIPTION

U.S. PATENT DOCUMENTS

FIG. 1 is a perspective view of a knob showing our new
design.

- D141,518 S * 6/1945 Porthouse et al. D9/439
- D162,734 S * 4/1951 Hitchcock D8/311
- D164,606 S * 9/1951 Schlage D8/352
- 2,603,821 A * 7/1952 Bacon et al. 16/412
- D182,623 S * 4/1958 Russell D8/321
- D208,918 S * 10/1967 Dole, Jr. D8/311
- D221,060 S * 7/1971 Townsend D8/341
- D225,204 S * 11/1972 Kendrick D8/311
- D352,887 S * 11/1994 Schlack D8/343
- D369,288 S * 4/1996 Jensen D8/313
- D384,265 S * 9/1997 Saravis D8/300
- 5,819,968 A * 10/1998 Jones 215/222
- D400,778 S 11/1998 Holbrook, Jr.
- D421,966 S * 3/2000 Allen et al. D13/174
- 6,192,774 B1 * 2/2001 Bauer et al. 74/553
- D443,496 S * 6/2001 DeCosse D8/300
- D444,049 S * 6/2001 Decosse D8/311

FIG. 2 is a top view of FIG. 1;

FIG. 3 is an end view of FIG. 1;

FIG. 4 is a right second side view of FIG. 1, the left side
being a mirror image of FIG. 4;

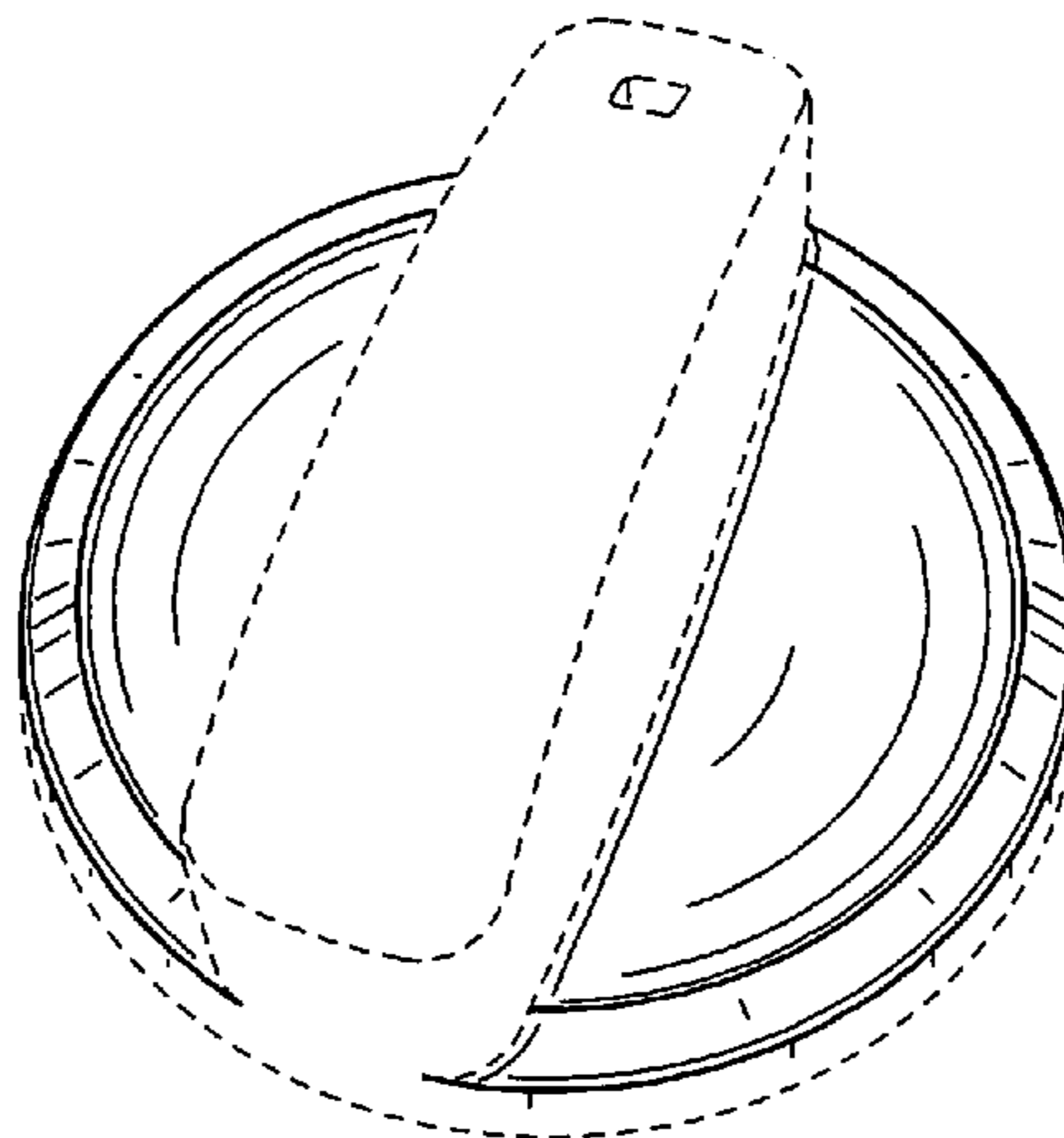
FIG. 5 is another end view of FIG. 1;

FIG. 6 is a bottom view of FIG. 1; and,

FIG. 7 is a cross-sectional view of FIG. 2 taken along line
7—7.

The ornamental design which is claimed is shown in solid
lines in the drawings. The broken lines in the drawings are
for illustrative purposes only and form no part of the claimed
design.

1 Claim, 3 Drawing Sheets



US D563,757 S

Page 2

U.S. PATENT DOCUMENTS

D493,090 S *	7/2004	Chen et al.	D8/310	D516,407 S	3/2006	Grutzke et al.	
D498,657 S *	11/2004	Milrud et al.	D8/311	D521,314 S *	5/2006	Ball	D7/393
6,871,379 B2	3/2005	Ebeling et al.		D521,801 S	5/2006	Huxhold et al.	
D504,300 S *	4/2005	Chen et al.	D8/310	D525,517 S	7/2006	Baldwin	
D510,012 S *	9/2005	Woods	D8/310	D525,518 S	7/2006	Baldwin	
D510,515 S *	10/2005	Miller	D8/311	7,171,727 B2	2/2007	Wylie et al.	
D511,669 S *	11/2005	Miller	D8/300				

* cited by examiner

FIG. 1

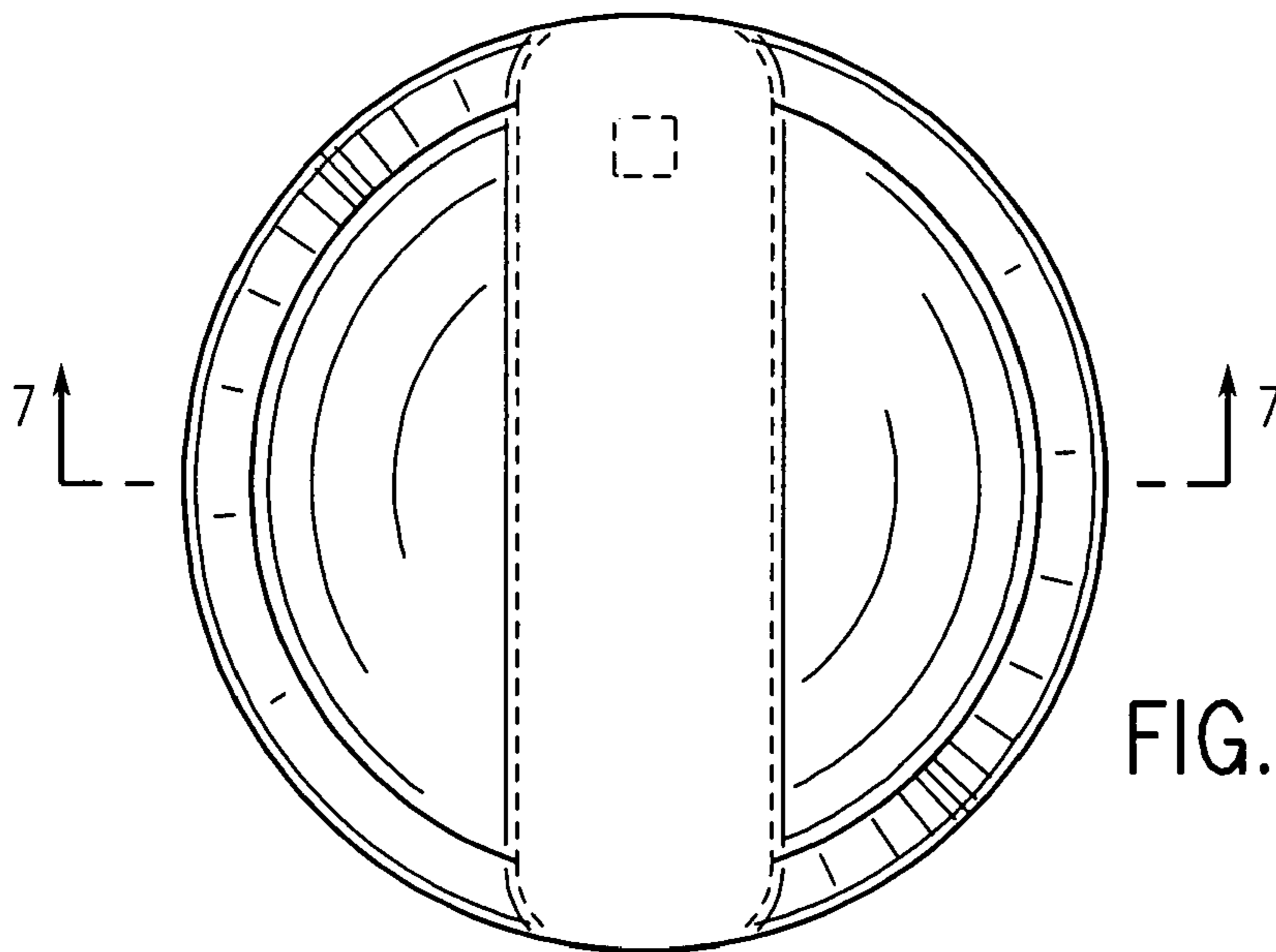
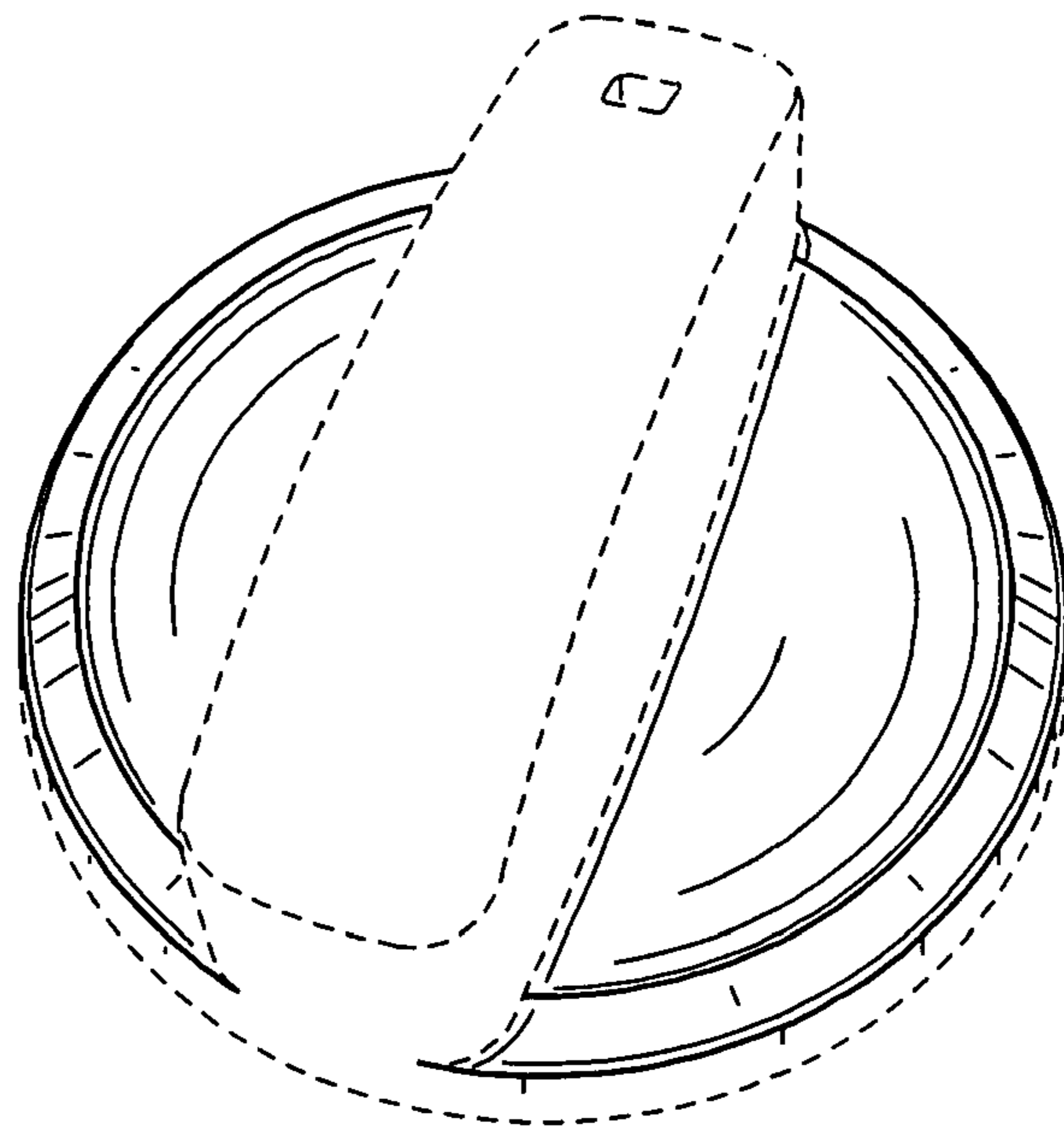
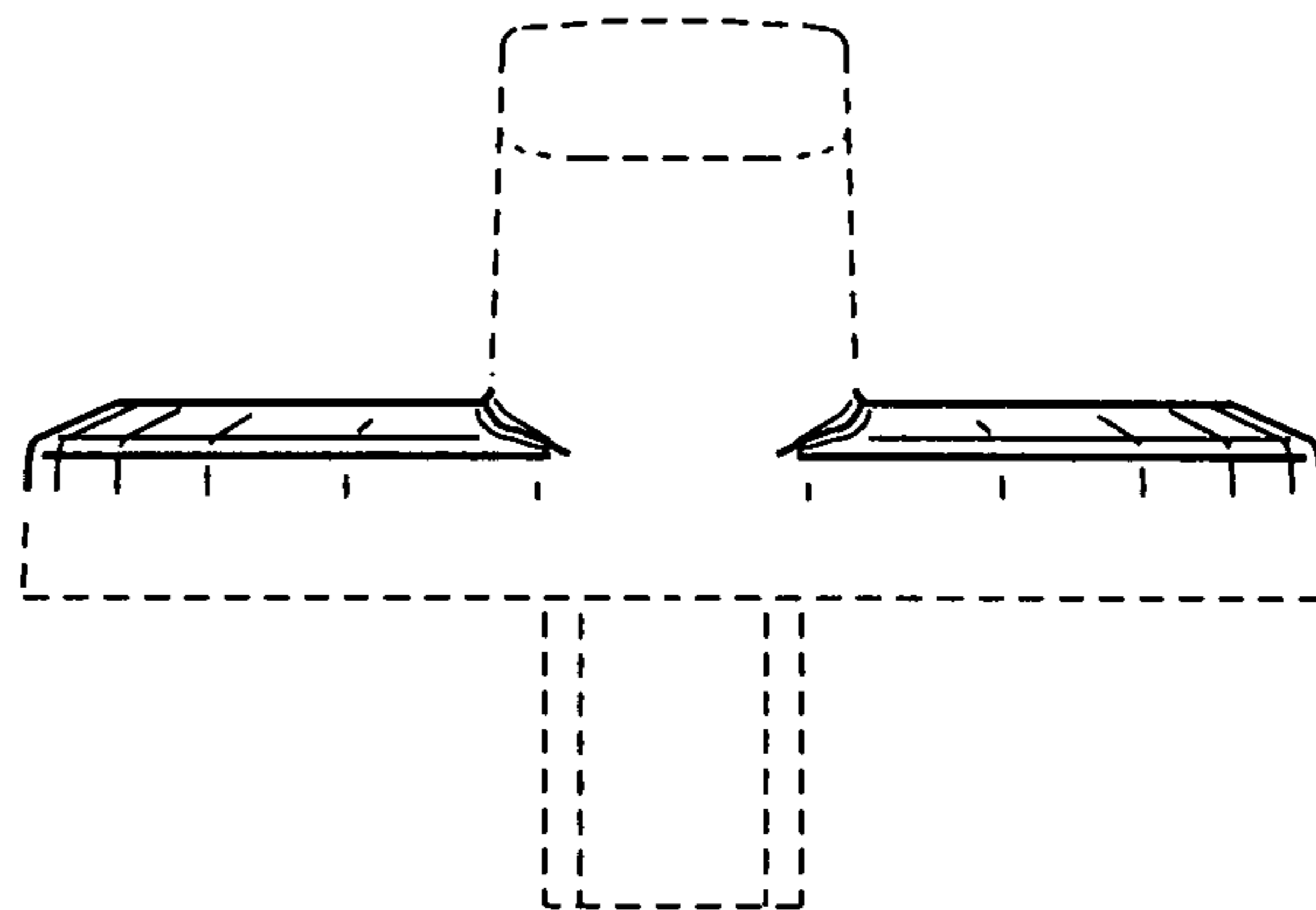


FIG. 2

FIG. 3



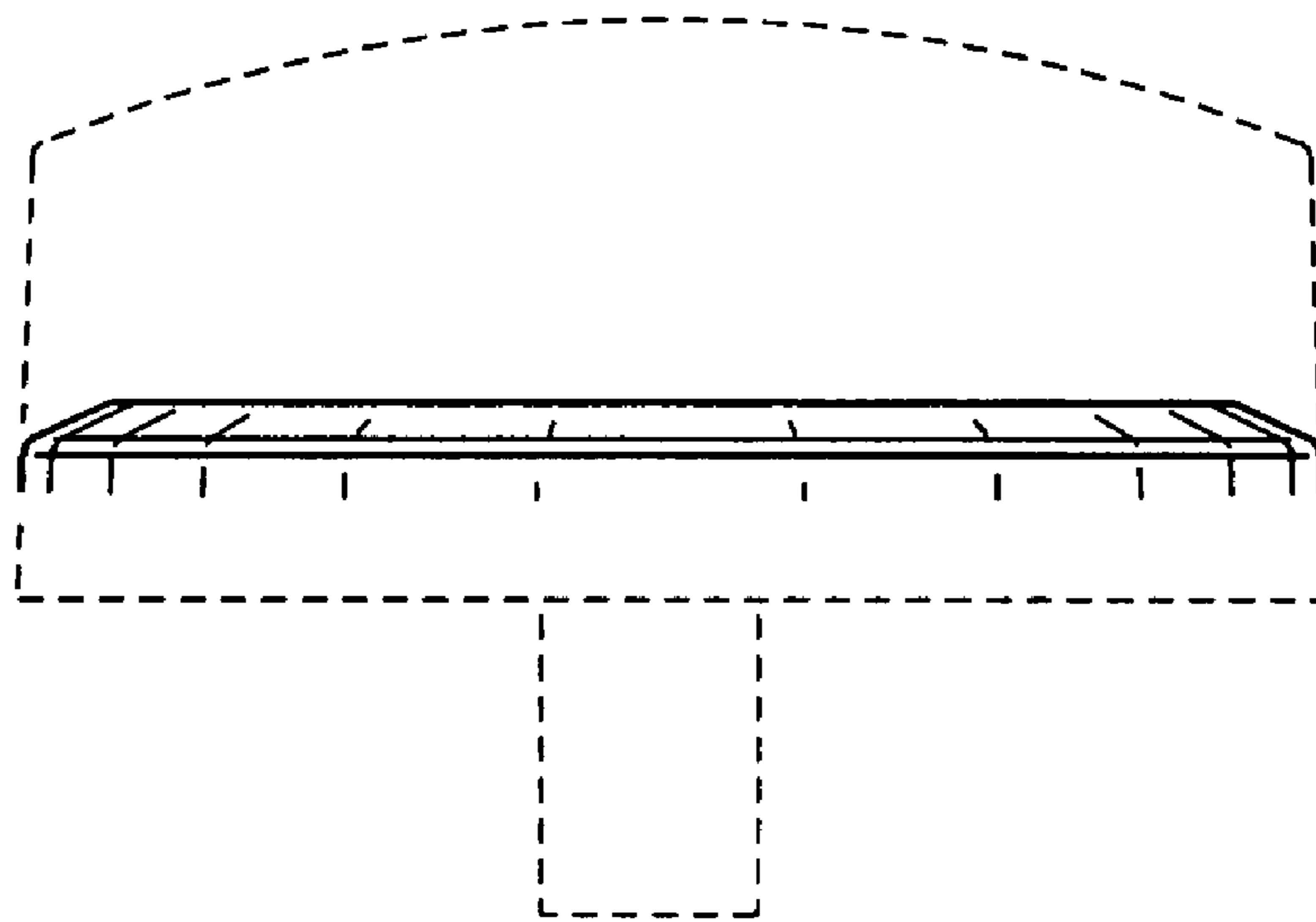


FIG. 4

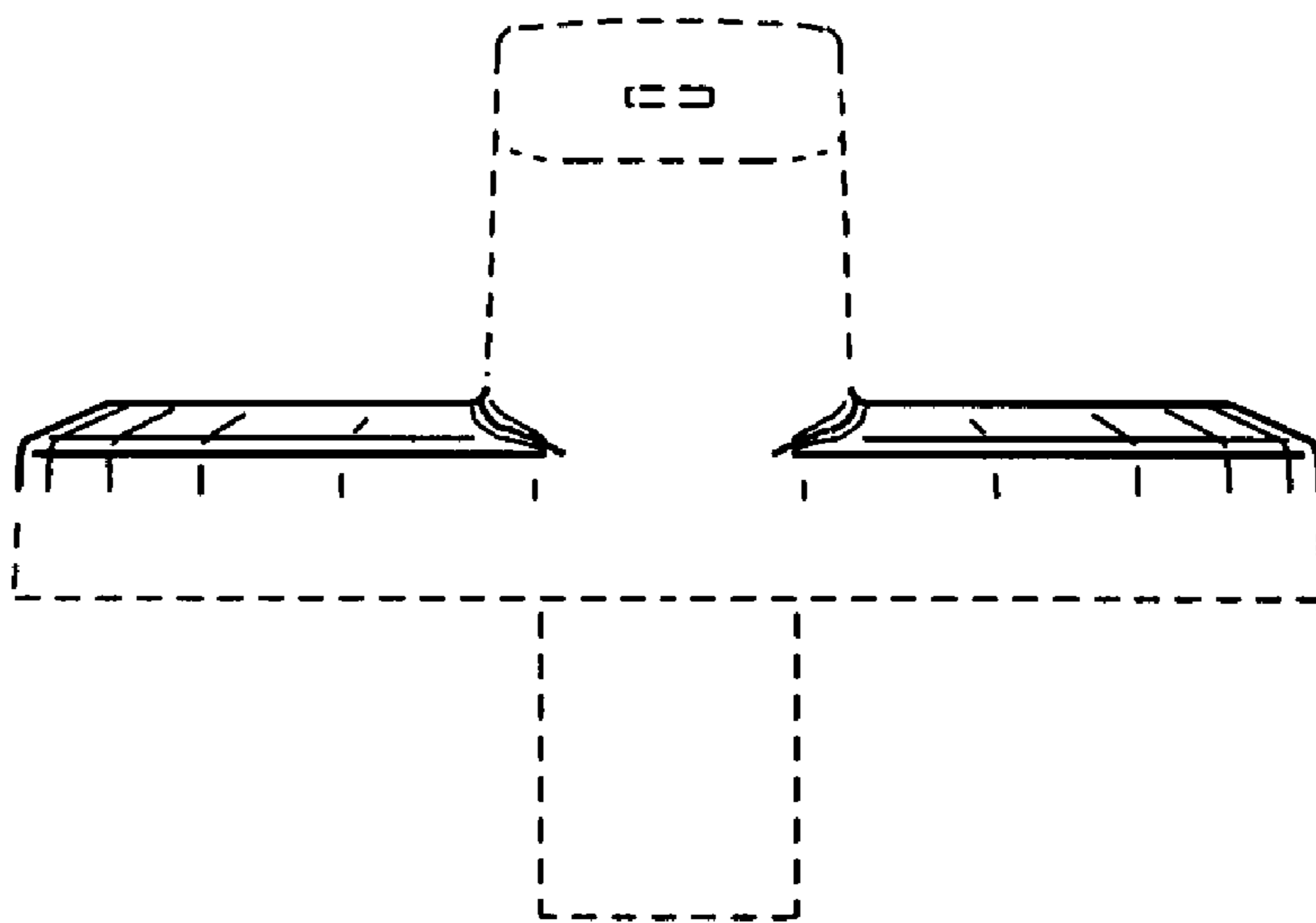


FIG. 5

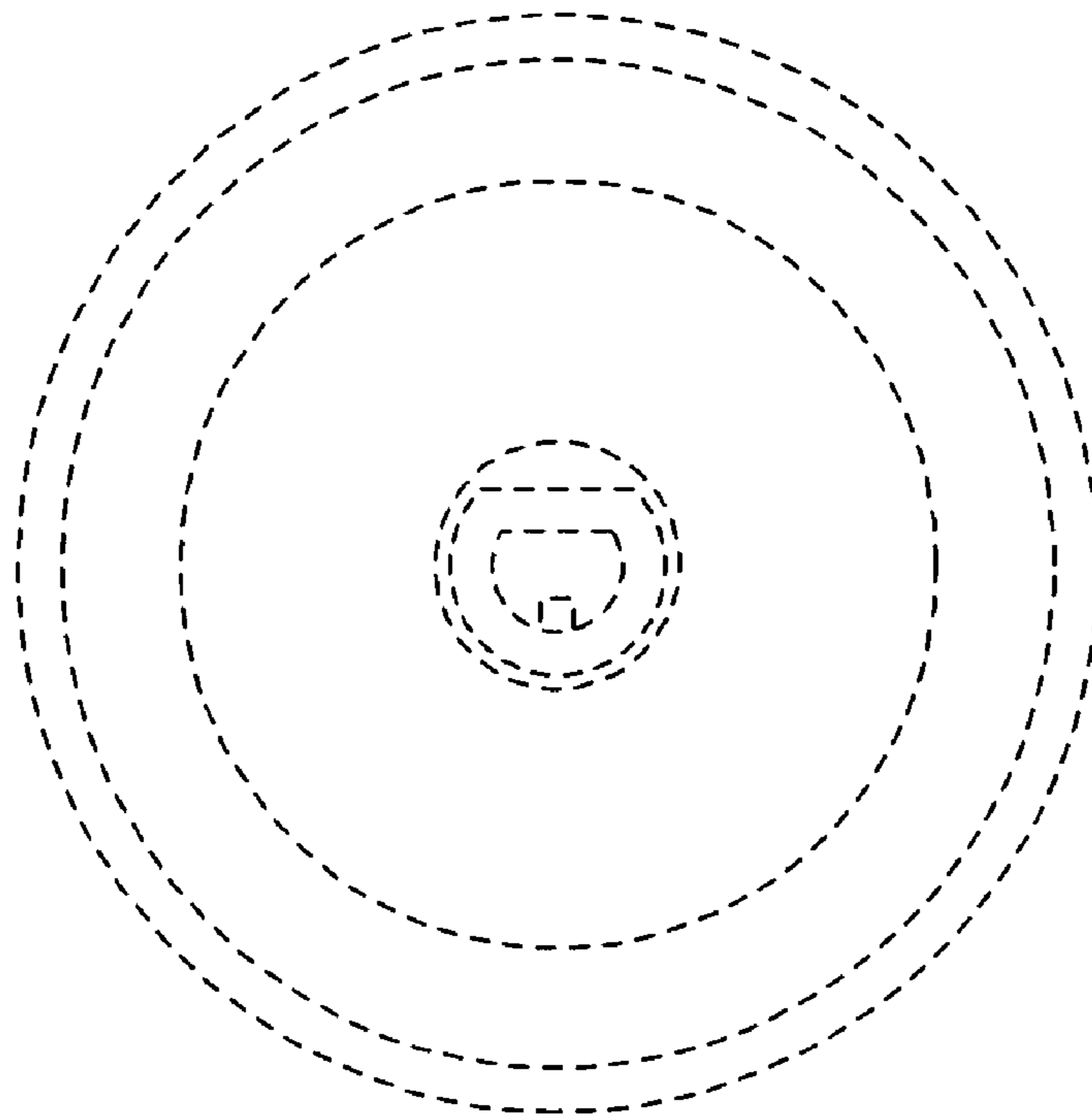


FIG. 6

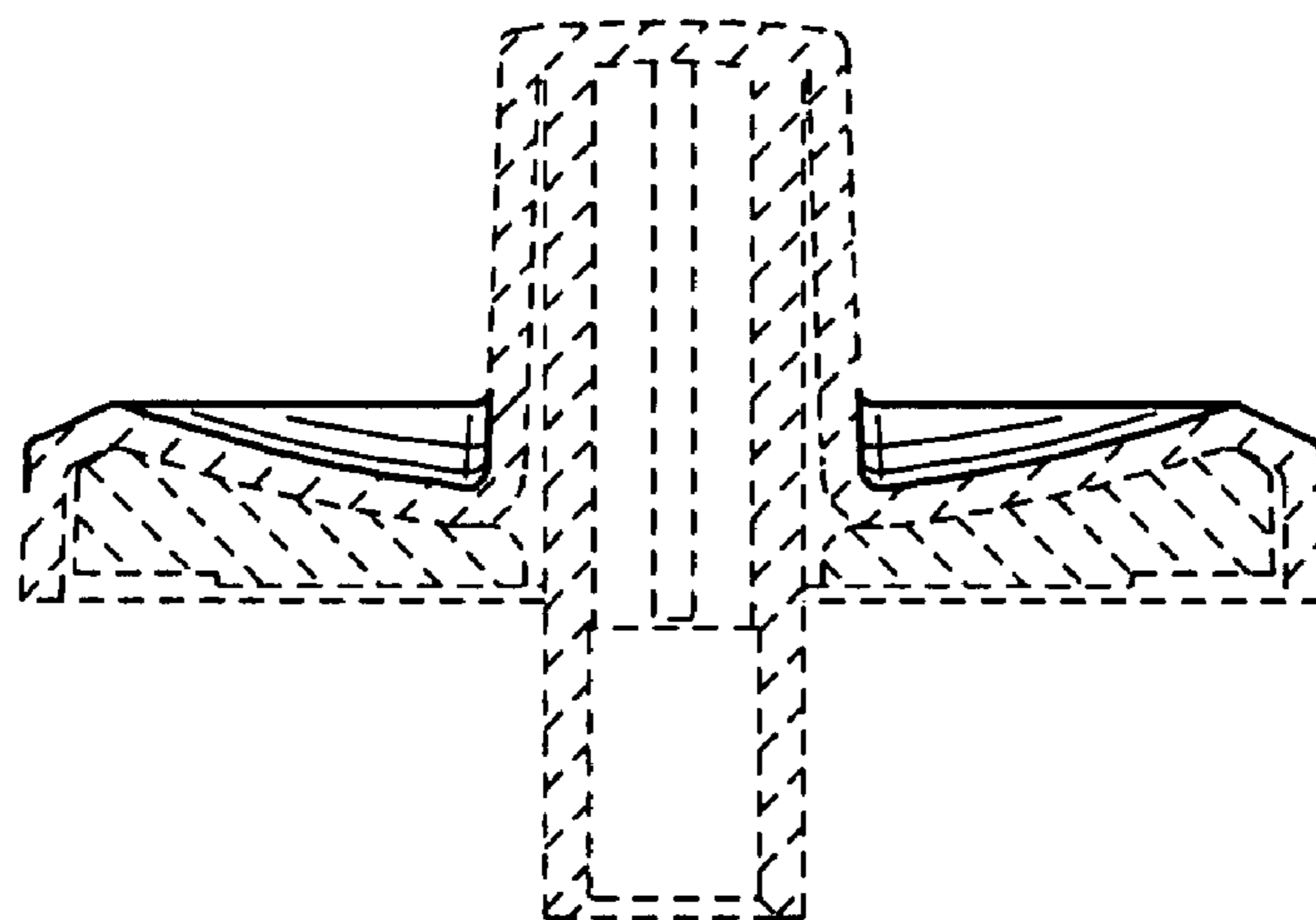


FIG. 7