



US00D563753S

(12) **United States Design Patent**
Chiarella

(10) **Patent No.: US D563,753 S**

(45) **Date of Patent: ** *Mar. 11, 2008**

(54) **HACKSAW SIGHT**

(75) Inventor: **Carlo Bruno Chiarella**, Derbyshire
(GB)

(73) Assignee: **Geoffrey Hawketts**, Morrinsville (NZ)

(**) Term: **14 Years**

(21) Appl. No.: **29/211,167**

(22) Filed: **Aug. 11, 2004**

(51) **LOC (8) Cl.** **08-03**

(52) **U.S. Cl.** **D8/96; D8/402**

(58) **Field of Classification Search** D8/95,
D8/96, 97, 98, 99, 47, 402; D1/127; D6/595,
D6/596, 601; D21/505, 797, 662, 686, 694;
D22/109; D34/32; 30/507, 509, 511, 512,
30/513, 514, 515, 516, 517, 162, 155
See application file for complete search history.

(56) **References Cited**

U.S. PATENT DOCUMENTS

3,259,153	A *	7/1966	Haase	141/110
D218,931	S *	10/1970	Quinn	D22/109
4,121,831	A *	10/1978	Greene	273/160
D318,200	S *	7/1991	Opp et al.	D6/491
D336,134	S *	6/1993	Kalatsky	D24/190
5,221,223	A *	6/1993	Kao	446/85
D343,754	S *	2/1994	Pierce et al.	D6/601
D357,603	S *	4/1995	Wolff	D6/449
D380,361	S *	7/1997	Holway	D8/14

D392,015	S *	3/1998	Emerson	D22/109
5,762,529	A *	6/1998	Nizza	446/85
D404,091	S *	1/1999	Nizza	D21/505
D441,206	S *	5/2001	Olofson	D6/351
D441,823	S *	5/2001	Blackhurst	D21/797
D495,116	S *	8/2004	Trocme	D1/127
D517,347	S *	3/2006	Hamilton et al.	D6/449

* cited by examiner

Primary Examiner—Philip S. Hyder

(74) *Attorney, Agent, or Firm*—Bell, Boyd & Lloyd LLP

(57) **CLAIM**

The ornamental design for a hacksaw sight, as shown and described herein.

DESCRIPTION

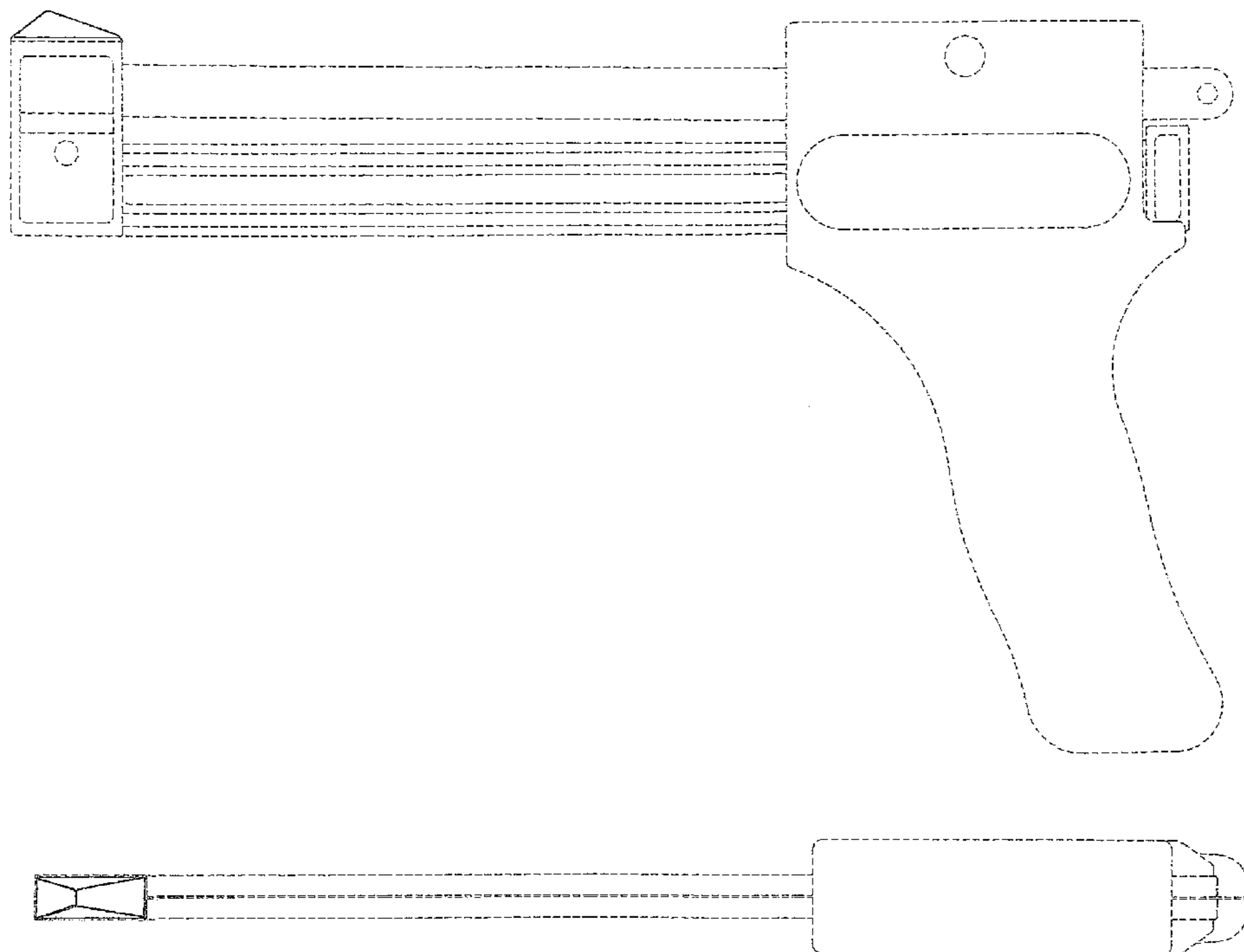
FIG. 1 illustrates a side view of the hacksaw sight of the present invention with the remainder of the hacksaw shown in phantom.

FIG. 2 illustrates a top plan view of the hacksaw sight of the present invention with the remainder of the hacksaw shown in phantom; and,

FIG. 3 illustrates an end view of the hacksaw sight of the present invention with the remainder of the hacksaw shown in phantom.

The phantom portions of the disclosure are for illustrative purposes only and form no part of the claimed design.

1 Claim, 3 Drawing Sheets



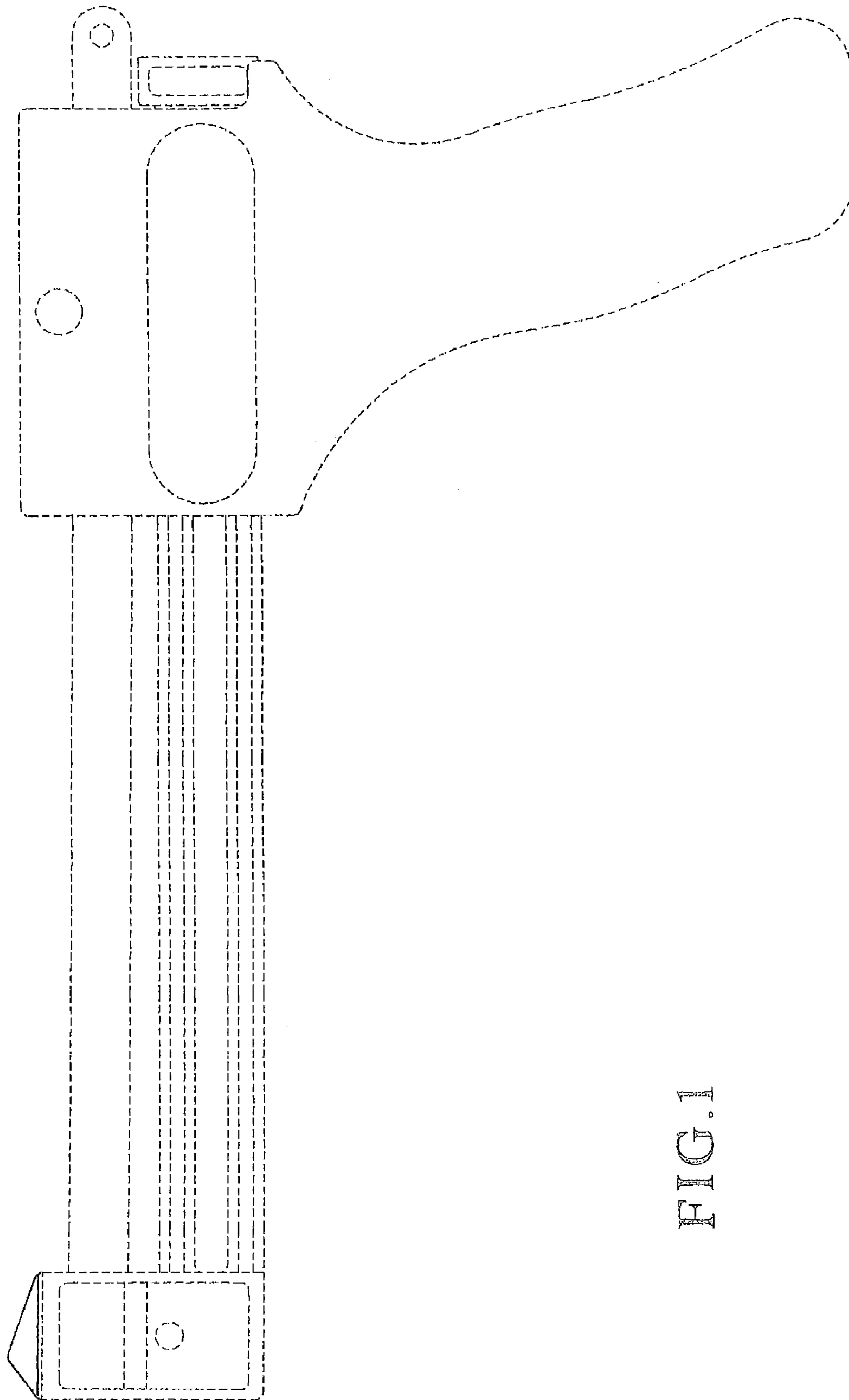


FIG. 1

FIG. 2

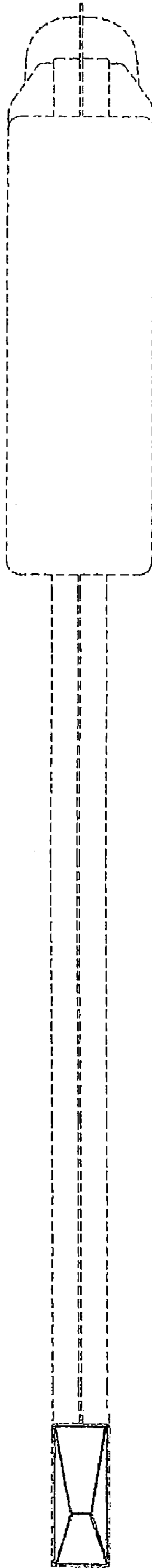


FIG. 3

