



US00D563751S

(12) **United States Design Patent**  
**Lanz**

(10) **Patent No.:** **US D563,751 S**

(45) **Date of Patent:** **\*\* Mar. 11, 2008**

(54) **SOCKET MOUNT, ANGLE ADJUSTABLE  
TOOL HOLDER FOR EXTENSION POLES**

(76) Inventor: **Donald D. Lanz**, 15657 S. Neibur Rd.,  
Oregon City, OR (US) 97045

(\*\*) Term: **14 Years**

(21) Appl. No.: **29/264,837**

(22) Filed: **Aug. 18, 2006**

(51) **LOC (8) Cl.** ..... **08-05**

(52) **U.S. Cl.** ..... **D8/71**

(58) **Field of Classification Search** ..... D8/70-74,  
D8/349, 354, 355, 373, 395, 14; D3/315;  
D6/553; D15/130, 132, 135, 136, 138-141,  
D15/144.1, 144.2; D19/78; 206/349, 372,  
206/373; 211/70.1, 70.6; 220/696; 294/19.1,  
294/27.1, 86.4; 299/104, 106; 16/429; 29/527.1,  
29/527.5; 248/229.15  
See application file for complete search history.

(56) **References Cited**

**U.S. PATENT DOCUMENTS**

3,407,424	A *	10/1968	Lanzarone et al.	15/145
4,407,039	A *	10/1983	Moss	15/144.2
4,742,595	A *	5/1988	Isaacs	15/105
5,099,539	A *	3/1992	Forester	15/144.3
5,112,156	A *	5/1992	Boyer	403/287
5,502,864	A *	4/1996	Sorenson	15/230.11
D436,304	S *	1/2001	Brown	D8/71
6,260,238	B1 *	7/2001	MacMillan	16/429
6,339,979	B1 *	1/2002	Chiang	81/177.2
6,367,121	B1 *	4/2002	MacMillan	16/110.1
6,412,138	B1 *	7/2002	MacMillan	15/144.2
D464,557	S *	10/2002	Alejandro	D8/349

6,671,930	B2 *	1/2004	Lanz	16/429
D497,530	S *	10/2004	Wu	D8/70
6,874,201	B2 *	4/2005	Ta et al.	16/429
D529,294	S *	10/2006	Van Landingham, Jr.	D4/199
2005/0193511	A1 *	9/2005	St. James et al.	15/144.4
2006/0230564	A1 *	10/2006	Jungklaus et al.	15/144.4
2007/0101546	A1 *	5/2007	Bensussan et al.	16/429

\* cited by examiner

*Primary Examiner*—T. Chase Nelson

*Assistant Examiner*—Karen Acker

(74) *Attorney, Agent, or Firm*—Olson & Olson

(57) **CLAIM**

The ornamental design for a socket mount, angle adjustable tool holder for extension poles, as shown and described.

**DESCRIPTION**

FIG. 1 is a front perspective view of a socket mount, angle adjustable tool holder for extension poles showing my new design.

FIG. 2 is a front elevational view thereof.

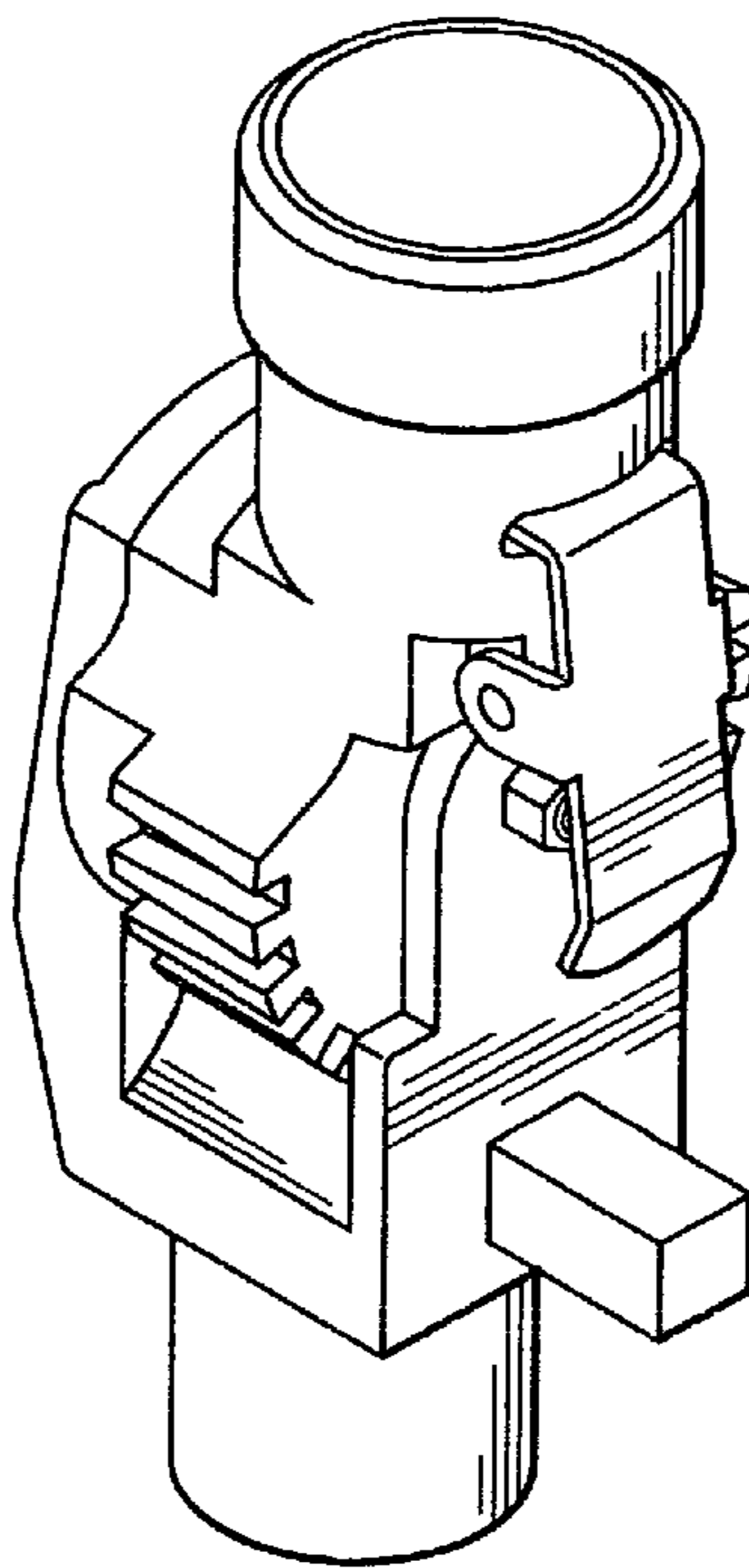
FIG. 3 is a side elevational view taken from the left of FIG. 2.

FIG. 4 is a rear elevational view taken from the opposite side of FIG. 2.

FIG. 5 is a side elevational view taken from the left of FIG. 4.

FIG. 6 is a top plan view taken from the top of FIG. 4; and, FIG. 7 is a bottom plan view taken from the bottom of FIG. 4.

**1 Claim, 2 Drawing Sheets**



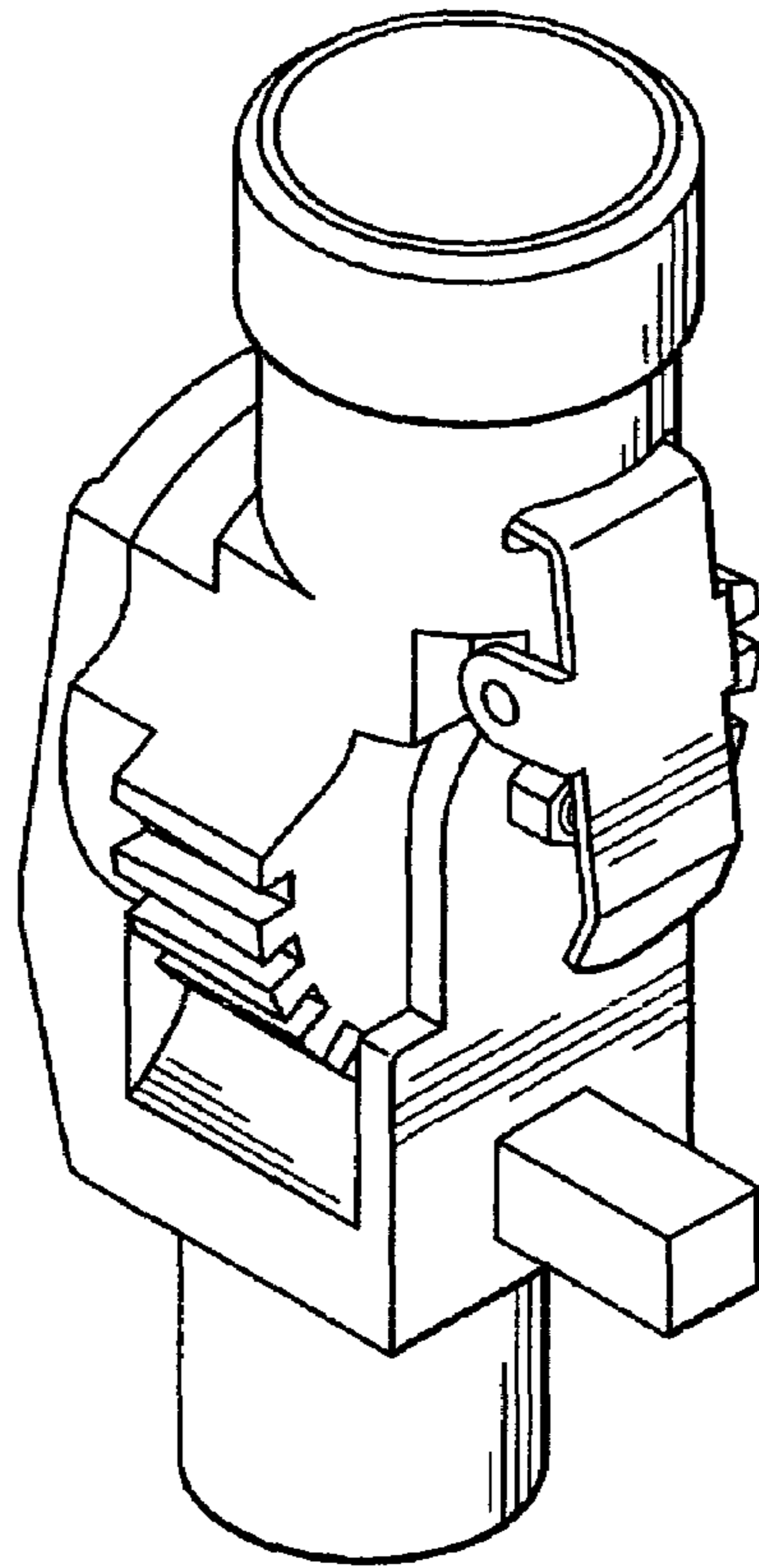


FIG.1

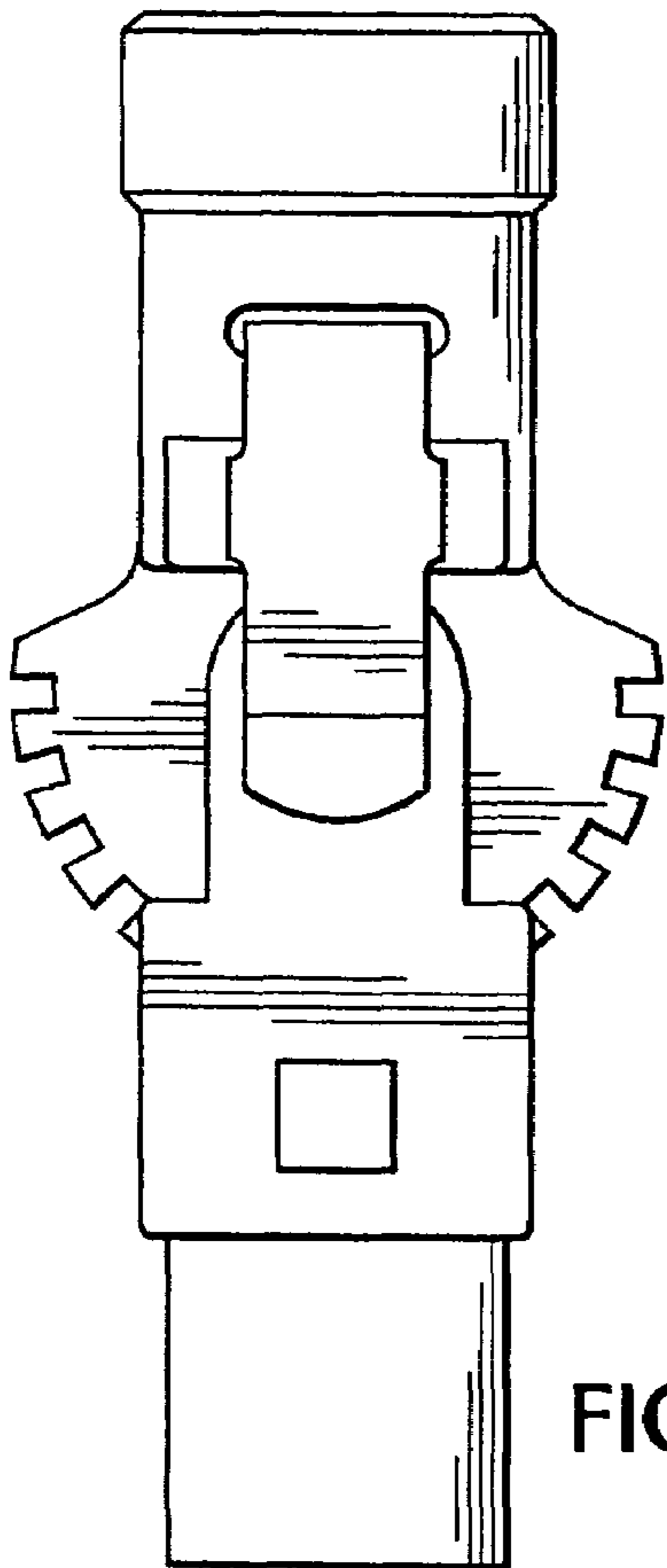


FIG.2

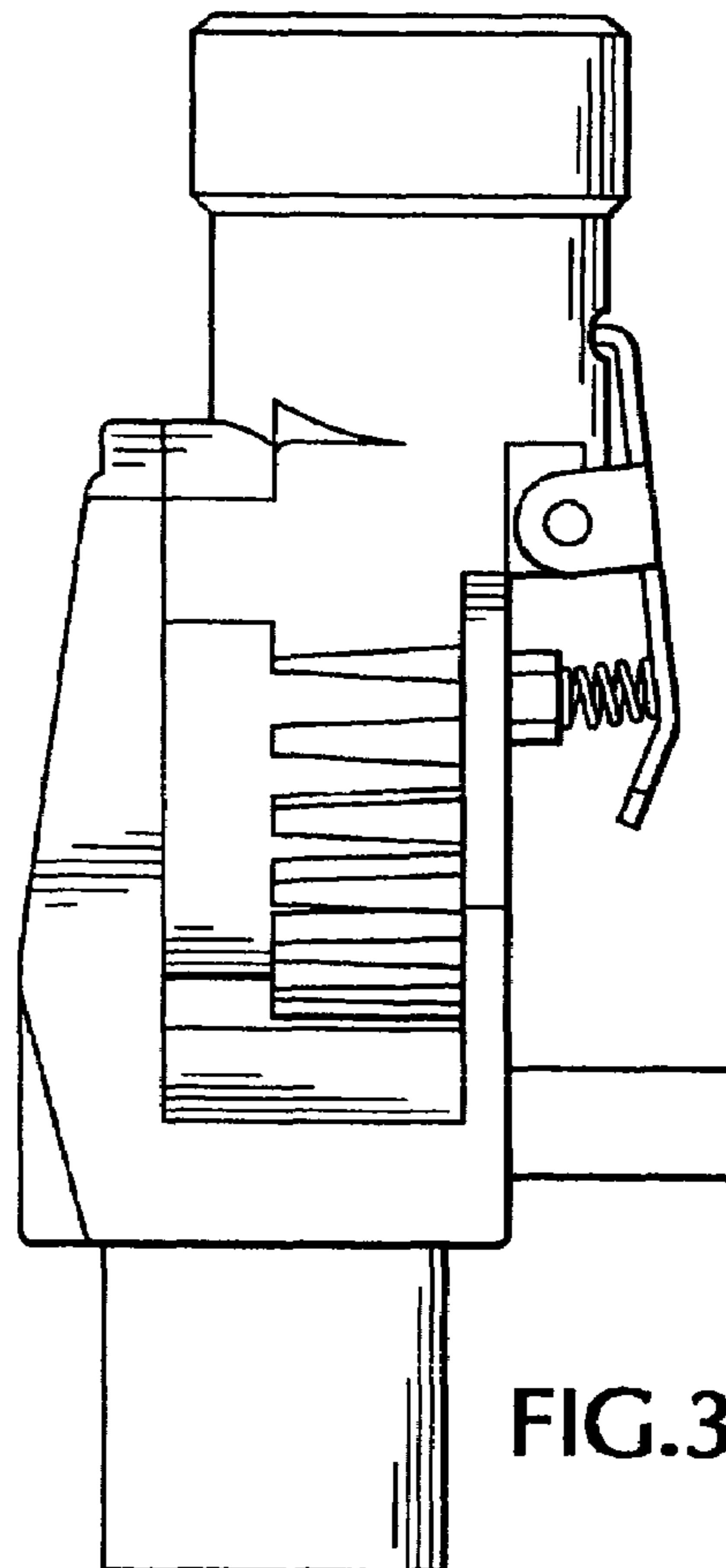


FIG.3

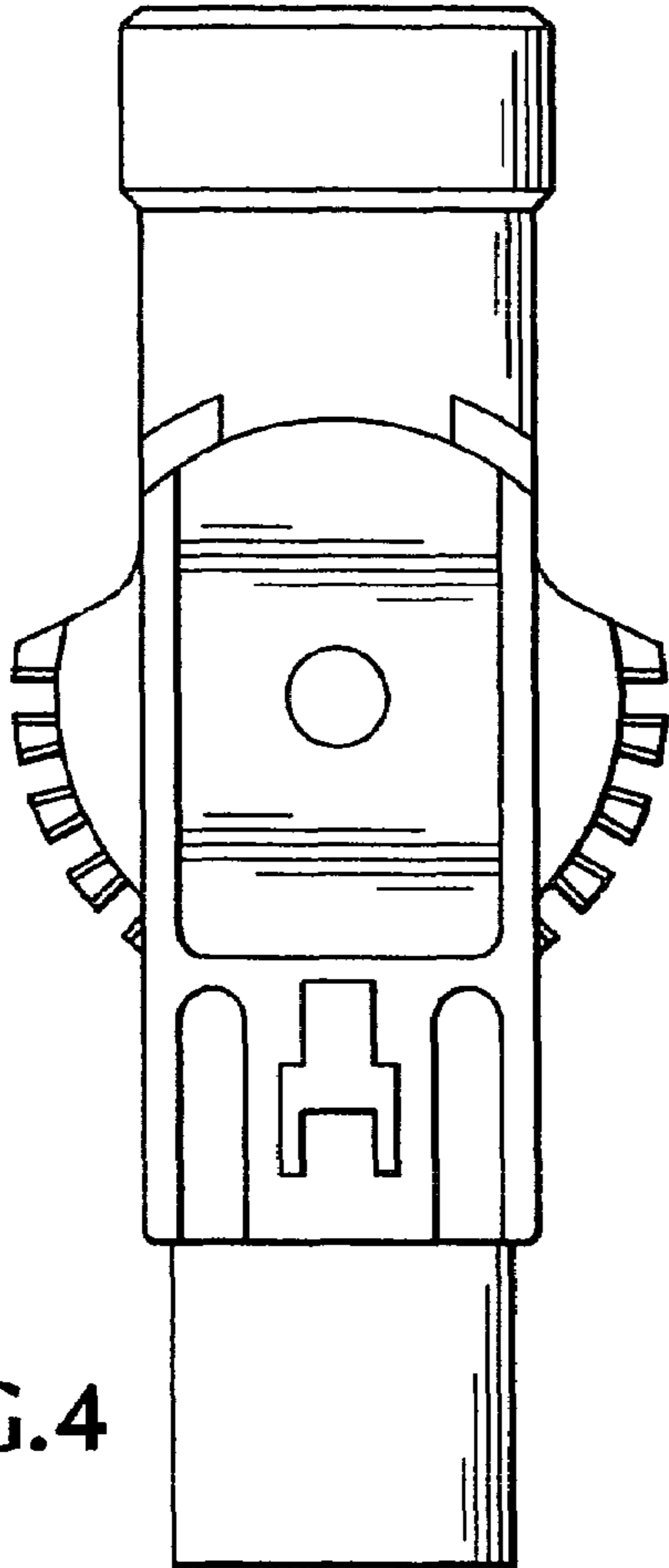


FIG. 4

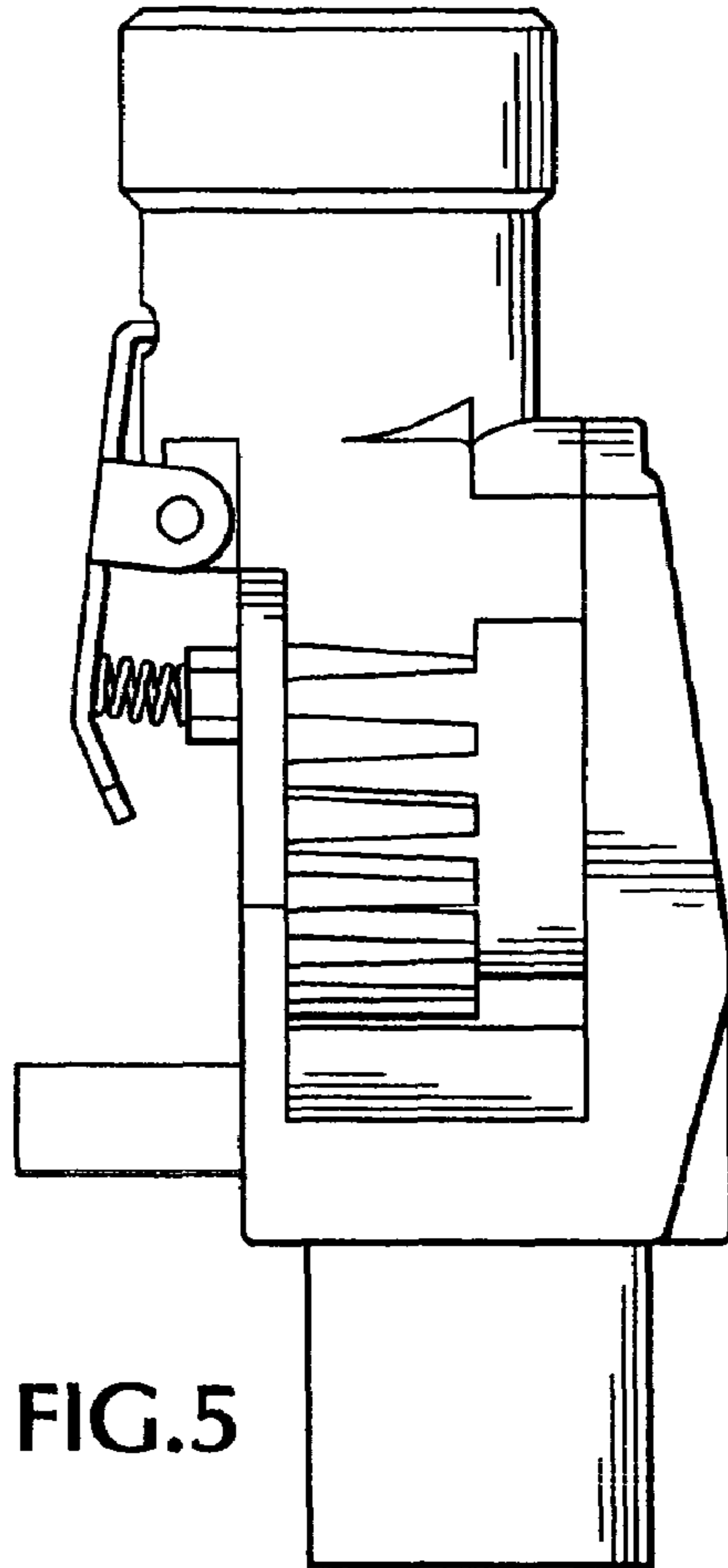


FIG. 5

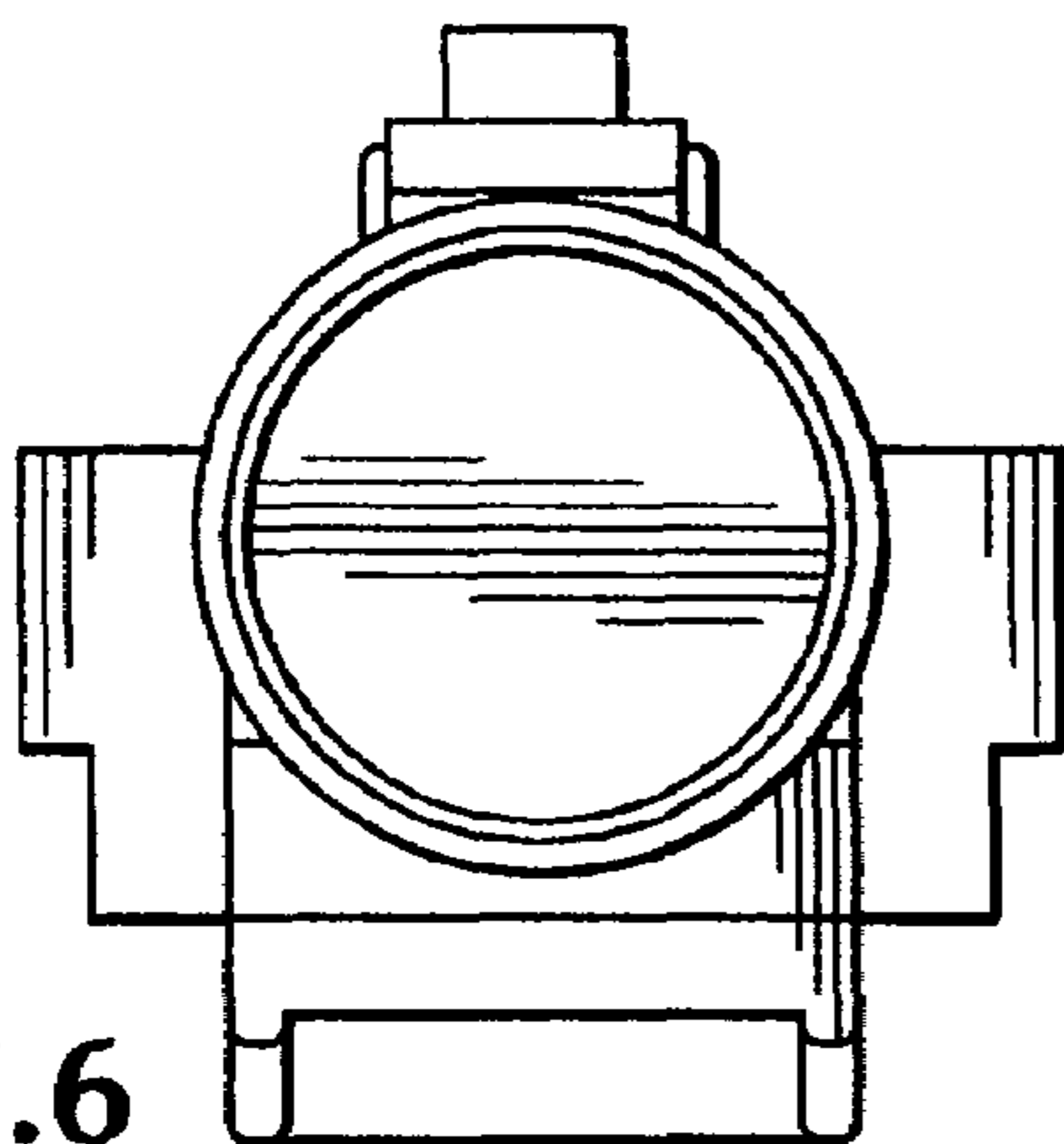


FIG. 6

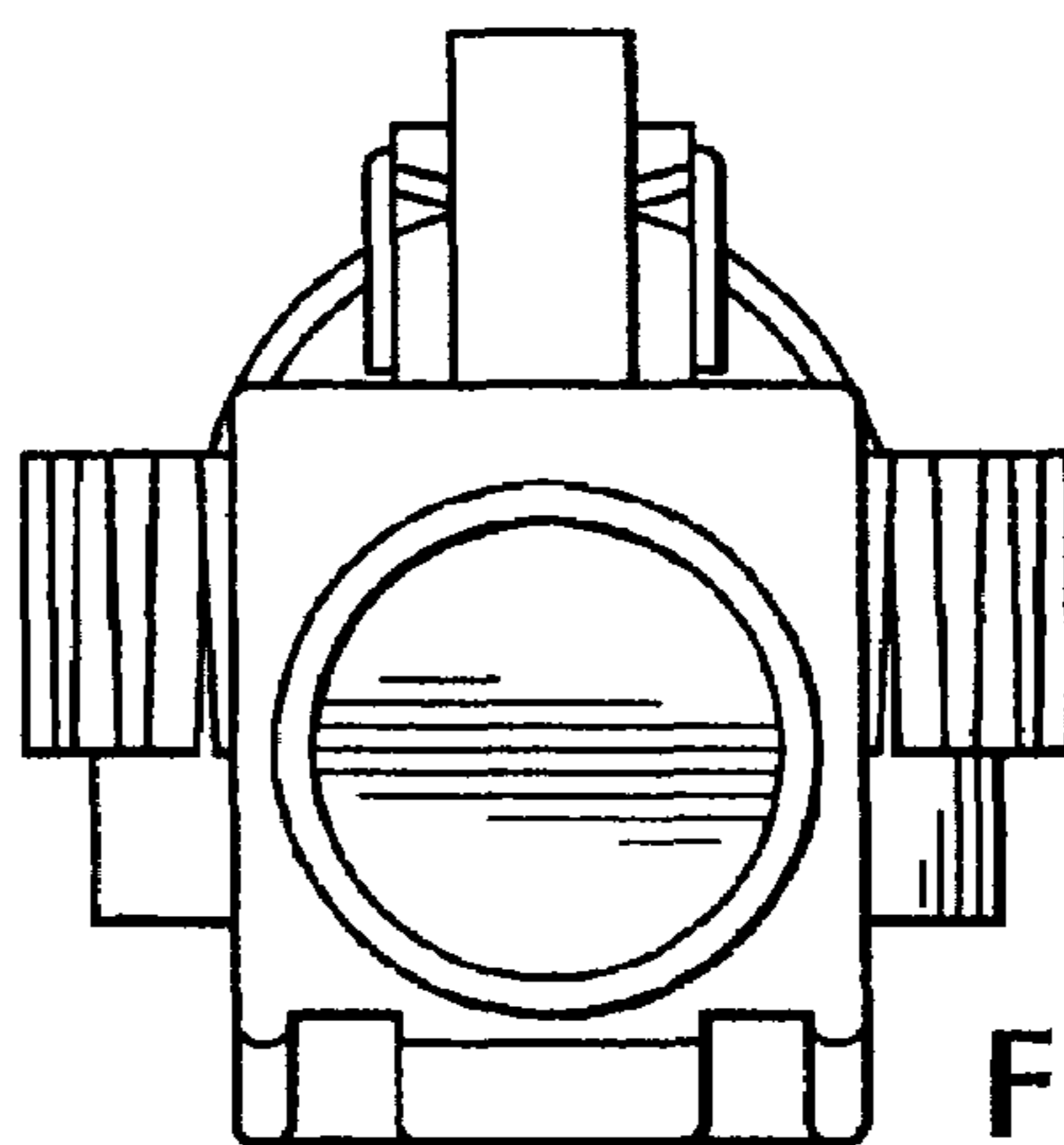


FIG. 7