



US00D563745S

(12) **United States Design Patent**
DeVries et al.

(10) **Patent No.:** **US D563,745 S**

(45) **Date of Patent:** **** Mar. 11, 2008**

(54) **LAWNMOWER ADJUSTMENT TOOL**

(76) Inventors: **Charles F. DeVries**, 804 Bay Rd.,
Queensbury, NY (US) 12804; **Charles**
D. DeVries, 100 Montcalm St., Lake
George, NY (US) 12845

(**) Term: **14 Years**

(21) Appl. No.: **29/265,018**

(22) Filed: **Aug. 24, 2006**

(51) **LOC (8) Cl.** **08-05**

(52) **U.S. Cl.** **D8/52**

(58) **Field of Classification Search** D8/39,
D8/40, 43, 51, 52, 55, 58; D15/14, 17; 29/218,
29/221.5, 221.6, 223, 268, 270-274; 81/300,
81/385, 386, 389, 390, 393, 394, 405, 407,
81/409, 411, 415, 416, 418, 419, 424.5, 426,
81/426.5

See application file for complete search history.

(56) **References Cited**

U.S. PATENT DOCUMENTS

292,643	A *	1/1884	Friend	81/424.5
321,133	A *	6/1885	Osbourne	81/424.5
768,161	A *	8/1904	Thompson	81/426.5
891,509	A *	6/1908	Tanner	81/424.5
1,196,703	A	8/1916	Kraut	
1,332,726	A *	3/1920	Hobbs	81/424.5
1,588,352	A *	6/1926	Grosvenor	81/426
1,617,703	A *	2/1927	Christianson	81/415
1,775,022	A *	9/1930	Dodge	81/426.5

2,906,155	A	9/1959	Miller	
3,181,340	A *	5/1965	Gruetzmacher	81/426
3,261,243	A	7/1966	Ellison	
4,084,457	A	4/1978	Berg	
D251,769	S *	5/1979	Dobias	D8/58
4,315,339	A	2/1982	Lightner	
4,457,033	A	7/1984	Lightner	
5,119,665	A	6/1992	Stafford	
5,168,592	A	12/1992	Jee	
5,316,512	A *	5/1994	Ell	81/426.5
D350,465	S *	9/1994	Walsky	D8/52
5,855,048	A *	1/1999	Synowicki et al.	81/424.5

* cited by examiner

Primary Examiner—Cathron Brooks

Assistant Examiner—Deanna Fluegeman

(74) *Attorney, Agent, or Firm*—Richard L. Mikesell

(57) **CLAIM**

The ornamental design for a lawnmower adjustment tool, as shown and described.

DESCRIPTION

FIG. 1 is a Top Right perspective view of the ornamental design of the instant invention;

FIG. 2 is a cross sectional view taken through lines 2—2 on FIG. 1; and,

FIG. 3 is a detail elevation view of the reverse side of the tool, illustrating a slot with edges of the handles visible therethrough.

1 Claim, 1 Drawing Sheet

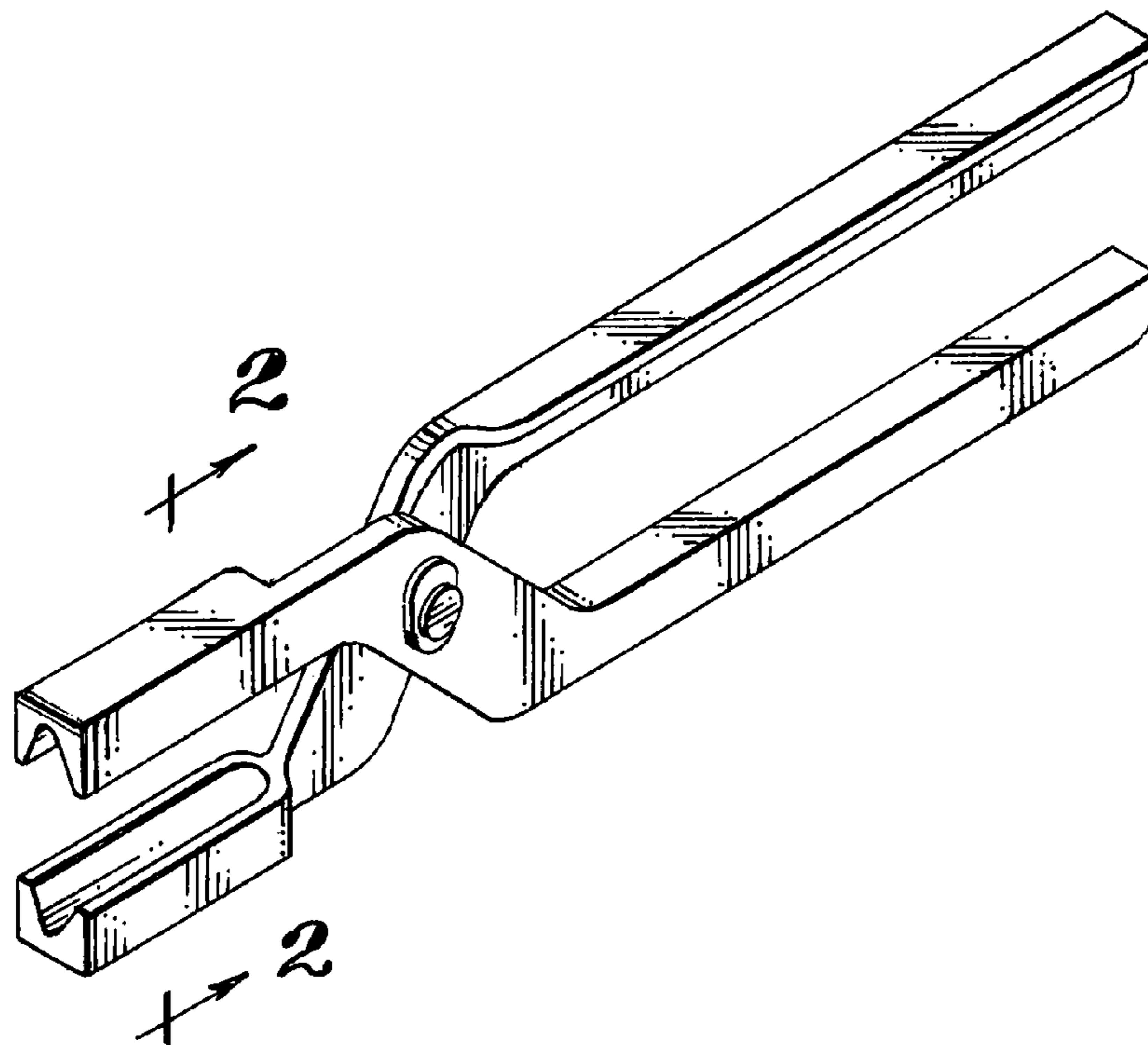


FIG. 1

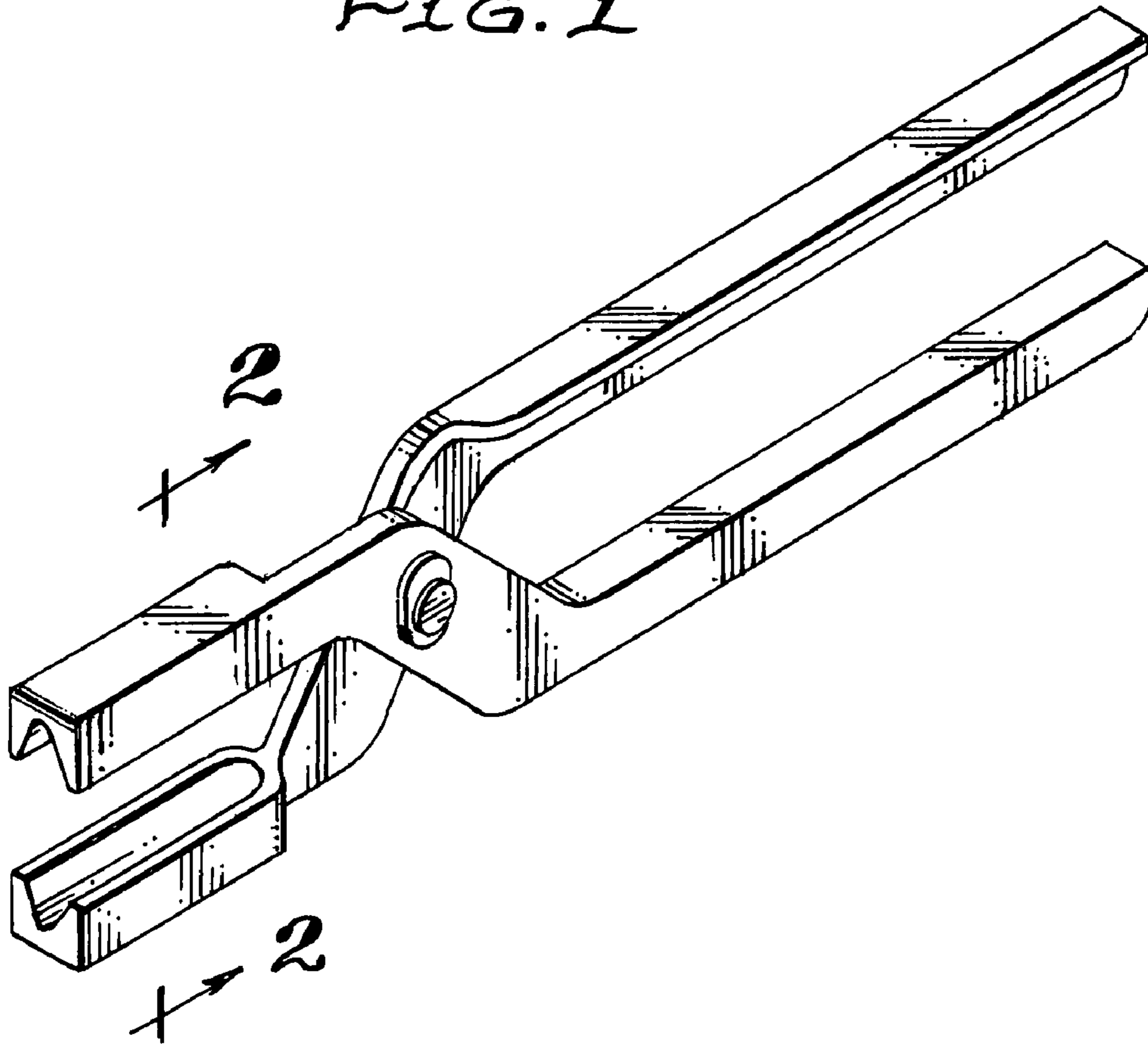


FIG. 2

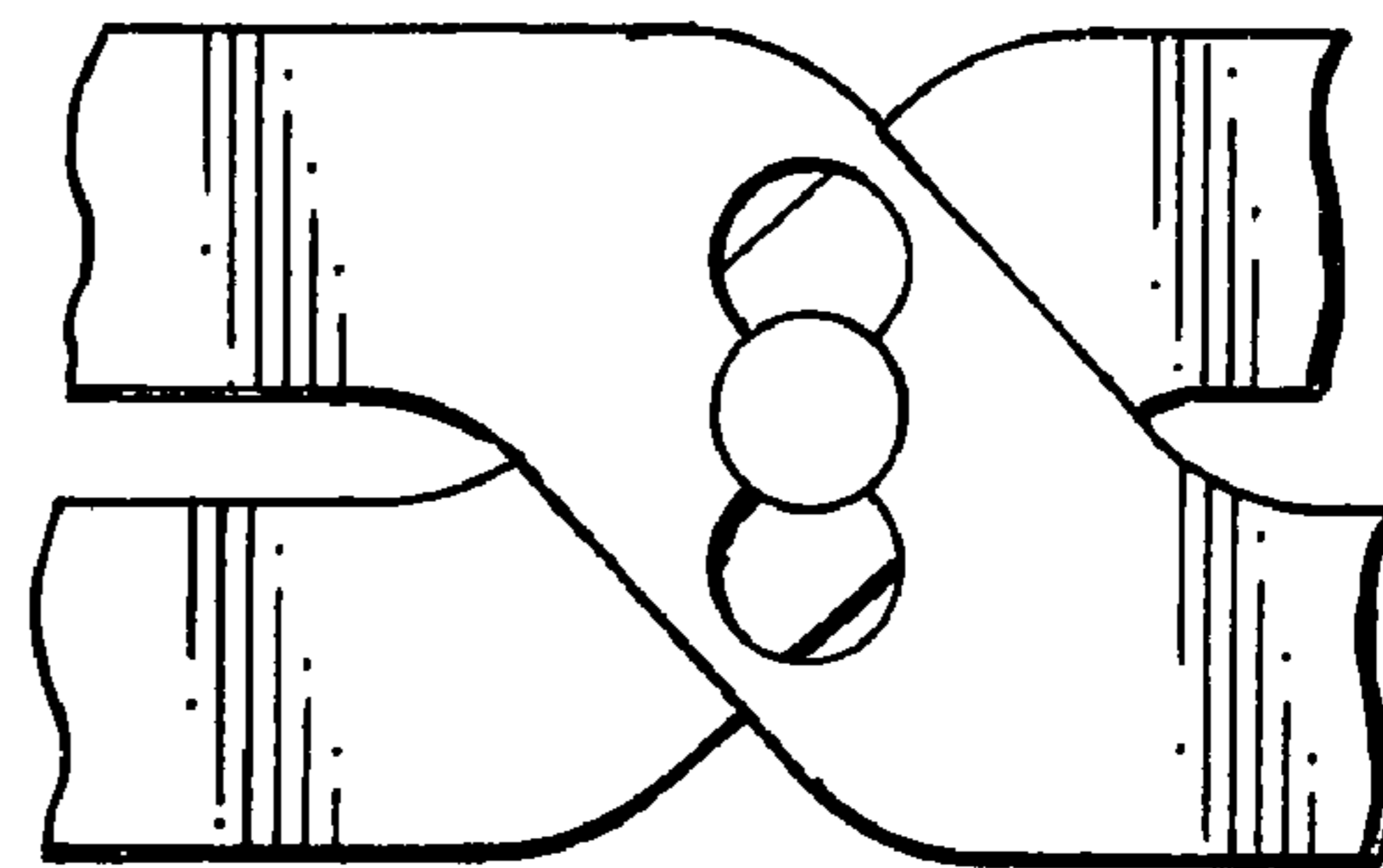
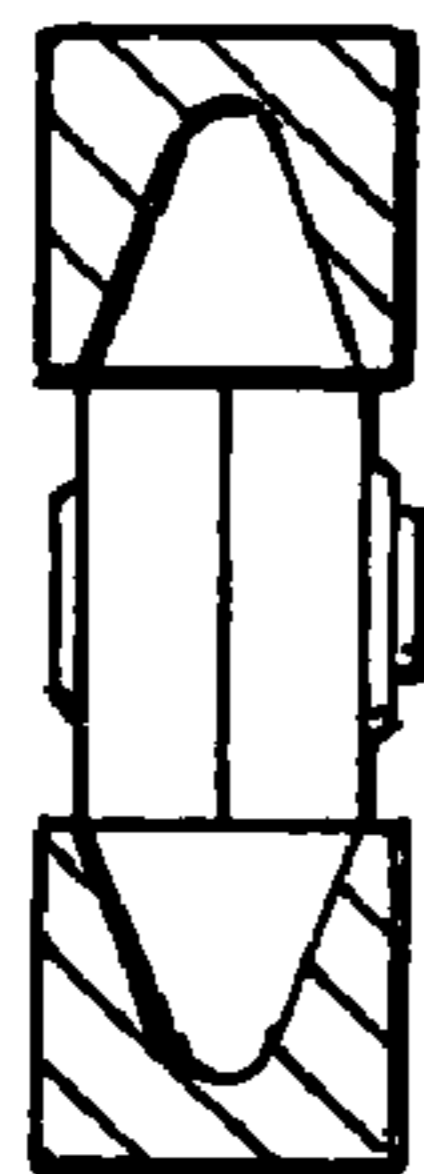


FIG. 3