



US00D563744S

(12) **United States Design Patent**
Adwar

(10) **Patent No.:** **US D563,744 S**

(45) **Date of Patent:** **** Mar. 11, 2008**

(54) **STONE SPACER WEDGE**

(76) **Inventor:** **Robert Z. Adwar**, 1040 Tantra Park
Cir., Boulder, CO (US) 80305

(**) **Term:** **14 Years**

(21) **Appl. No.:** **29/253,768**

(22) **Filed:** **Feb. 14, 2006**

(51) **LOC (8) Cl.** **08-05**

(52) **U.S. Cl.** **D8/47**

(58) **Field of Classification Search** D8/14,
D8/45, 47, 88, 89, 98, 107, 402; 254/104;
33/526

See application file for complete search history.

(56) **References Cited**

U.S. PATENT DOCUMENTS

D238,745 S *	2/1976	Hedard	D8/47
D259,619 S *	6/1981	Nicholson	D8/47
D269,494 S *	6/1983	Tremaglio et al.	D8/47
D286,008 S *	10/1986	Hillinger	D8/47
4,688,761 A *	8/1987	Wilcox	254/104
5,104,094 A *	4/1992	Womack	254/104

D406,028 S *	2/1999	Montgomery	D8/47
D410,380 S *	6/1999	Towns	D8/402
D421,374 S *	3/2000	Montgomery	D8/47

* cited by examiner

Primary Examiner—Philip S. Hyder

(74) *Attorney, Agent, or Firm*—Dorr, Carson & Birney, P.C.

(57) **CLAIM**

The ornamental design for a stone spacer wedge, as shown and described.

DESCRIPTION

FIG. 1 is an isometric view of a stone spacer wedge showing my new design.

FIG. 2 is a left side elevational view thereof.

FIG. 3 is front elevational view thereof.

FIG. 4 is a right side elevational view thereof.

FIG. 5 is a top plan view thereof.

FIG. 6 is rear elevational view thereof; and,

FIG. 7 is a bottom plan view thereof.

1 Claim, 3 Drawing Sheets

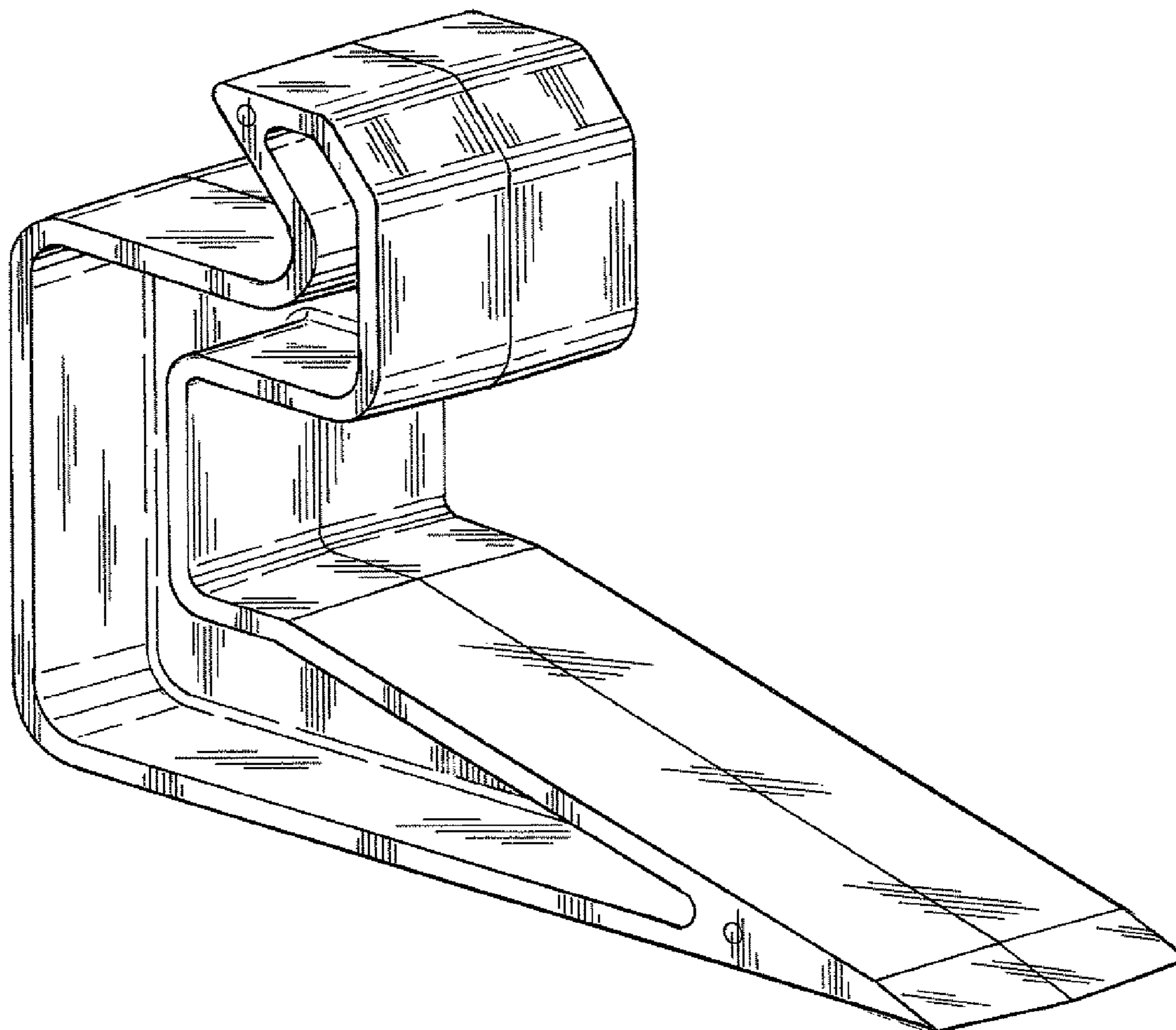


Fig. 1

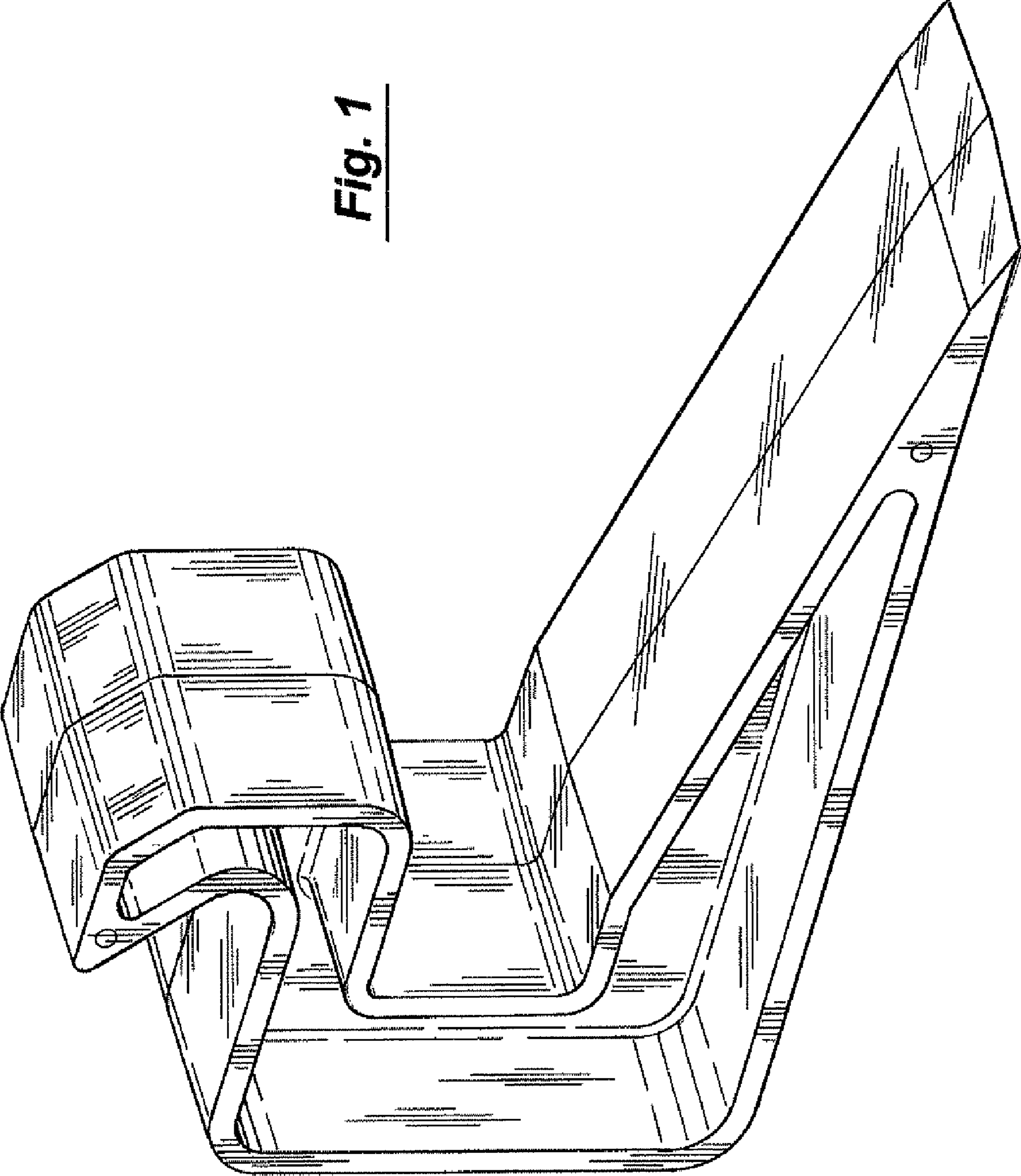


Fig. 4

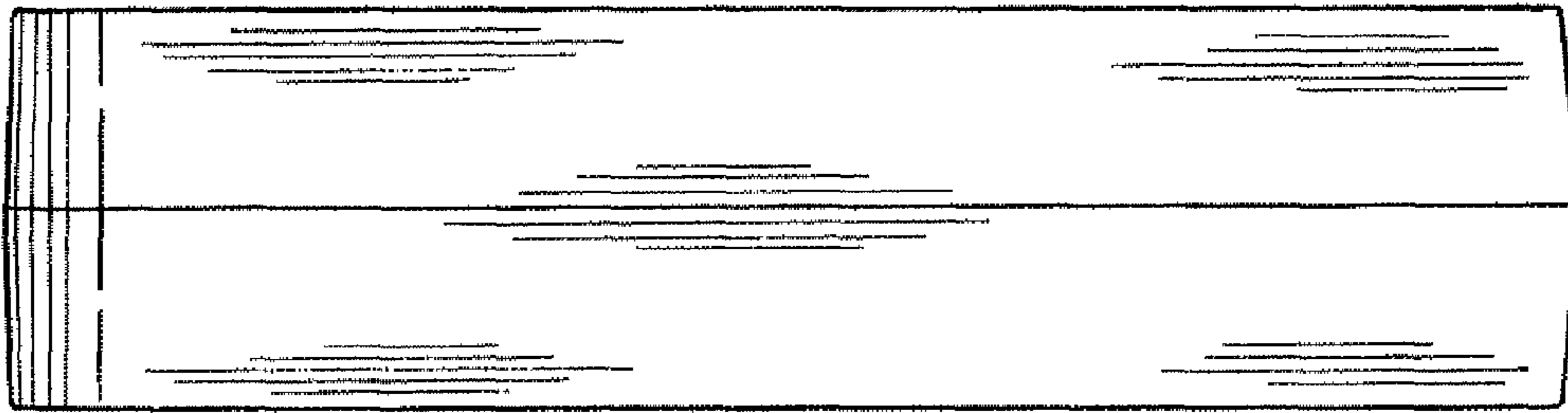


Fig. 2

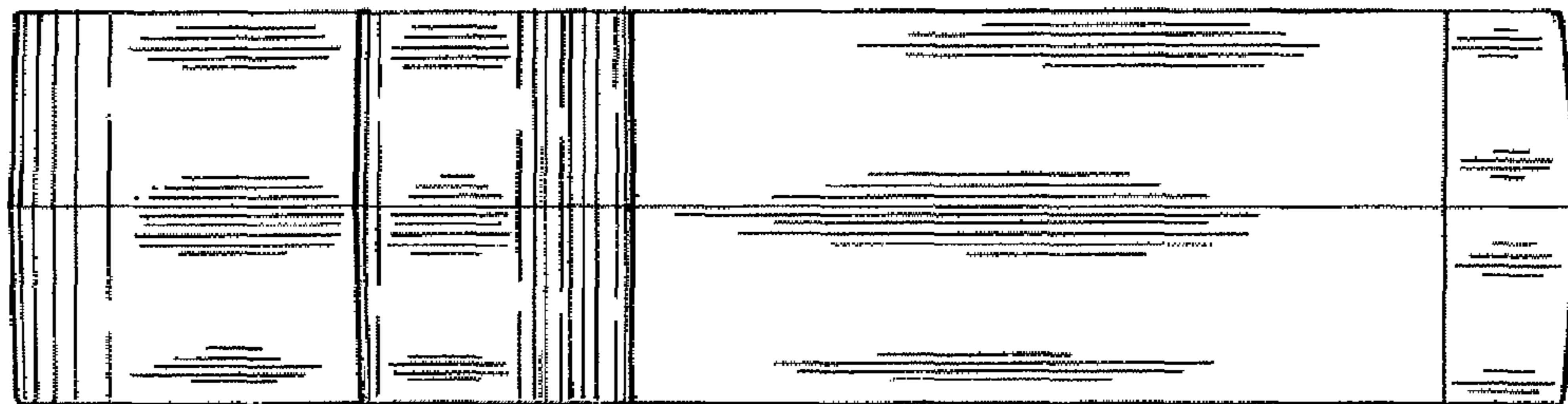


Fig. 3

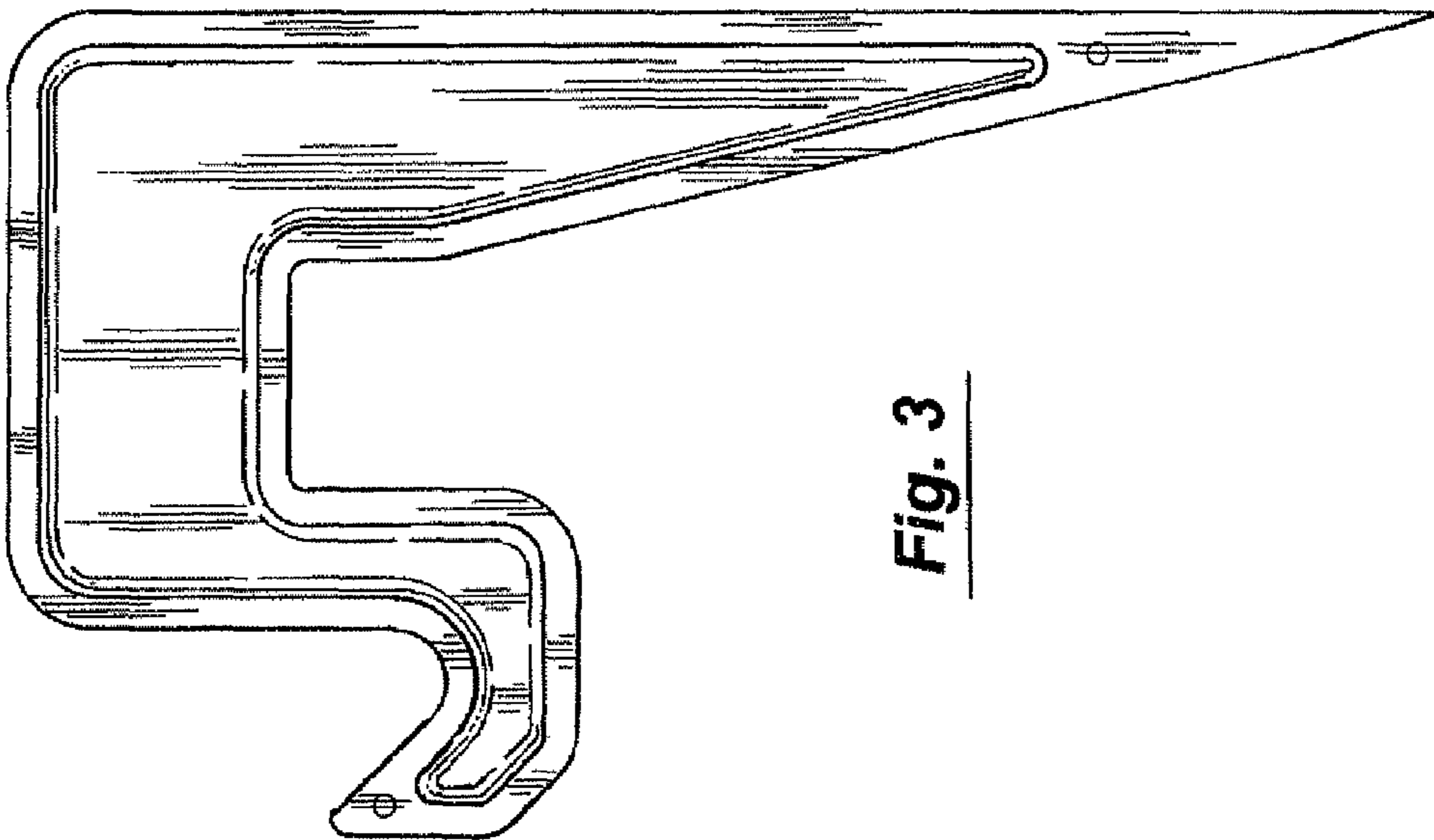


Fig. 5

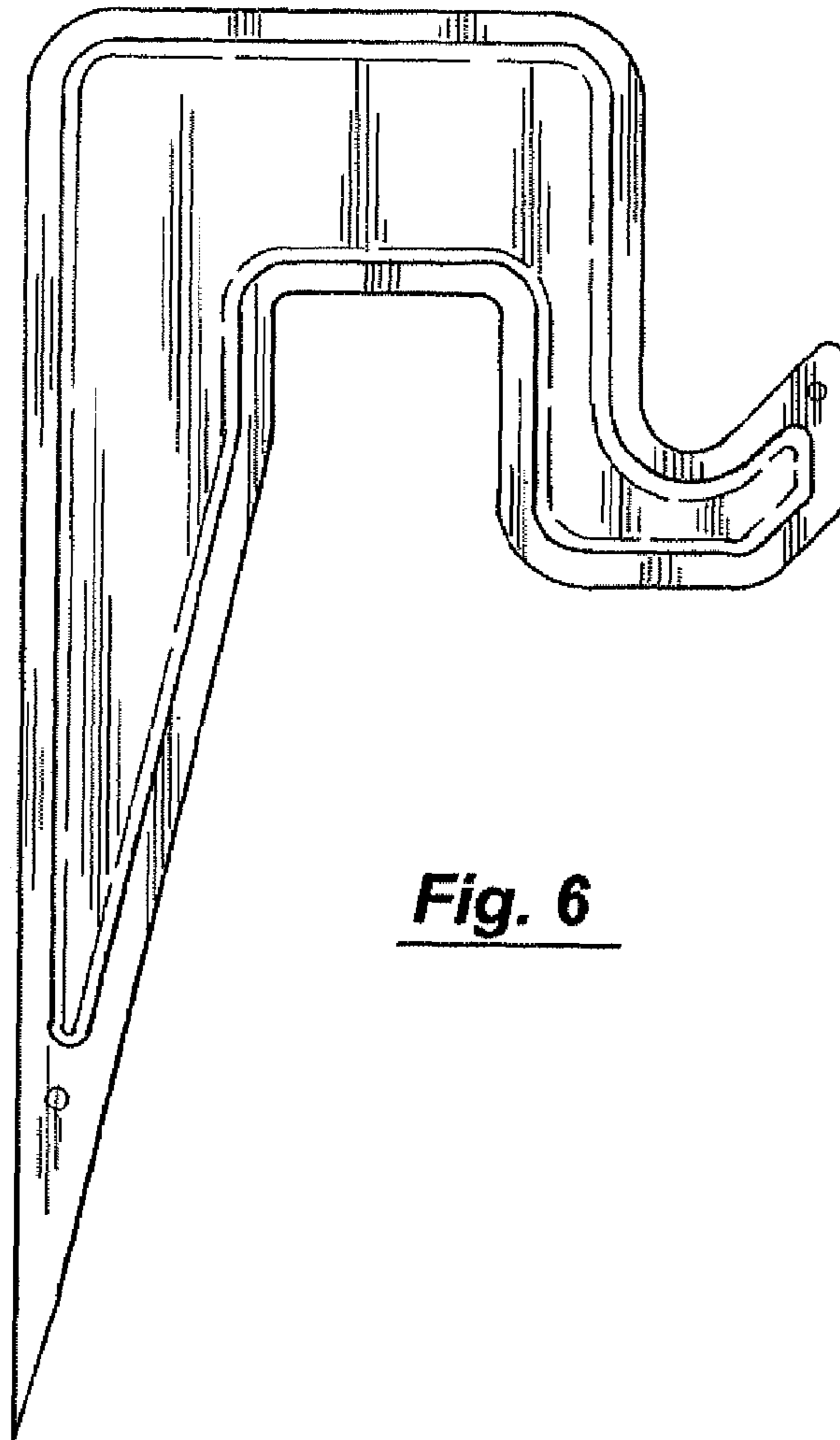
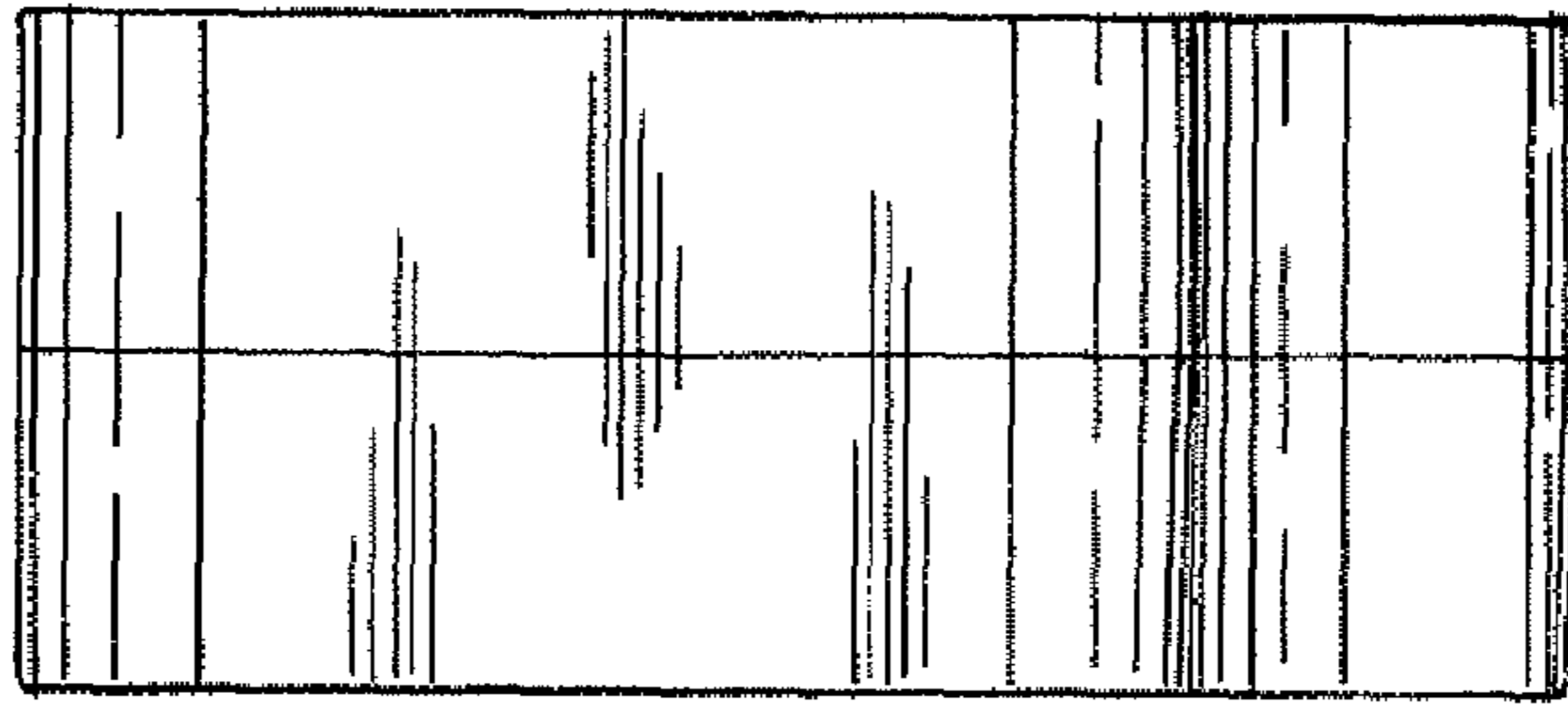


Fig. 6

Fig. 7

