



US00D563740S

(12) **United States Design Patent**
Andriolo

(10) **Patent No.:** **US D563,740 S**
(45) **Date of Patent:** **** Mar. 11, 2008**

(54) **GRASS TRIMMER**

D530,163 S * 10/2006 Xue-Feng D8/8

(75) Inventor: **Paolo Andriolo**, Vicenza (IT)

* cited by examiner

(73) Assignee: **Positec Power Tools (Suzhou) Co., Ltd.**, Jiangsu Province (CN)

Primary Examiner—Holly H. Baynham

Assistant Examiner—Sheryl Friedman

(74) *Attorney, Agent, or Firm*—Marshall, Gerstein & Borun LLP

(**) Term: **14 Years**

(21) Appl. No.: **29/234,401**

(57) **CLAIM**

(22) Filed: **Jul. 18, 2005**

The ornamental design for a grass trimmer, as shown.

(30) **Foreign Application Priority Data**

DESCRIPTION

Jan. 17, 2005 (CN) 2005 3 0080084

FIG. 1 is a perspective view of a grass trimmer in accordance with the present invention.

(51) **LOC (8) Cl.** **08-01**

FIG. 2 is a side view of the grass trimmer seen in FIG. 1

(52) **U.S. Cl.** **D8/8**

FIG. 3 is an opposite side view of the grass trimmer seen in FIG. 2

(58) **Field of Classification Search** D8/8;
56/12.7; 30/208, 209, 210, 216, 228, 276,
30/382, 383

FIG. 4 is an elevational front view of the grass trimmer

FIG. 5 is an elevational back view of the grass trimmer

See application file for complete search history.

FIG. 6 is a bottom plan view of the grass trimmer; and,

FIG. 7 is a top plan view of the grass trimmer.

(56) **References Cited**

The broken lines are for illustrative purposes only and form no part of the claimed design.

U.S. PATENT DOCUMENTS

D479,677 S * 9/2003 Van Wambeke et al. D8/8

6,871,484 B1 * 3/2005 Sartain 56/12.7

D510,512 S * 10/2005 Robson D8/8

1 Claim, 5 Drawing Sheets

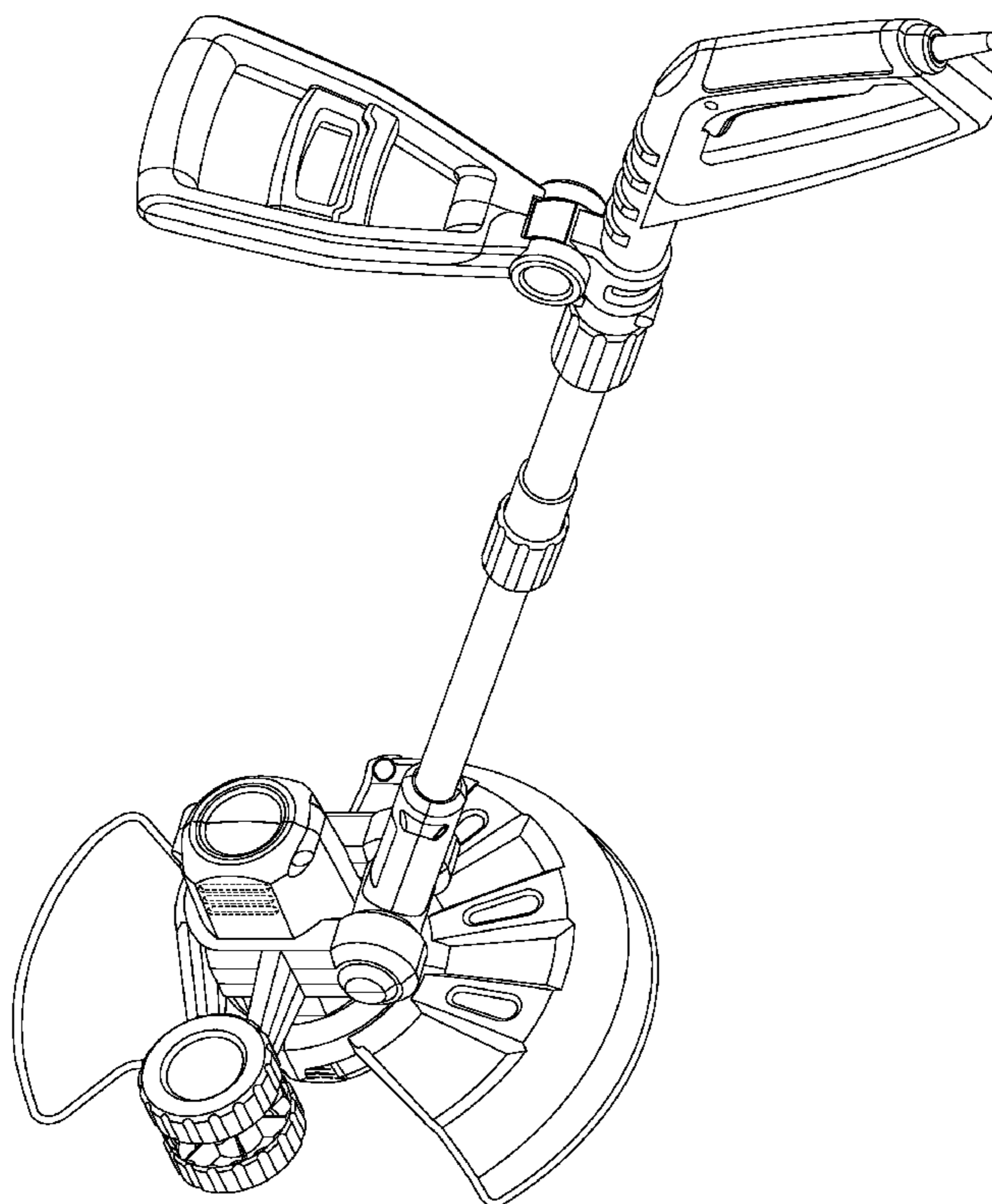


FIG. 1

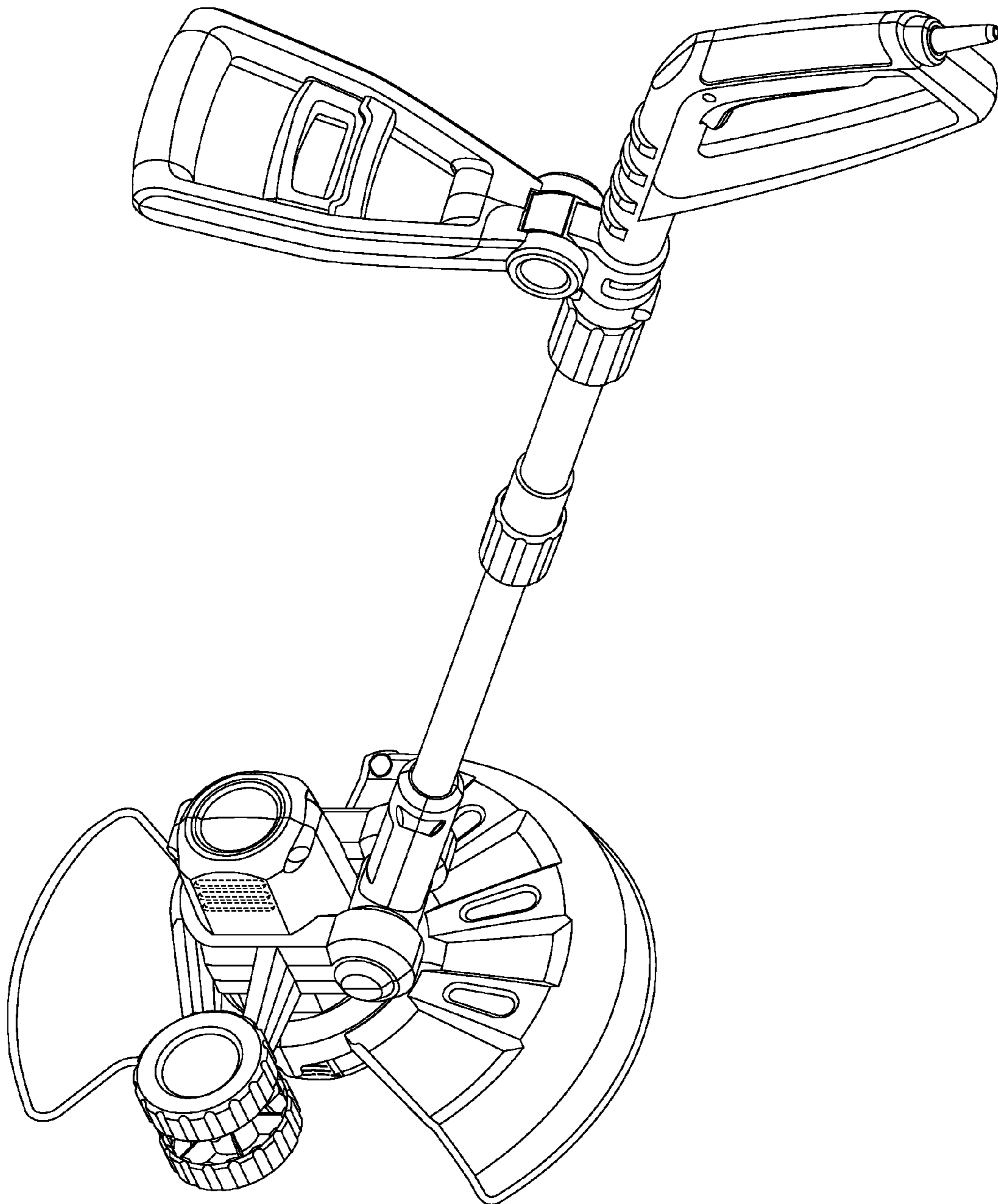


FIG. 2

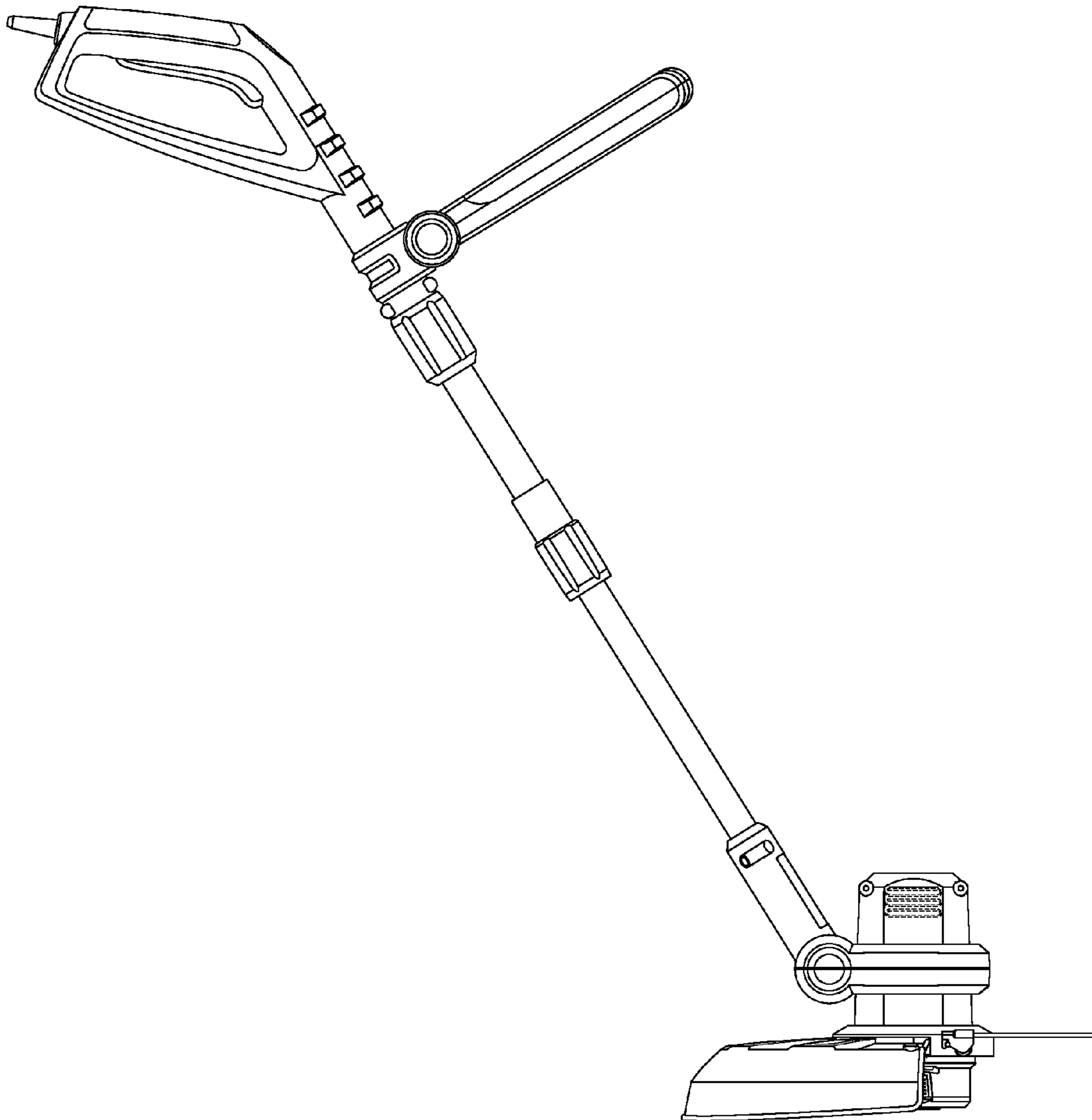


FIG. 3

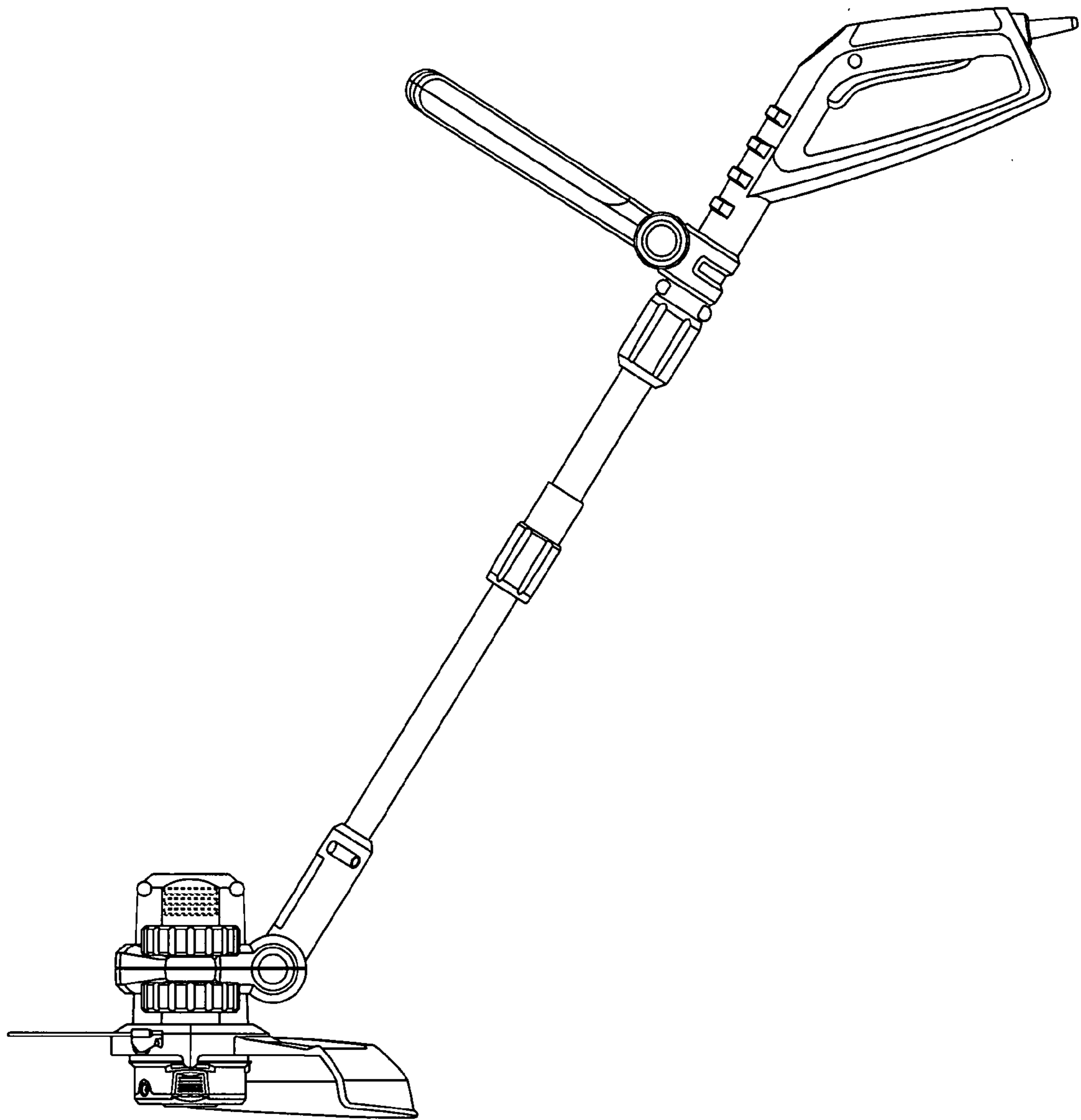


FIG. 4

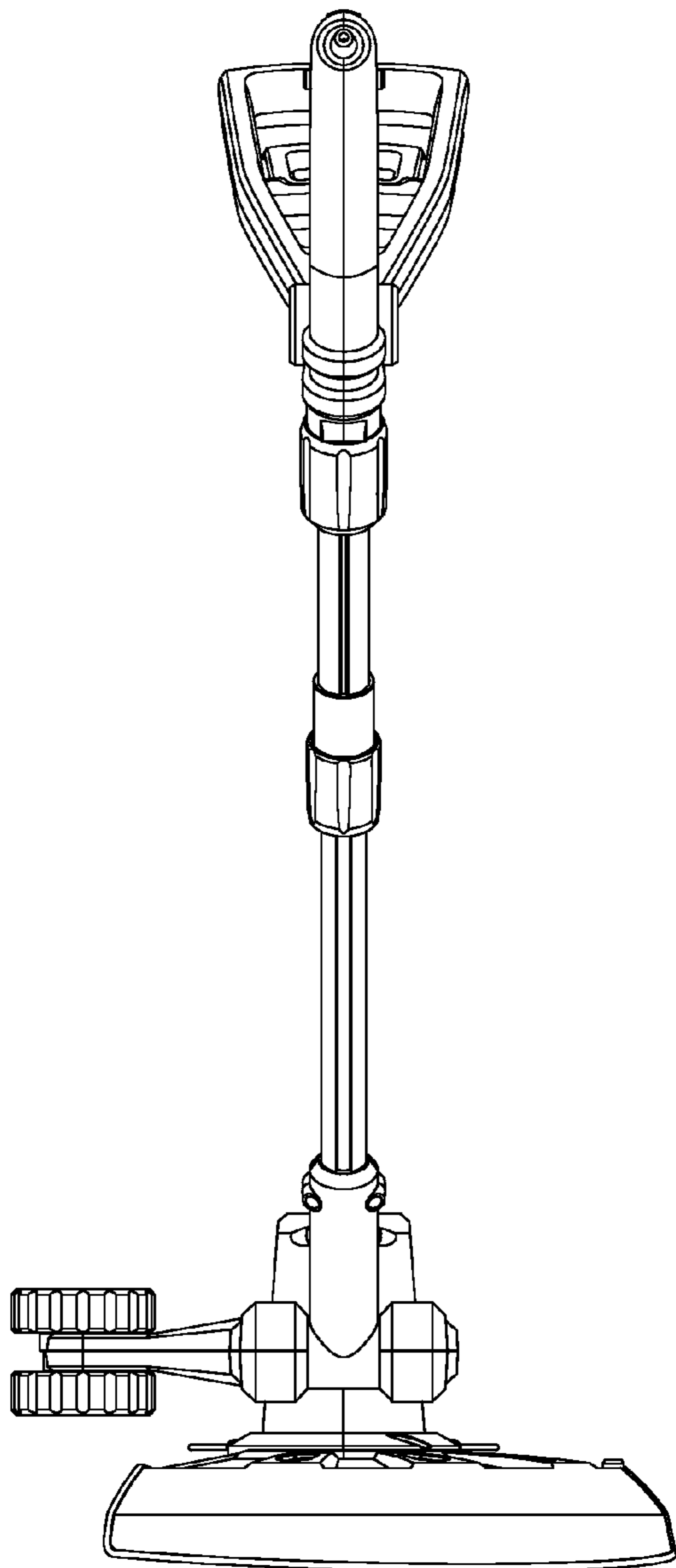


FIG. 5

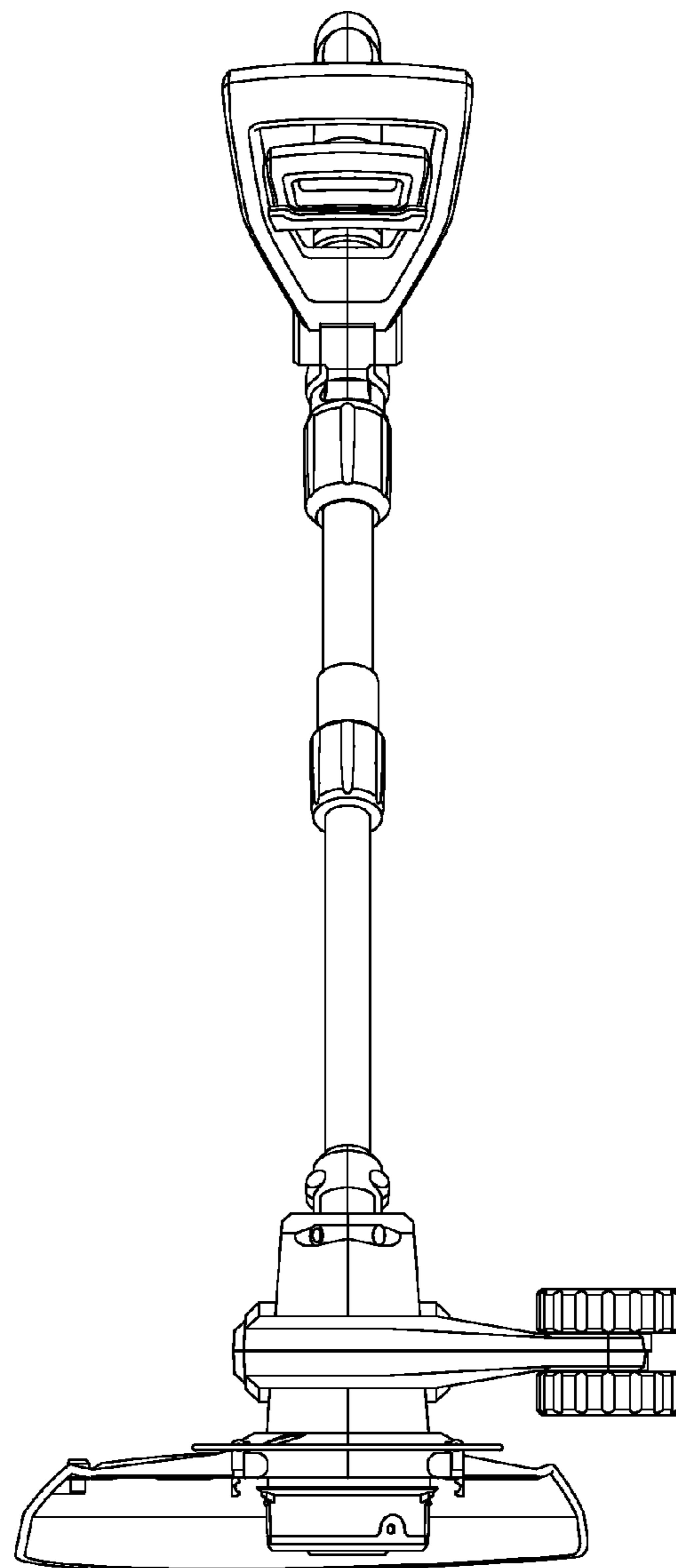


FIG. 6

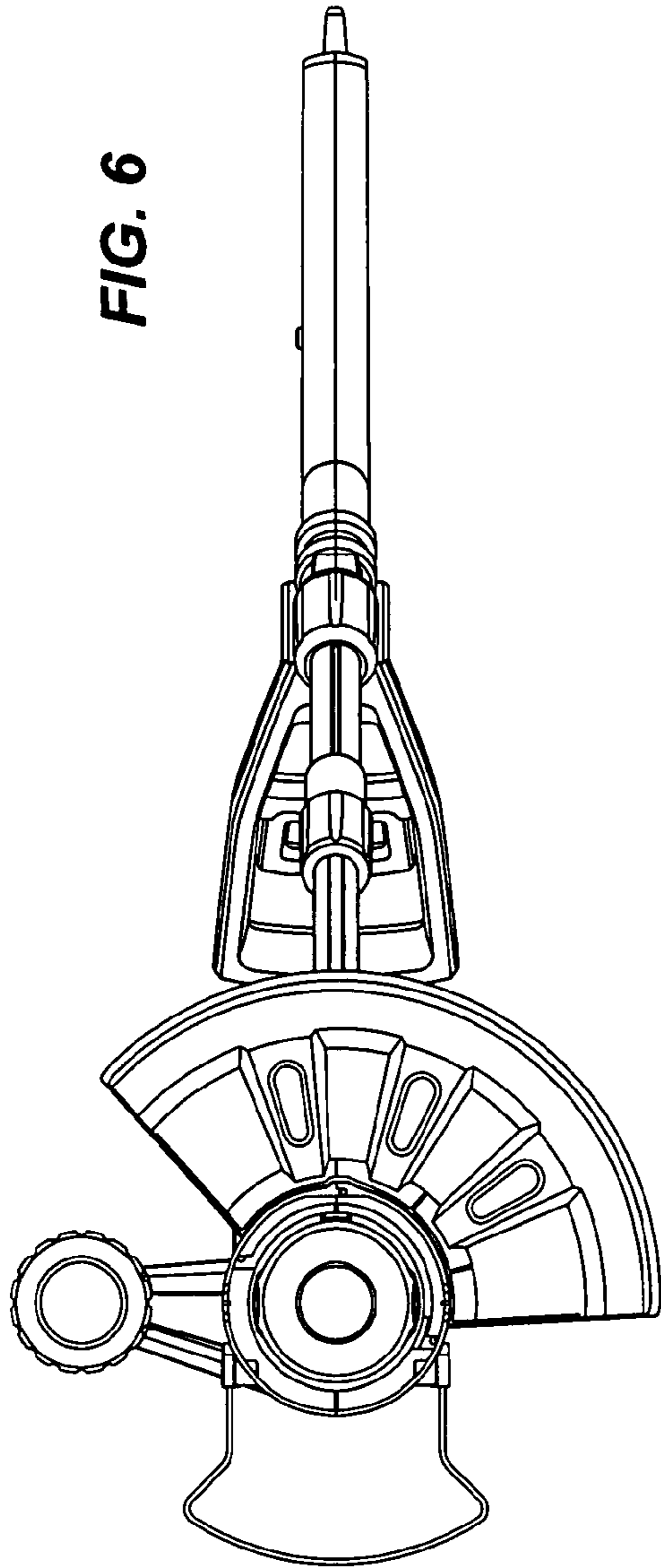


FIG. 7

