

US00D563738S

(12) **United States Design Patent**  
**Michaelian et al.**

(10) **Patent No.:** **US D563,738 S**  
(45) **Date of Patent:** **\*\* Mar. 11, 2008**

(54) **CHEESE SLICER**

(75) Inventors: **Peter Michaelian**, Tappan, NY (US);  
**Timothy Jude Kennedy**, Staten Island,  
NY (US)

(73) Assignee: **Helen of Troy Limited**, St. Michael  
(BB)

(\*\*) Term: **14 Years**

(21) Appl. No.: **29/257,387**

(22) Filed: **Apr. 4, 2006**

(51) **LOC (8) Cl.** ..... **07-04**

(52) **U.S. Cl.** ..... **D7/695**

(58) **Field of Classification Search** ..... D7/693,  
D7/695; 99/452, 537; 7/156; 30/115, 116,  
30/279.6, 279.2, 123.5, 280, 340, 282, 304,  
30/283, 343, 291, 278, 293

See application file for complete search history.

(56) **References Cited**

**U.S. PATENT DOCUMENTS**

|               |         |                |        |
|---------------|---------|----------------|--------|
| 852,107 A     | 3/1907  | Cunningham     |        |
| 890,351 A     | 6/1908  | Frank          |        |
| 1,156,652 A * | 10/1915 | Aiken .....    | 30/280 |
| 1,533,445 A   | 4/1925  | Moller         |        |
| 1,939,283 A   | 12/1933 | Shailer et al. |        |
| 2,007,012 A   | 7/1935  | Troendly       |        |
| 2,093,867 A   | 9/1937  | Fitzgerald     |        |
| D114,672 S *  | 5/1939  | Coughlin ..... | D7/695 |
| 2,280,486 A   | 4/1942  | Hendy          |        |
| 2,323,863 A   | 7/1943  | Feemster       |        |

|              |         |                      |        |
|--------------|---------|----------------------|--------|
| 2,450,502 A  | 10/1948 | Culdice              |        |
| 2,455,505 A  | 12/1948 | Lamy                 |        |
| 2,475,824 A  | 7/1949  | Devine               |        |
| 2,503,839 A  | 4/1950  | Pedersen             |        |
| 2,562,842 A  | 7/1951  | Cushman              |        |
| 2,869,230 A  | 1/1959  | Uebel                |        |
| D458,519 S * | 6/2002  | Tse .....            | D7/673 |
| 6,423,059 B1 | 7/2002  | Hanson et al.        |        |
| D479,445 S * | 9/2003  | Chang .....          | D7/695 |
| D488,362 S * | 4/2004  | Overthun et al. .... | D7/695 |

\* cited by examiner

*Primary Examiner*—Terry A Wallace

(74) *Attorney, Agent, or Firm*—Sayfarth Shaw LLP

(57) **CLAIM**

The ornamental design for a cheese slicer, as shown and described.

**DESCRIPTION**

FIG. 1 is a perspective view of a cheese slicer showing our new design, the broken lines are for illustrative purposes only and form no part of the claimed design;

FIG. 2 is an end view thereof;

FIG. 3 is an opposite end view thereof;

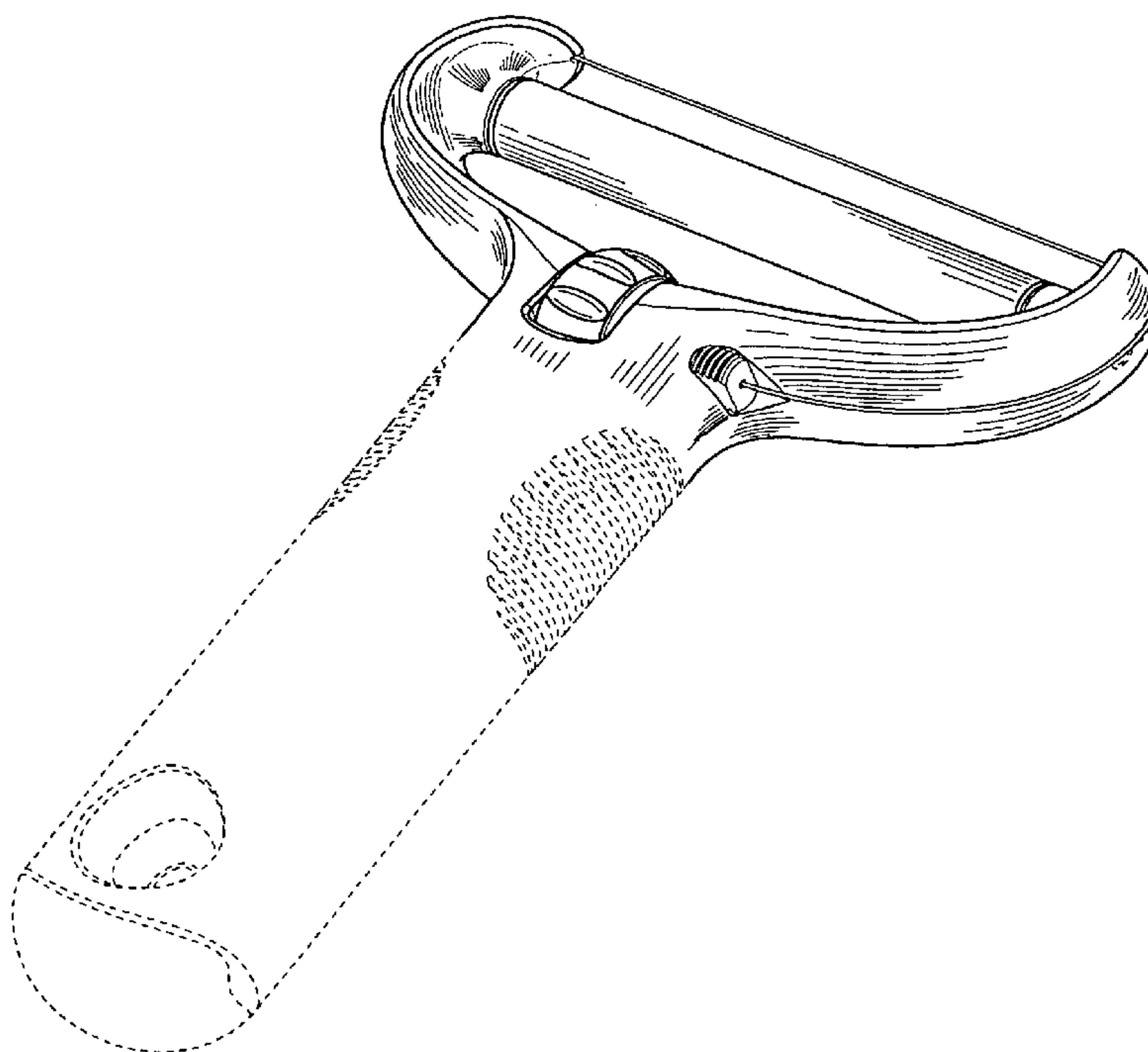
FIG. 4 is a side view thereof;

FIG. 5 is an opposite side view thereof;

FIG. 6 is a front view thereof; and,

FIG. 7 is a rear view thereof.

**1 Claim, 3 Drawing Sheets**



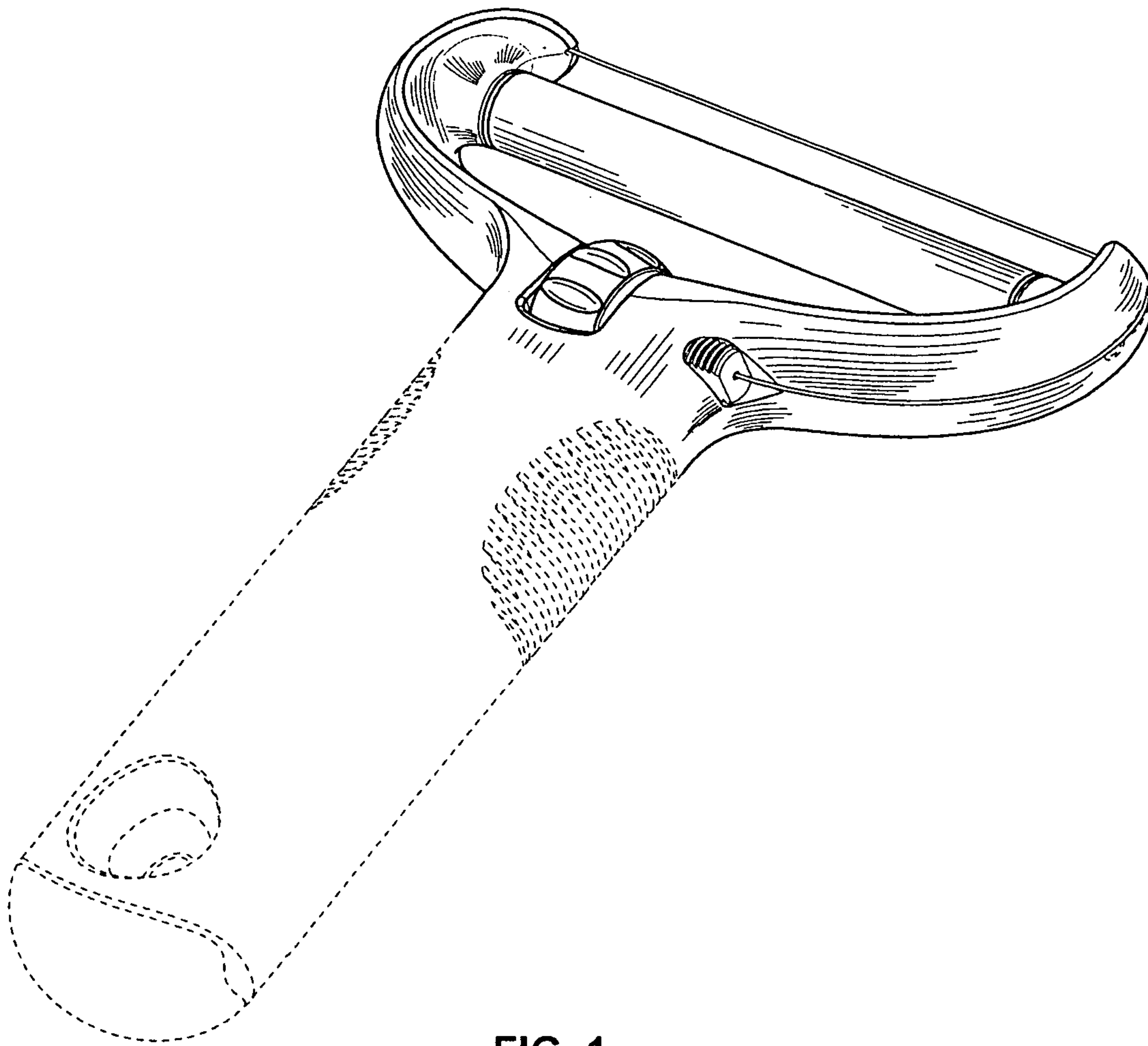


FIG. 1

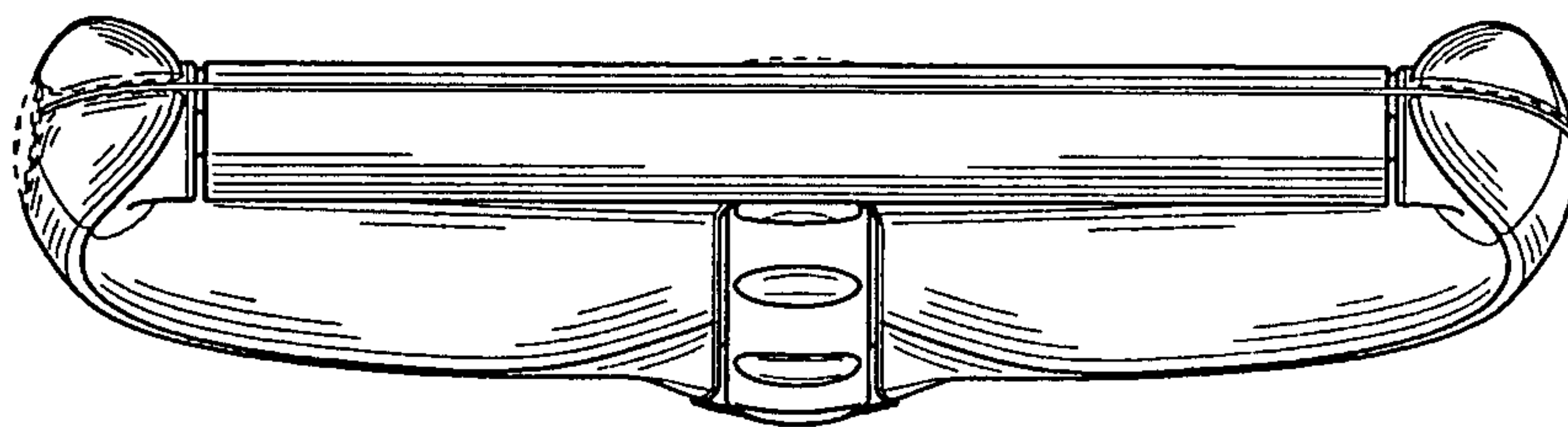


FIG. 2

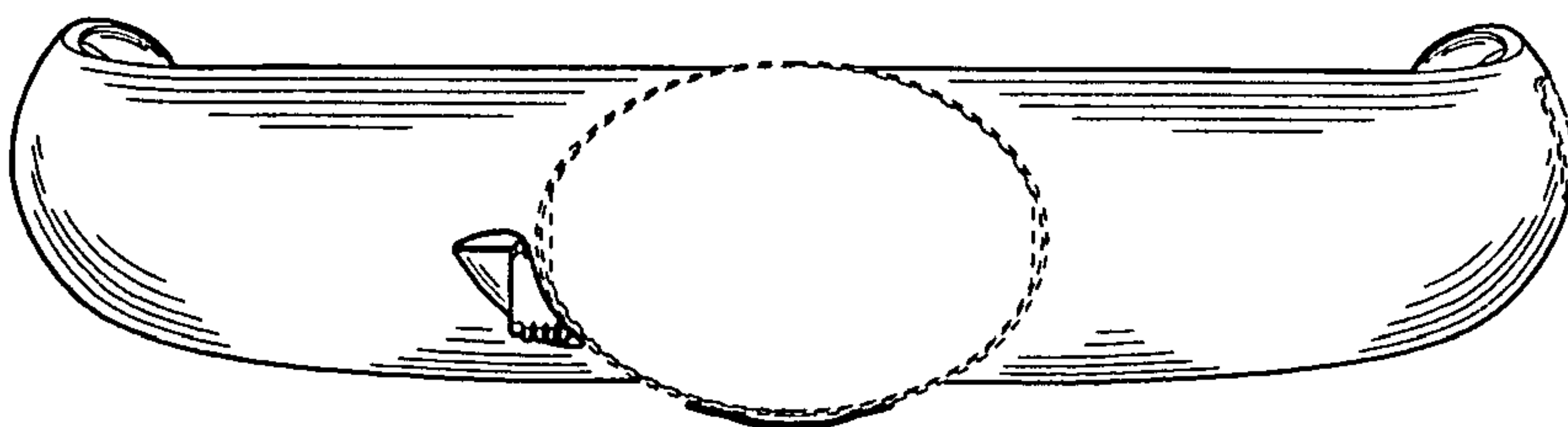


FIG. 3

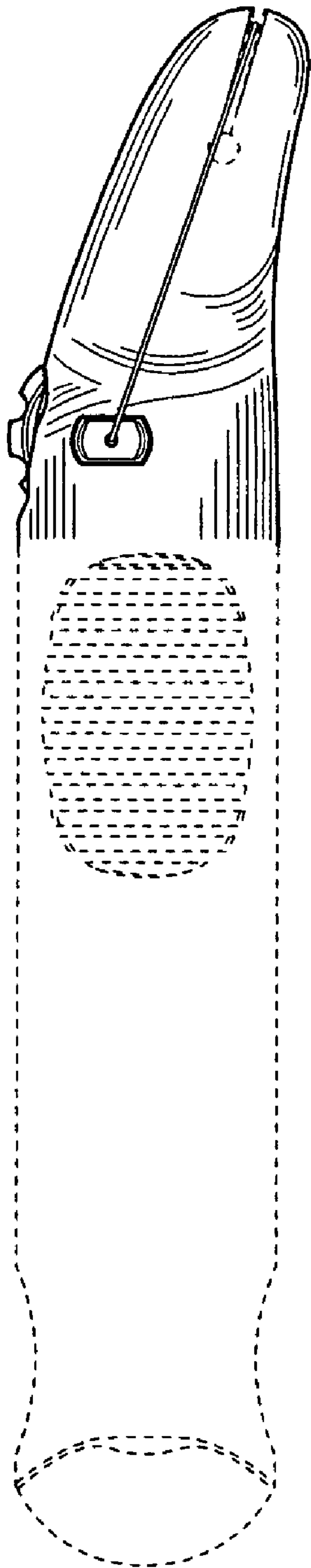


FIG. 4

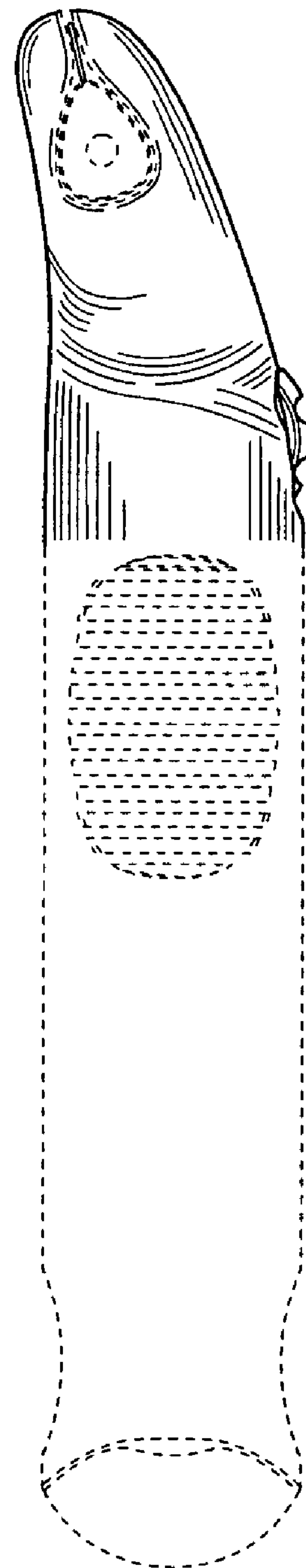


FIG. 5

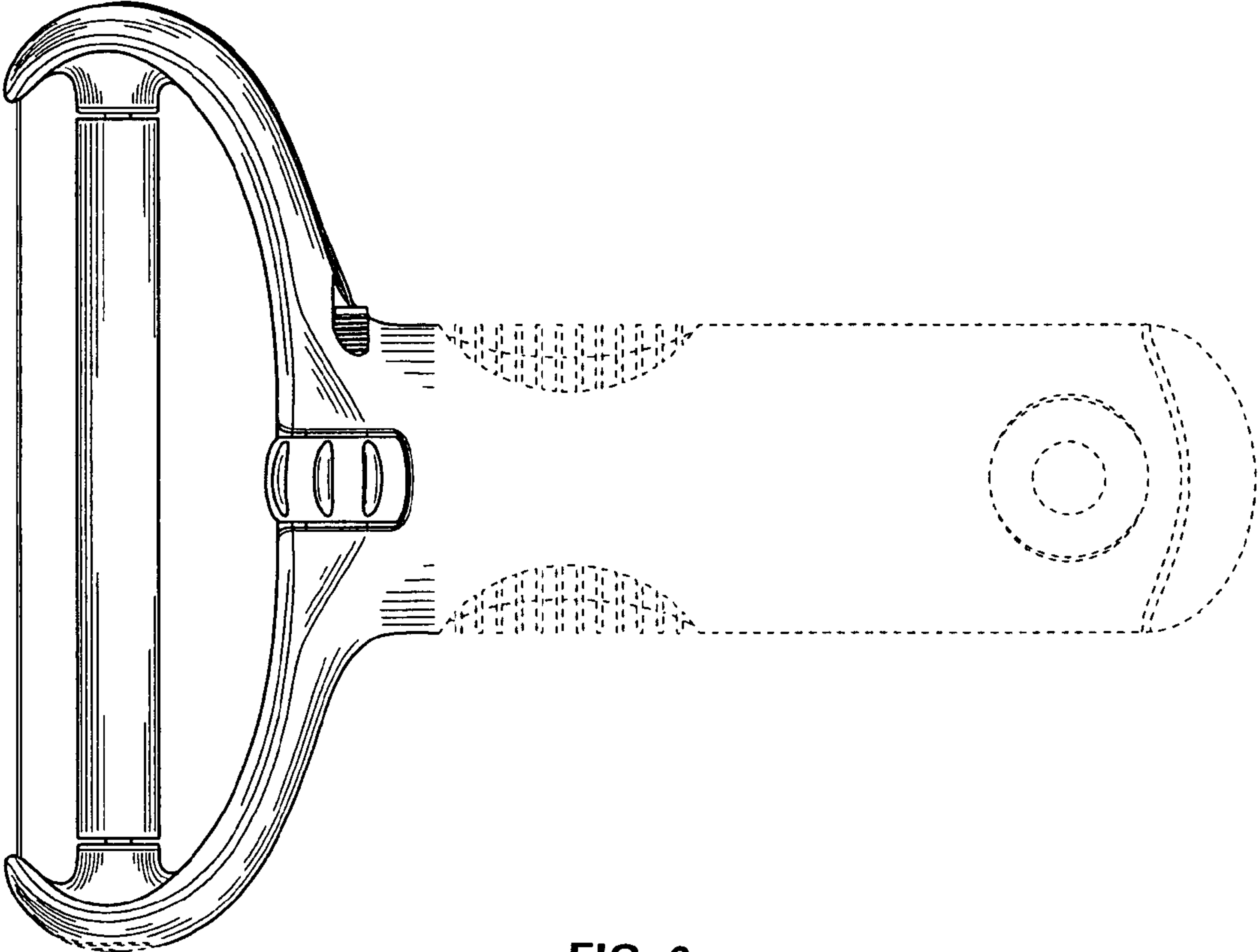


FIG. 6

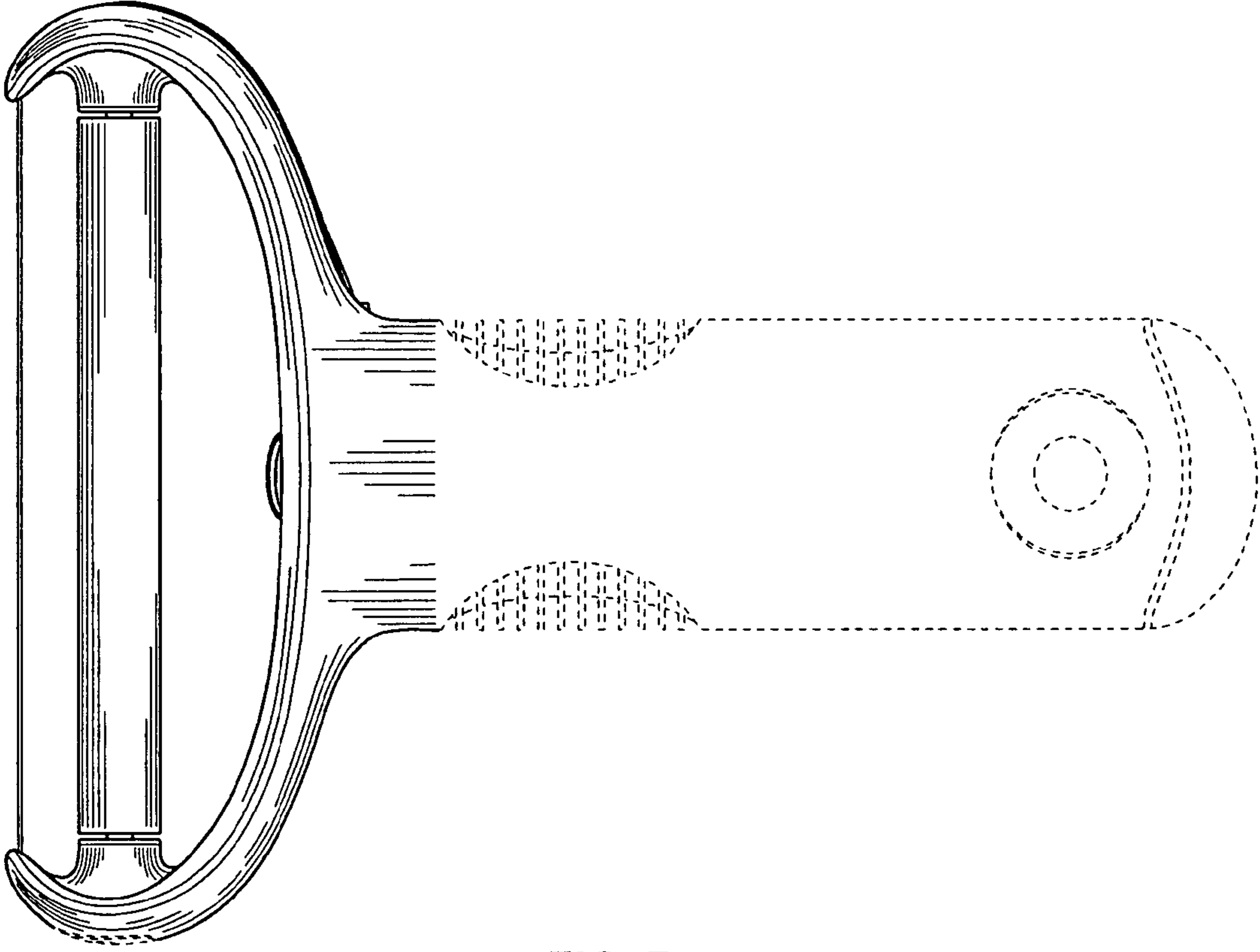


FIG. 7