

US00D563735S

(12) **United States Design Patent**
Welch

(10) **Patent No.:** **US D563,735 S**
(45) **Date of Patent:** **** Mar. 11, 2008**

(54) **CUTLERY SET**

(75) Inventor: **William Leonard Welch**,
Gloucestershire (GB)
(73) Assignee: **Robert Welch Designs Limited**,
Gloucestershire (GB)

(**) Term: **14 Years**
(21) Appl. No.: **29/225,857**
(22) Filed: **Mar. 21, 2005**

(30) **Foreign Application Priority Data**
Sep. 27, 2004 (EM) 000234877-0001/0009

(51) **LOC (8) Cl.** **07-03**
(52) **U.S. Cl.** **D7/642**
(58) **Field of Classification Search** D7/368,
D7/401.2, 642-664, 688-692, 669, 675, 676,
D7/683; 30/137, 141, 142, 340, 147-150,
30/322-329, 342-345; 416/70 R
See application file for complete search history.

(56) **References Cited**

U.S. PATENT DOCUMENTS

D86,009 S * 1/1932 Beck D7/653

(Continued)

Primary Examiner—Mimosa De
Assistant Examiner—Ricky Pham
(74) *Attorney, Agent, or Firm*—MacMillan, Sobanski &
Todd, LLC

(57) **CLAIM**

The ornamental design for a cutlery set, as shown and described.

DESCRIPTION

FIG. 1 is a left side elevational view of a knife for a cutlery set according to my new design, the right side being a mirror image thereof;

FIG. 2 is a cross sectional view taken along line 2—2 of FIG. 1 showing surface curvature details of the knife;

FIG. 3 is a cross sectional view taken along line 3—3 of FIG. 1 showing surface curvature details of the knife f;

FIG. 4 is a cross sectional view taken along line 4—4 of FIG. 1 showing surface curvature details of the knife;

FIG. 5 is a top plan view of the knife;

FIG. 6 is a left side elevational view of a fork for a cutlery set according to my new design, the right side being a mirror image thereof;

FIG. 7 is a top plan view of the fork, the bottom plan view being a mirror image thereof;

FIG. 8 is a cross sectional view taken along line 8—8 of FIG. 7 showing surface curvature details of the fork;

FIG. 9 is a cross sectional view taken along line 9—9 of FIG. 7 showing surface curvature details of the fork;

FIG. 10 is a cross sectional view taken along line 10—10 of FIG. 7 showing surface curvature details of the fork;

FIG. 11 is a cross sectional view taken along line 11—11 of FIG. 7 showing surface curvature details of the fork;

FIG. 12 is a top plan view of a spoon for a cutlery set according to my new design, the bottom plan view being a mirror image thereof;

FIG. 13 is a cross sectional view taken along line 13—13 of FIG. 12 showing surface curvature details of the spoon;

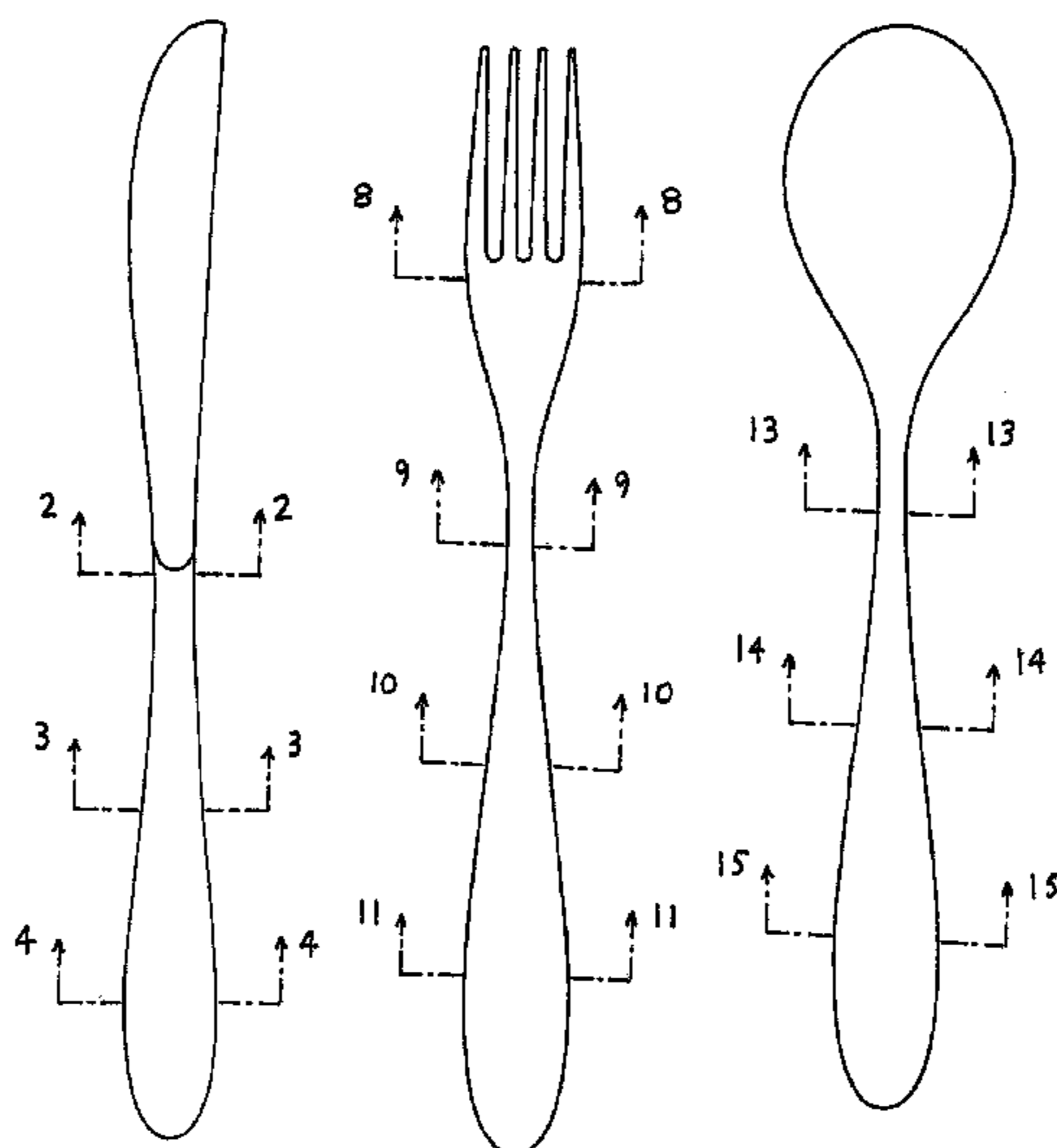
FIG. 14 is a cross sectional view taken along line 14—14 of FIG. 12 showing surface curvature details of the spoon;

FIG. 15 is a cross sectional view taken along line 15—15 of FIG. 12 showing surface curvature details of the spoon; and,

FIG. 16 is a left side elevational view of the spoon, the right side being a mirror image thereof.

The cutlery set consists of a knife, fork and spoon.

1 Claim, 5 Drawing Sheets



US D563,735 S

Page 2

U.S. PATENT DOCUMENTS

D172,070 S *	4/1954	Wallance	D7/653	D497,083 S *	10/2004	Welch	D7/645
D440,831 S *	4/2001	Welch et al.	D7/645	D498,393 S *	11/2004	Welch	D7/645
D455,936 S *	4/2002	Welch	D7/645	D499,939 S *	12/2004	Poupel	D7/649
D479,674 S *	9/2003	Freed	D7/645	D511,657 S *	11/2005	Junko	D7/653
D492,549 S *	7/2004	Welch	D7/645	D514,898 S *	2/2006	Poupel	D7/653
D493,337 S *	7/2004	Welch	D7/663				

* cited by examiner

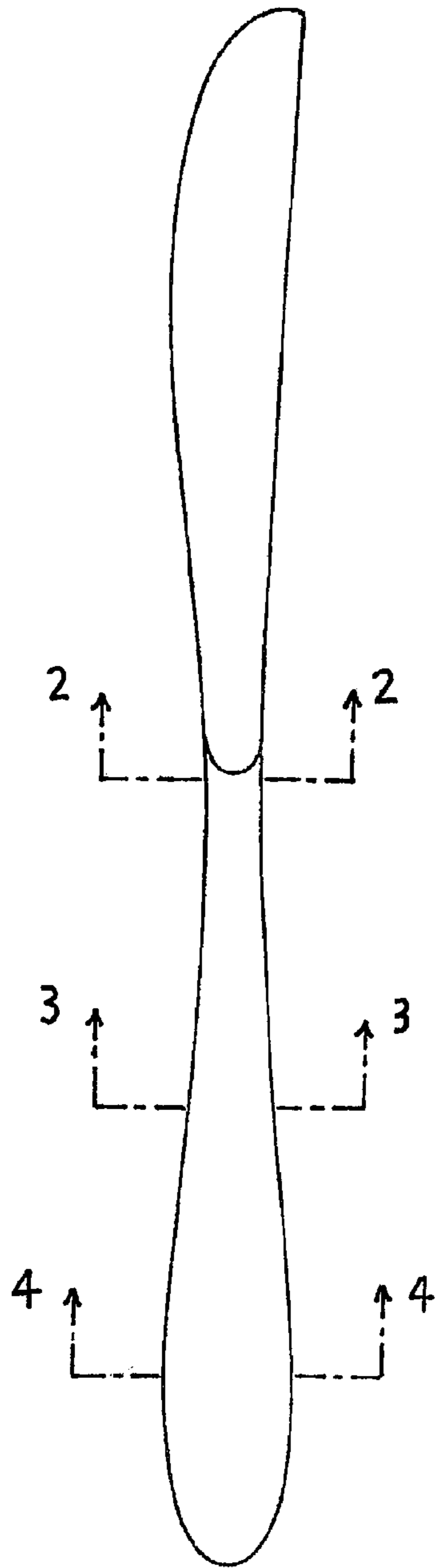


Fig. 1



Fig. 2



Fig. 3



Fig. 4



Fig. 5

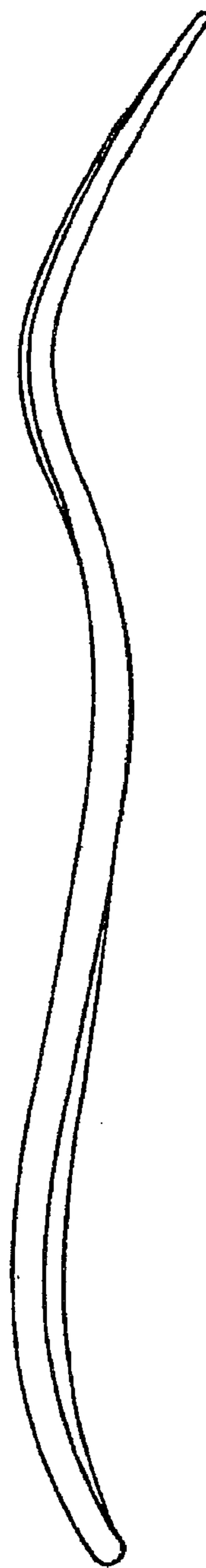


Fig. 6

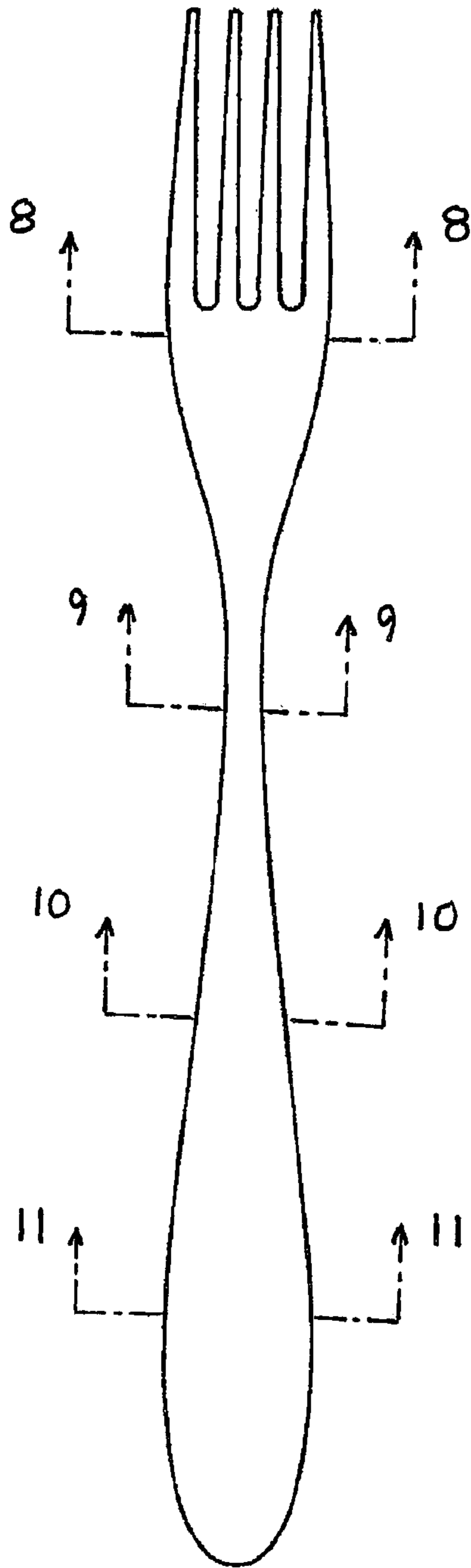


Fig. 7



Fig. 8



Fig. 9



Fig. 10



Fig. 11

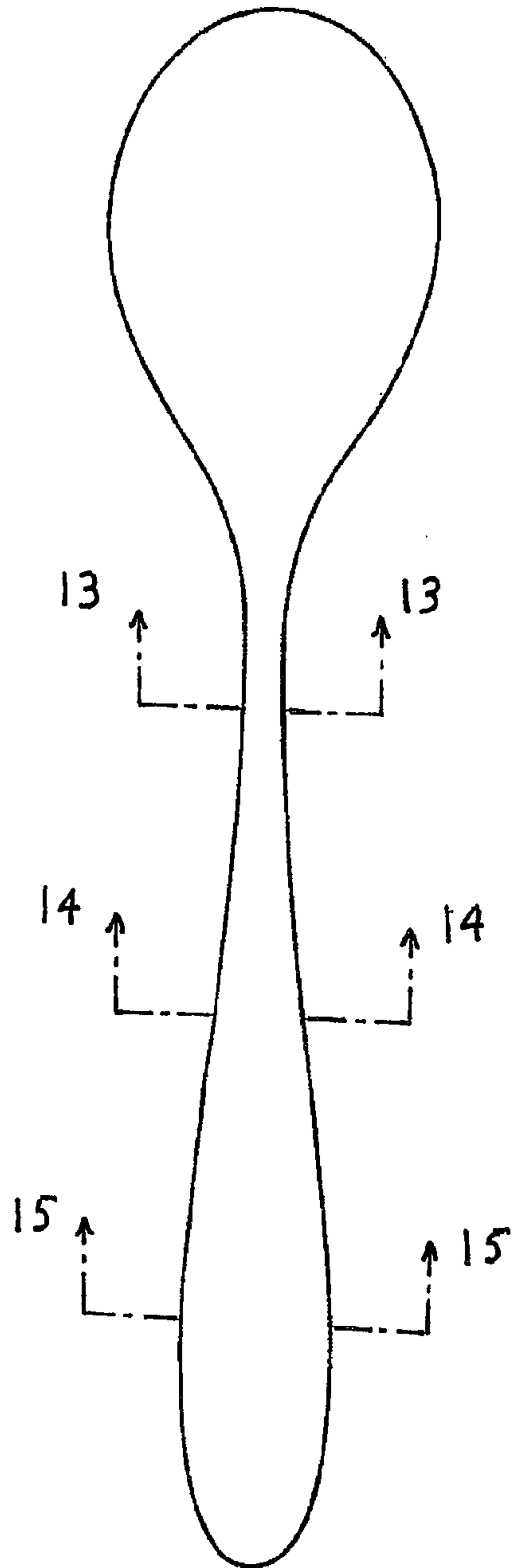


Fig. 12



Fig. 13



Fig. 14



Fig. 15

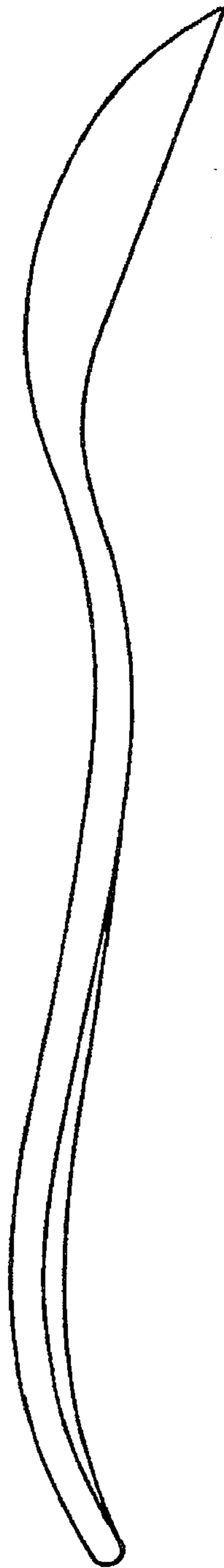


Fig. 16