



US00D563734S

(12) **United States Design Patent**
Snell

(10) **Patent No.:** **US D563,734 S**
(45) **Date of Patent:** **** Mar. 11, 2008**

(54) **NAPKIN HOLDER**

(75) Inventor: **Russell Benton Snell**, Bentleyville, OH (US)

(73) Assignee: **InterDesign, Inc.**, Solon, OH (US)

(**) Term: **14 Years**

(21) Appl. No.: **29/264,386**

(22) Filed: **Aug. 9, 2006**

(51) **LOC (8) Cl.** **07-06**

(52) **U.S. Cl.** **D7/631**

(58) **Field of Classification Search** D7/631-634,
D7/590; D6/474, 475; D19/75, 77, 78, 85,
D19/86, 90, 91; 221/33-41, 45-60; 211/11,
211/13.1, 40, 41.2, 41.3, 45, 49.1, 50
See application file for complete search history.

(56) **References Cited**

U.S. PATENT DOCUMENTS

- 4,887,725 A * 12/1989 VanNoord 211/40
- D348,693 S * 7/1994 Tillyer, Sr. D19/86
- D405,322 S * 2/1999 Goodman et al. D7/631
- D416,449 S * 11/1999 Goodman et al. D7/631

OTHER PUBLICATIONS

2004 InterDesign, Inc. product brochure, p. 13 w/front & back cover.

* cited by examiner

Primary Examiner—Terry A Wallace

(74) *Attorney, Agent, or Firm*—D. Peter Hochberg; Sean F. Mellino

(57) **CLAIM**

The ornamental design for an napkin holder, as shown and described.

DESCRIPTION

FIG. 1 is a perspective view of the napkin holder according to the invention;

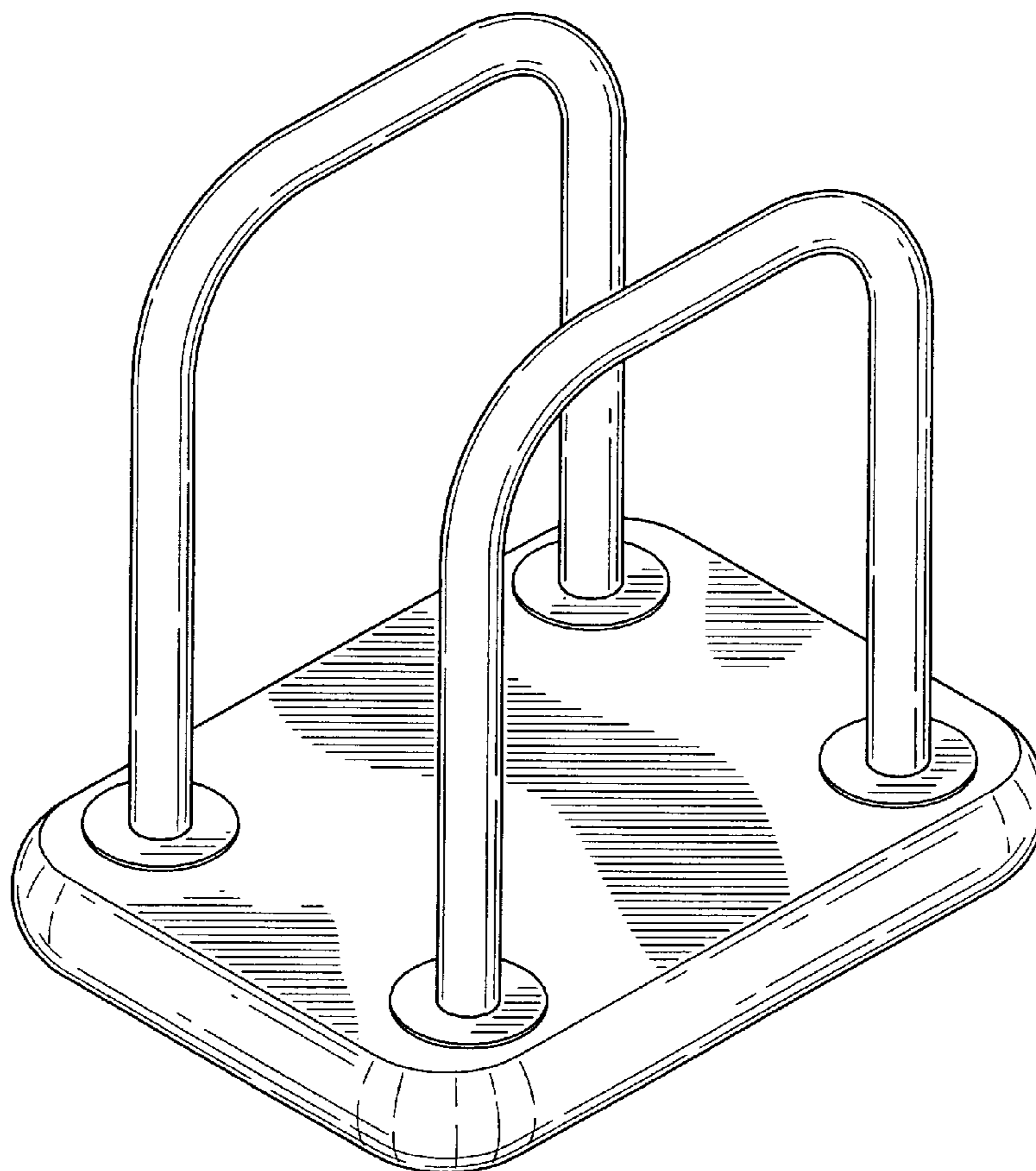
FIG. 2 is a front view of the napkin holder as shown in FIG. 1;

FIG. 3 is a side view of the napkin holder as shown in FIG. 1;

FIG. 4 is a top view of the napkin holder as shown in FIG. 1; and,

FIG. 5 is a bottom view of the napkin holder as shown in FIG. 1.

1 Claim, 3 Drawing Sheets



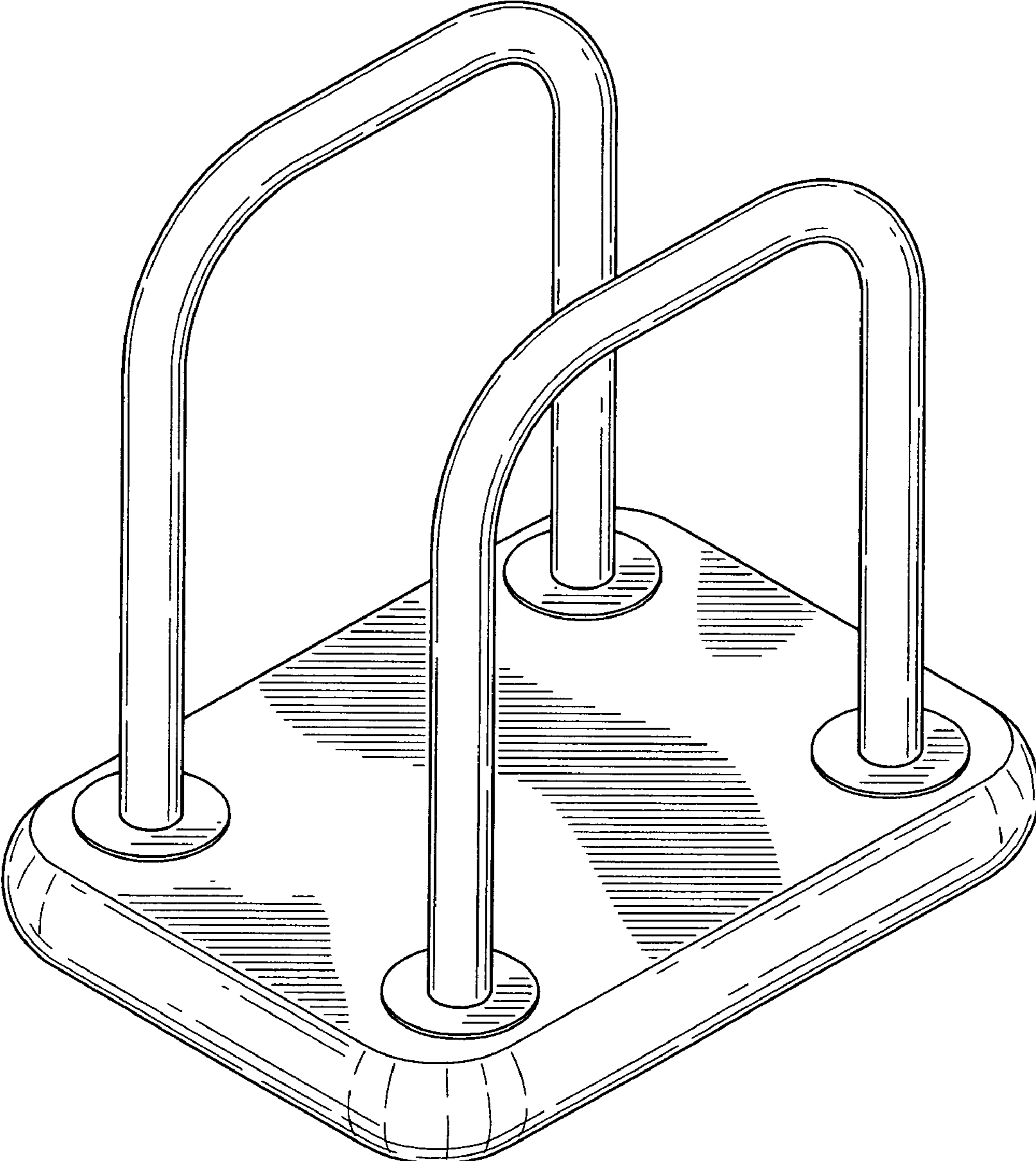


FIG-1

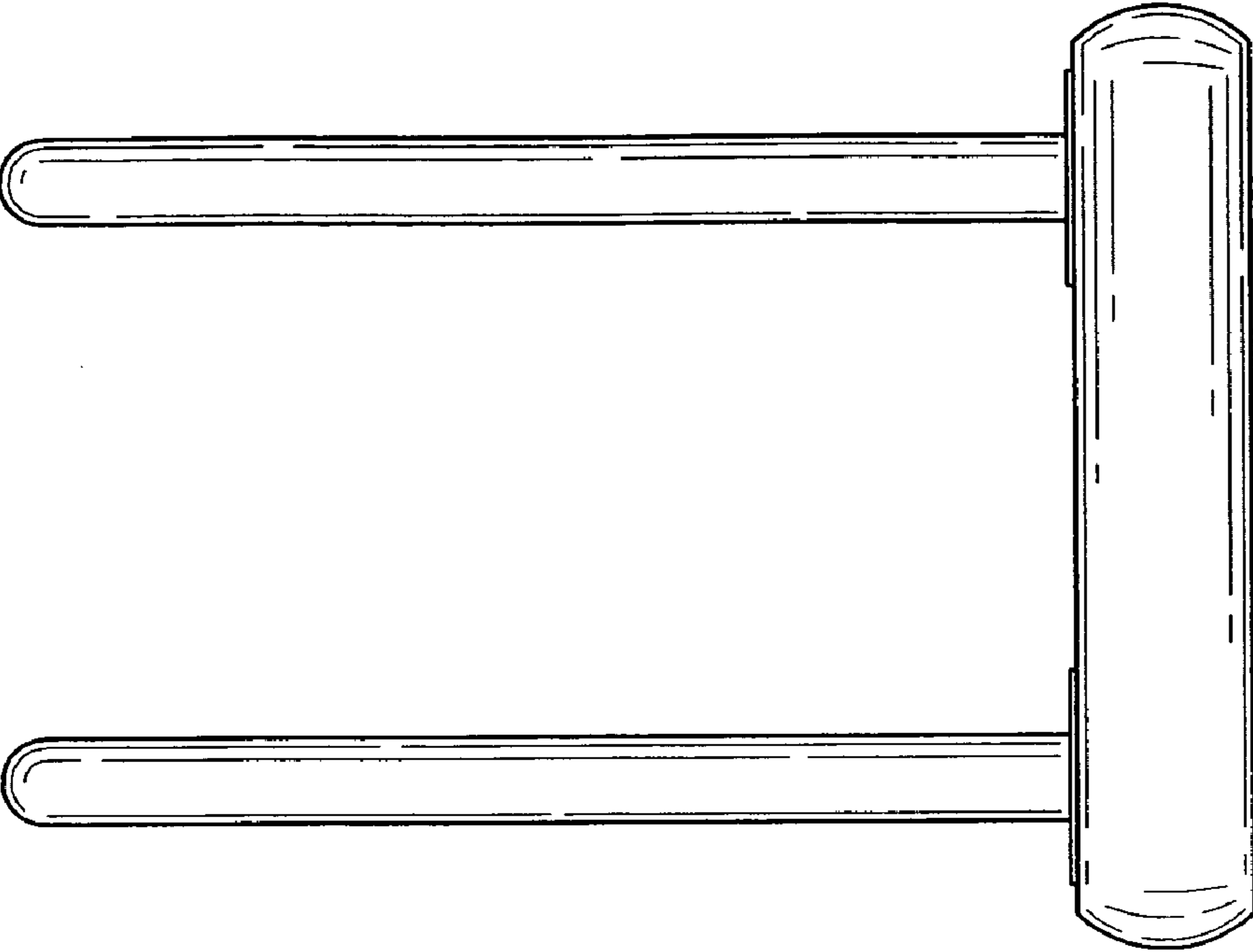


FIG-3

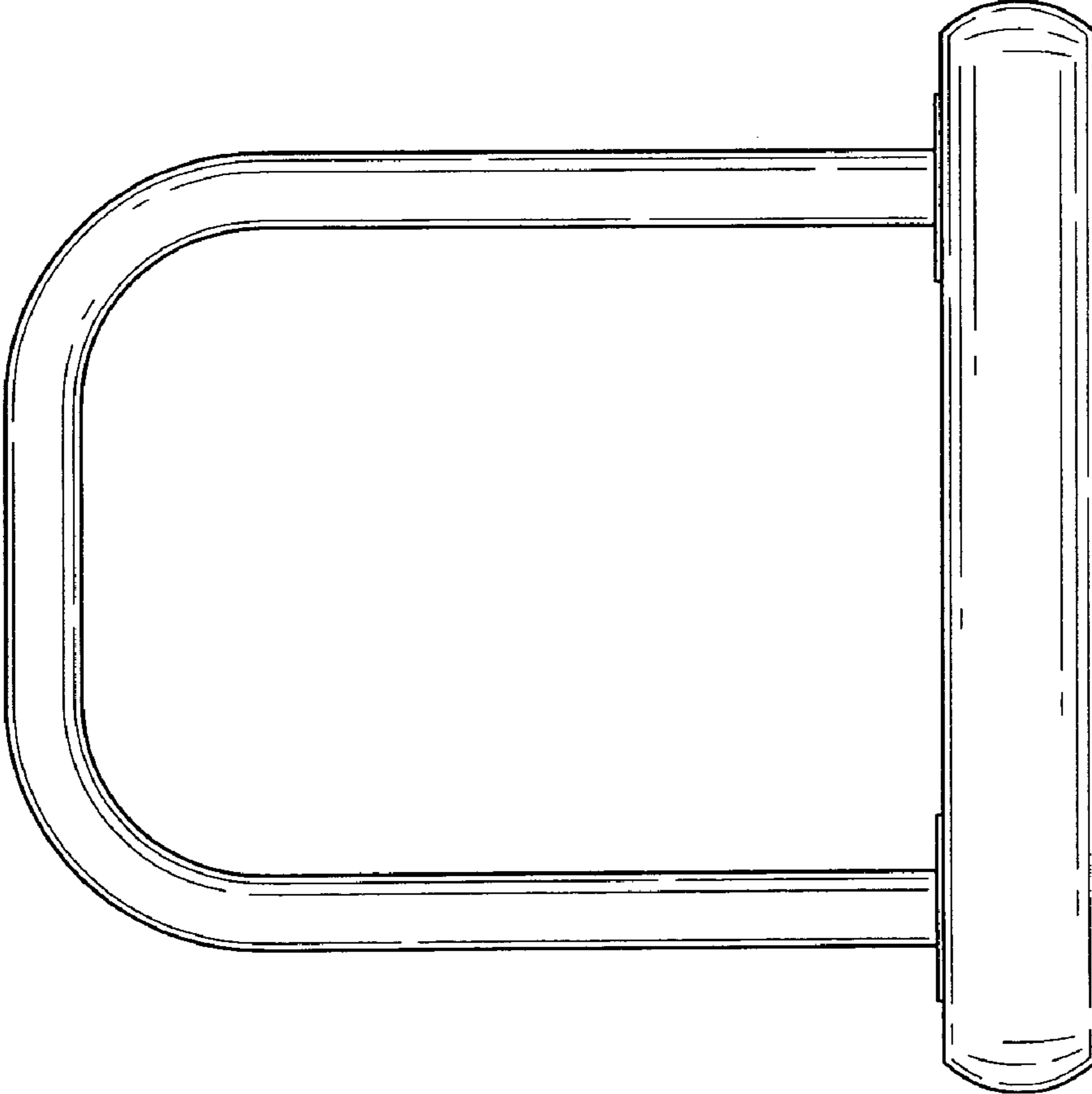


FIG-2

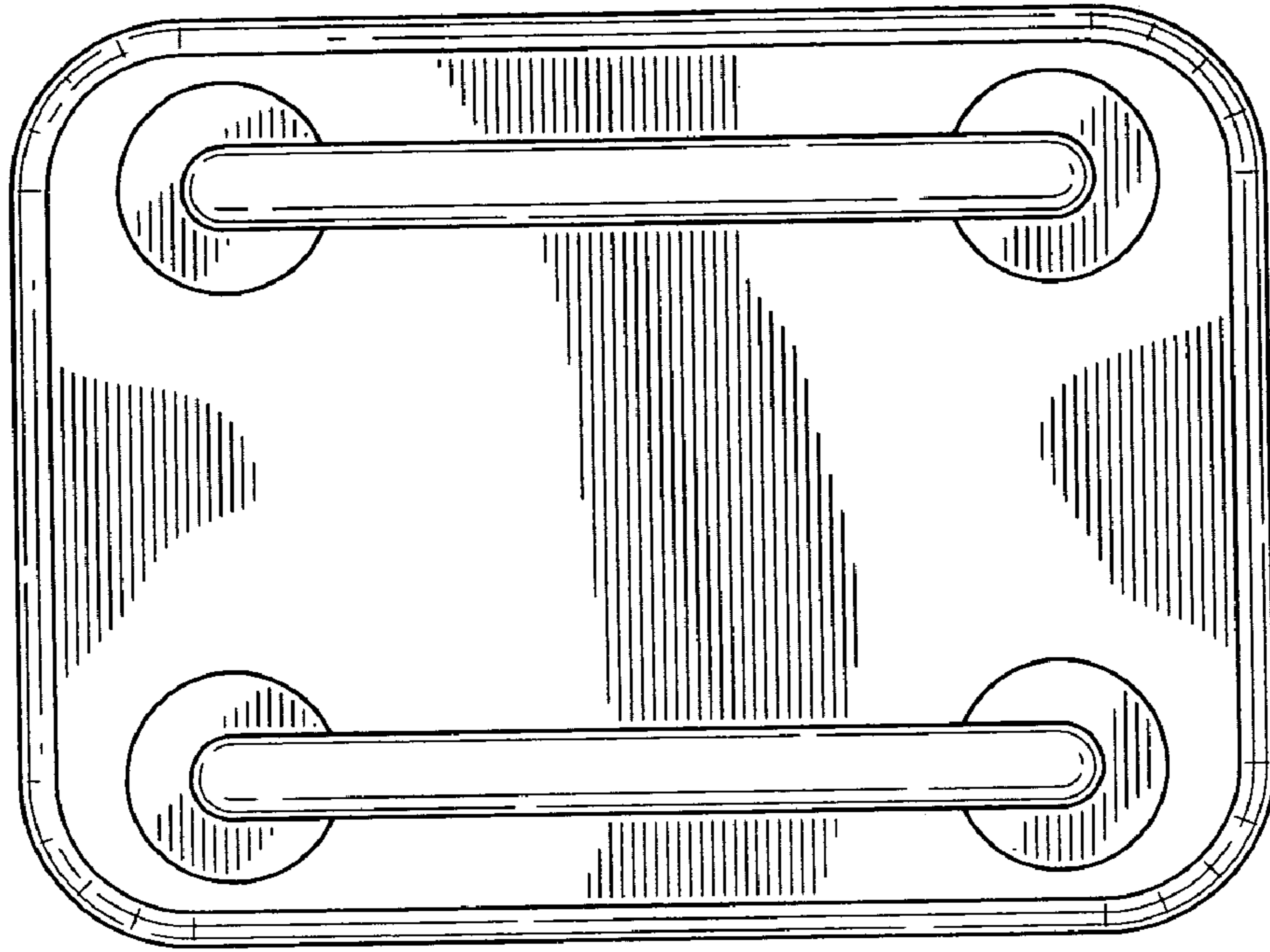


FIG-4

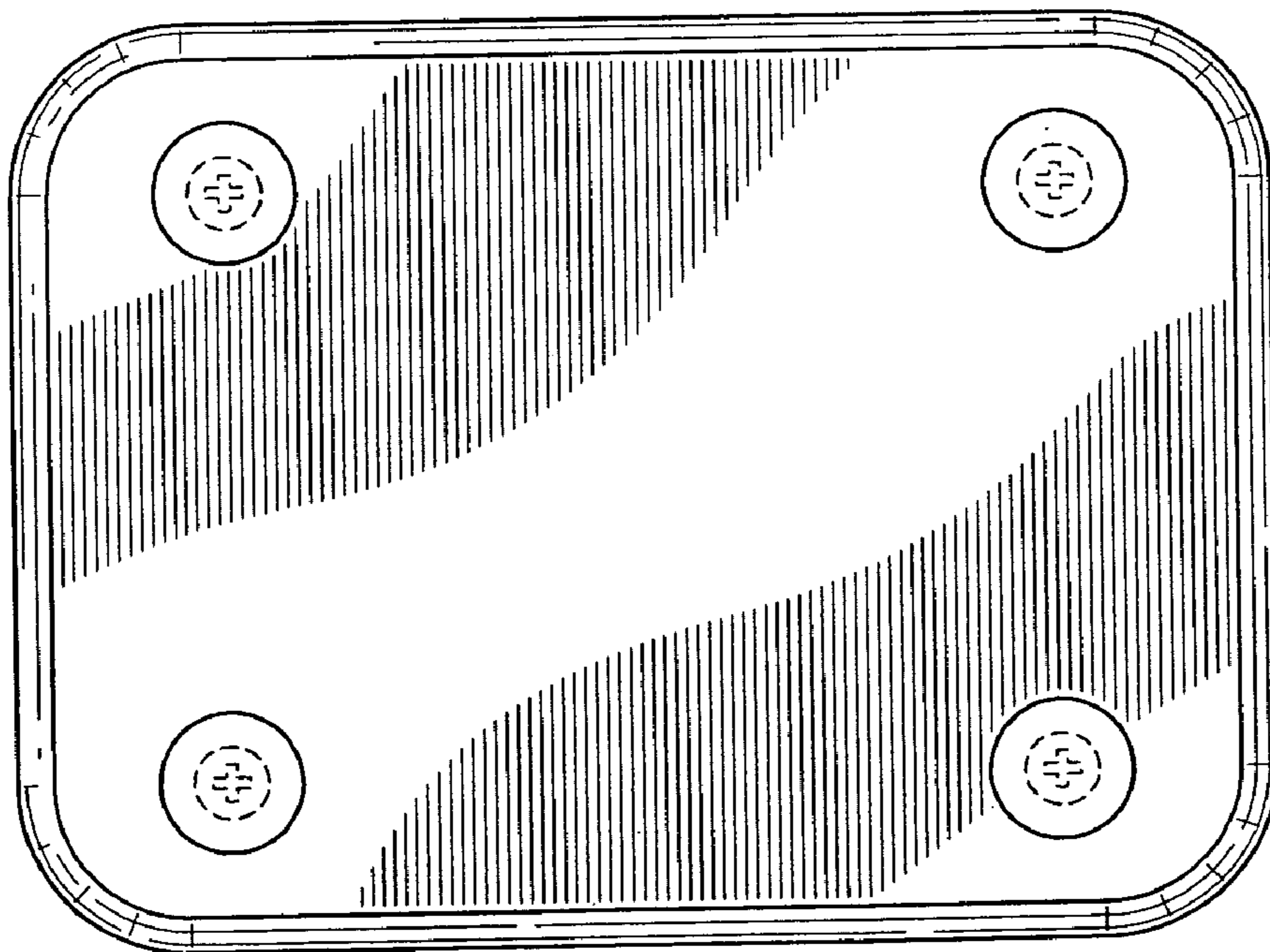


FIG-5