

US00D563733S

(12) **United States Design Patent**
Wang

(10) **Patent No.:** **US D563,733 S**
(45) **Date of Patent:** **** Mar. 11, 2008**

(54) **SEAL CAN**

D361,714 S * 8/1995 Krupa D9/428
D517,869 S * 3/2006 Graves et al. D7/612

(75) Inventor: **Huang-Yuan Wang**, Tainan (TW)

* cited by examiner

(73) Assignee: **Yuan Min Aluminum Co., Ltd.**,
Tainan (TW)

Primary Examiner—Terry A Wallace
(74) *Attorney, Agent, or Firm*—Rosenberg, Klein & Lee

(**) Term: **14 Years**

(57) **CLAIM**

(21) Appl. No.: **29/274,343**

The ornamental design for a seal can, as shown and described.

(22) Filed: **Apr. 18, 2007**

(51) **LOC (8) Cl.** **07-01**

DESCRIPTION

(52) **U.S. Cl.** **D7/629; D7/603; D7/615**

(58) **Field of Classification Search** D7/603–608,
D7/612–615, 601, 602, 629; D9/424–429;
220/780–806; D27/186, 190; D34/1, 7
See application file for complete search history.

FIG. 1 is a perspective view of an seal can showing my new design;

FIG. 2 is a front elevational view thereof;

FIG. 3 is a rear elevational view thereof;

FIG. 4 is a left side elevational view thereof;

FIG. 5 is a right side elevational view thereof;

FIG. 6 is a top plan view thereof; and,

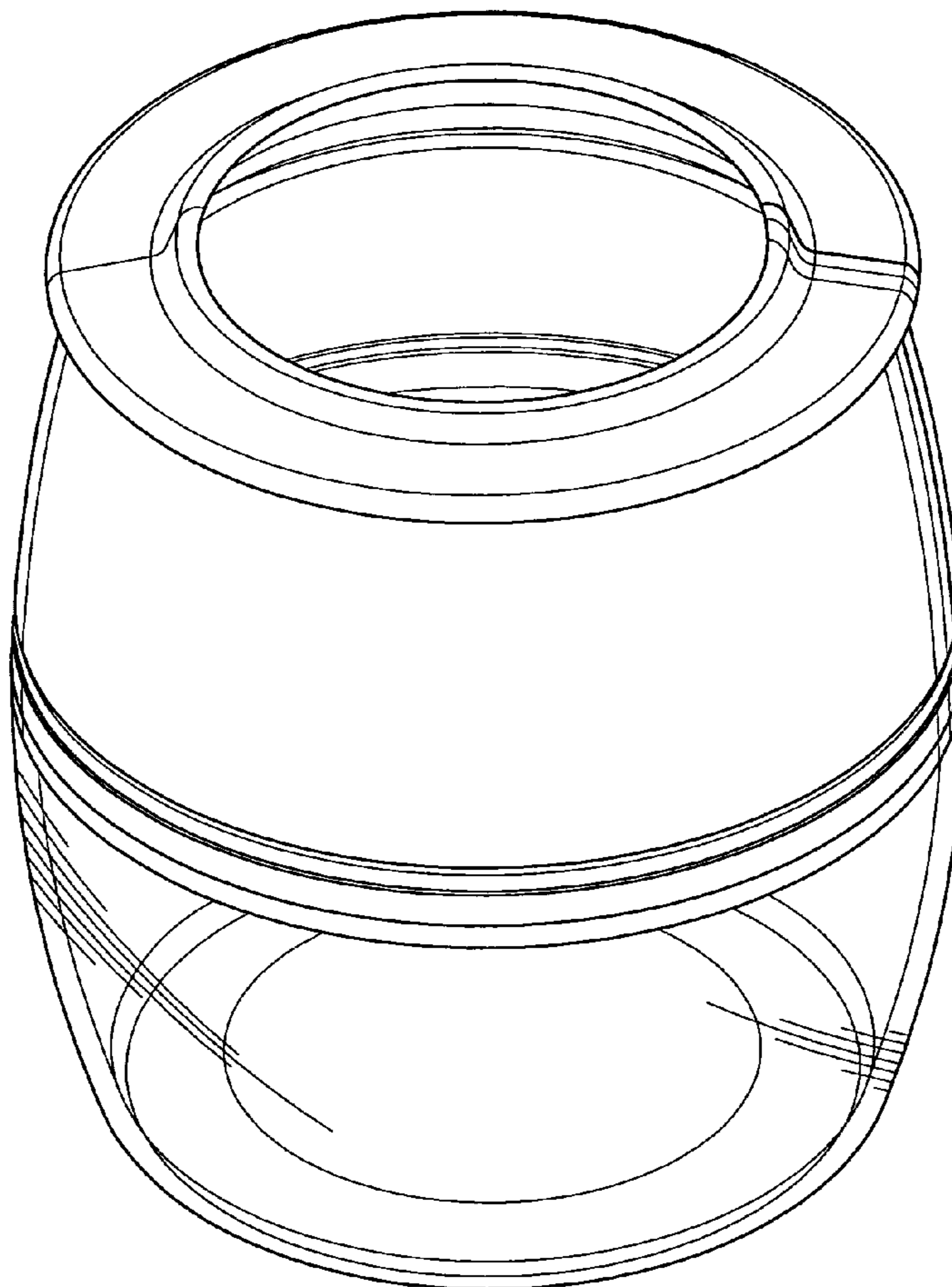
FIG. 7 is a bottom plan view thereof.

(56) **References Cited**

U.S. PATENT DOCUMENTS

D239,920 S * 5/1976 Floren D9/428
D272,223 S * 1/1984 Daenen D7/629
D313,462 S * 1/1991 Hart et al. D9/428
D334,113 S * 3/1993 Lewis et al. D7/629

1 Claim, 4 Drawing Sheets



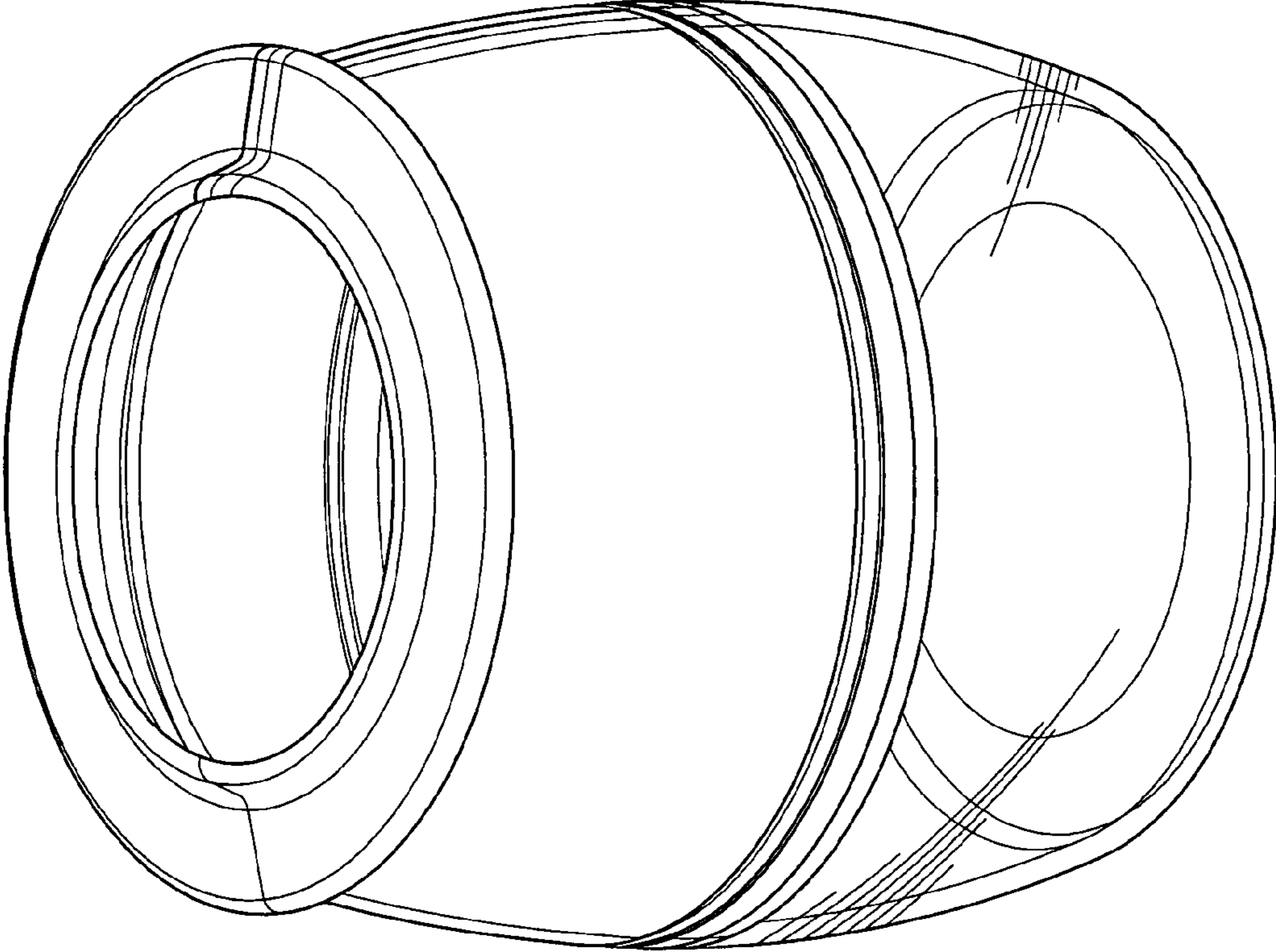


FIG . 1

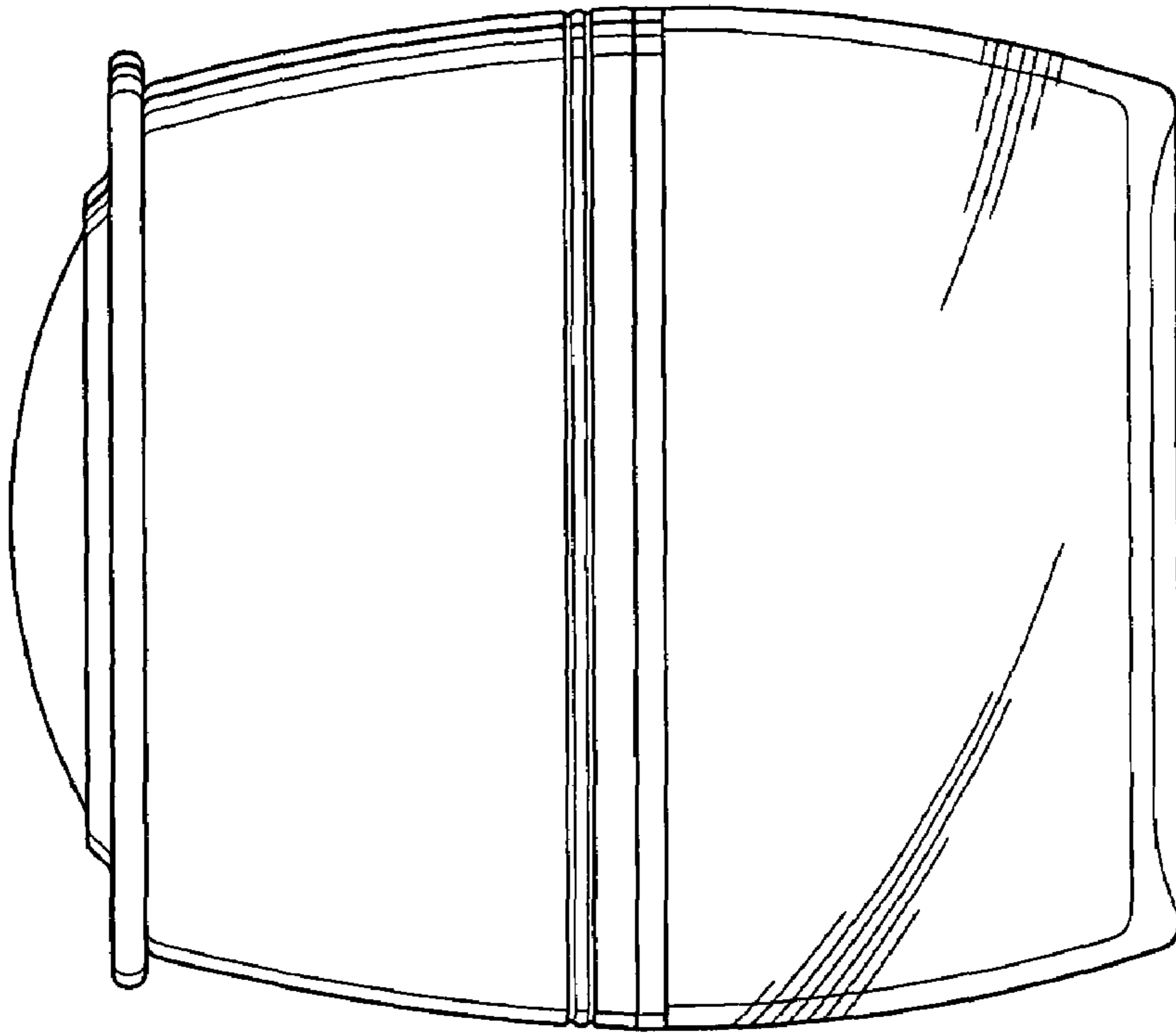


FIG . 3

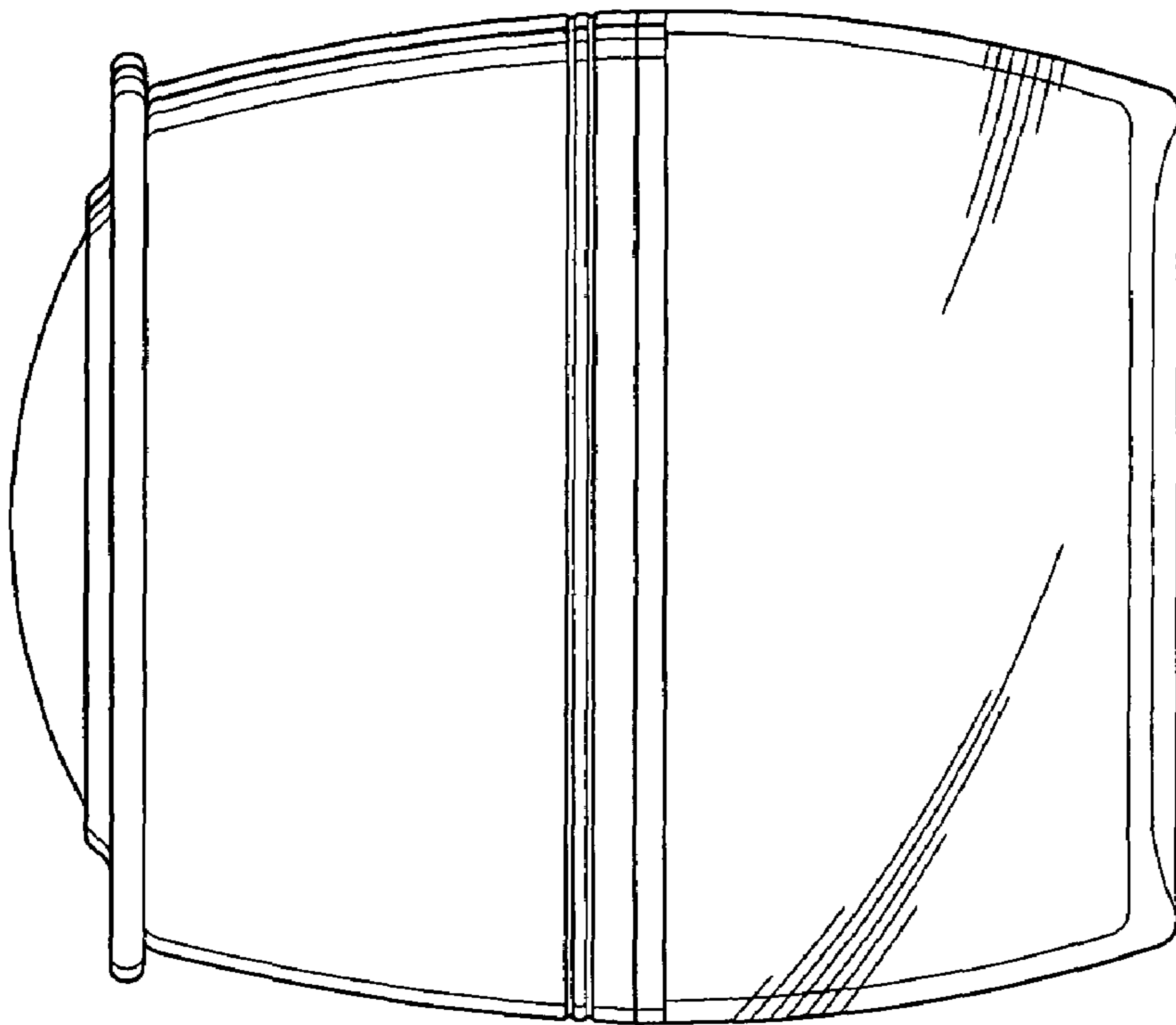


FIG . 2

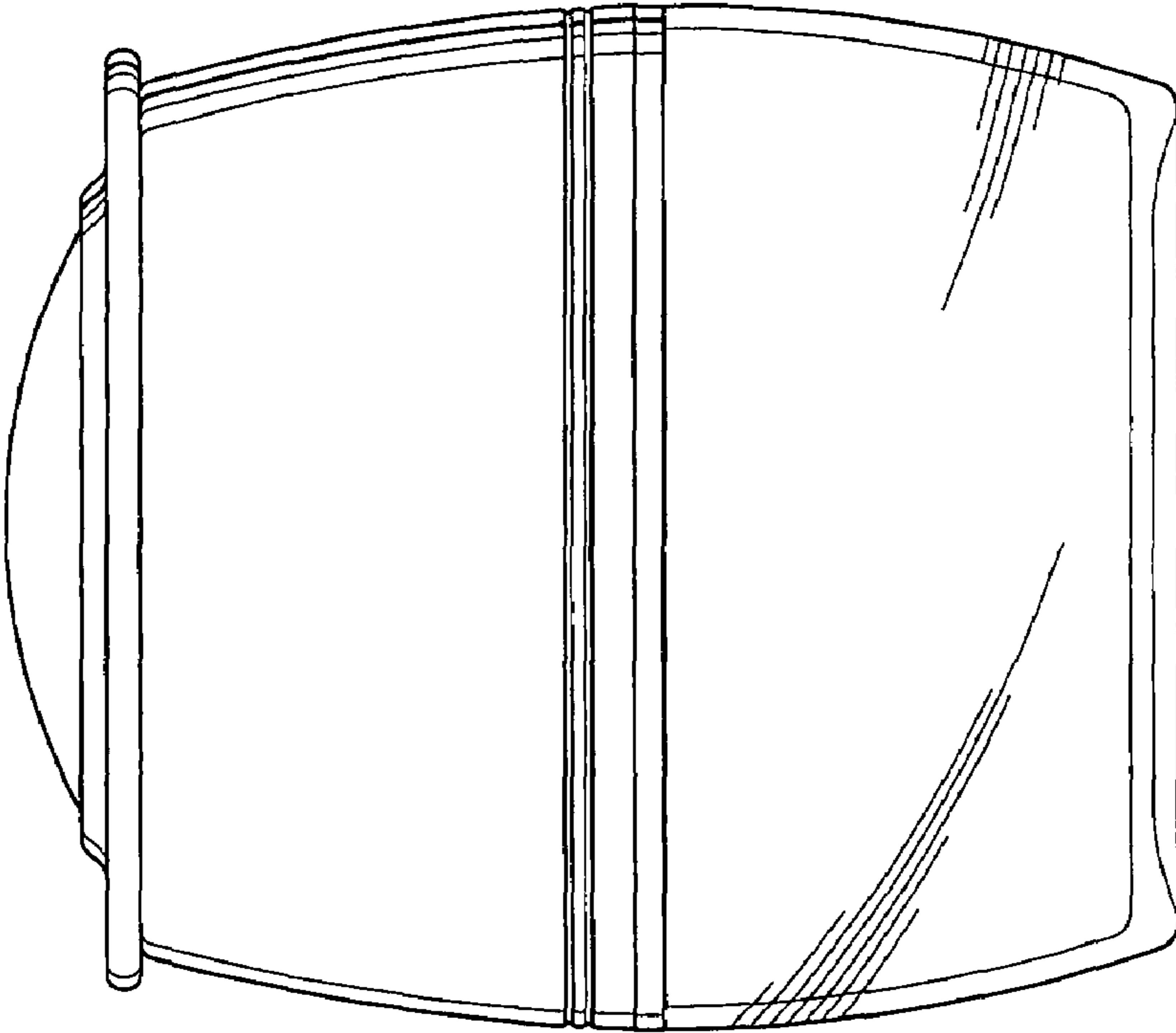


FIG . 5

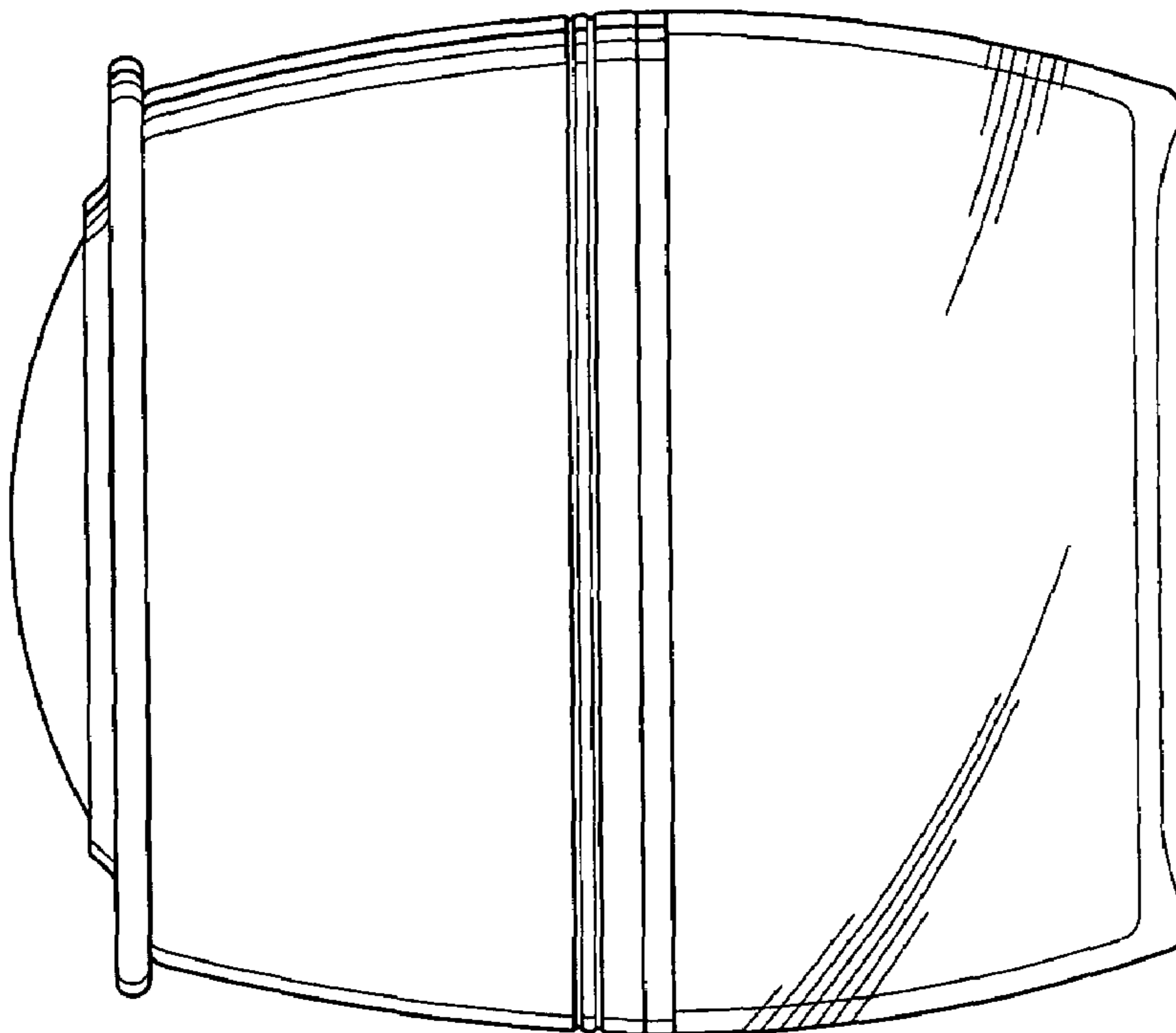


FIG . 4

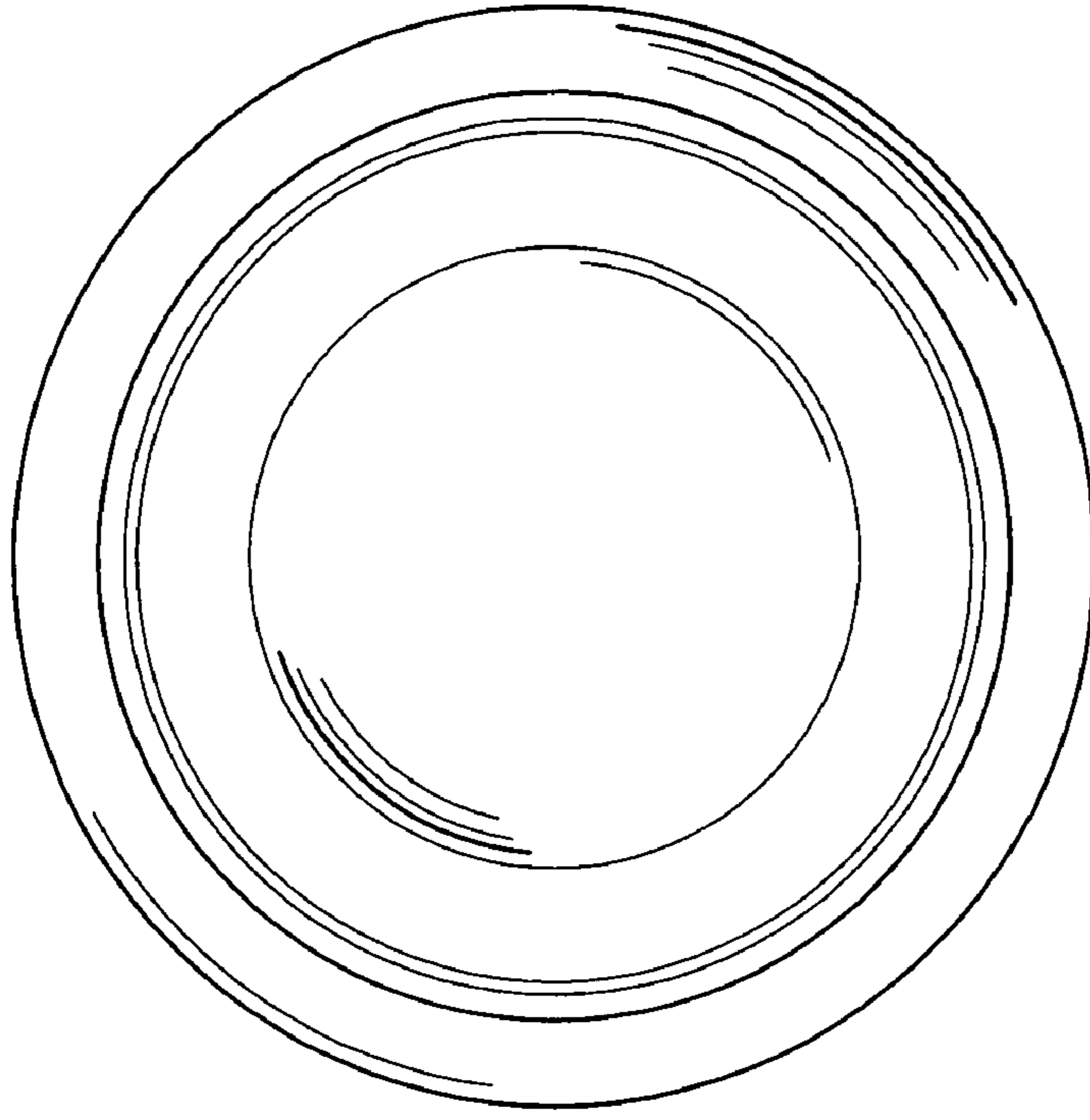


FIG . 6

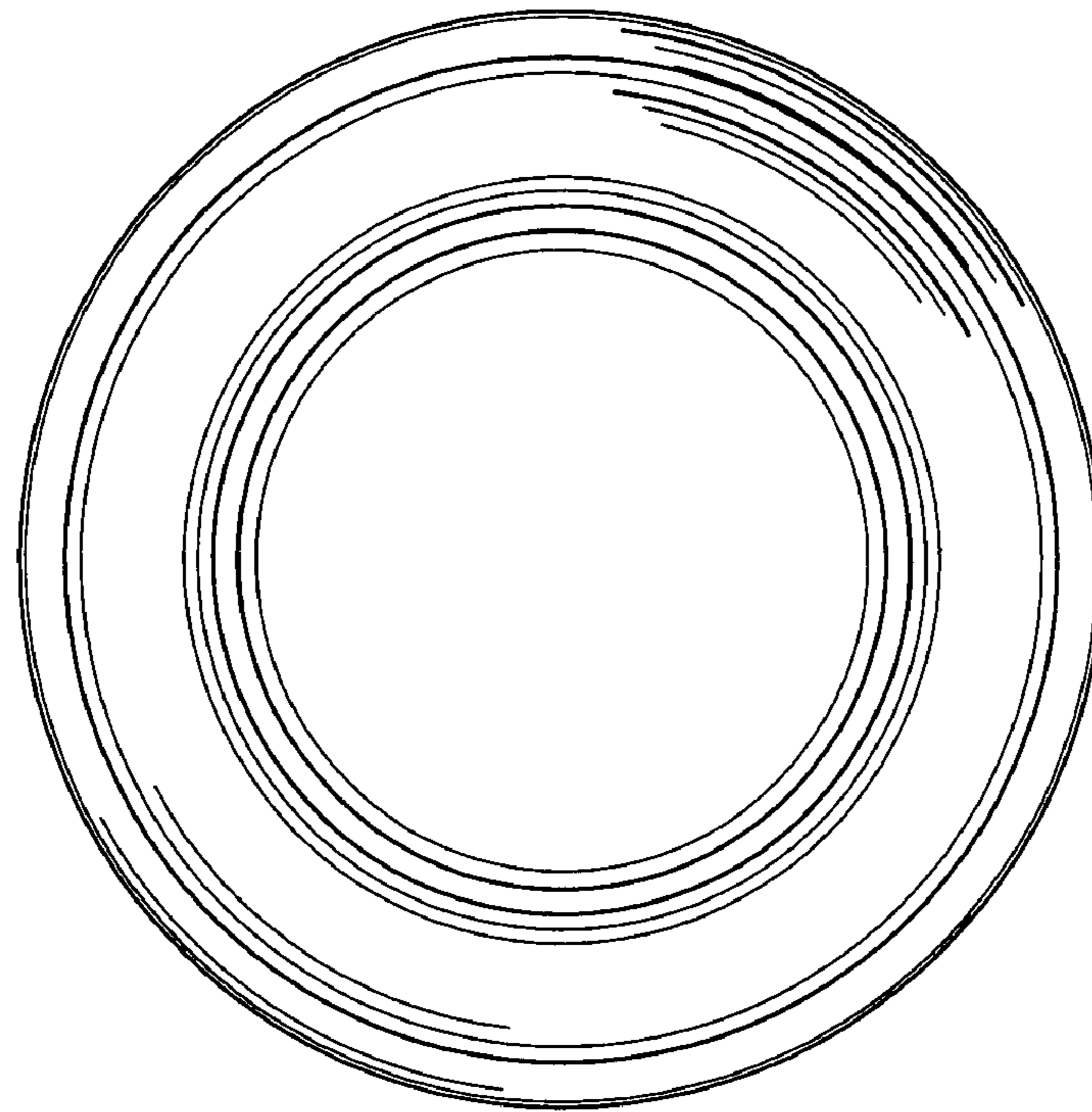


FIG . 7