

US00D563724S

(12) **United States Design Patent** (10) **Patent No.:** **US D563,724 S**  
**Bodum** (45) **Date of Patent:** **\*\* Mar. 11, 2008**

(54) **MARTINI GLASS**  
(75) Inventor: **Jørgen Bodum**, St. Niklausen (CH)  
(73) Assignee: **Pi-Design AG**, Triengen (CH)  
(\*\*) Term: **14 Years**  
(21) Appl. No.: **29/261,003**  
(22) Filed: **Jun. 6, 2006**

(30) **Foreign Application Priority Data**

Dec. 6, 2005 (DK) ..... DA 2005 00348

(51) **LOC (8) Cl.** ..... **07-01**  
(52) **U.S. Cl.** ..... **D7/524; D7/537; D7/509**  
(58) **Field of Classification Search** ..... **D7/396.6,**  
**D7/509, 522-532, 37; D11/143, 146, 152;**  
**206/217, 426; 215/12.1, 374, 377**  
See application file for complete search history.

(56) **References Cited**

**U.S. PATENT DOCUMENTS**

1,375,401 A *	4/1921	Luddy	.....	220/737
D78,896 S *	7/1929	Orme	.....	D7/527
D82,909 S *	12/1930	Sakier	.....	D7/526
2,143,027 A *	1/1939	Perry	.....	215/374
D136,625 S *	11/1943	Richards	.....	D7/537
3,008,678 A *	11/1961	Roumeliotis	.....	248/145.3
3,482,731 A *	12/1969	Douty	.....	220/630
D248,004 S *	5/1978	Simpson	.....	D7/524
D296,665 S *	7/1988	Hofer	.....	D9/504
D327,815 S *	7/1992	van Schijndel	.....	D7/513
D406,986 S *	3/1999	Lewis	.....	D7/558
D407,947 S *	4/1999	Barth	.....	D7/522
D471,404 S *	3/2003	Gady	.....	D7/523
D515,359 S *	2/2006	Andrews	.....	D7/524
D527,223 S *	8/2006	Thun	.....	D7/524

**OTHER PUBLICATIONS**

Leonardo Bowls, Jun. 29, 2005, <http://web.archive.org/web/20050629082908/http://www.leonardostore.com/> <http://web.archive.org/web/20051025205122/www.leonardostore.com/pcat/products.asp?catid=4> <http://webarchive.org/web/20051227003854/www.leonardostore.com/pcat/products.asp?t=details&groupid=18>.\*

Stretch by Cristal JG Durand, Feb. 10, 2005, [http://web.archive.org/web/20050210123424/http://villagekitchen.com/mfg/arc/durand/p/stretch/stretch/html.\\*](http://web.archive.org/web/20050210123424/http://villagekitchen.com/mfg/arc/durand/p/stretch/stretch/html.*)  
Elfie Bowl, Feb. 6, 2005, [http://web.archive.org/web/20050206190526/www.crystalarte.com/elfie-crystal-bowl-260.html.\\*](http://web.archive.org/web/20050206190526/www.crystalarte.com/elfie-crystal-bowl-260.html.*)  
Regina series, Crysterna, piece on right, Tableware International, Spring, 2004, p. 116.\*  
Holmegaard Claushom series dated before year 2000, reference dated: Aug. 8, 2004 [http://web.archive.org/web/20040821200450/skovsantik.dk/Amager\\_export\\_Claushom\\_glas\\_Holmegaard.JPG.\\*](http://web.archive.org/web/20040821200450/skovsantik.dk/Amager_export_Claushom_glas_Holmegaard.JPG.*)  
Fino Stemware, Tableware International, Feb., 2003, p. 34.\*  
Salviati, glass on right, Table International, Feb., 2003.\*  
Gardera glass series, picture middle left, and glass on extreme right Ikea Catalog, Jul. 31, 2002, p. 142.\*  
Linen by JG Durand, Tableware International, America, Apr. 2001, p. 43.\*  
Classic Martini by Colony, Bloomingdale's Catalog, Apr. 11, 1977 p. 11.\*

\* cited by examiner

*Primary Examiner*—T. Chase Nelson  
*Assistant Examiner*—Karen Acker  
(74) *Attorney, Agent, or Firm*—Cowan, Liebowitz & Latman, PC

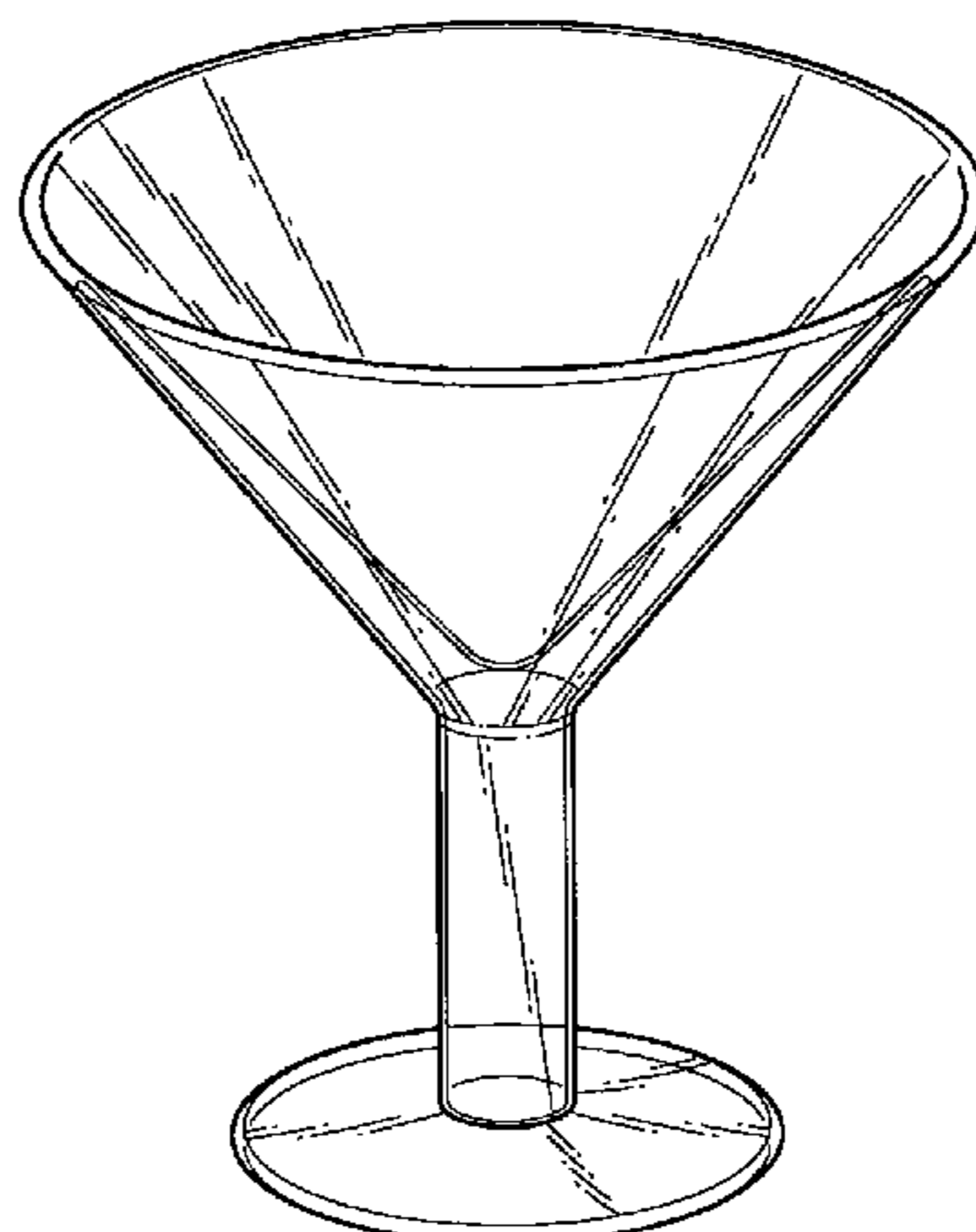
(57) **CLAIM**

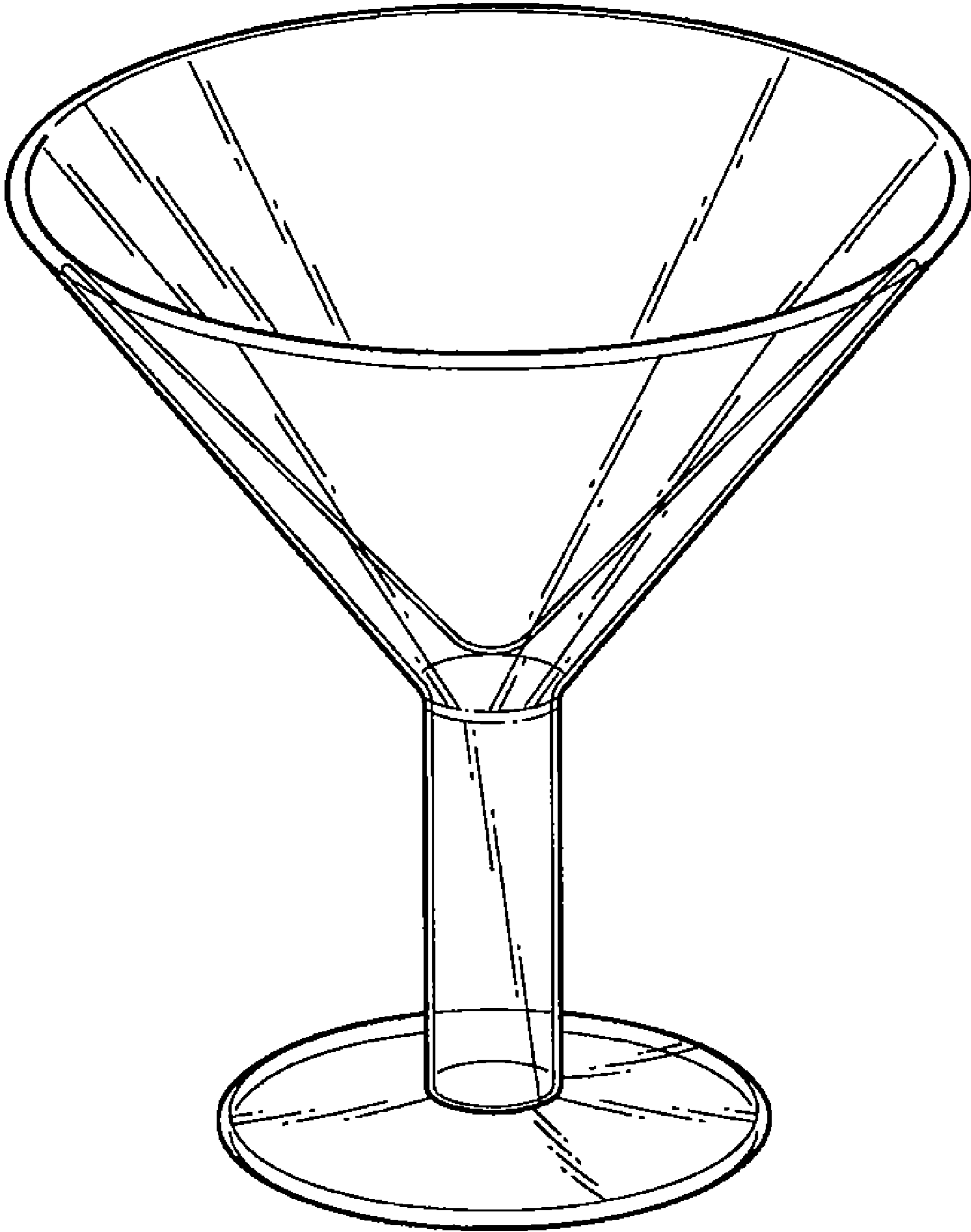
The ornamental design for a martini glass, as shown and described.

**DESCRIPTION**

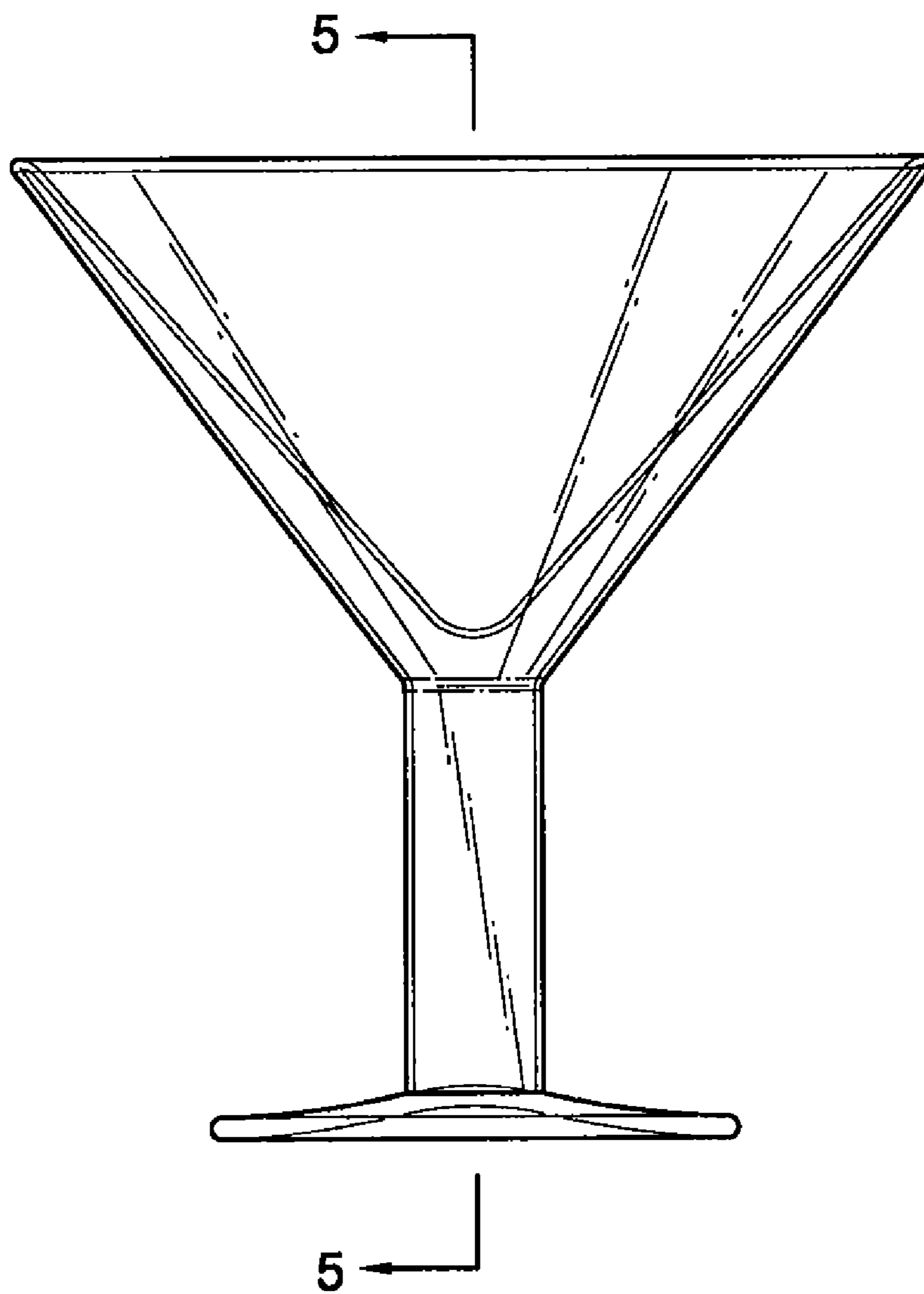
FIG. 1 is a perspective view of the martini glass showing my new design thereof;  
FIG. 2 is a front view thereof;  
FIG. 3 is a top view thereof;  
FIG. 4 is a bottom view thereof; and,  
FIG. 5 is a front cross-sectional view taken along line 5—5 in FIG. 2.

**1 Claim, 4 Drawing Sheets**

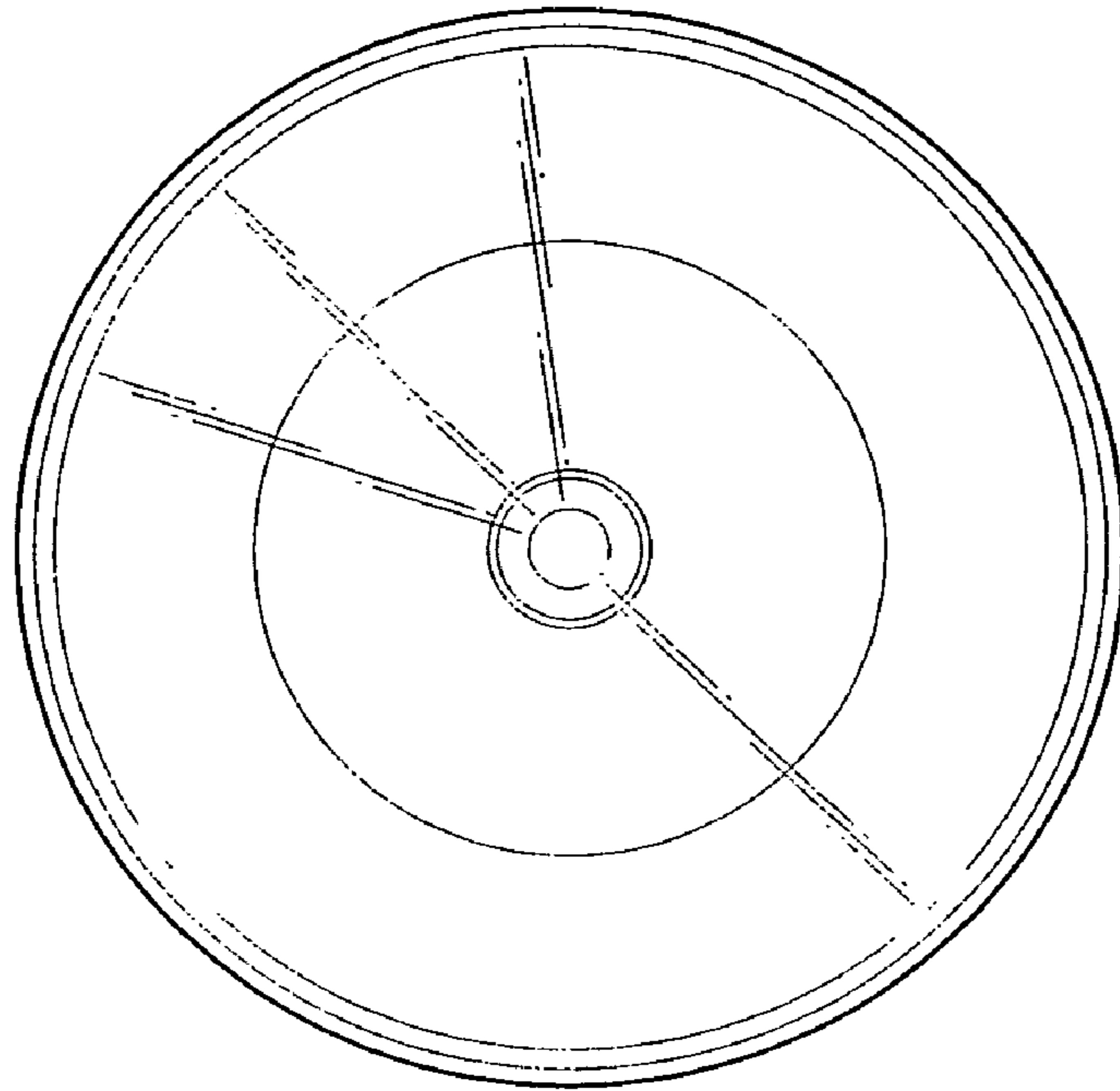




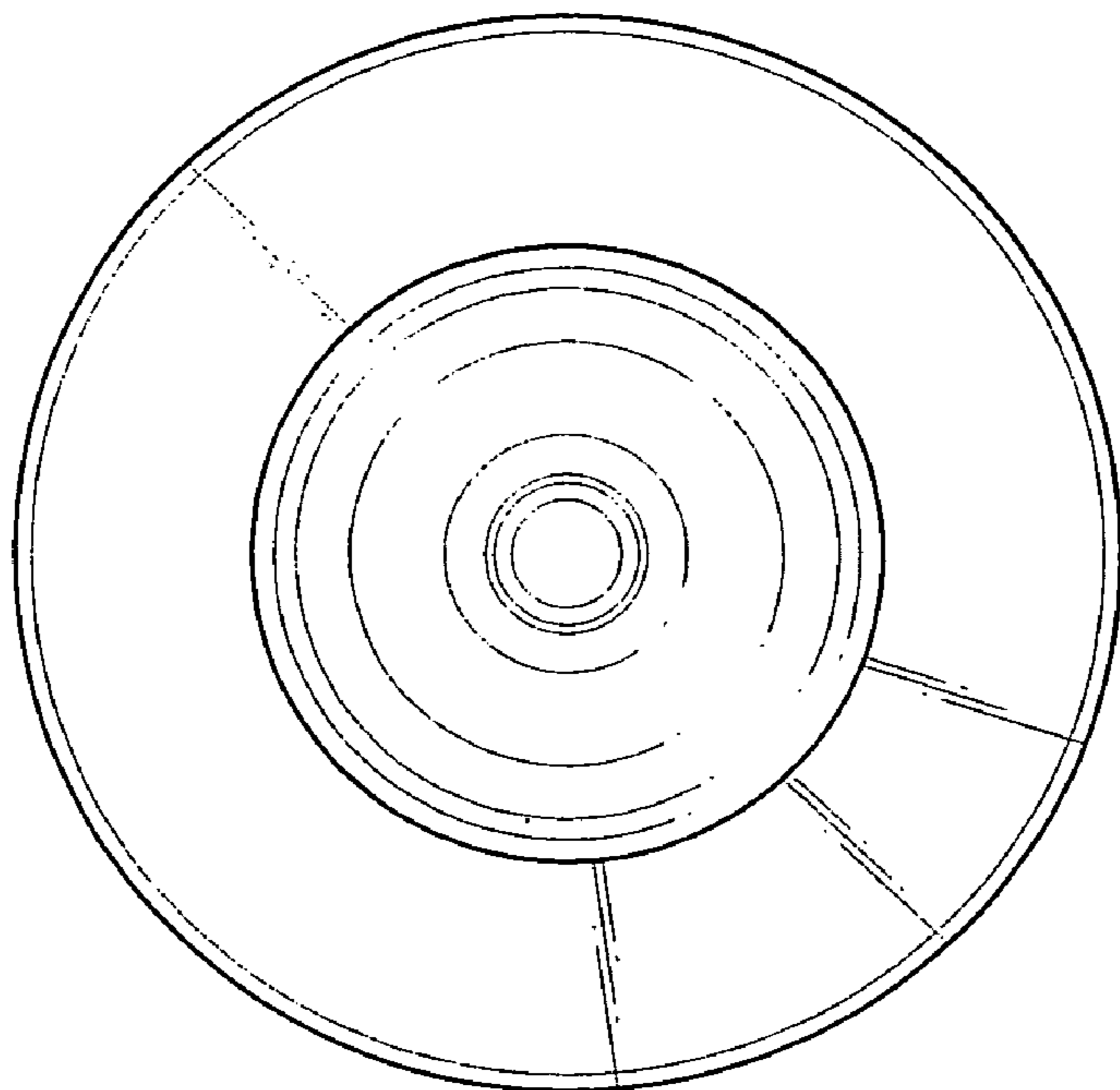
**FIG. 1**



**FIG. 2**



**FIG. 3**



**FIG. 4**

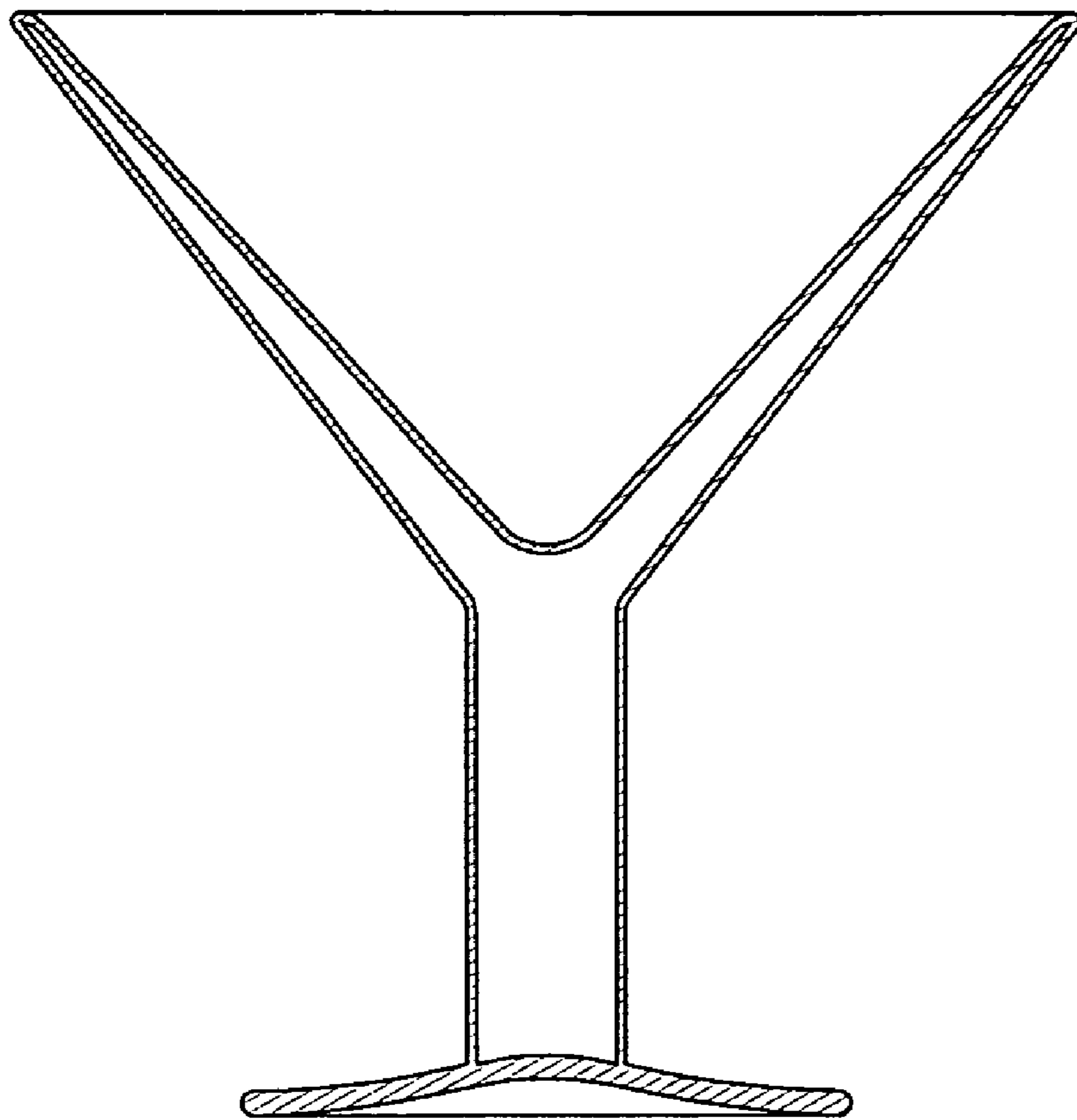


FIG. 5