

US00D563719S

(12) **United States Design Patent**  
**Fitzgerald**

(10) **Patent No.:** **US D563,719 S**  
(45) **Date of Patent:** **\*\* Mar. 11, 2008**

- (54) **FOOD COOKER**
- (75) Inventor: **Christian Fitzgerald**, Atlanta, GA (US)
- (73) Assignee: **FC Industries, LLC**, Atlanta, GA (US)
- (\*\*) Term: **14 Years**
- (21) Appl. No.: **29/279,406**
- (22) Filed: **Apr. 30, 2007**

4,503,835 A	3/1985	Williams	
4,850,333 A	7/1989	Dellrud et al.	
4,924,845 A	5/1990	Johnson et al.	
5,216,947 A *	6/1993	Cheng .....	99/417
5,404,864 A	4/1995	Kent	
5,431,093 A	7/1995	Dodgen	
5,456,163 A	10/1995	Ceravolo	
5,535,664 A	7/1996	Rokowski	
5,649,477 A	7/1997	Lingwood	

**Related U.S. Application Data**

- (63) Continuation of application No. 11/071,986, filed on Mar. 3, 2005, which is a continuation of application No. 10/465,252, filed on Jun. 19, 2003, now abandoned.

- (51) **LOC (8) Cl.** ..... **07-02**
- (52) **U.S. Cl.** ..... **D7/356**
- (58) **Field of Classification Search** ..... D7/323, D7/332, 354-360, 665, 672; 99/324, 325, 99/340, 357, 395, 410, 417, 482; 126/19 R, 126/20, 25 R, 38, 275 R, 275 E, 369, 377; 219/620-622, 385, 386; 220/573.1-574  
See application file for complete search history.

(56) **References Cited**

**U.S. PATENT DOCUMENTS**

522,399 A *	7/1894	Beveridge .....	126/369
1,284,299 A	11/1918	Freeon	
1,485,292 A	2/1924	Popper	
2,397,766 A *	4/1946	Tullis .....	126/38
D222,310 S *	10/1971	Zaubrecher .....	D7/332
3,776,127 A *	12/1973	Muse .....	99/482
3,791,368 A	2/1974	Hunt	

**OTHER PUBLICATIONS**

COMALCO of Texas, USA, Rocket Roaster Owner's Manual, 12 pages, date of publication unknown.

*Primary Examiner*—Caron D. Veynar

*Assistant Examiner*—Ricky Pham

(74) *Attorney, Agent, or Firm*—Gardner Groff Greenwald & Villanueva, P.C.

(57) **CLAIM**

The ornamental design for a food cooker, as shown and described.

**DESCRIPTION**

FIG. 1 is a perspective view of a food cooker.

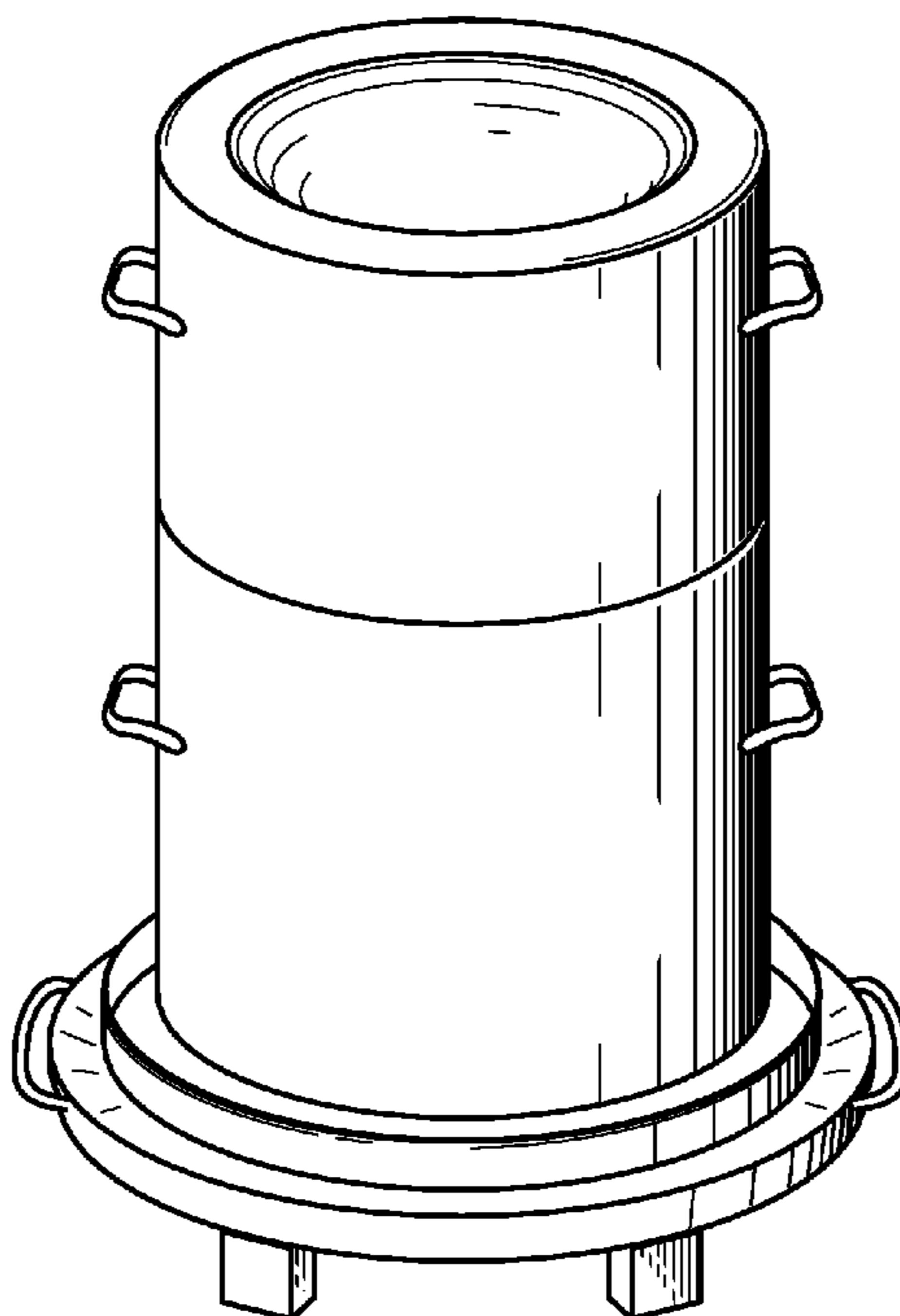
FIG. 2 is a front elevation view of the food cooker as shown in FIG. 1, the rear elevation view being a mirror image;

FIG. 3 is a side elevation view of the food cooker as shown in FIG. 1, the opposite side being a mirror image;

FIG. 4 is a bottom plan view of the food cooker as shown in FIG. 1; and,

FIG. 5 is a top plan view of the food cooker as shown in FIG. 1.

**1 Claim, 3 Drawing Sheets**



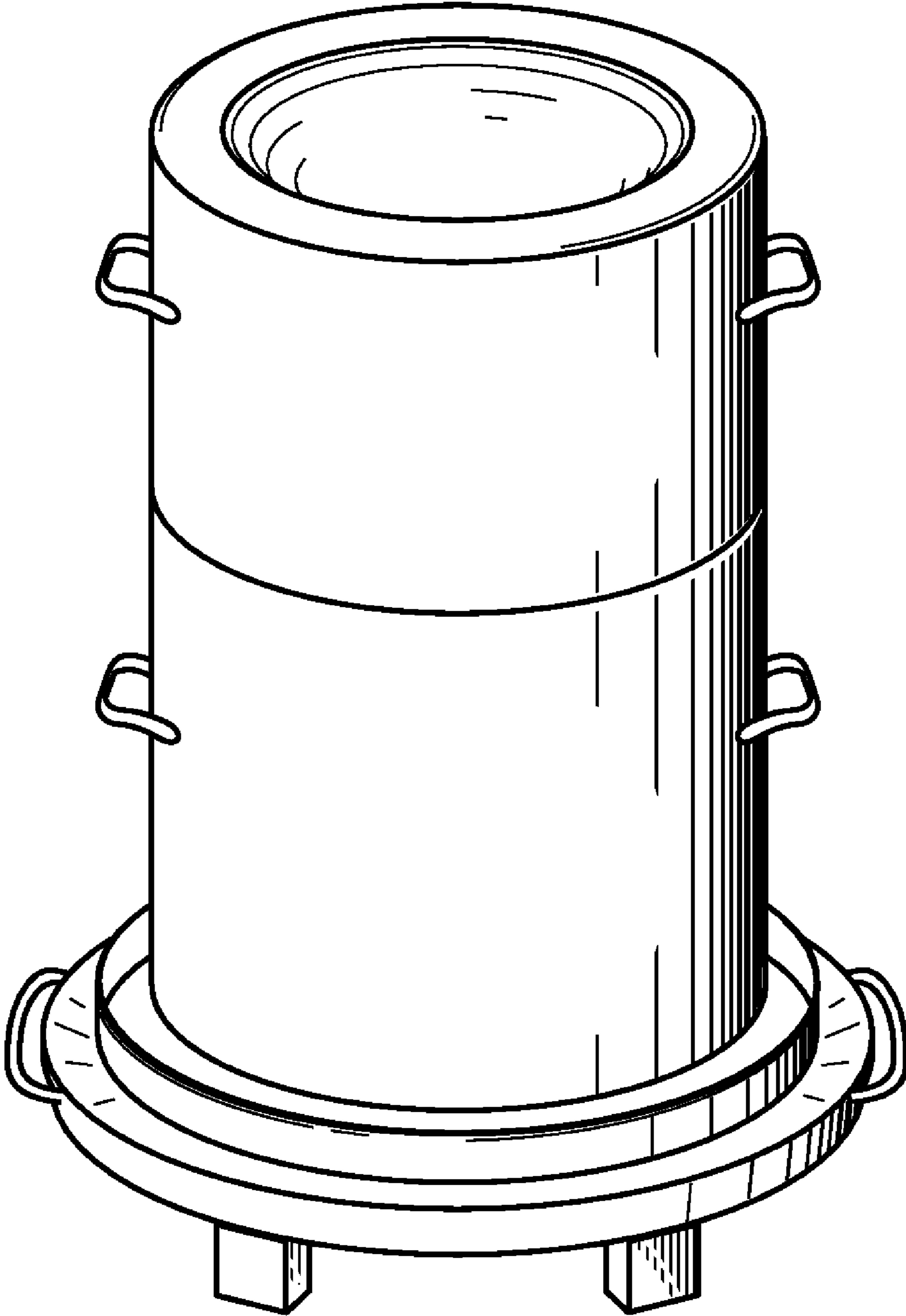
# US D563,719 S

Page 2

## U.S. PATENT DOCUMENTS

5,687,704 A	11/1997	Lerch et al.	6,213,006 B1	4/2001	Reardon et al.
5,752,497 A	5/1998	Combs et al.	6,272,976 B1	8/2001	Berryman
5,797,386 A	8/1998	Orr	6,289,795 B1	9/2001	McLemore
5,823,174 A	10/1998	Andress	D463,948 S *	10/2002	Innes ..... D7/332
5,842,463 A	12/1998	Hall	D486,040 S *	2/2004	Lo et al. .... D7/665
5,983,882 A	11/1999	Ceravolo	D486,348 S *	2/2004	Zhu ..... D7/332
6,058,830 A *	5/2000	Bourgeois ..... 99/340	6,688,301 B1	2/2004	McNeil
6,095,130 A	8/2000	Faraj	6,718,966 B1	4/2004	Barbour
6,125,835 A	10/2000	Montano	D521,328 S *	5/2006	Morgan ..... D7/672
6,138,661 A	10/2000	Cooper	D525,821 S *	8/2006	Latzman et al. .... D7/355
6,158,426 A	12/2000	Wardell	2003/0234014 A1 *	12/2003	Fitzgerald ..... 126/25 R
6,182,650 B1	2/2001	Tuttle	2005/0229916 A1 *	10/2005	Fitzgerald ..... 126/25 R

\* cited by examiner



**Fig. 1**

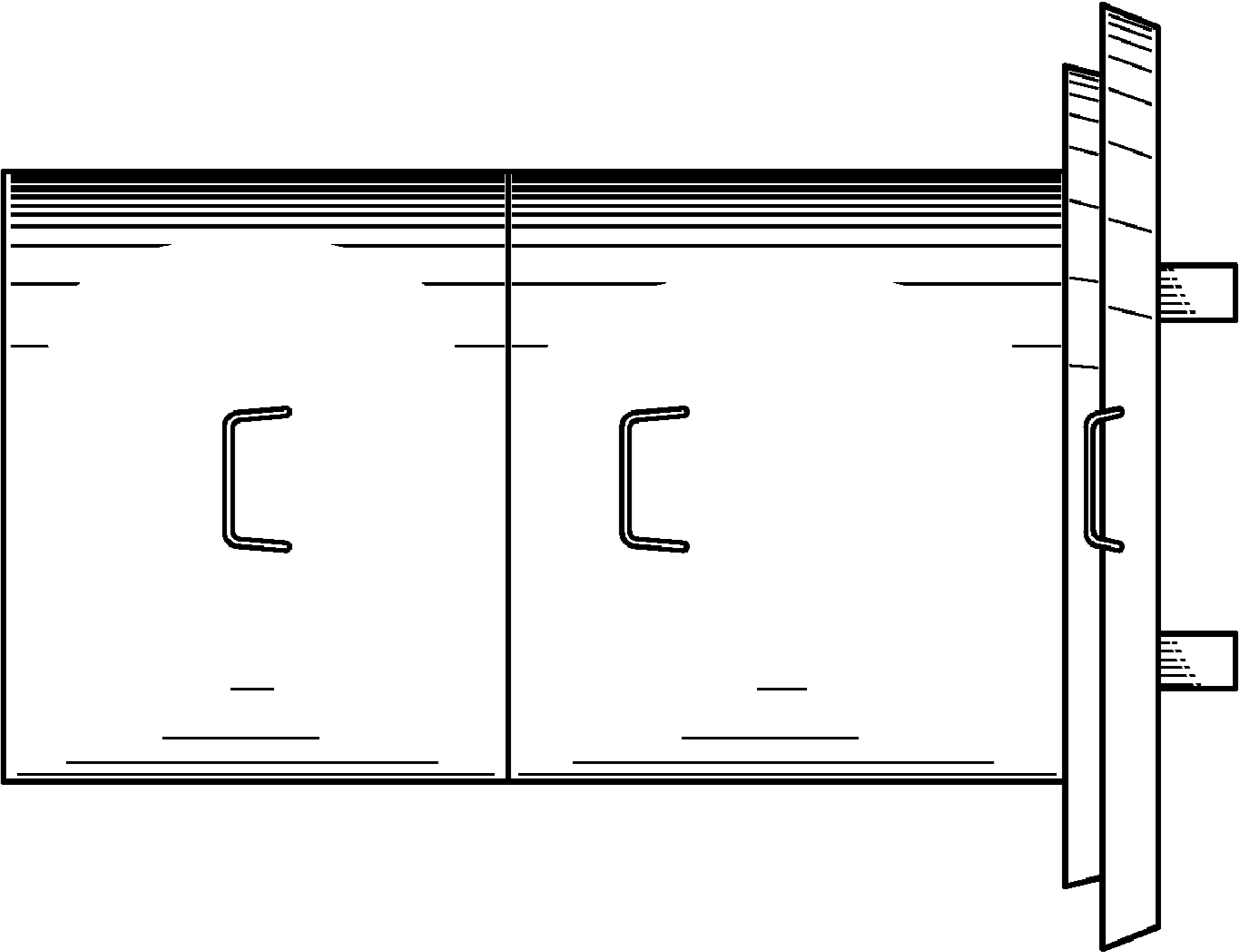


Fig. 2

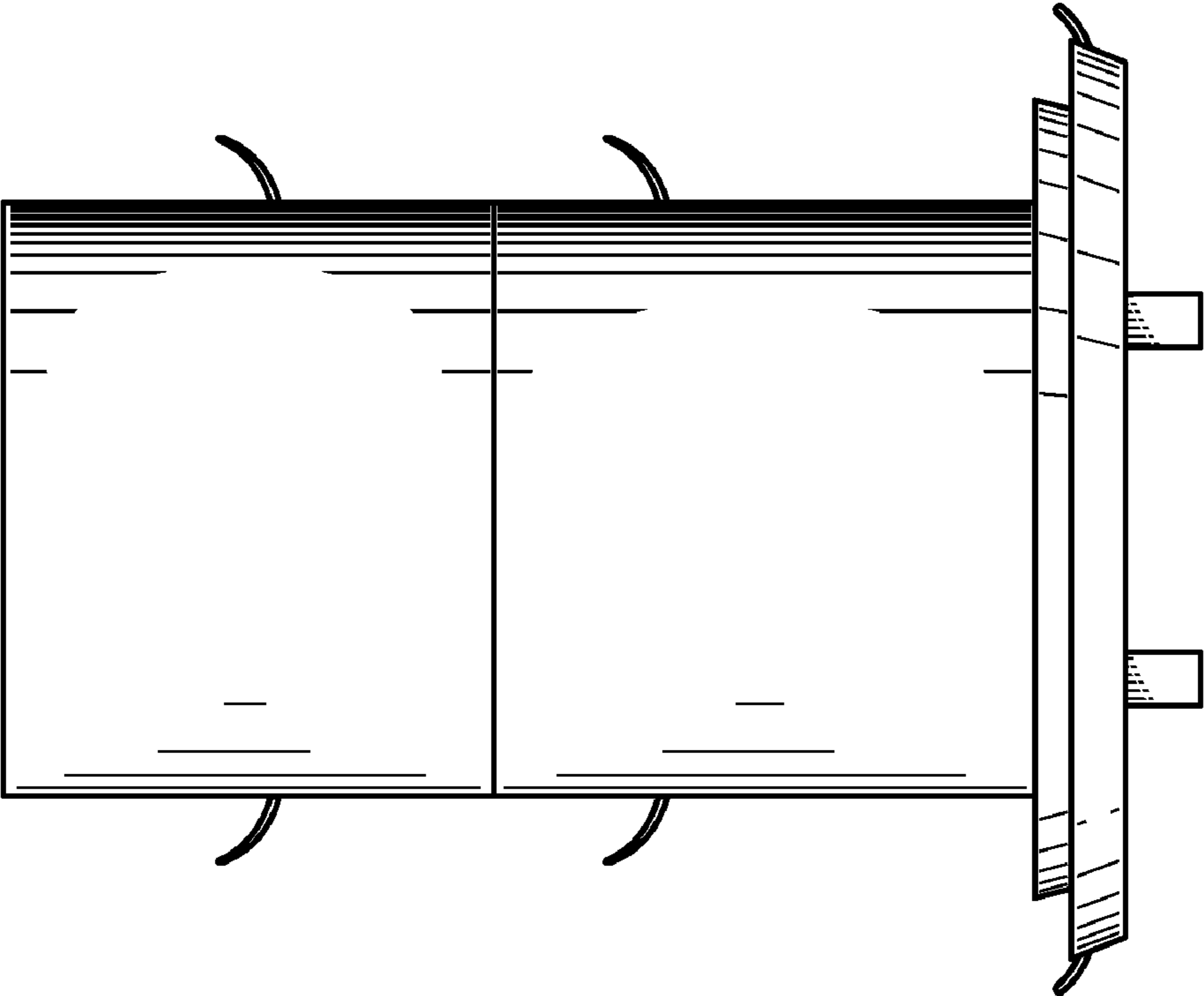
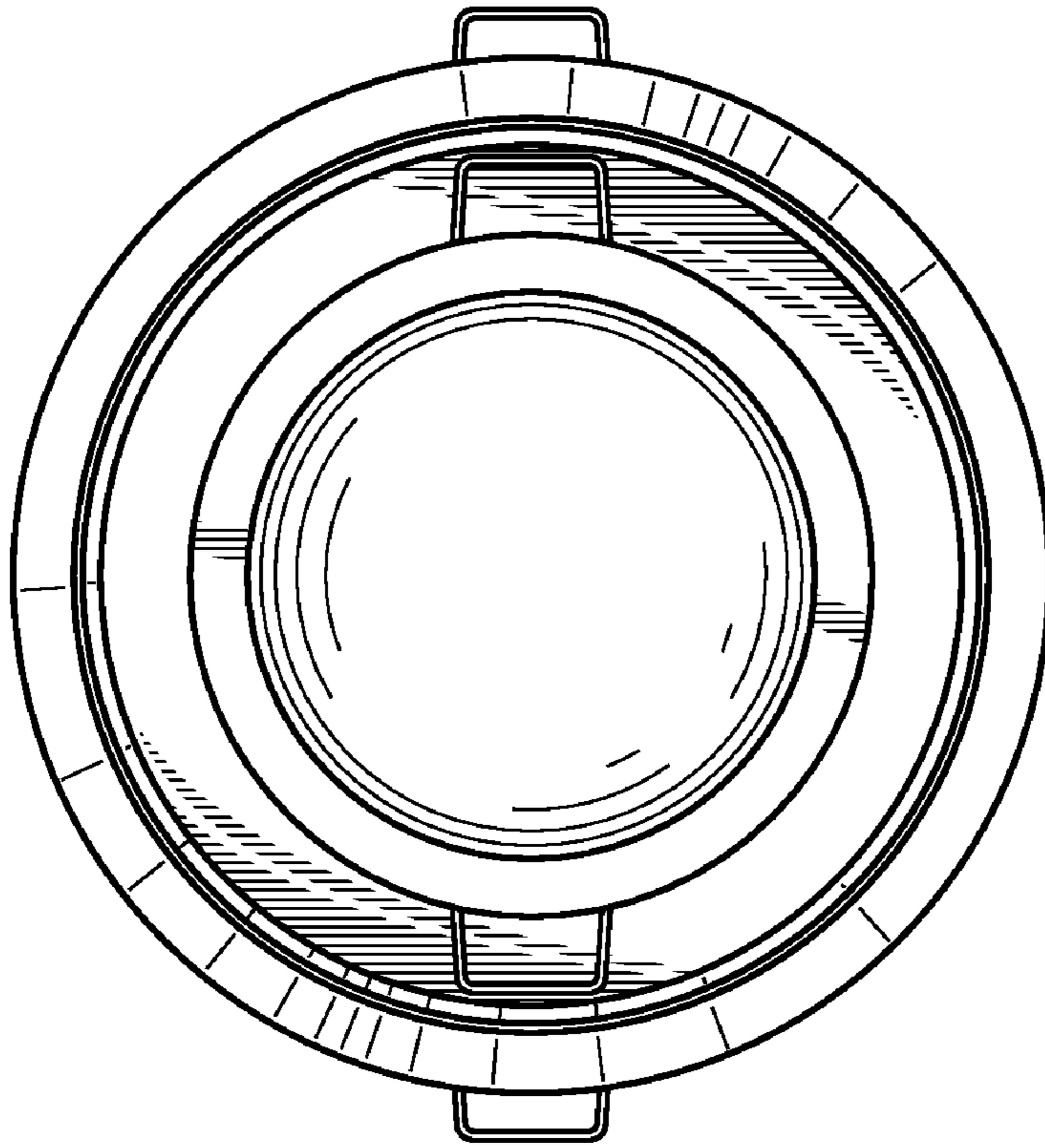
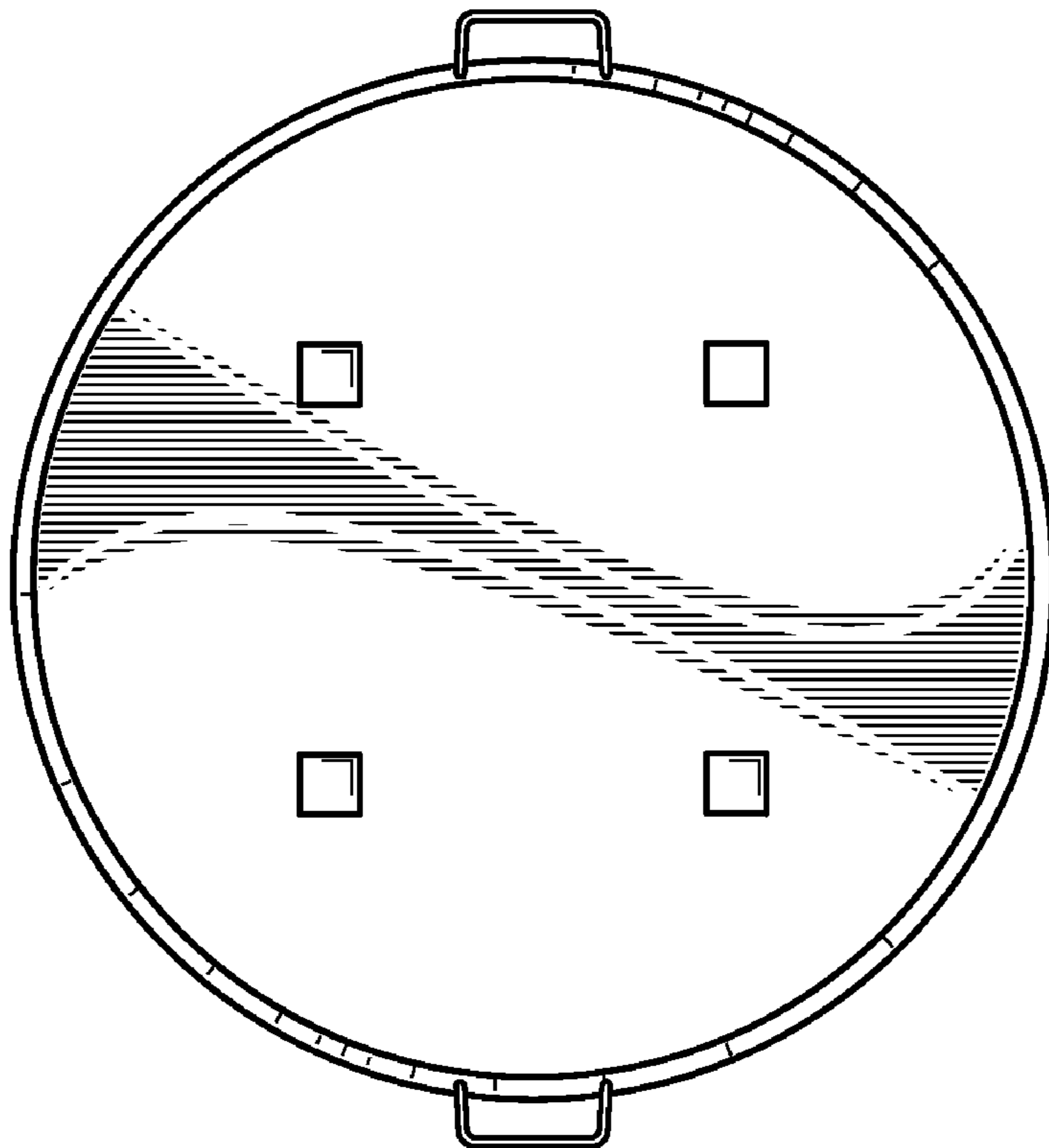


Fig. 3



**Fig. 5**



**Fig. 4**