



US00D563717S

(12) **United States Design Patent**  
**Rapaz**

(10) **Patent No.:** **US D563,717 S**  
(45) **Date of Patent:** **\*\* Mar. 11, 2008**

(54) **RECEPTACLE STAND**

(76) Inventor: **Antonio M. Rapaz**, 8989 Charles St.,  
Chilliwack (CA) V2P 4V8

(\*\*) Term: **14 Years**

(21) Appl. No.: **29/237,136**

(22) Filed: **Aug. 29, 2005**

(30) **Foreign Application Priority Data**

Aug. 23, 2005 (CA) ..... 112414

(51) **LOC (8) Cl.** ..... **07-02**

(52) **U.S. Cl.** ..... **D7/354**

(58) **Field of Classification Search** ..... D7/323,  
D7/393, 354-364, 550.1, 551.1, 552.1, 553.1,  
D7/543-548, 554.1-554.4, 558, 601-603,  
D7/605-608; 62/457.1, 457.6, 457.9; 99/324,  
99/339, 340, 422, 446, 448, 483; 220/573.1-573.4,  
220/574, 574.1, 575, 912; 294/172; D9/455,  
D9/456; 248/127, 146, 196, 176.2, 346.01-346.03  
See application file for complete search history.

(56) **References Cited**

**U.S. PATENT DOCUMENTS**

- D96,747 S \* 9/1935 Hadley ..... D7/403
- D103,562 S \* 3/1937 Cook ..... D9/455
- D232,564 S \* 8/1974 Kissin ..... D30/129
- D299,768 S \* 2/1989 Windom ..... D30/129
- D331,538 S \* 12/1992 Fabre ..... D9/455
- D340,761 S \* 10/1993 Long ..... D23/206
- D391,119 S 2/1998 Rapaz
- 5,957,123 A \* 9/1999 Addonizio et al. .... 126/390.1
- 6,024,014 A \* 2/2000 Kasai ..... 99/425
- D468,580 S \* 1/2003 Ruiseco ..... D7/355

- D522,307 S \* 6/2006 Mariani et al. .... D7/355
- D523,285 S \* 6/2006 Wells, Sr. .... D7/355
- D539,076 S \* 3/2007 Rapaz ..... D7/354
- D541,103 S \* 4/2007 Rapaz ..... D7/354

\* cited by examiner

*Primary Examiner*—Caron D. Veynar

*Assistant Examiner*—Ricky Pham

(74) *Attorney, Agent, or Firm*—Oyen Wiggs Green & Mutala LLP

(57) **CLAIM**

The ornamental design for a receptacle stand, as shown and described.

**DESCRIPTION**

FIG. 1 is a perspective view of a receptacle stand according to the design;

FIG. 2 is a top view thereof;

FIG. 3 is a side view thereof;

FIG. 4 is a bottom view thereof;

FIG. 5 is an end view thereof;

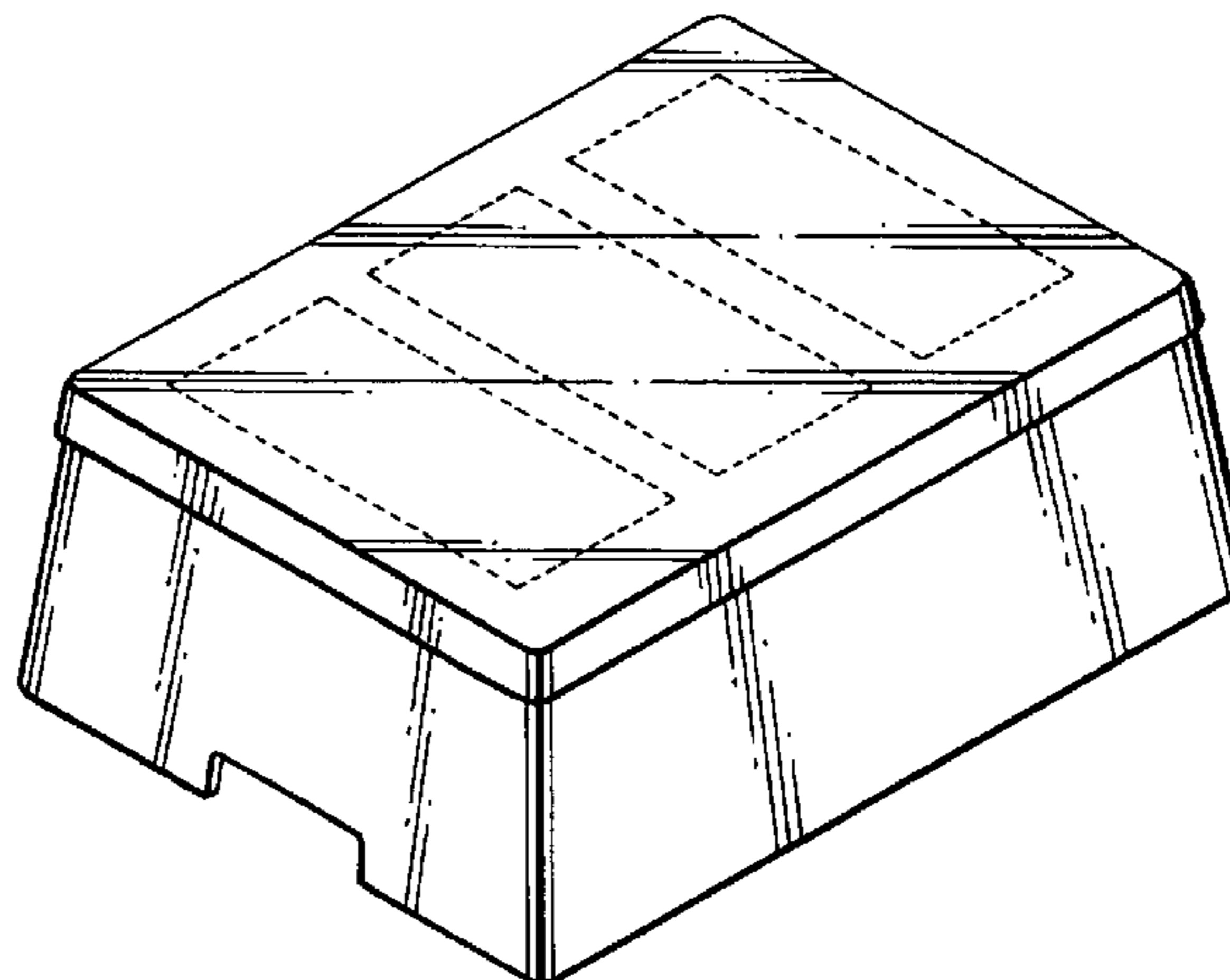
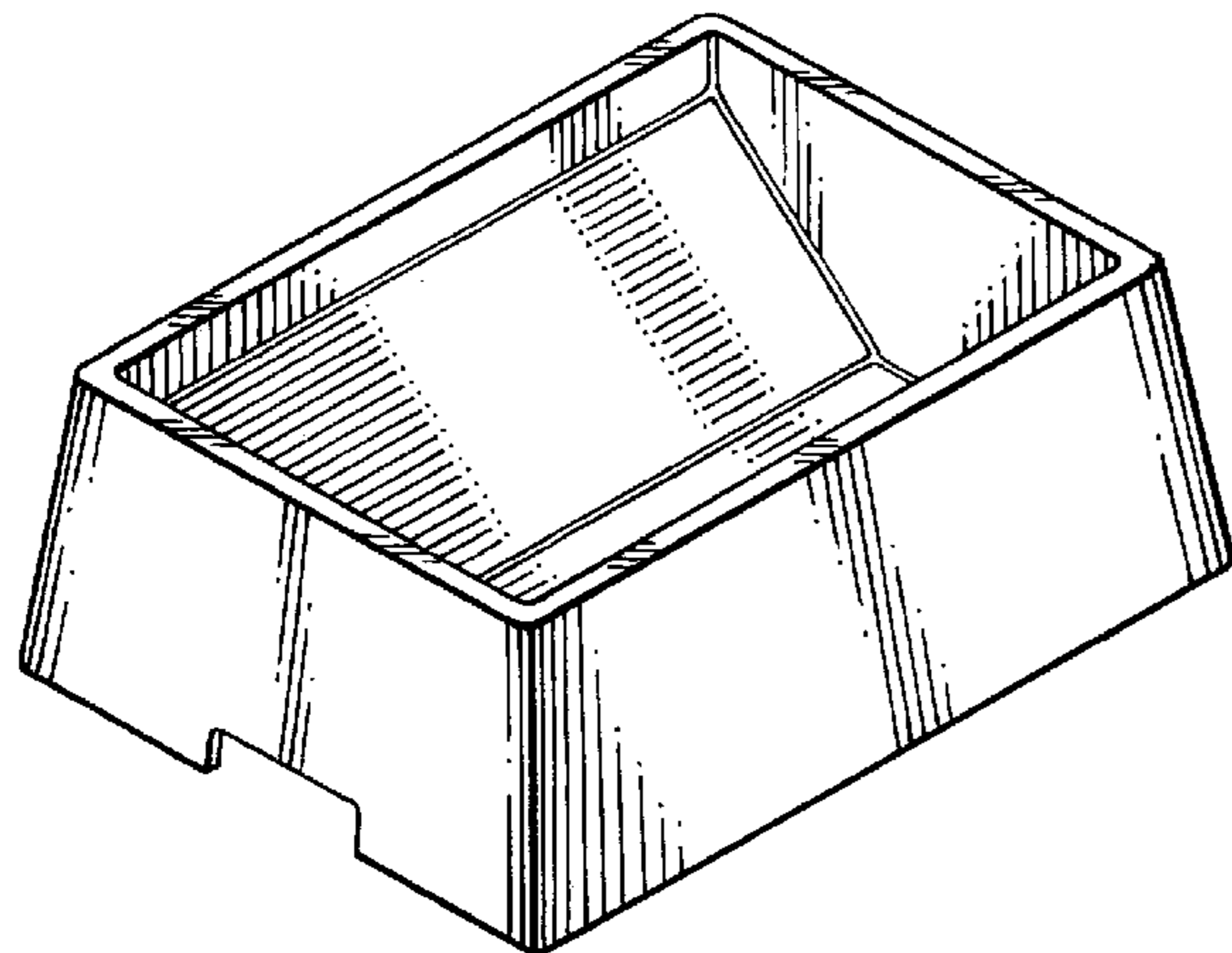
FIG. 6 is perspective view of a lid for placement on the receptacle stand of FIGS. 1-5, shown separately for ease of illustration;

FIG. 7 is a perspective view of the lid of FIG. 6 on the receptacle stand of FIGS. 1-5; shown together for completeness of illustration; and,

FIG. 8 is a perspective view of a variant of the lid of FIG. 6, shown separately for ease of illustration.

The broken lines shown in FIGS. 6-8 are for illustrative purposes only and form no part of the claimed design.

**1 Claim, 4 Drawing Sheets**



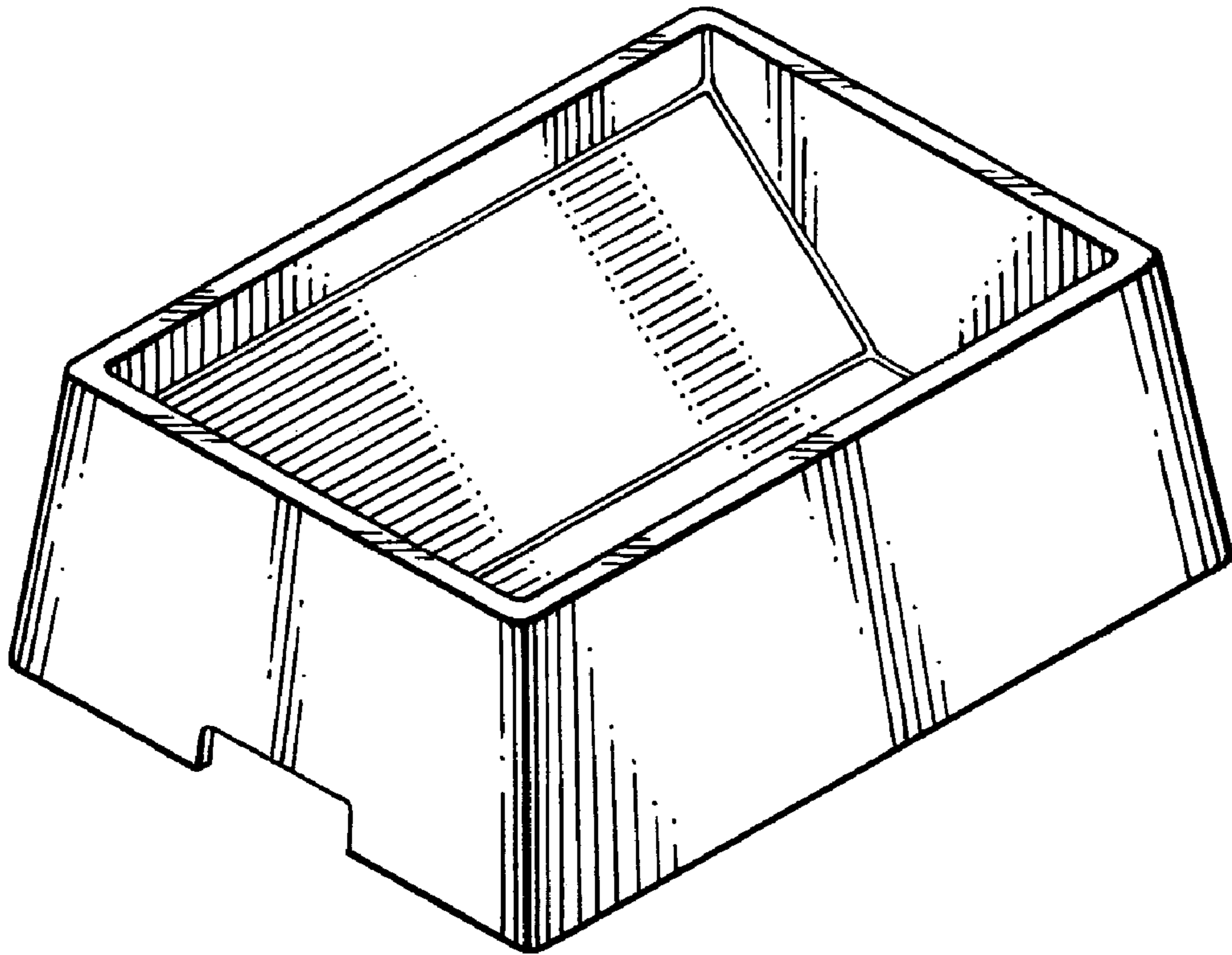


FIG. 1

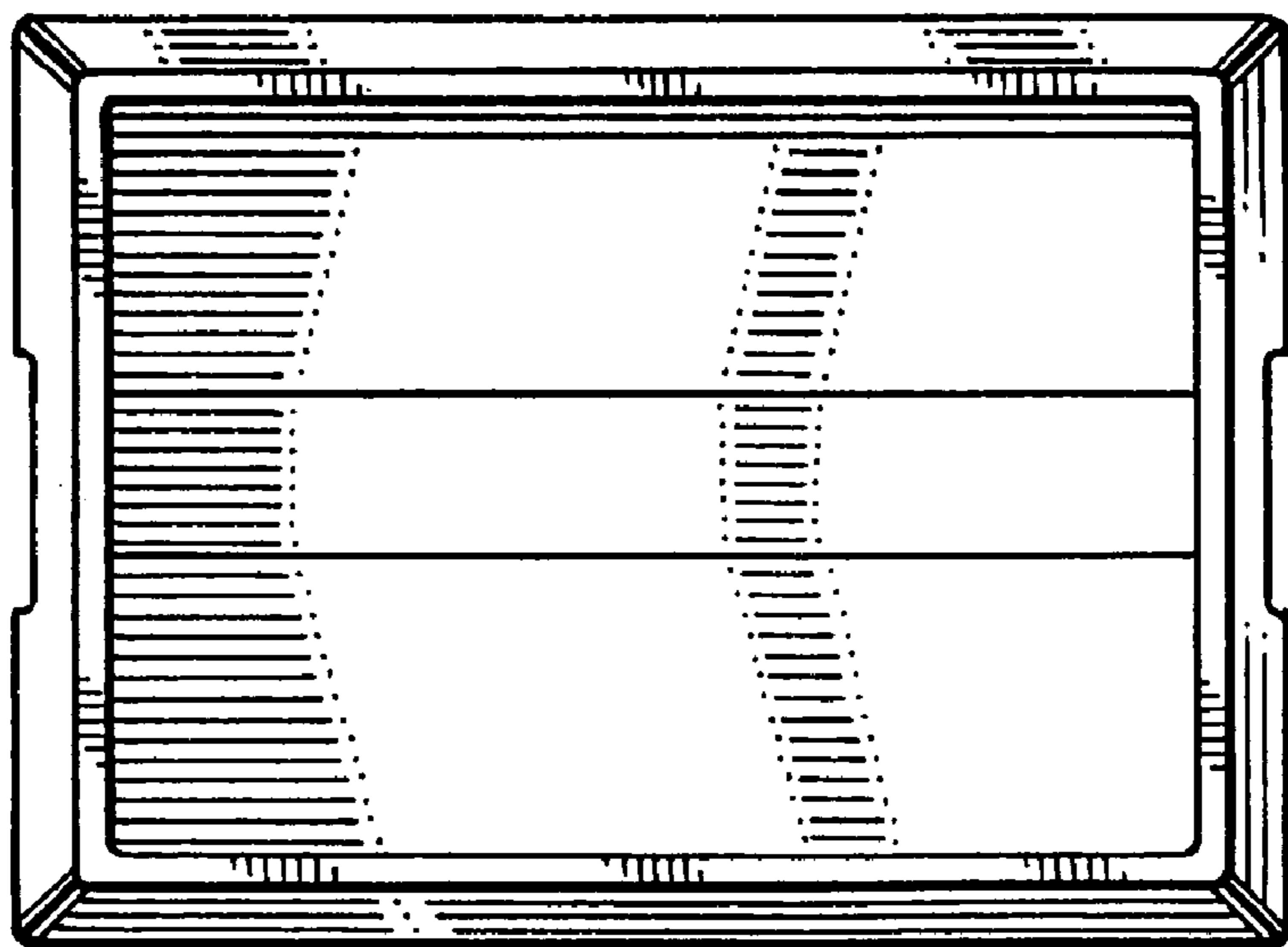


FIG. 2

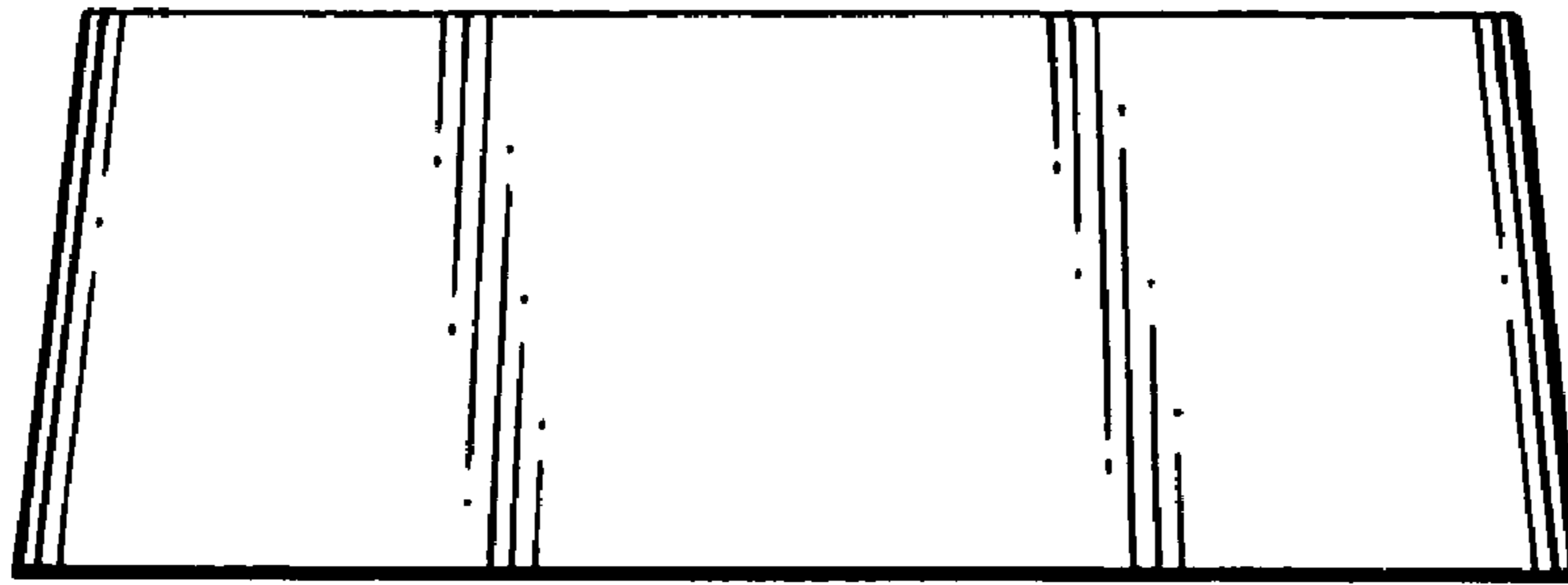


FIG. 3

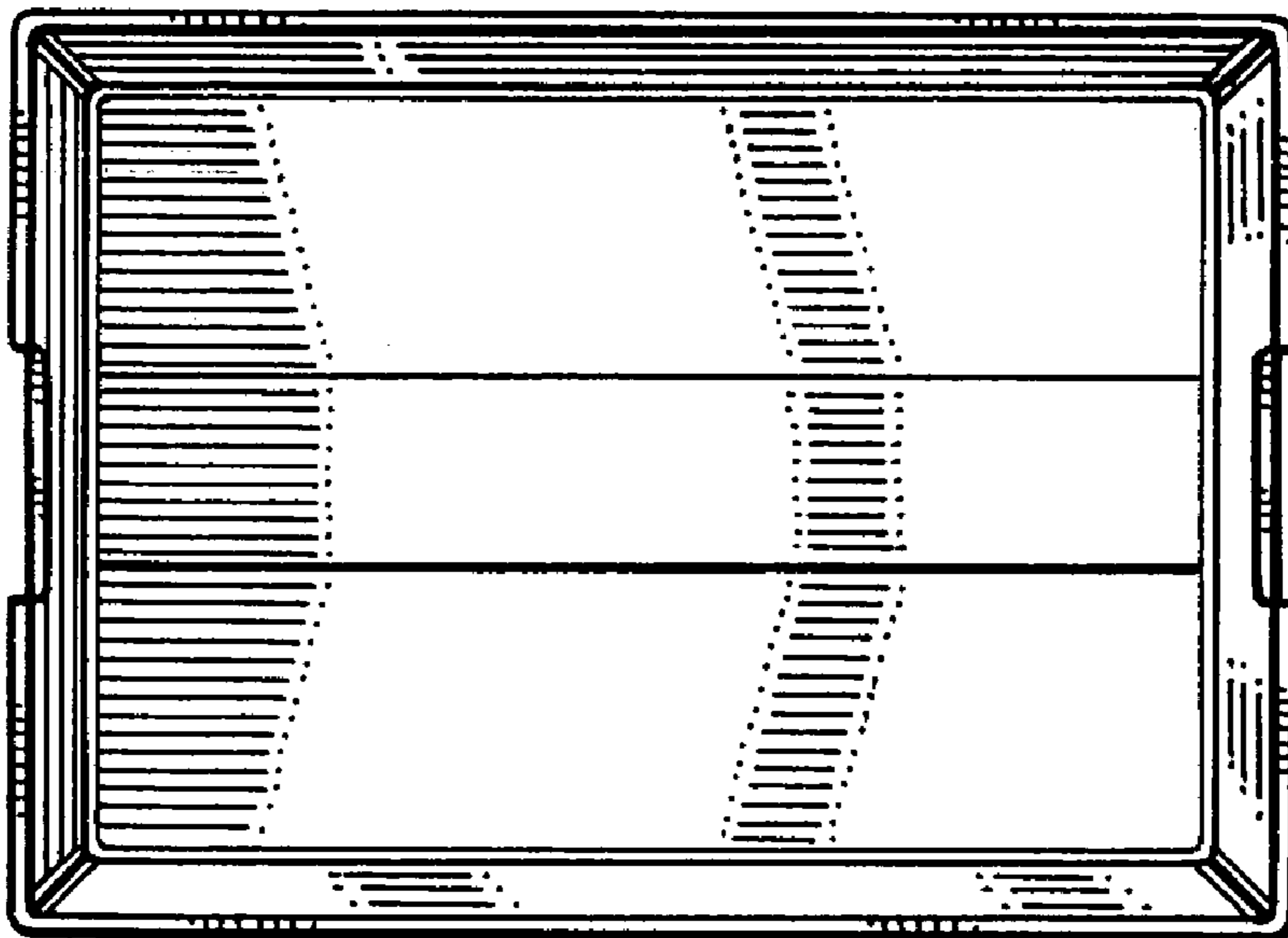


FIG. 4

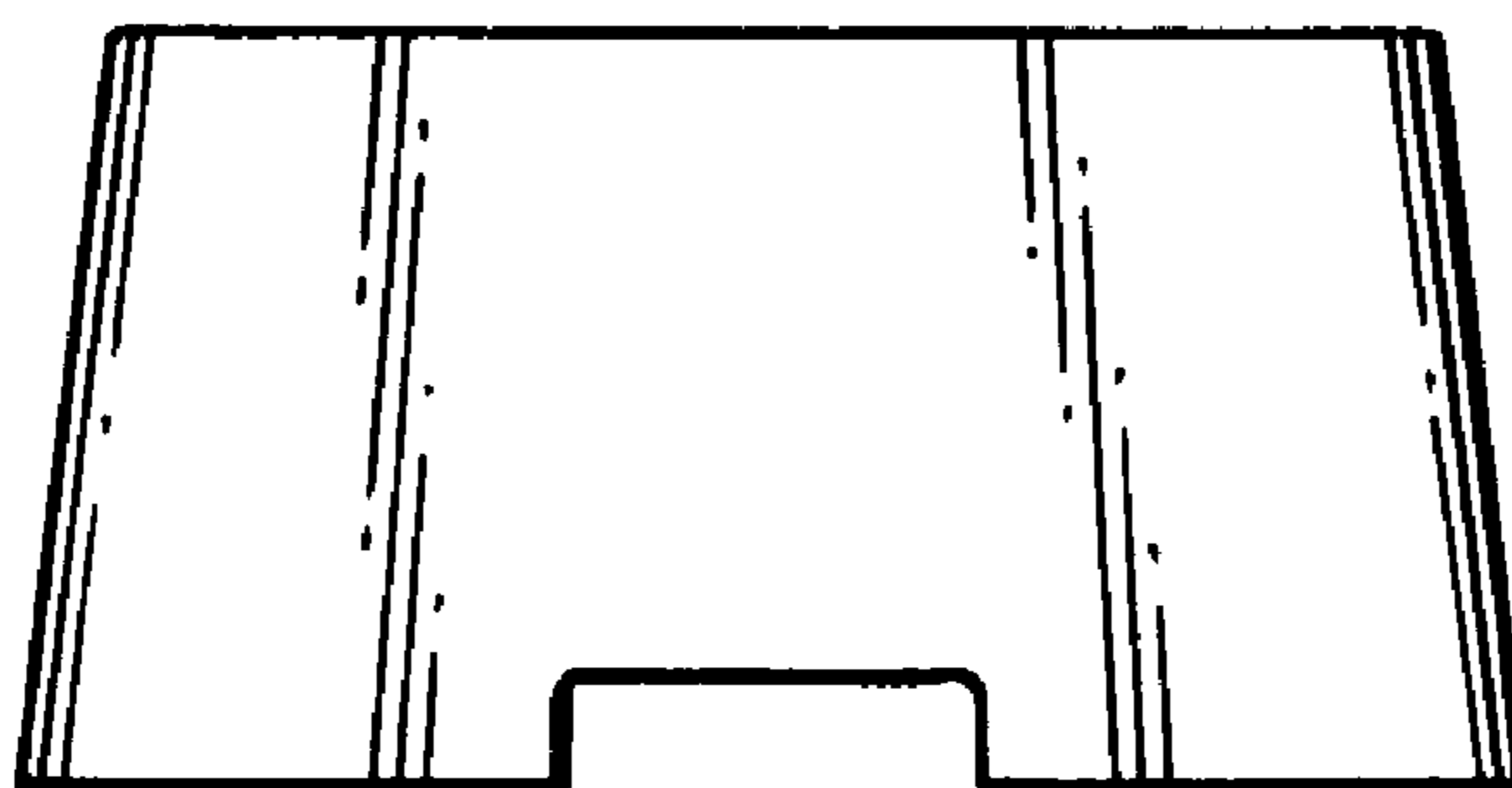


FIG. 5

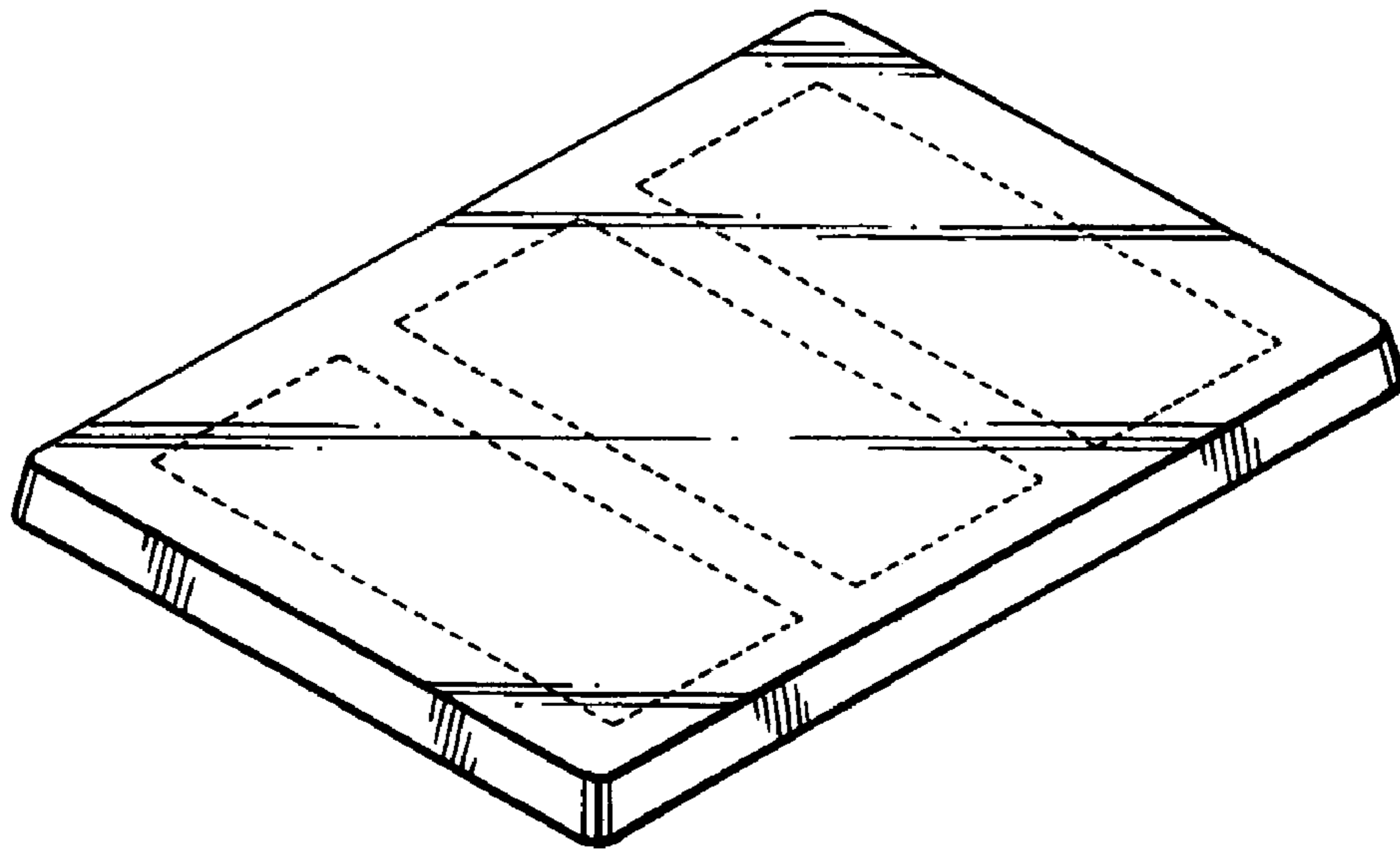


FIG. 6

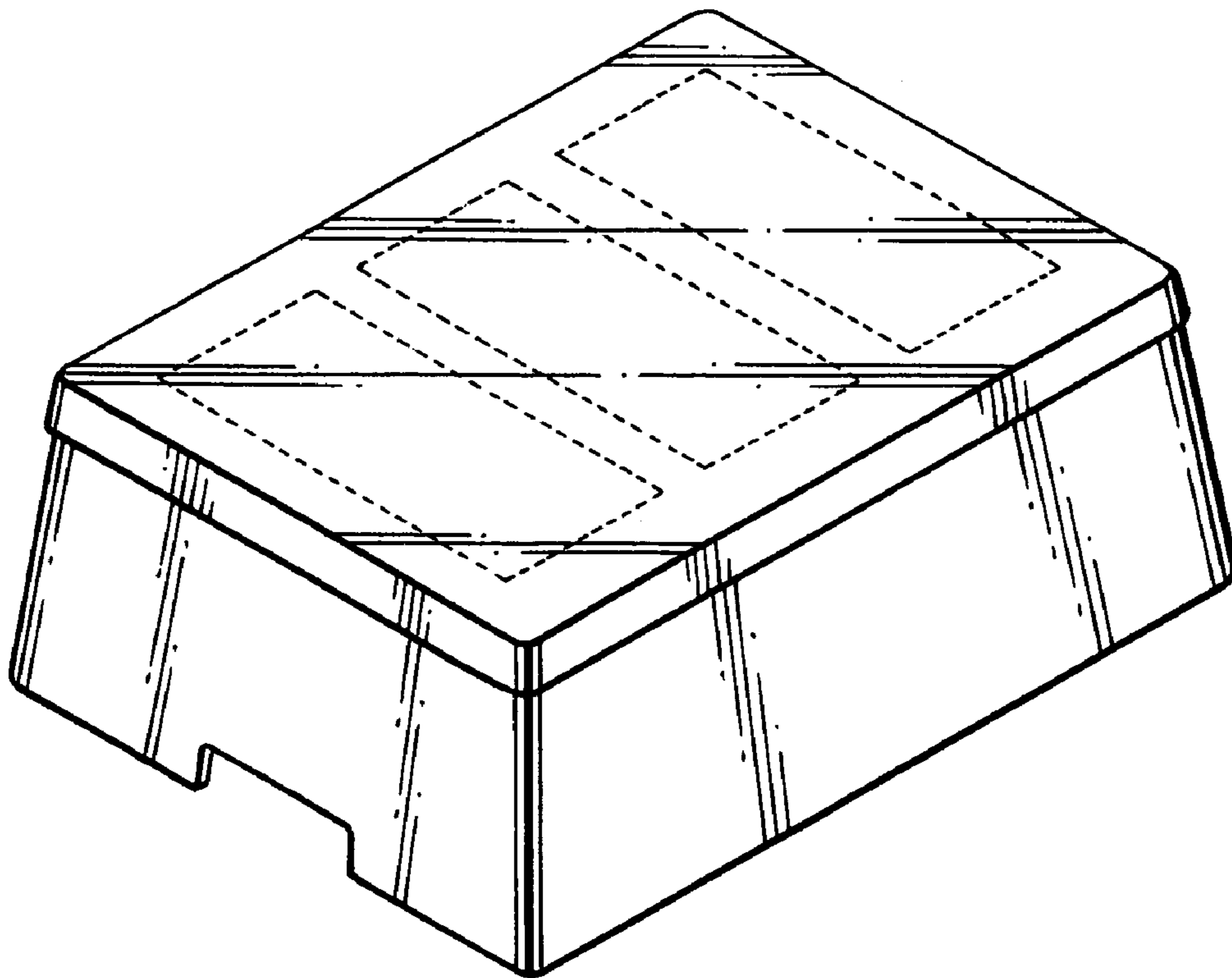


FIG. 7

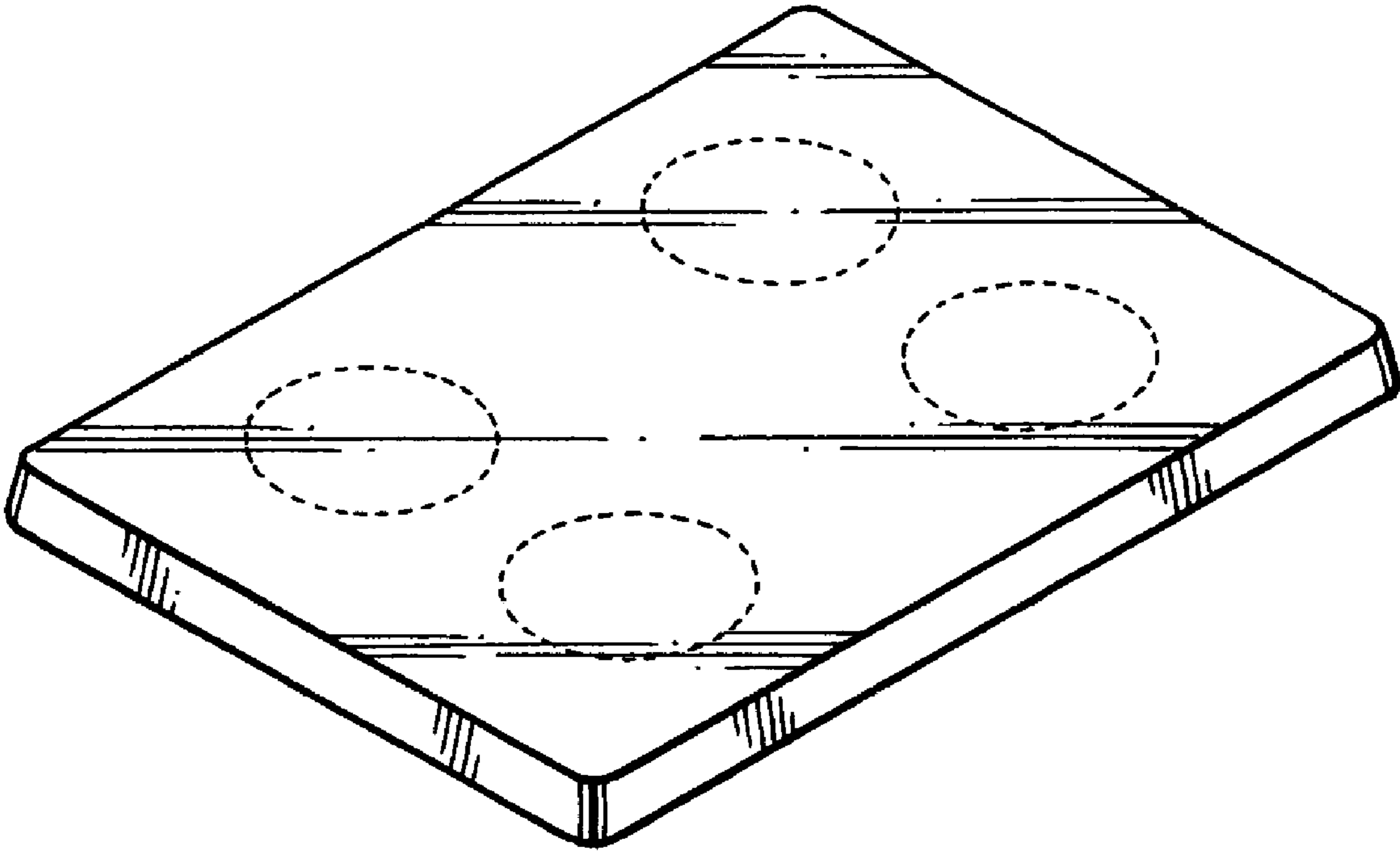


FIG. 8