



US00D563713S

(12) **United States Design Patent**  
**Bodum**

(10) **Patent No.:** **US D563,713 S**  
(45) **Date of Patent:** **\*\* Mar. 11, 2008**

(54) **COFFEE MAKER**

(75) Inventor: **Jørgen Bodum**, St. Niklausen (CH)

(73) Assignee: **Pi-Design AG**, Triengen (CH)

(\*\*) Term: **14 Years**

(21) Appl. No.: **29/263,035**

(22) Filed: **Jul. 14, 2006**

(30) **Foreign Application Priority Data**

Jan. 16, 2006 (DK) ..... DA 2006 00015

(51) **LOC (8) Cl.** ..... **07-01**

(52) **U.S. Cl.** ..... **D7/319; D7/317**

(58) **Field of Classification Search** ..... D7/300,  
D7/316–319, 312, 533, 536; 99/297, 319;  
222/146.1

See application file for complete search history.

(56) **References Cited**

**U.S. PATENT DOCUMENTS**

- D372,627 S \* 8/1996 Ireland ..... D7/319
- D377,132 S \* 1/1997 Jørgensen ..... D7/318
- D386,040 S \* 11/1997 Joergensen ..... D7/317
- D388,275 S \* 12/1997 Joergensen ..... D7/319
- D401,466 S \* 11/1998 Joergensen ..... D7/318
- D405,641 S \* 2/1999 Brady ..... D7/319
- D413,480 S \* 9/1999 Joergensen ..... D7/317

- D448,603 S \* 10/2001 Yeh ..... D7/319
- D449,957 S \* 11/2001 Yeh ..... D7/319
- D458,074 S \* 6/2002 Bodum ..... D7/319
- D500,626 S \* 1/2005 Ranzoni ..... D7/317
- D511,644 S \* 11/2005 Dilollo et al. .... D7/392
- D542,078 S \* 5/2007 Bodum ..... D7/319

\* cited by examiner

*Primary Examiner*—Marianne Pandozzi

(74) *Attorney, Agent, or Firm*—Cowan, Liebowitz & Latman, PC

(57) **CLAIM**

The ornamental design for a coffee maker, as shown and described.

**DESCRIPTION**

FIG. 1 is a perspective view of a coffee maker showing my new design;

FIG. 2 is a front view thereof;

FIG. 3 is a back view thereof;

FIG. 4 is a right side view thereof;

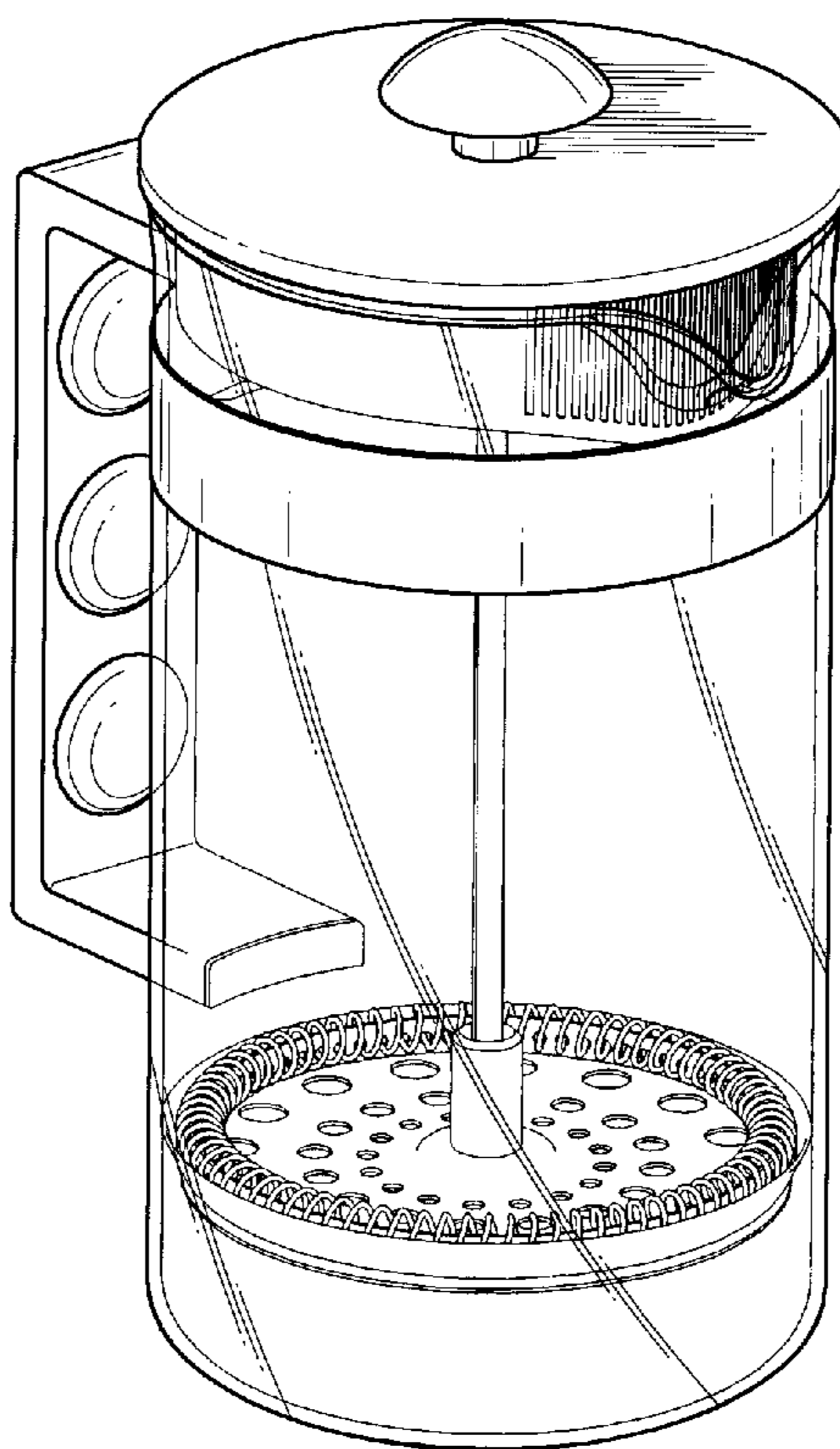
FIG. 5 is a left side view thereof;

FIG. 6 is a top view thereof;

FIG. 7 is a bottom view thereof; and,

FIG. 8 is a sectional view taken along line 8—8 of FIG. 6.

**1 Claim, 8 Drawing Sheets**



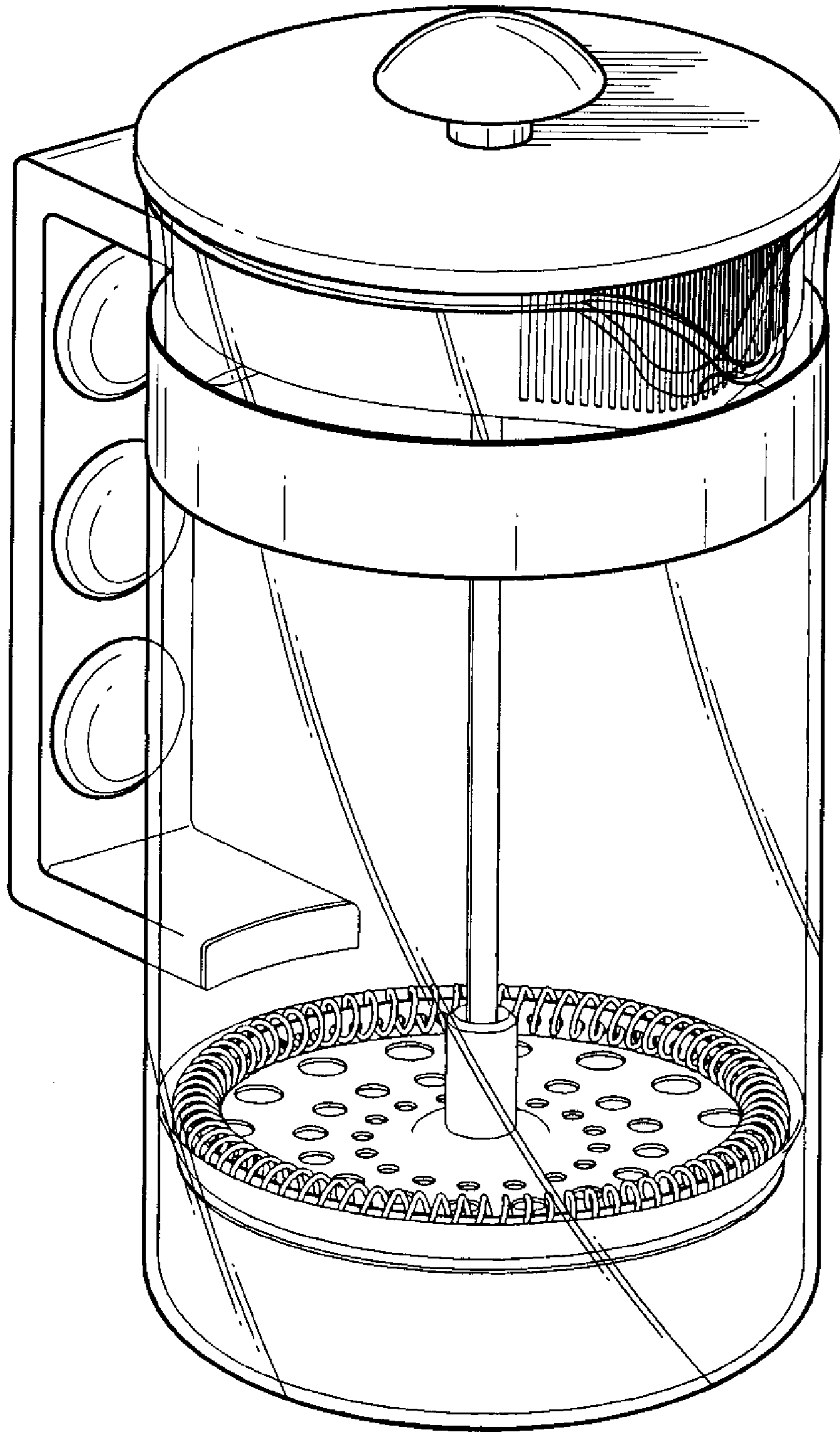
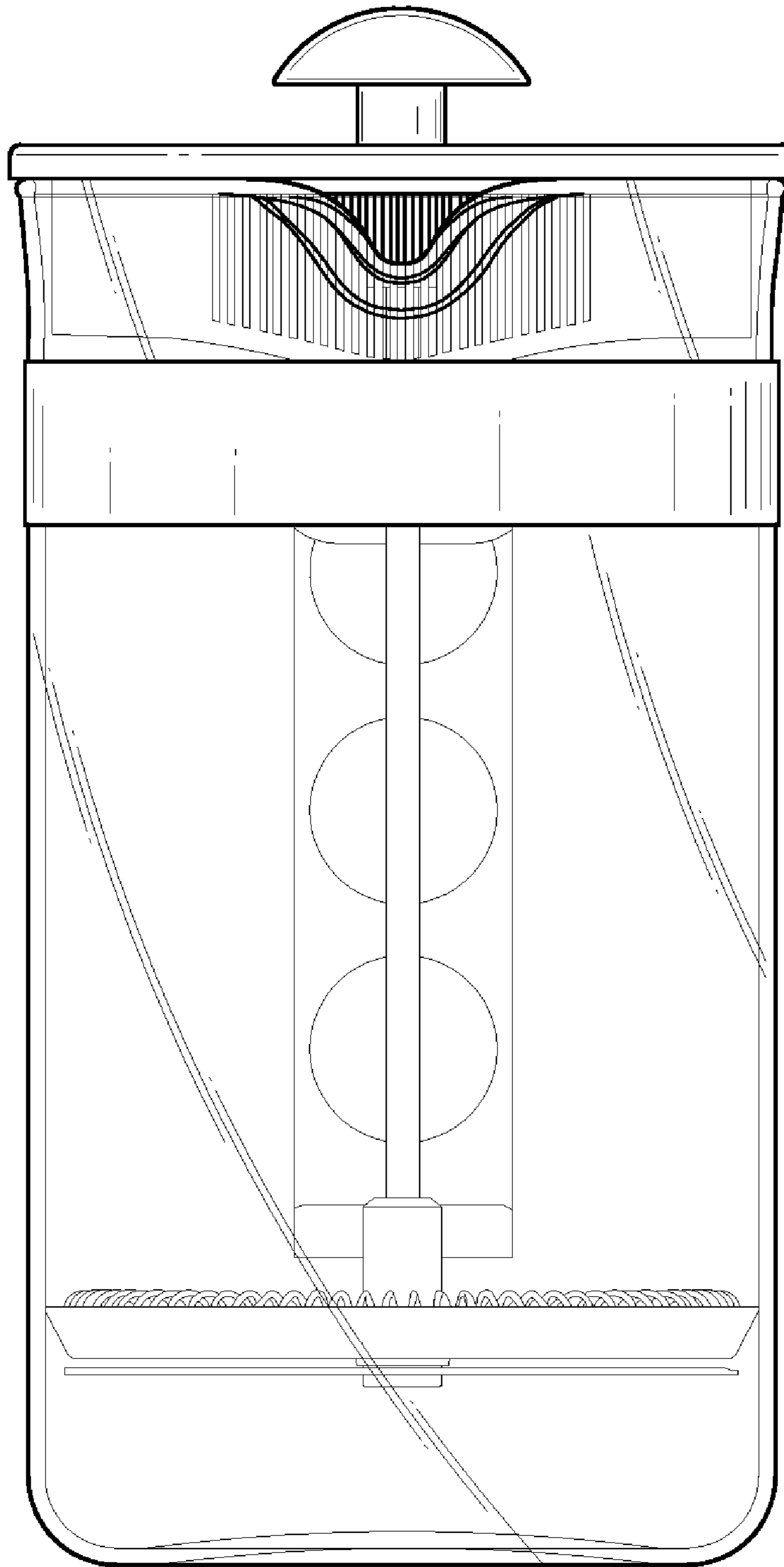


FIG. 1



**FIG. 2**

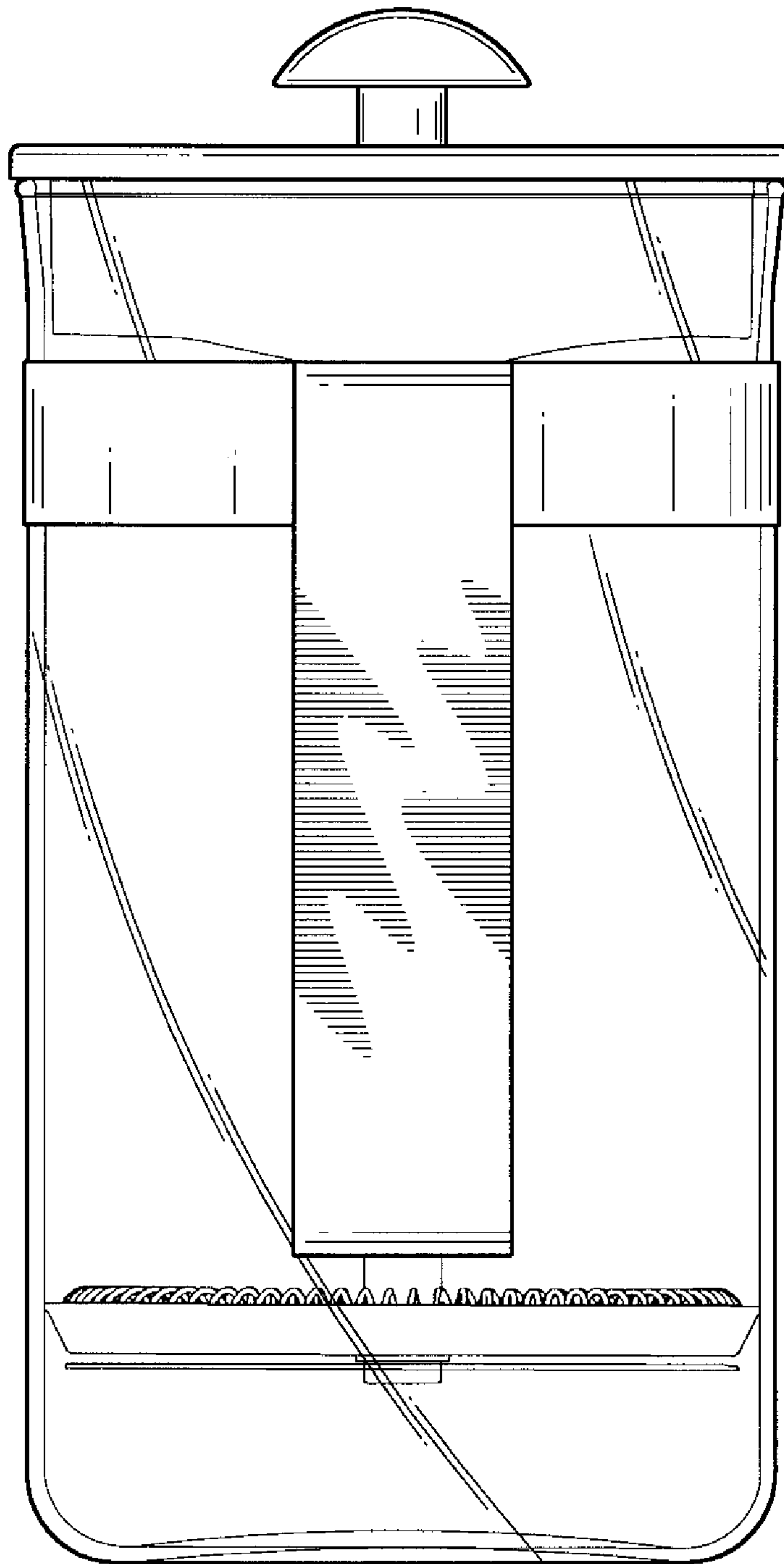


FIG. 3

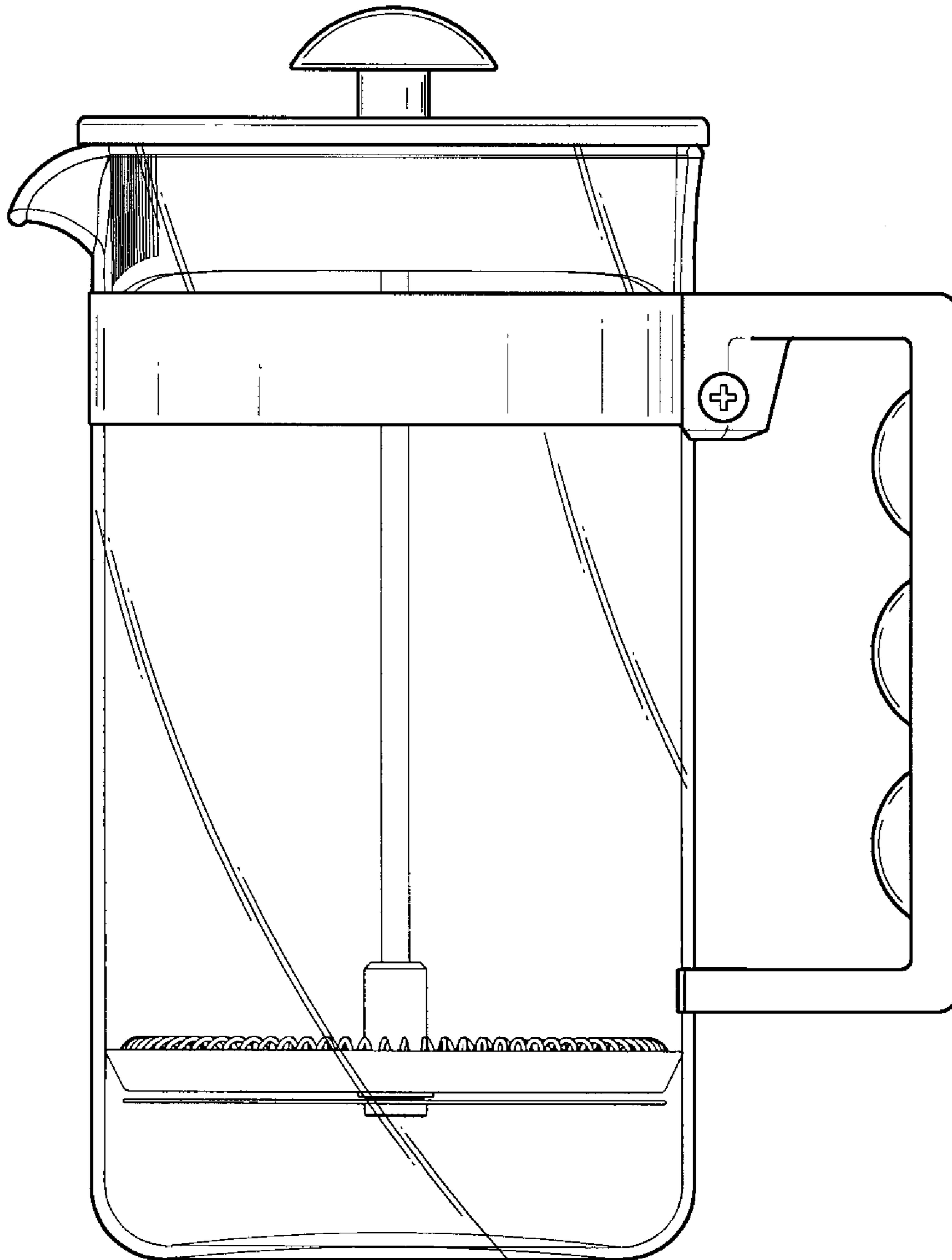


FIG. 4

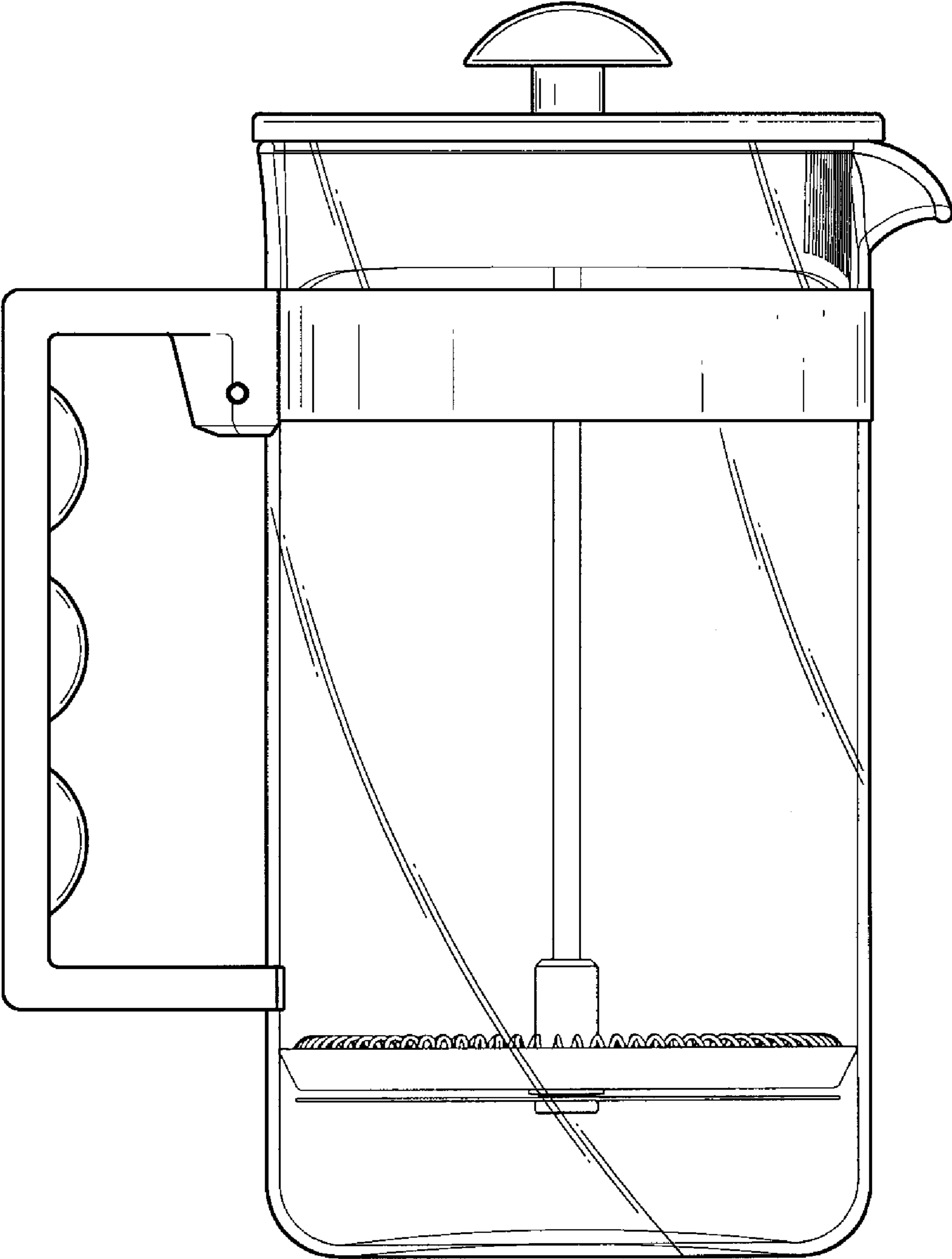


FIG. 5

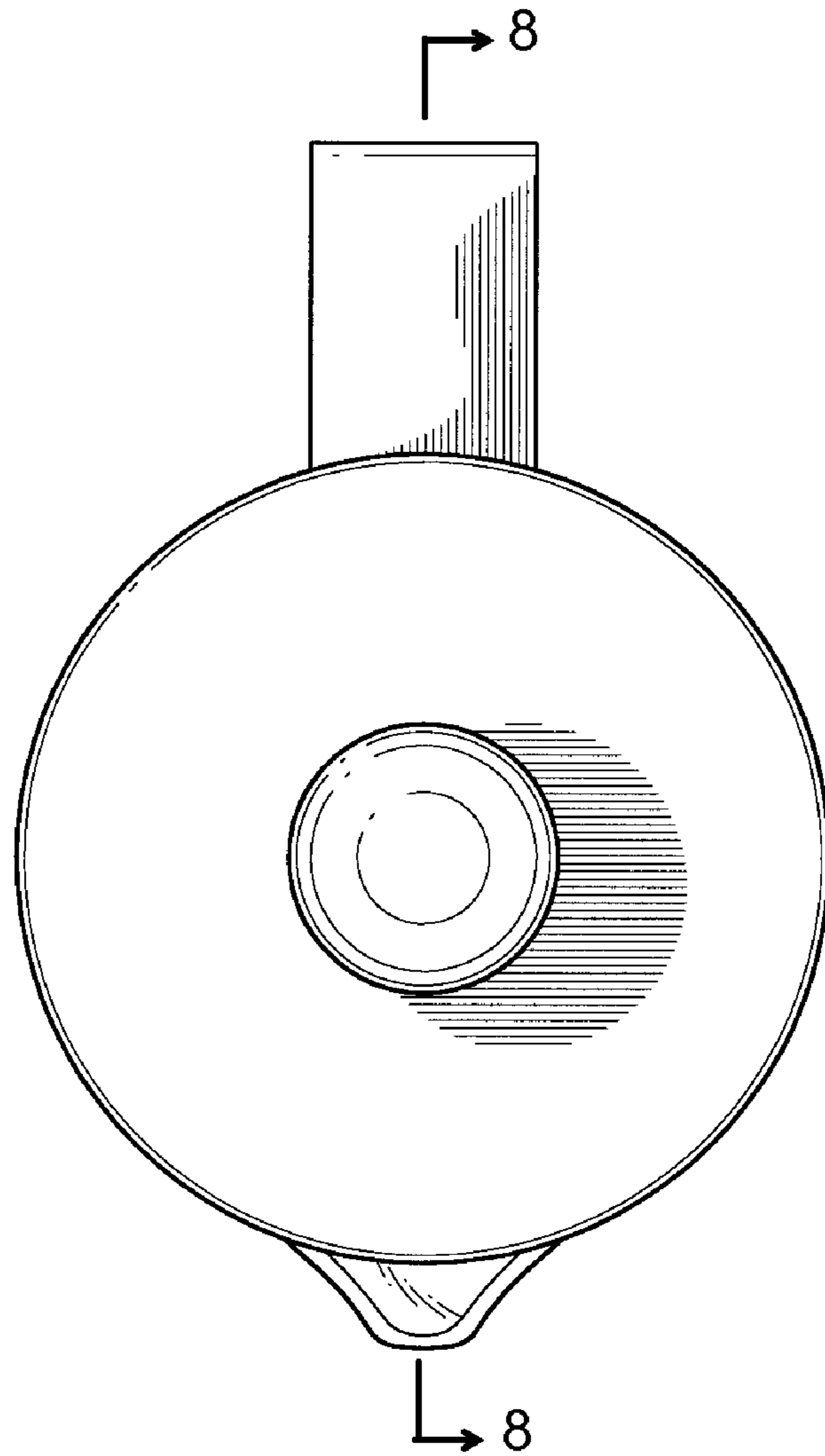
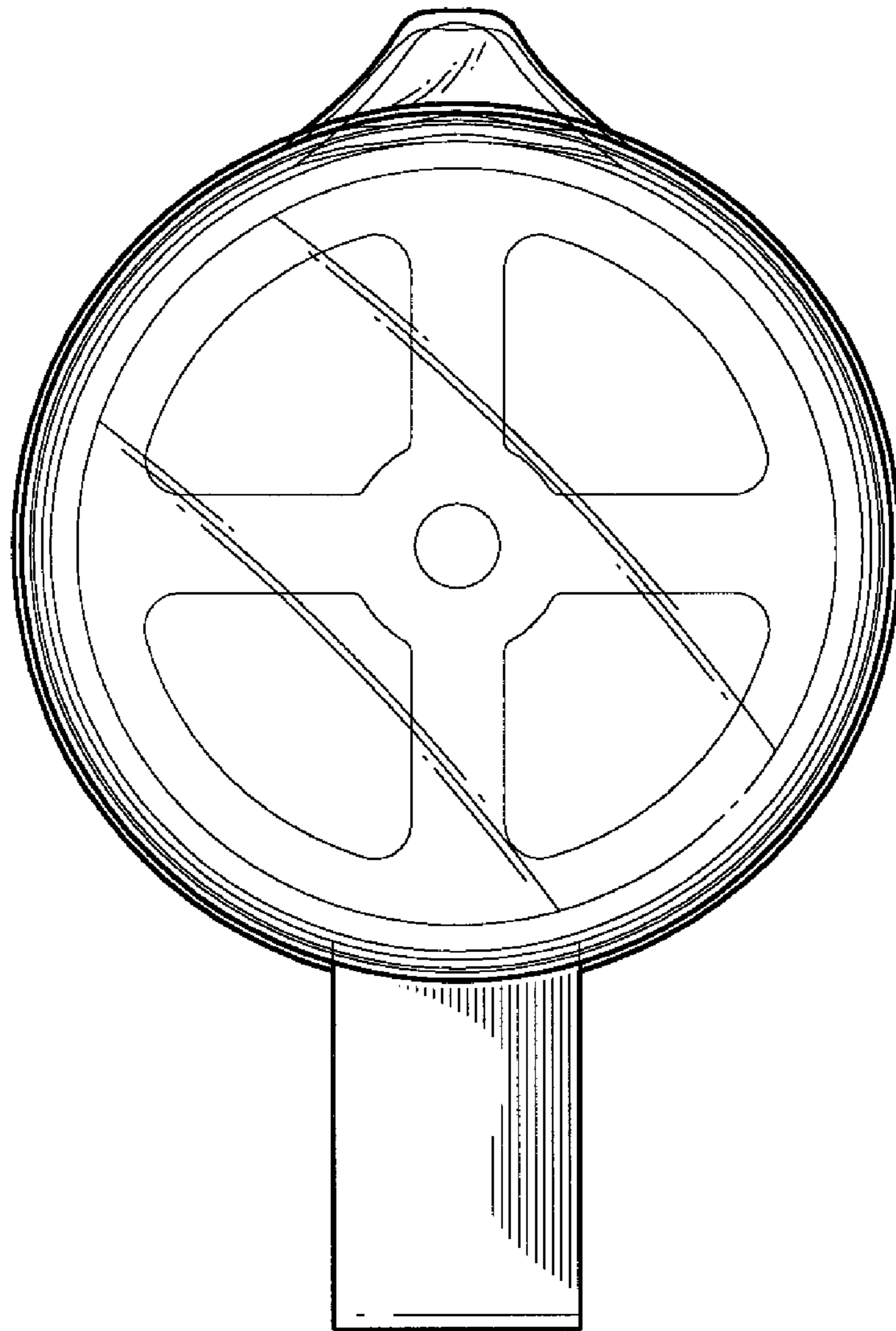


FIG. 6



**FIG. 7**



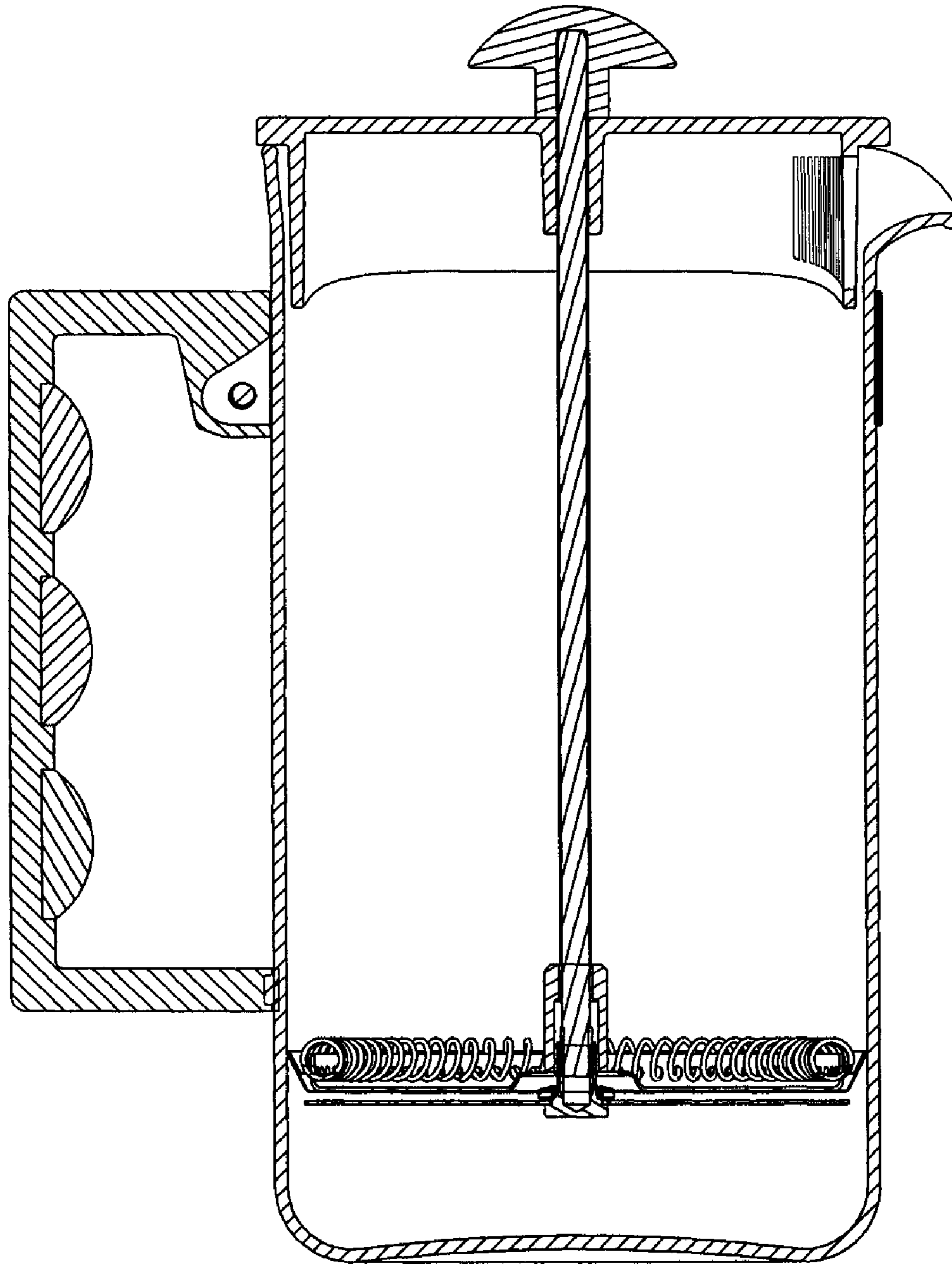


FIG. 8