

US00D563706S

(12) **United States Design Patent**
Ricereto

(10) **Patent No.:** **US D563,706 S**
(45) **Date of Patent:** **** Mar. 11, 2008**

(54) **TOWEL BAR**
(75) Inventor: **Michael Hart Ricereto**, Baltimore, MD (US)
(73) Assignee: **Newell Operating Company**, Atlanta, GA (US)
(**) Term: **14 Years**
(21) Appl. No.: **29/279,672**
(22) Filed: **May 4, 2007**

D253,380 S 11/1979 Pittenger
D253,381 S 11/1979 Tegner
D254,460 S 3/1980 Tegner
D254,461 S 3/1980 Tegner
D259,916 S 7/1981 Pittenger
D268,246 S 3/1983 Tegner
D276,976 S 1/1985 Tegner
4,627,672 A 12/1986 DeBruyn
4,637,582 A 1/1987 Boda

(51) **LOC (8) Cl.** **06-04**
(52) **U.S. Cl.** **D6/549**
(58) **Field of Classification Search** D6/546-550,
D6/518-519, 522-524; D8/300, 303, 315-321;
108/28-29; 211/13.1, 16, 60.1, 86.01, 87.01,
211/88.01, 88.04, 100, 105.1-105.2, 123,
211/181.1, 182; 248/175, 176.1, 251, 302;
16/110.1, 412, 415; 242/570, 590, 595-598
See application file for complete search history.

(Continued)

OTHER PUBLICATIONS

Amerock Decorative Hardware Catalog, Jul. 2006, p. 47, published in USA.

(Continued)

Primary Examiner—Brian N Vinson
(74) *Attorney, Agent, or Firm*—Banner & Witcoff, Ltd.

(56) **References Cited**

U.S. PATENT DOCUMENTS

D244,422 S 5/1977 Clayton
D244,652 S 6/1977 Tegner
D244,653 S 6/1977 Tegner
D244,654 S 6/1977 Tegner
D246,404 S 11/1977 Tegner
D246,406 S 11/1977 Tegner
D246,435 S 11/1977 Stone
D246,502 S 11/1977 Clayton
D246,503 S 11/1977 Clayton
D246,696 S 12/1977 Clayton
D247,844 S 5/1978 Palm, Jr.
D247,845 S 5/1978 Palm, Jr.
D249,418 S 9/1978 Tegner
D249,419 S 9/1978 Tegner
D251,462 S 4/1979 Tegner
D251,543 S 4/1979 Pittenger
D251,544 S 4/1979 Tegner
D251,882 S 5/1979 Tegner
D252,317 S 7/1979 Clayton

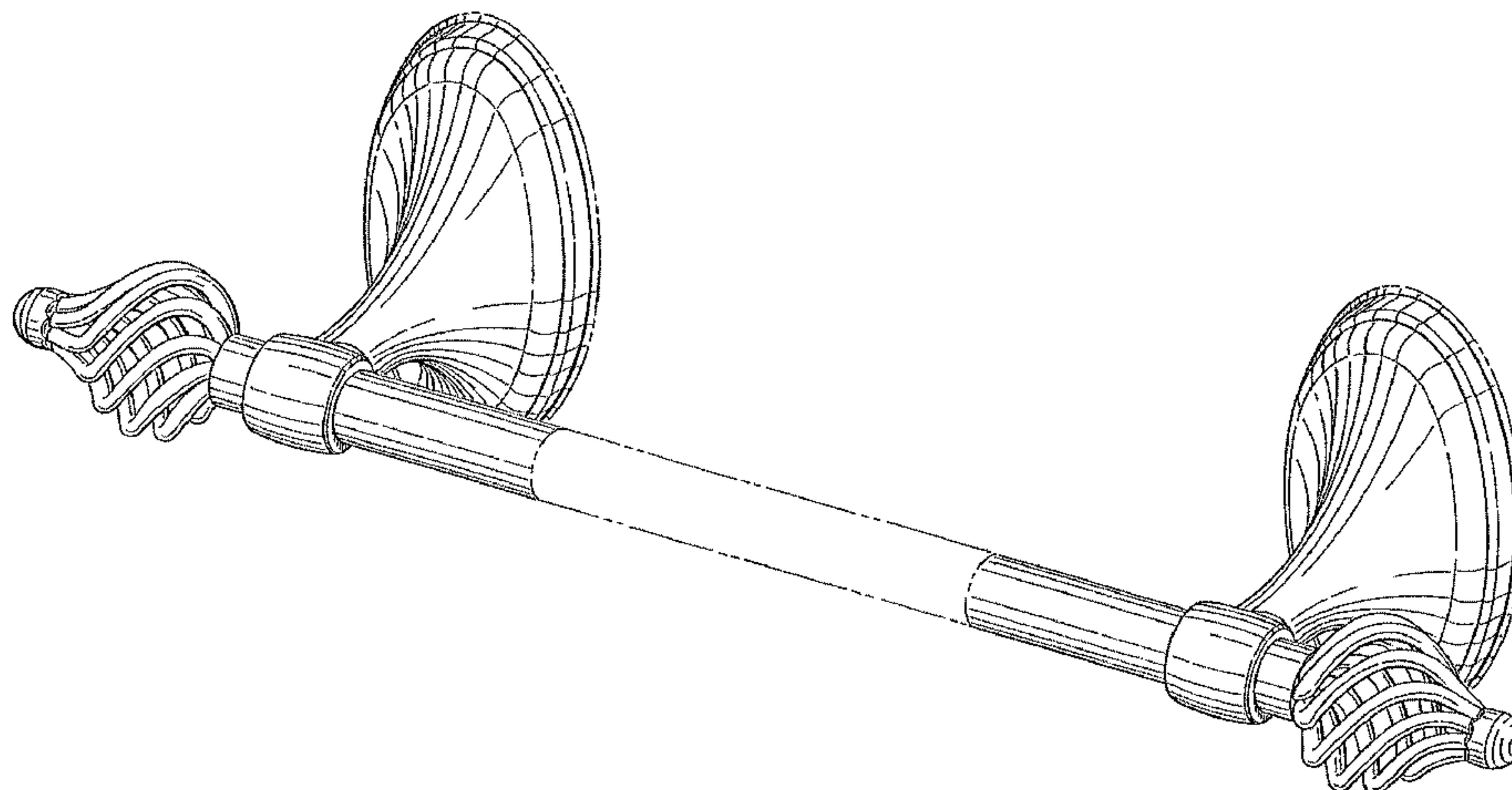
(57) **CLAIM**

I claim the ornamental design for a towel bar, as shown and described.

DESCRIPTION

FIG. 1 is a perspective view of a towel bar of the present claimed design;
FIG. 2 is a side view of the towel bar shown in FIG. 1, the opposite side view being identical thereto;
FIG. 3 is a top view of the towel bar shown in FIG. 1, the opposite bottom view being identical thereto;
FIG. 4 is a front view of the towel bar shown in FIG. 1; and,
FIG. 5 is a rear view of the towel bar shown in FIG. 1.
Features shown in broken lines in the drawings form no part of the claimed design.

1 Claim, 3 Drawing Sheets



US D563,706 S

Page 2

U.S. PATENT DOCUMENTS

D290,338 S	6/1987	Tegner	D386,667 S	11/1997	Smith	
D292,546 S	11/1987	Tegner	D456,195 S *	4/2002	Meck et al.	D6/549
4,718,625 A	1/1988	Boda	D463,187 S *	9/2002	Gilbert	D6/549
D293,988 S	2/1988	Tegner	D482,918 S *	12/2003	Chen	D6/549
D293,989 S	2/1988	Tegner	D492,530 S *	7/2004	Chen	D6/549
D294,092 S	2/1988	Tegner	D503,061 S *	3/2005	Fuchs	D6/549
D294,093 S	2/1988	Tegner	D516,349 S *	3/2006	Ferrer Beltran	D6/549
D294,094 S	2/1988	Tegner	D540,086 S *	4/2007	Kirar	D6/549
D294,095 S	2/1988	Tegner	D540,087 S *	4/2007	Barry	D6/549
D294,309 S	2/1988	Tegner	D540,595 S *	4/2007	Solowiej	D6/549
D299,095 S	12/1988	Gresens et al.	D540,596 S *	4/2007	Duggan	D6/549
D299,099 S	12/1988	Gresens et al.	D540,598 S *	4/2007	Massaud	D6/549
D300,998 S	5/1989	Gresens et al.	D540,599 S *	4/2007	Krumpe et al.	D6/549
D305,862 S	2/1990	Clayton	D551,479 S *	9/2007	Gilbert	D6/524
D305,863 S	2/1990	Gresens et al.				
D307,992 S	5/1990	Gresens et al.				
D326,997 S	6/1992	Clayton				
D327,420 S	6/1992	Bishop				
D377,655 S	1/1997	Smith				

OTHER PUBLICATIONS

Amerock Decorative Hardware Catalog, Jul. 2006, p. 94, published in USA.

* cited by examiner

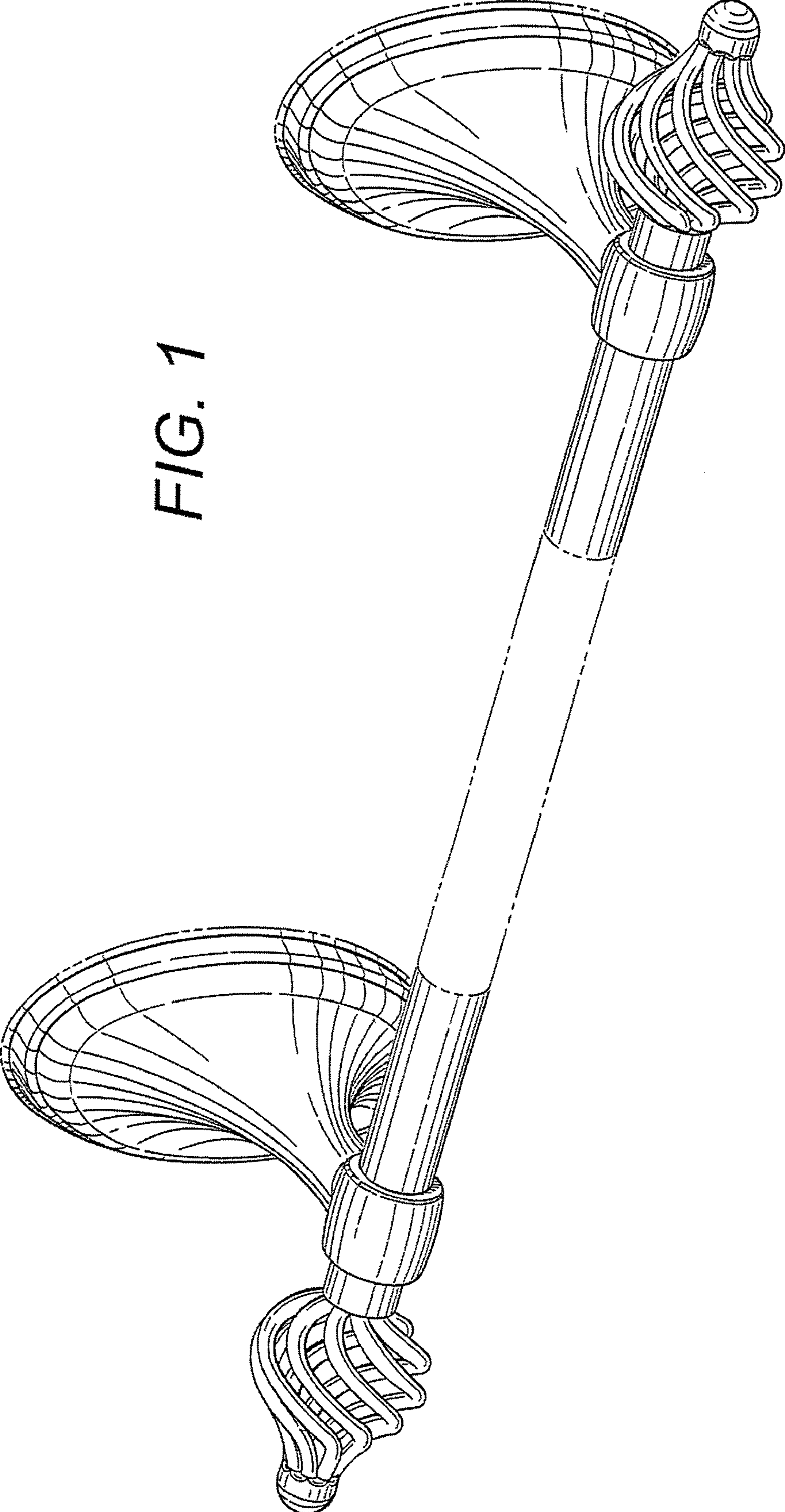


FIG. 1

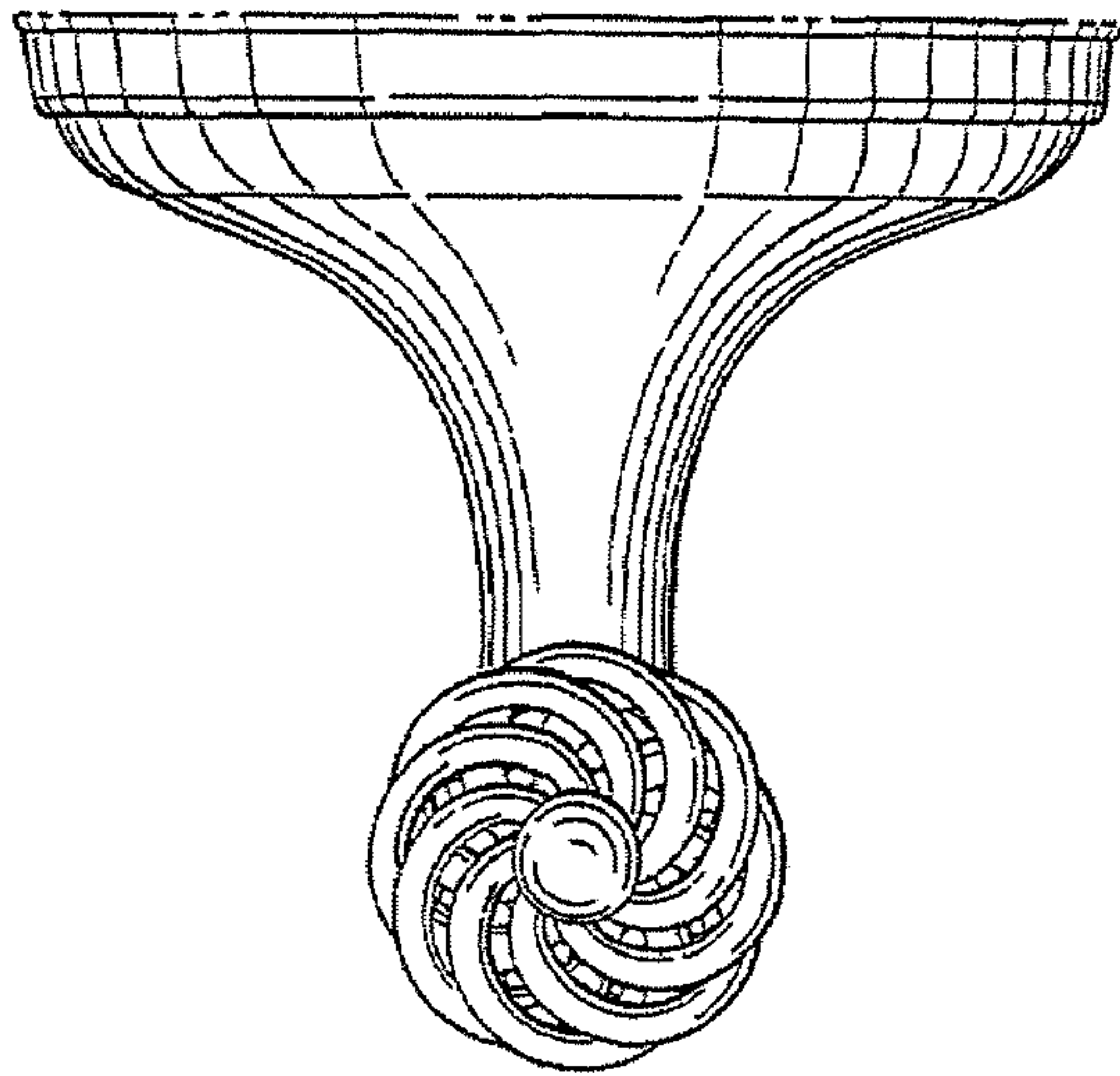


FIG. 2

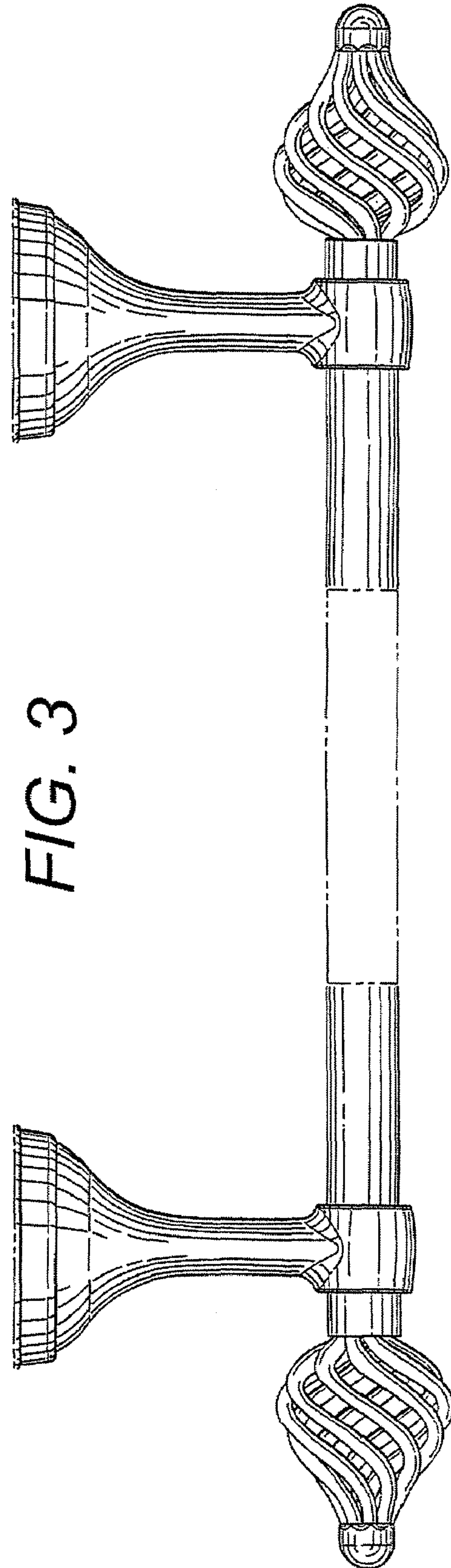


FIG. 3

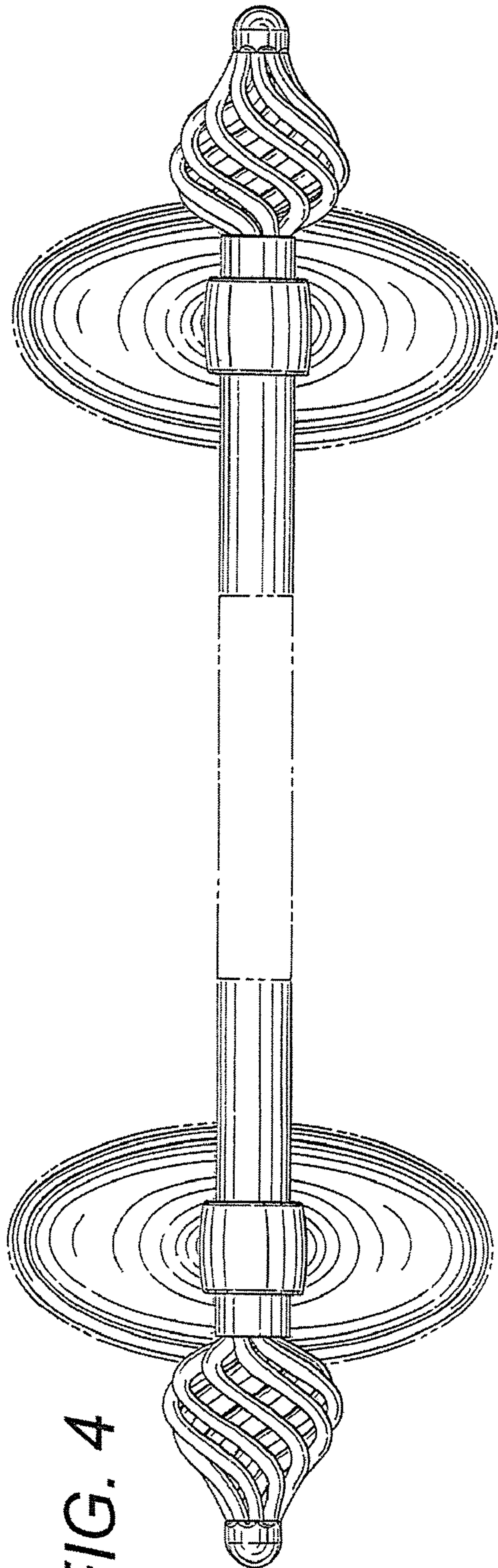


FIG. 4

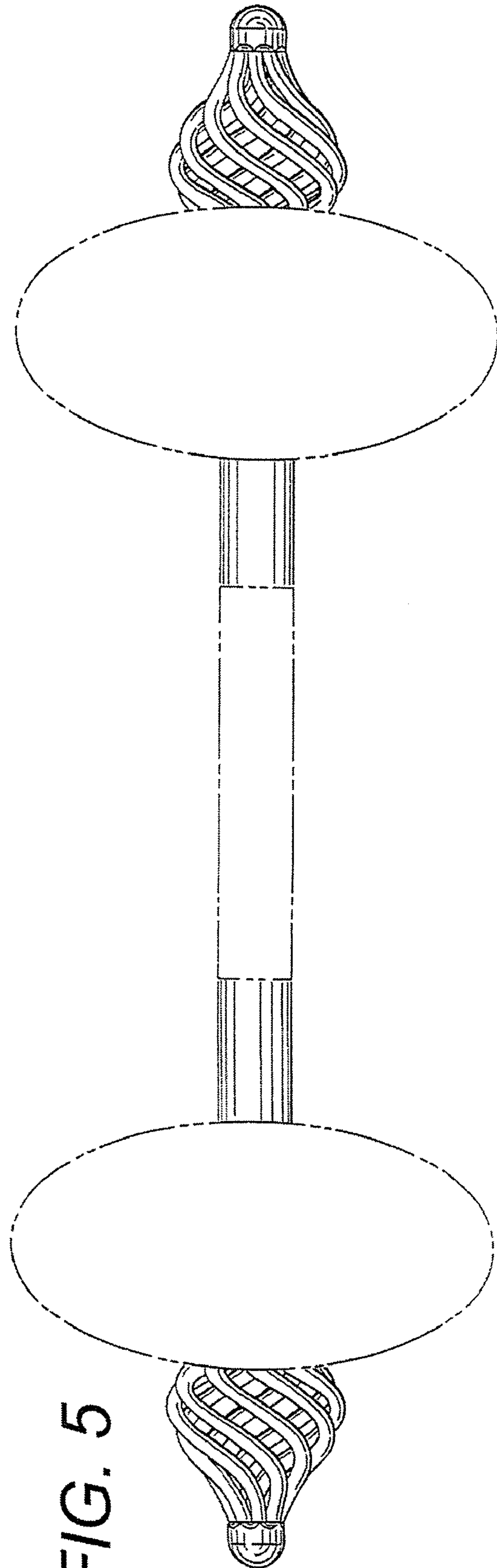


FIG. 5