



US00D563703S

(12) **United States Design Patent**  
**Duncan**

(10) **Patent No.:** **US D563,703 S**

(45) **Date of Patent:** **\*\* Mar. 11, 2008**

(54) **SOAP DISPENSER FOR AIR GAP PIPE**

(75) Inventor: **Scott E. Duncan**, Santa Rosa, CA (US)

(73) Assignee: **The Westorass Company, Inc.**, Los Angeles, CA (US)

(\*\*) Term: **14 Years**

(21) Appl. No.: **29/248,827**

(22) Filed: **Sep. 6, 2006**

(51) **LOC (8) Cl.** ..... **06-04**

(52) **U.S. Cl.** ..... **D6/542**

(58) **Field of Classification Search** ..... D6/542-545;  
221/282-283, 14, 173, 146.3, 628, 251, 181.1;  
222/181.3; D9/682, 688, 690, 691, 448,  
D9/449

See application file for complete search history.

(56) **References Cited**

**U.S. PATENT DOCUMENTS**

D466,588 S *	12/2002	Lord	.....	D6/542
D479,075 S *	9/2003	Zhao	.....	D6/542
D519,372 S *	4/2006	Hsieh	.....	D6/542
D530,952 S *	10/2006	Lord	.....	D6/542

D530,954 S *	10/2006	Snell	.....	D6/542
D531,441 S *	11/2006	Soriano	.....	D6/542
D537,666 S *	3/2007	Berberet	.....	D6/542
D544,268 S *	6/2007	Greenspon	.....	D6/542
D547,099 S *	7/2007	Williams	.....	D6/542
D550,011 S *	9/2007	Kennard	.....	D6/542

\* cited by examiner

*Primary Examiner*—Brian N Vinson

(74) *Attorney, Agent, or Firm*—Craig M. Stainbrook;  
Stainbrook & Stainbrook, LLP

(57) **CLAIM**

The ornamental design for a soap dispenser for air gap pipe,  
as shown and described.

**DESCRIPTION**

FIG. 1 is a right front perspective view;

FIG. 2 is a front view in elevation;

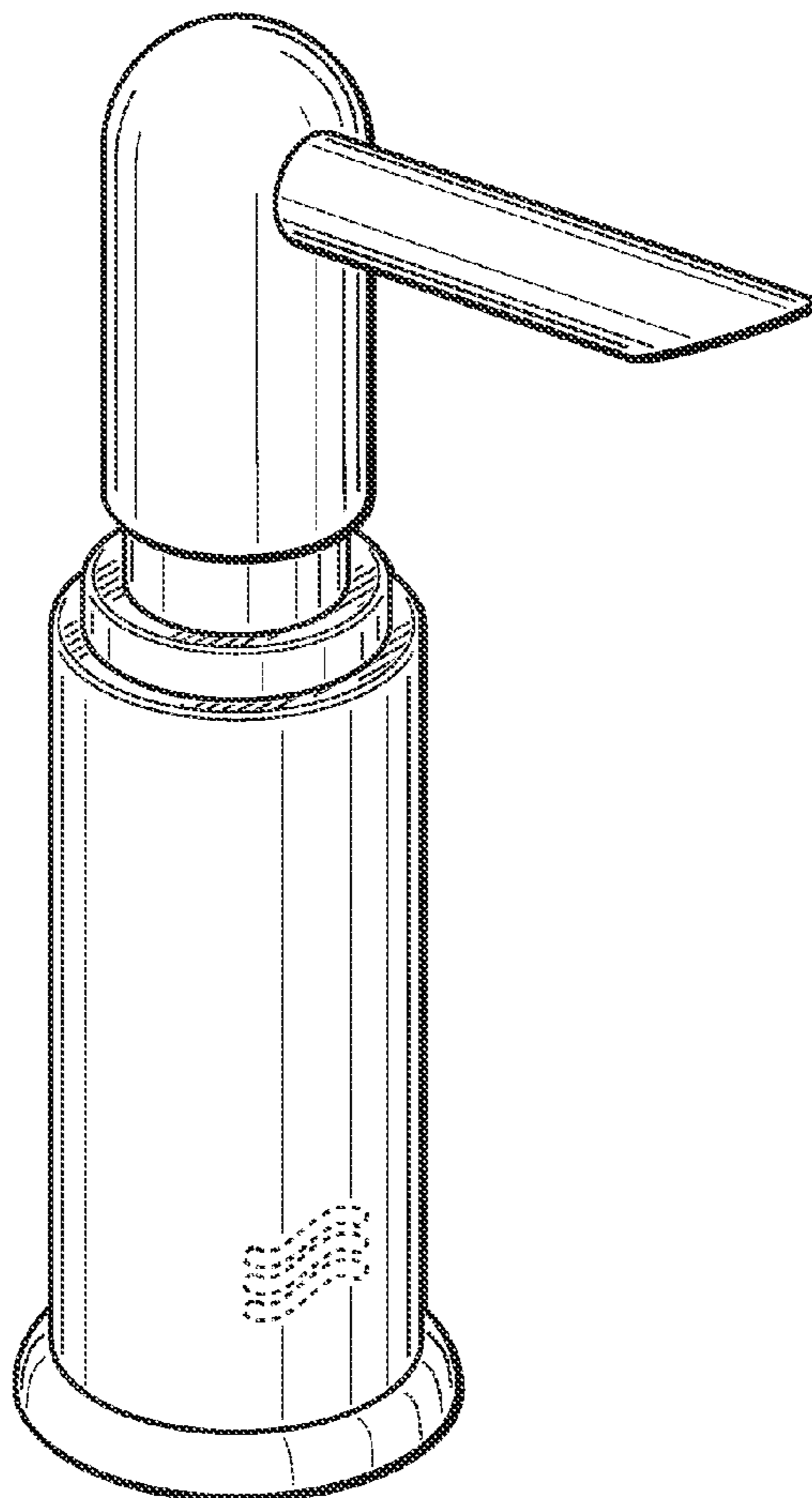
FIG. 3 is a side view in elevation;

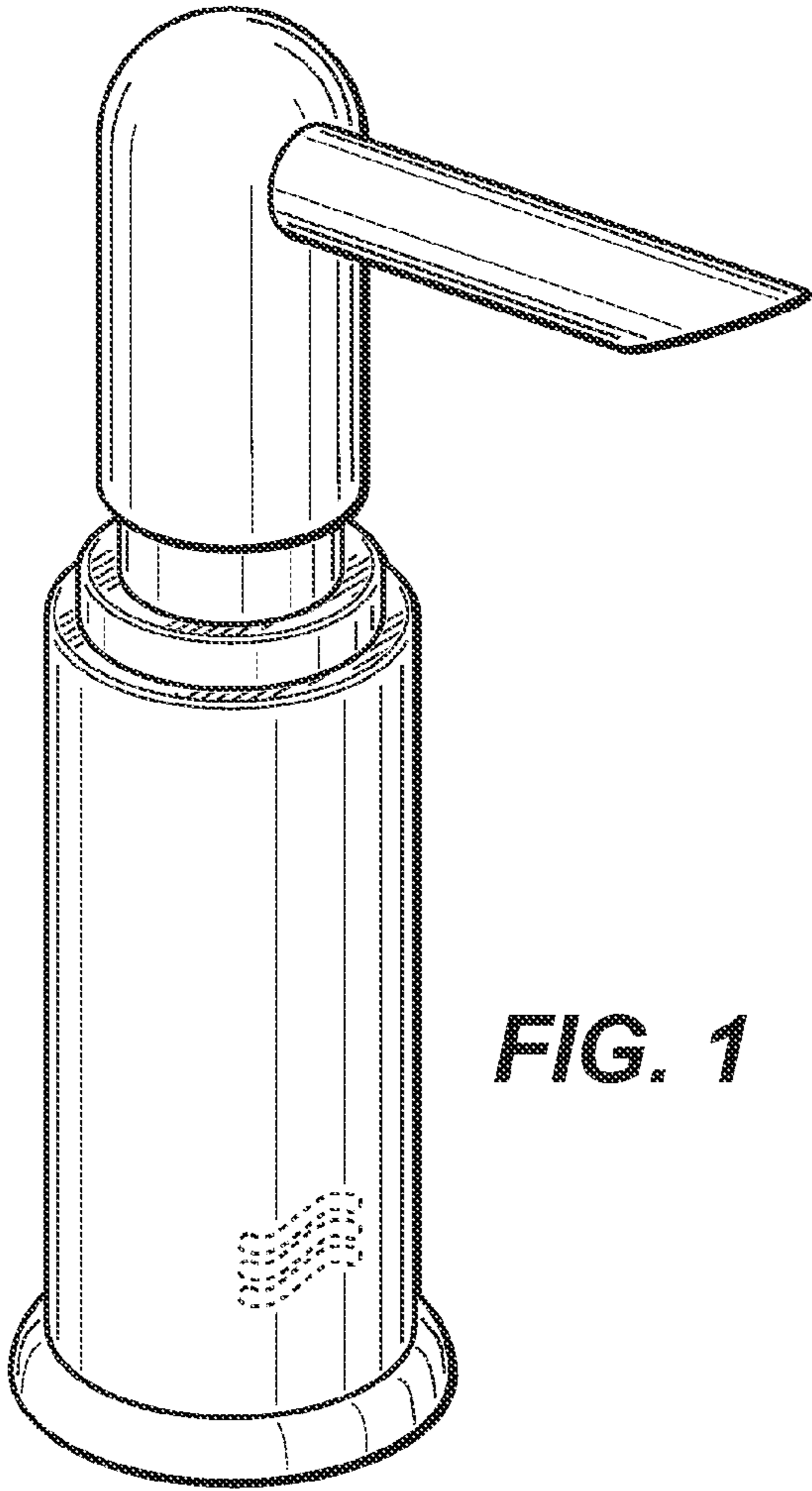
FIG. 4 is a rear view in elevation;

FIG. 5 is a top plan view; and,

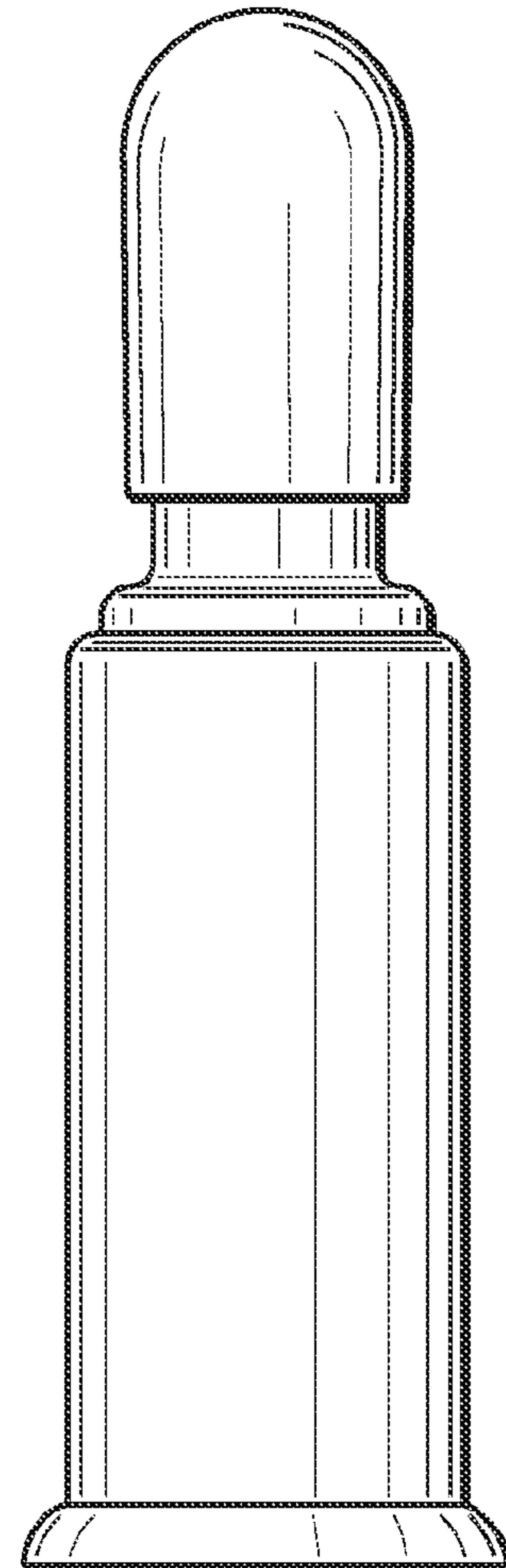
FIG. 6 is a bottom view.

**1 Claim, 2 Drawing Sheets**

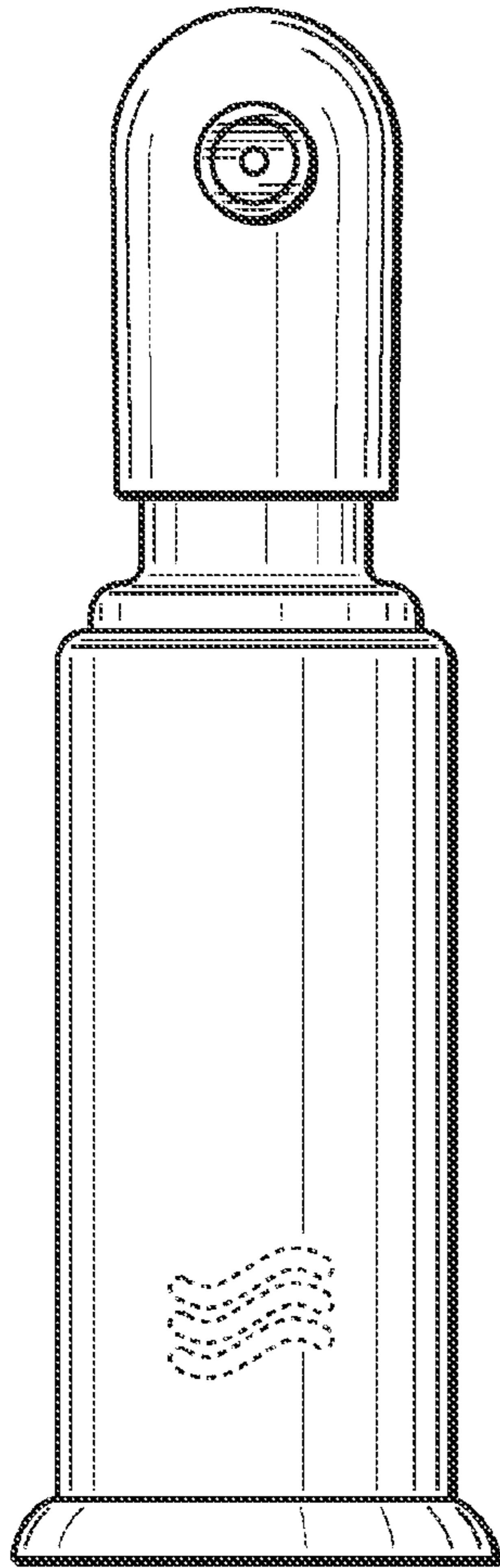




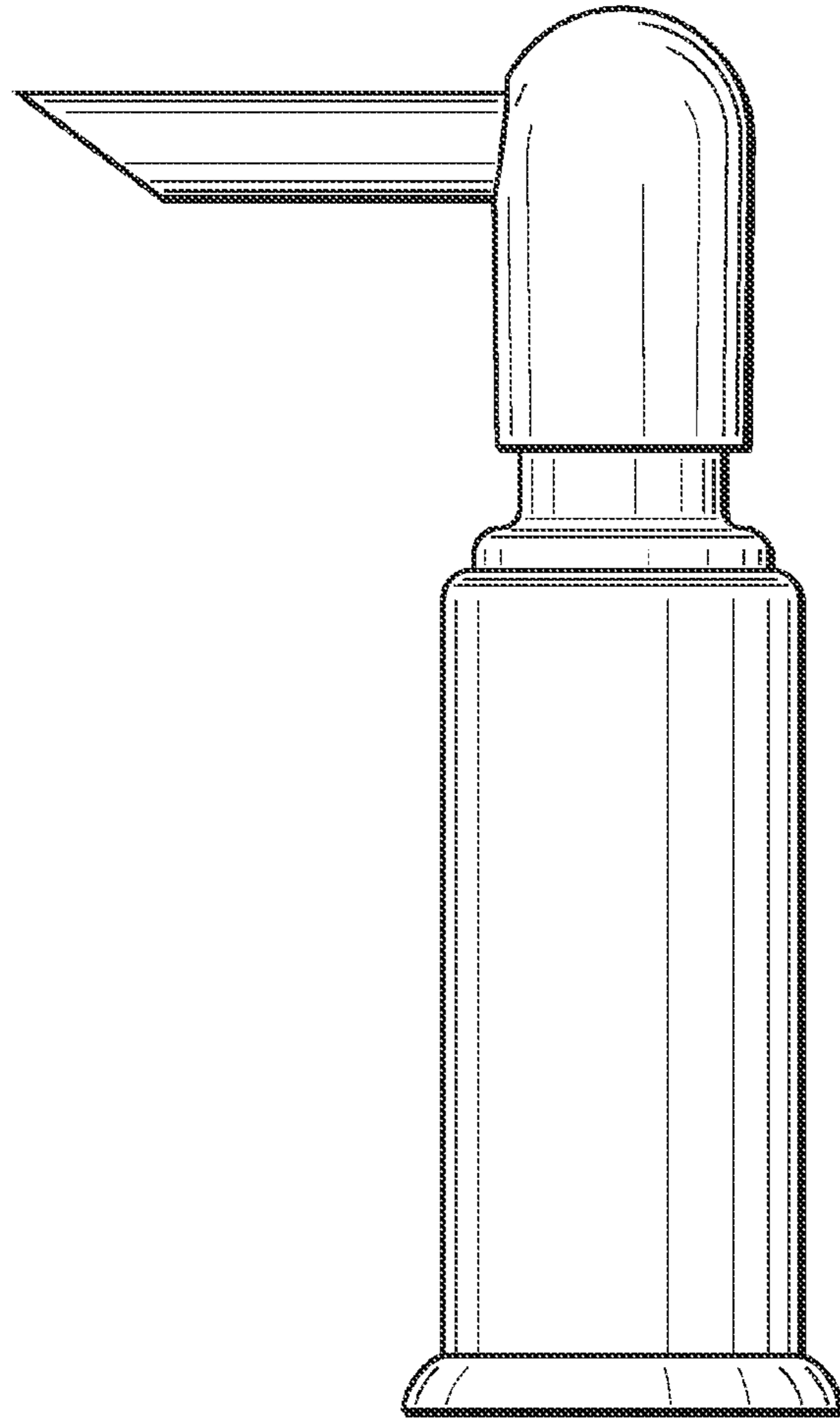
**FIG. 1**



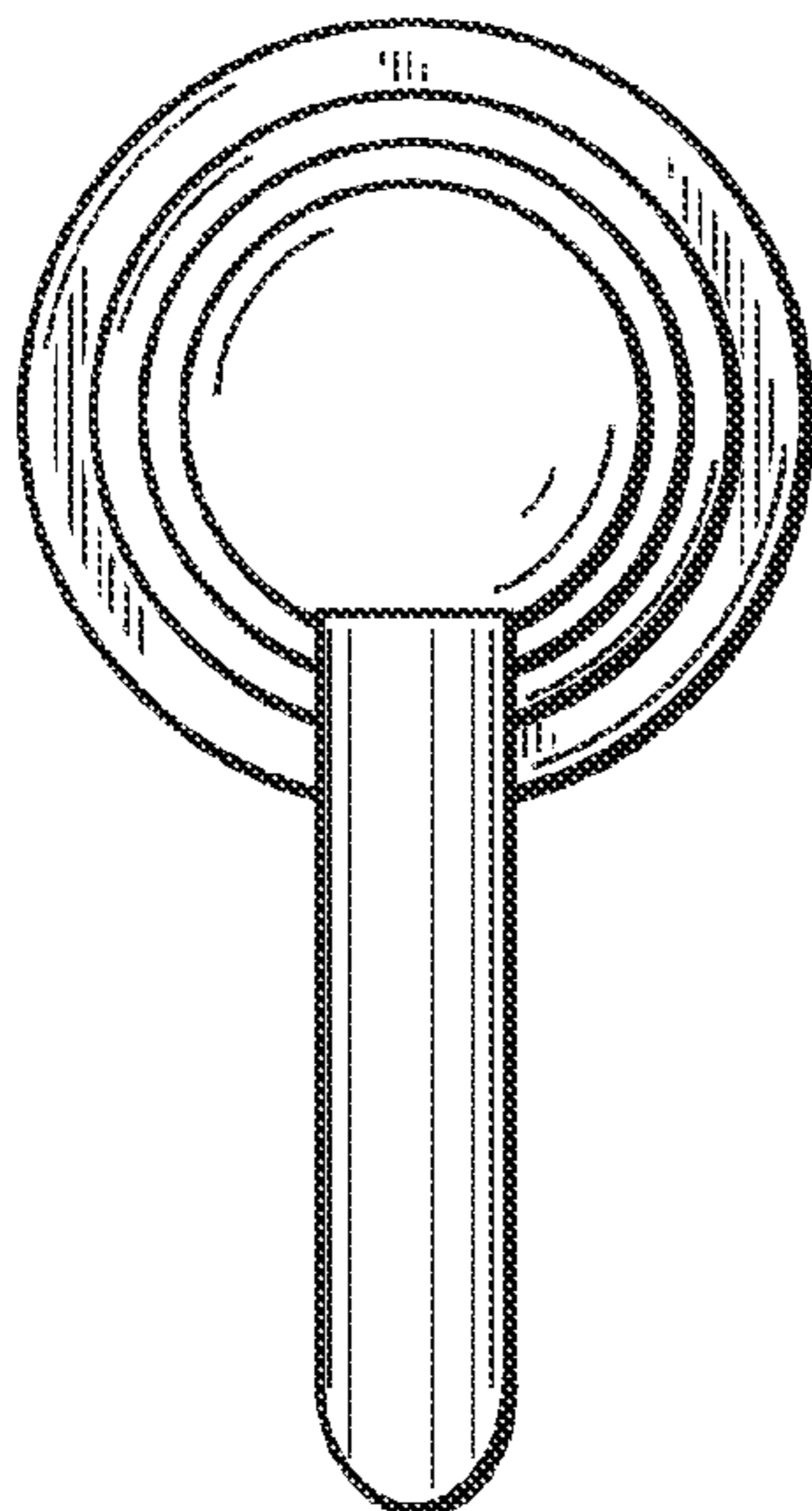
**FIG. 4**



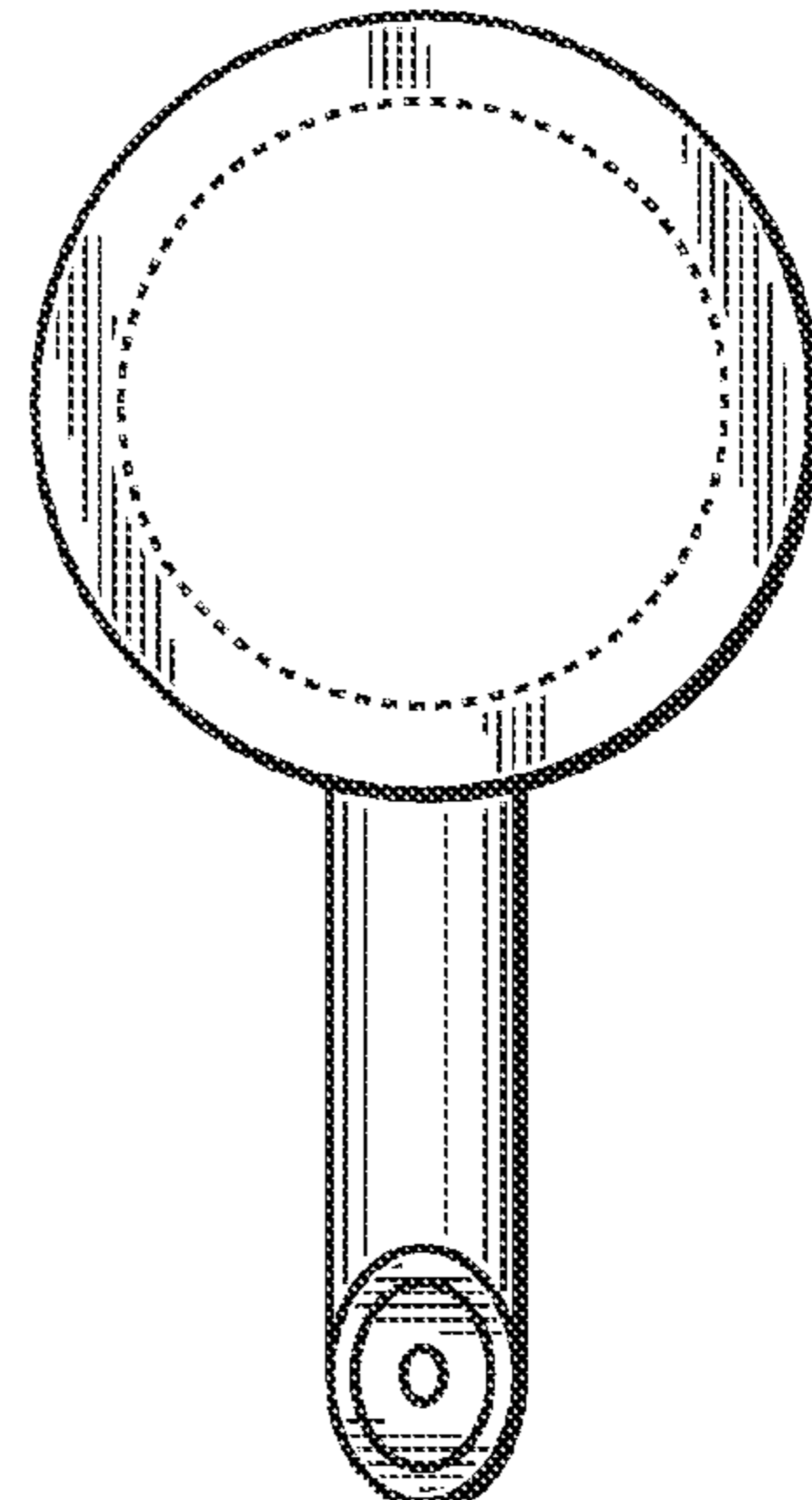
**FIG. 2**



**FIG. 3**



**FIG. 5**



**FIG. 6**