



US00D563702S

(12) **United States Design Patent**  
**Ricereto**

(10) **Patent No.:** **US D563,702 S**  
(45) **Date of Patent:** **\*\* Mar. 11, 2008**

(54) **BATHROOM HARDWARE SUPPORT**

(75) Inventor: **Michael Hart Ricereto**, Baltimore, MD  
(US)

(73) Assignee: **Newell Operating Company**, Atlanta,  
GA (US)

(\*\*) Term: **14 Years**

(21) Appl. No.: **29/279,665**

(22) Filed: **May 4, 2007**

(51) **LOC (8) Cl.** ..... **23-02**

(52) **U.S. Cl.** ..... **D6/524; D6/550**

(58) **Field of Classification Search** ..... D6/518-524,  
D6/548-550; D8/300, 303, 315-321, 349,  
D8/354, 363, 373, 380; 108/28-29; 211/13.1,  
211/16, 60.1, 100, 86.01, 87.01, 88.01, 88.04,  
211/105.1-105.2, 123, 182, 181.1; 248/176,  
248/176.1, 251, 302, 309.1; 16/110.1, 412,  
16/415; 242/570, 590, 595-598

See application file for complete search history.

(56) **References Cited**

**U.S. PATENT DOCUMENTS**

- D244,422 S 5/1977 Clayton
- D244,652 S 6/1977 Tegner
- D244,653 S 6/1977 Tegner
- D244,654 S 6/1977 Tegner
- D246,404 S 11/1977 Tegner
- D246,406 S 11/1977 Tegner
- D246,435 S 11/1977 Stone
- D246,502 S 11/1977 Clayton
- D246,503 S 11/1977 Clayton
- D246,696 S 12/1977 Clayton
- D247,844 S 5/1978 Palm, Jr.
- D247,845 S 5/1978 Palm, Jr.
- D249,418 S 9/1978 Tegner

- D249,419 S 9/1978 Tegner
- D251,462 S 4/1979 Tegner
- D251,543 S 4/1979 Pittenger
- D251,544 S 4/1979 Tegner
- D251,882 S 5/1979 Tegner

(Continued)

**OTHER PUBLICATIONS**

Amerock Decorative Hardware Catalog, Jul. 2006, p. 47, published  
in USA.

(Continued)

*Primary Examiner*—Brian N Vinson

(74) *Attorney, Agent, or Firm*—Banner & Witcoff, Ltd.

(57) **CLAIM**

I claim the ornamental design for a bathroom hardware support, as shown and described.

**DESCRIPTION**

FIG. 1 is a perspective view of a bathroom hardware support of the present claimed design;

FIG. 2 is a side view of the bathroom hardware support shown in FIG. 1, the opposite side view being identical thereto;

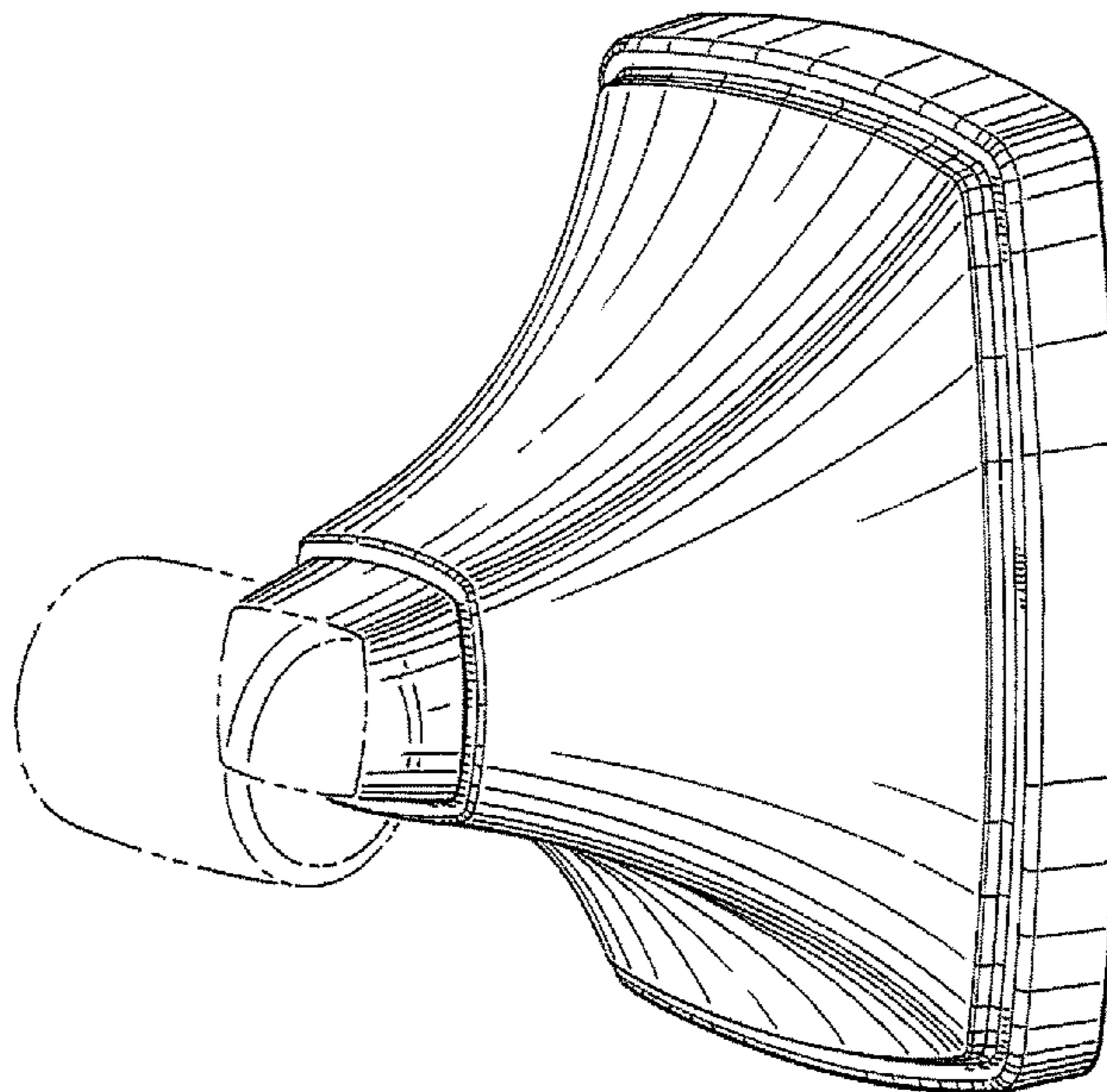
FIG. 3 is a top view of the bathroom hardware support shown in FIG. 1, the opposite bottom view being identical thereto; and,

FIG. 4 is a front view of the bathroom hardware support shown in FIG. 1.

The rear view of the bathroom hardware support shown in FIG. 1 is plain and unornamented.

Features shown in broken lines in the drawings form no part of the claimed design.

**1 Claim, 2 Drawing Sheets**



# US D563,702 S

Page 2

## U.S. PATENT DOCUMENTS

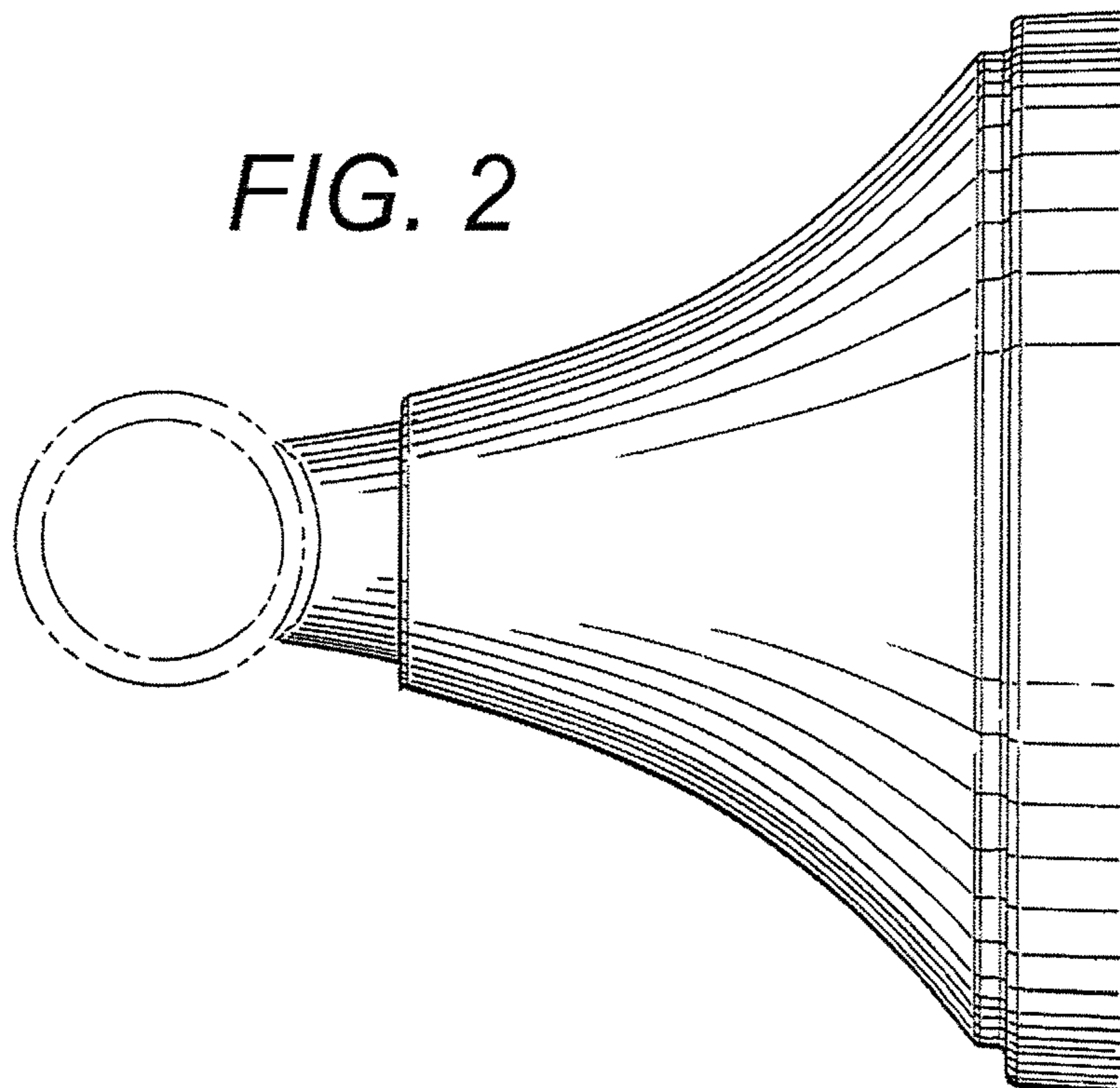
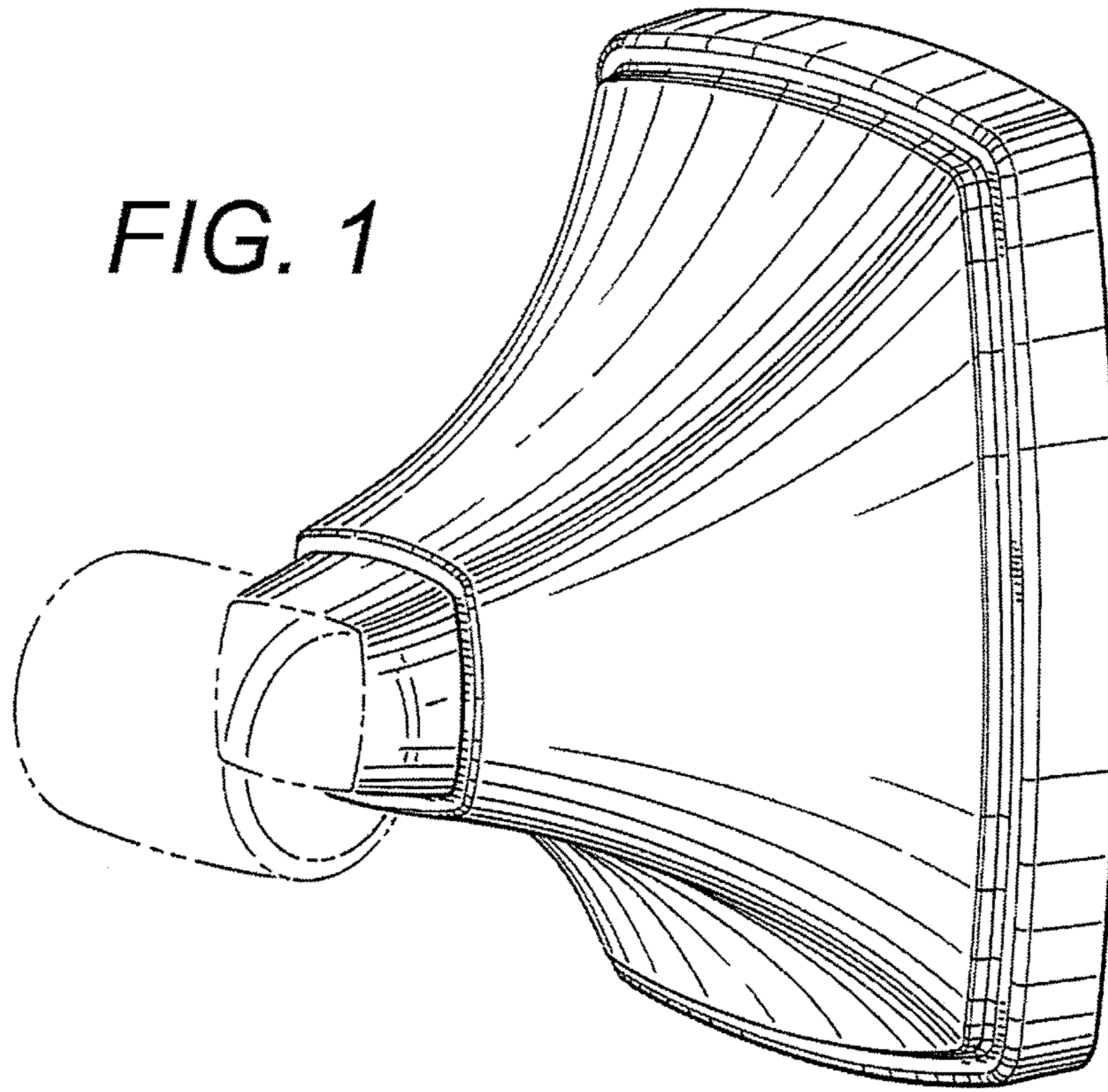
D252,317 S 7/1979 Clayton  
D253,380 S 11/1979 Pittenger  
D253,381 S 11/1979 Tegner  
D254,460 S 3/1980 Tegner  
D254,461 S 3/1980 Tegner  
D259,916 S 7/1981 Pittenger  
D268,246 S 3/1983 Tegner  
D276,976 S 1/1985 Tegner  
4,627,672 A 12/1986 DeBruyn  
4,637,582 A 1/1987 Boda  
D290,338 S 6/1987 Tegner  
D292,546 S 11/1987 Tegner  
4,718,625 A 1/1988 Boda  
D293,988 S 2/1988 Tegner  
D293,989 S 2/1988 Tegner  
D294,092 S 2/1988 Tegner  
D294,093 S 2/1988 Tegner  
D294,094 S 2/1988 Tegner  
D294,095 S 2/1988 Tegner  
D294,309 S 2/1988 Tegner  
D299,095 S 12/1988 Gresens et al.  
D299,099 S 12/1988 Gresens et al.

D300,998 S 5/1989 Gresens et al.  
D305,862 S 2/1990 Clayton  
D305,863 S 2/1990 Gresens et al.  
D307,992 S 5/1990 Gresens et al.  
D326,997 S 6/1992 Clayton  
D327,420 S 6/1992 Bishop  
D377,655 S 1/1997 Smith  
D386,667 S 11/1997 Smith  
D483,585 S \* 12/2003 Chen ..... D6/524  
D497,751 S \* 11/2004 Roberts et al. .... D6/524  
D501,746 S \* 2/2005 Gilbert ..... D6/550  
D516,357 S \* 3/2006 Gilbert et al. .... D6/550  
D520,791 S \* 5/2006 Solowiej ..... D6/550  
D520,793 S \* 5/2006 Gilbert ..... D6/550  
D533,642 S \* 12/2006 Gilbert et al. .... D6/524  
D550,009 S \* 9/2007 Rexach ..... D6/524  
D551,886 S \* 10/2007 Berberet ..... D6/524

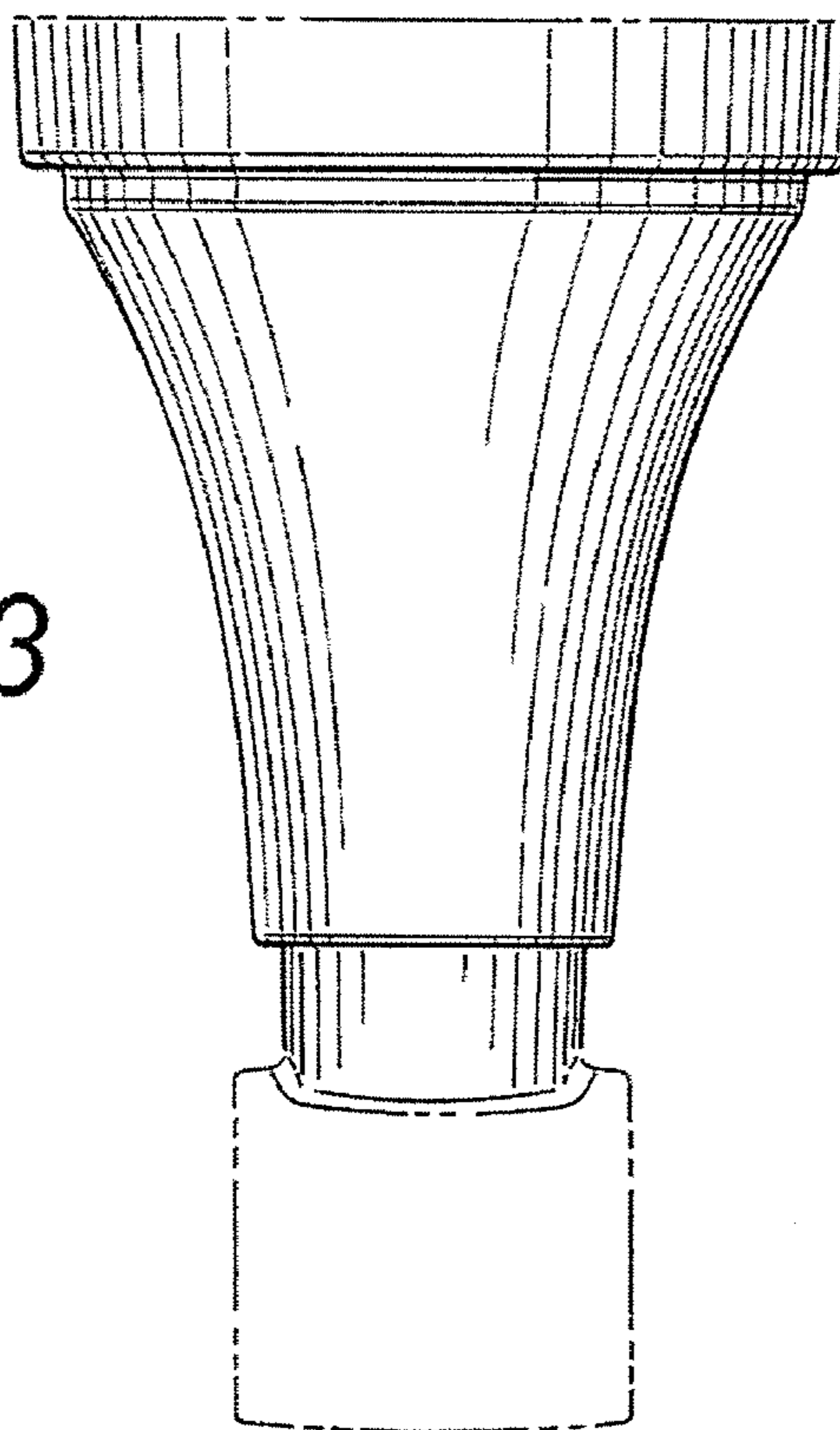
## OTHER PUBLICATIONS

Amerock Decorative Hardware Catalog, Jul. 2006, p. 94, published in USA.

\* cited by examiner



*FIG. 3*



*FIG. 4*

