



US00D563700S

(12) **United States Design Patent**
Walters et al.

(10) **Patent No.:** **US D563,700 S**
(45) **Date of Patent:** **** Mar. 11, 2008**

(54) **CEILING MOUNTING SYSTEM**

Primary Examiner—Brian N Vinson
(74) *Attorney, Agent, or Firm*—Foley & Lardner LLP

(75) Inventors: **James Duane Walters**, Saint Charles, IL (US); **Matthew William Stifal**, Portage, IN (US)

(57) **CLAIM**

We claim the ornamental design for a ceiling mounting system, as shown and described.

(73) Assignee: **Peerless Industries, Inc.**, Melrose Park, IL (US)

DESCRIPTION

(**) Term: **14 Years**

FIG. 1 is a perspective view of the ceiling mounting system showing our new design;

(21) Appl. No.: **29/263,667**

FIG. 2 is a front view thereof;

(22) Filed: **Jul. 27, 2006**

FIG. 3 is a rear view thereof;

(51) **LOC (8) Cl.** **06-06**

(52) **U.S. Cl.** **D6/513**

(58) **Field of Classification Search** D6/512–514;
D14/106, 113, 124–134; 348/825, 827, 837;
312/7.2

FIG. 4 is a left side view thereof;

FIG. 5 is a right side view thereof;

FIG. 6 is a top plan view thereof;

FIG. 7 is a bottom view thereof;

See application file for complete search history.

FIG. 8 is a perspective view of another embodiment of ceiling mounting system showing our new design;

(56) **References Cited**

U.S. PATENT DOCUMENTS

D270,689 S *	9/1983	Boscacci	D6/513
D314,483 S *	2/1991	Zimprich et al.	D6/513
5,148,282 A *	9/1992	Sedighzadeh	348/825
D337,103 S *	7/1993	Harper	D14/132
D377,897 S *	2/1997	Vogels	D6/513
D388,646 S *	1/1998	Canton Gongora et al.	D6/574
D394,570 S *	5/1998	Walters, III	D6/513
D399,200 S *	10/1998	Rosen	D14/132

FIG. 9 is a front view of the ceiling mounting system in FIG. 8;

FIG. 10 is a rear view of the ceiling mounting system in FIG. 8;

FIG. 11 is a left side view of the ceiling mounting system in FIG. 8;

FIG. 12 is a right side view of the ceiling mounting system in FIG. 8;

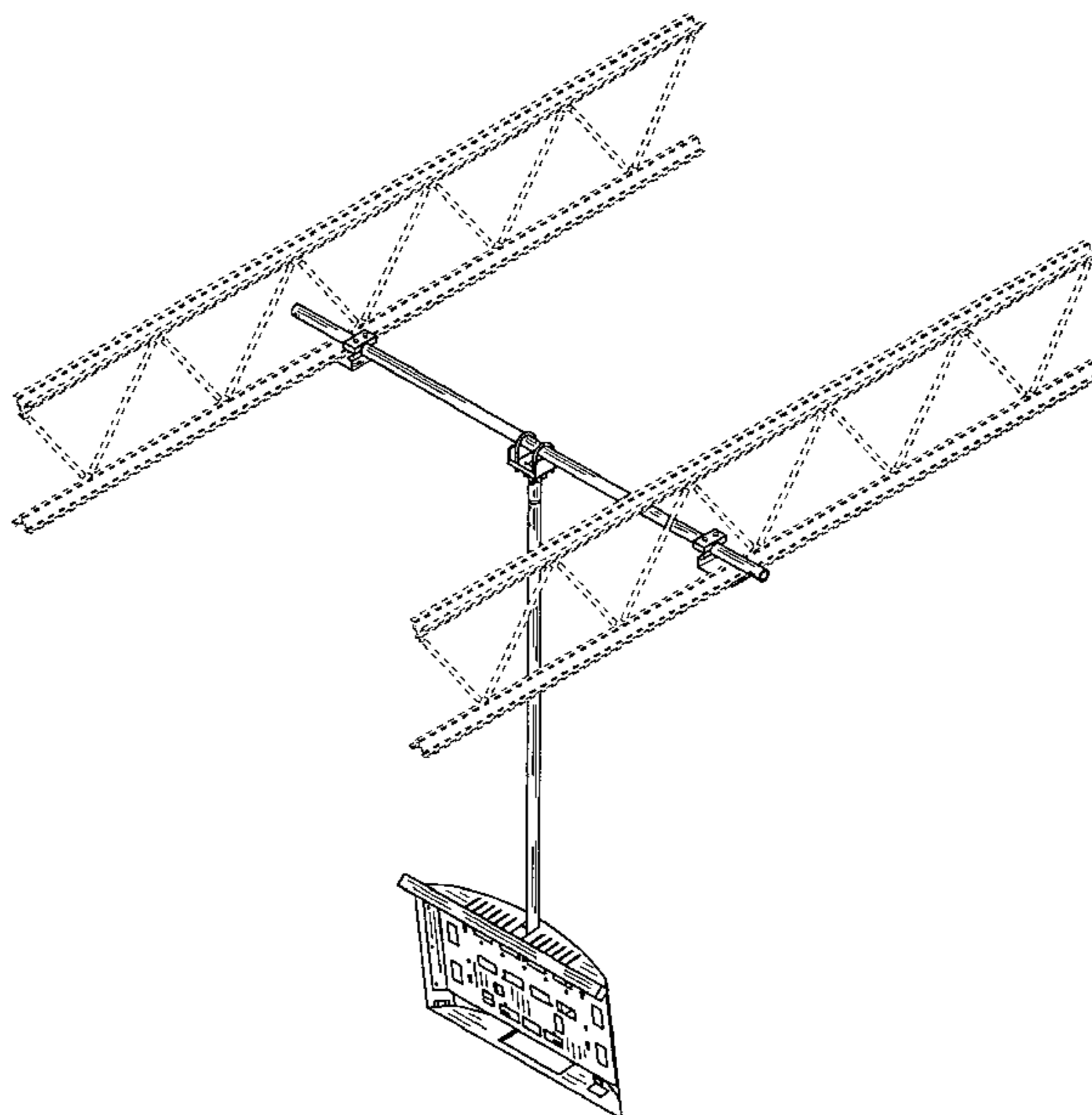
FIG. 13 is a top plan view of the ceiling mounting system in FIG. 8; and,

FIG. 14 is a bottom view of the ceiling mounting system in FIG. 8.

The broken lines in the drawings are for illustrative purposes only and form no part of the claimed design.

* cited by examiner

1 Claim, 14 Drawing Sheets



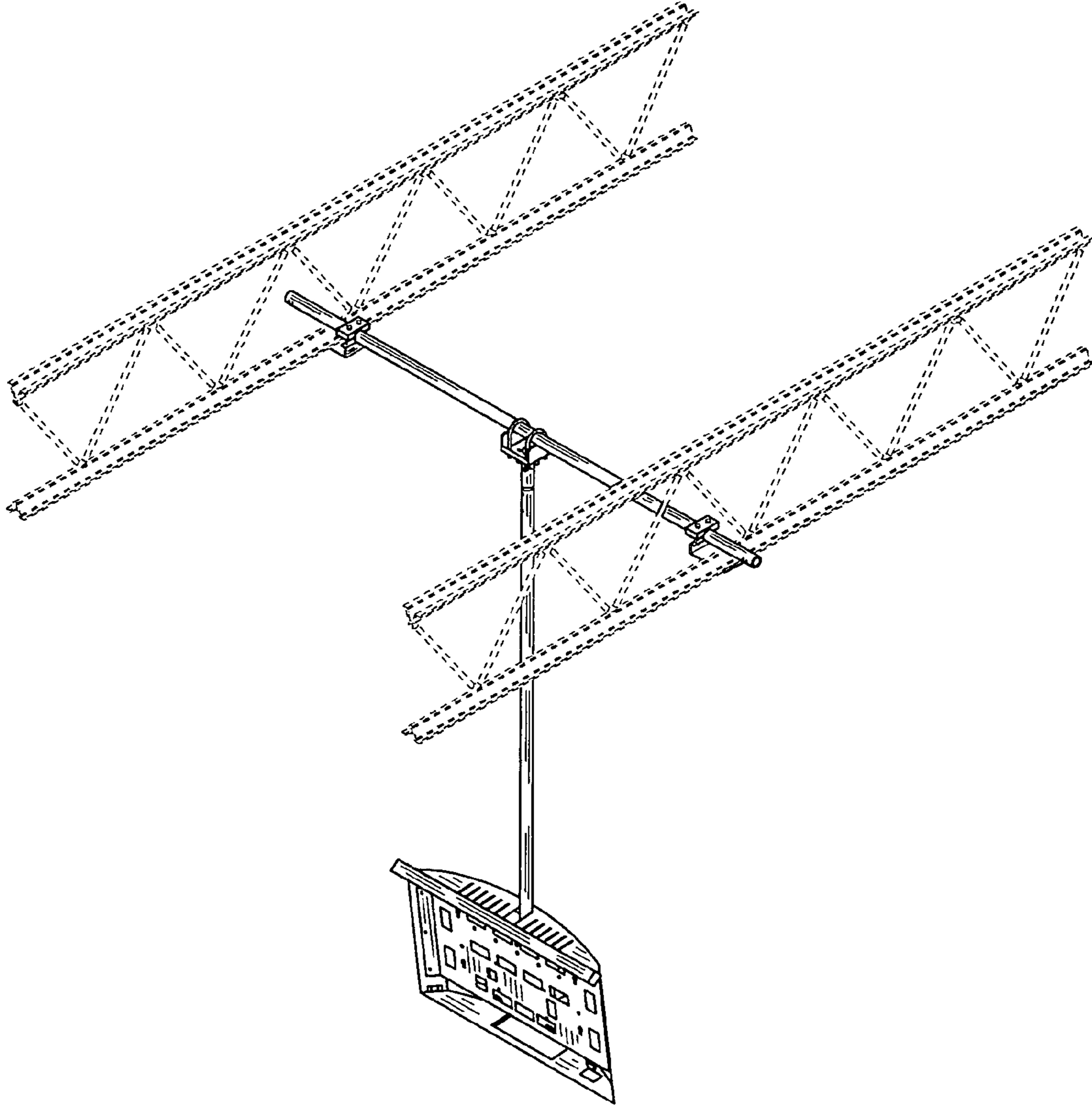


FIG. 1

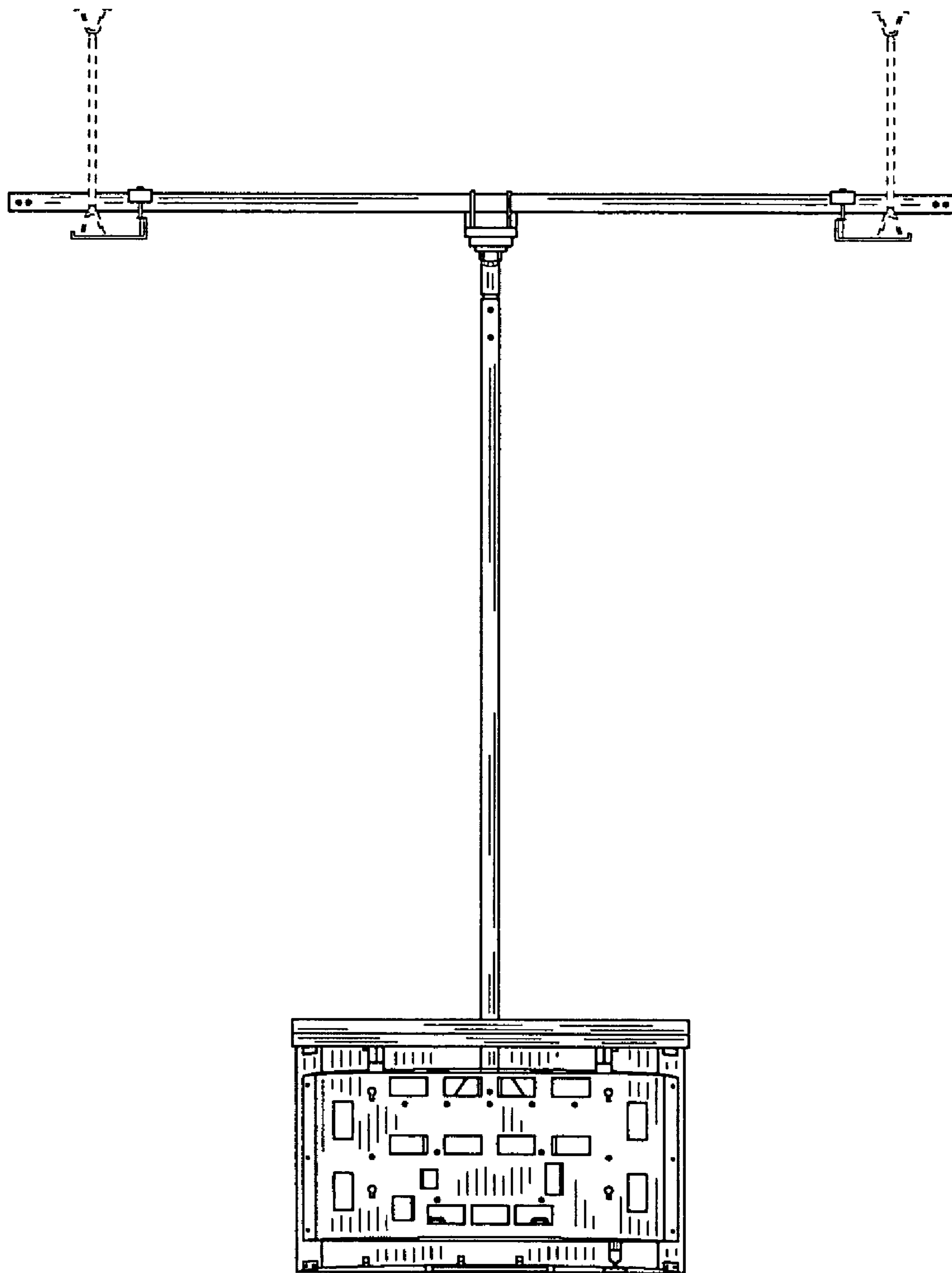


FIG. 2

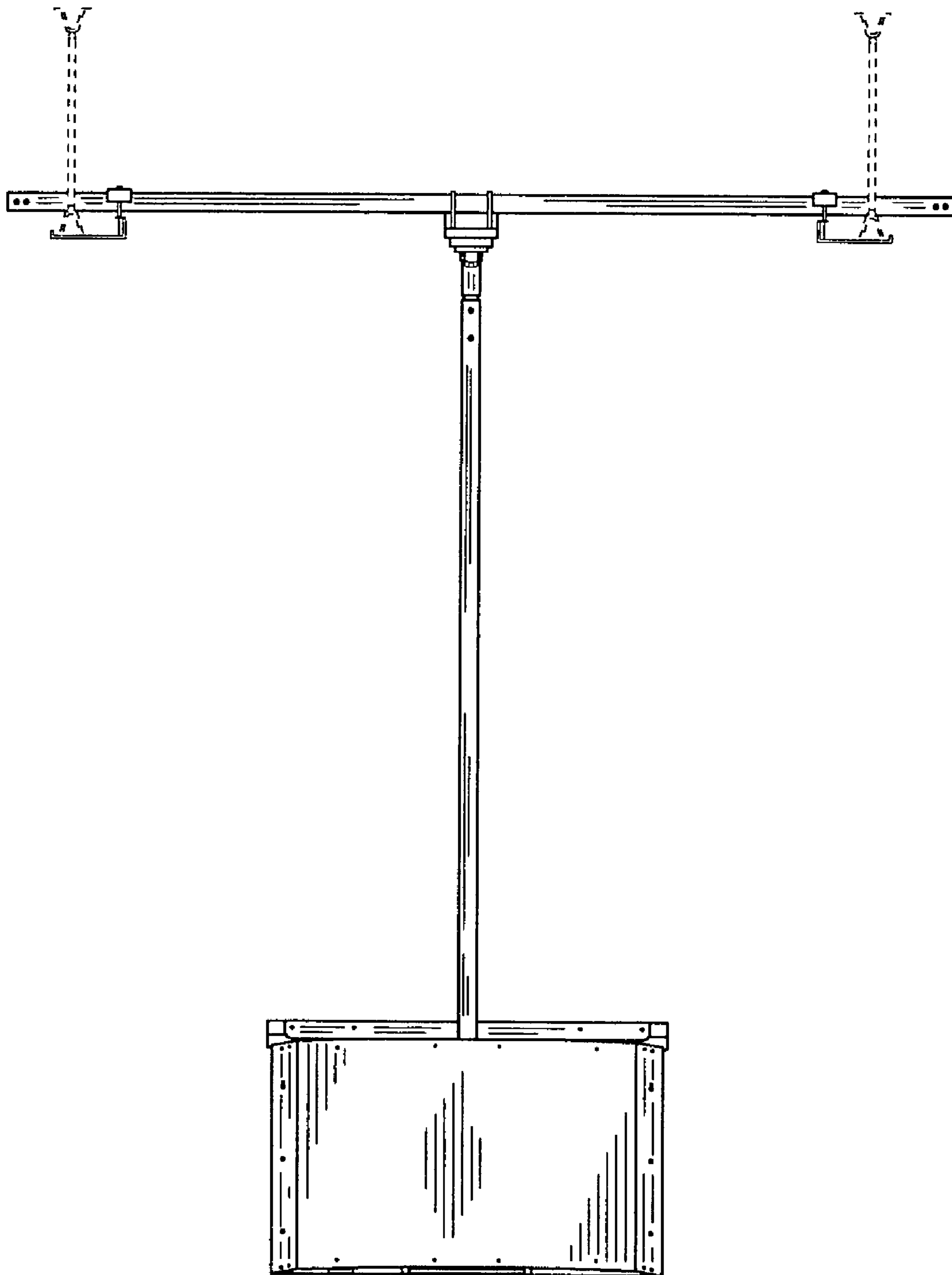


FIG. 3

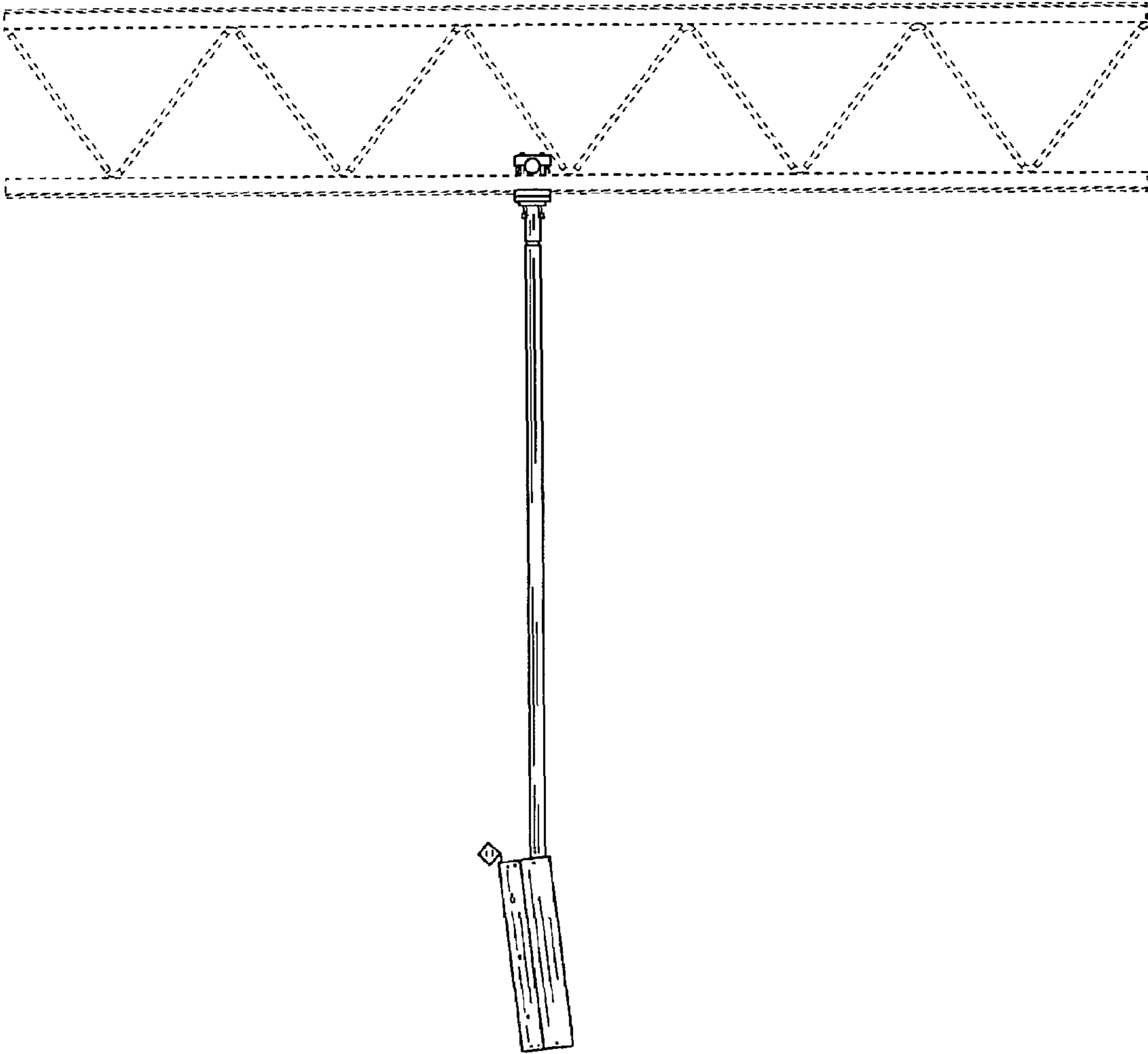


FIG. 4

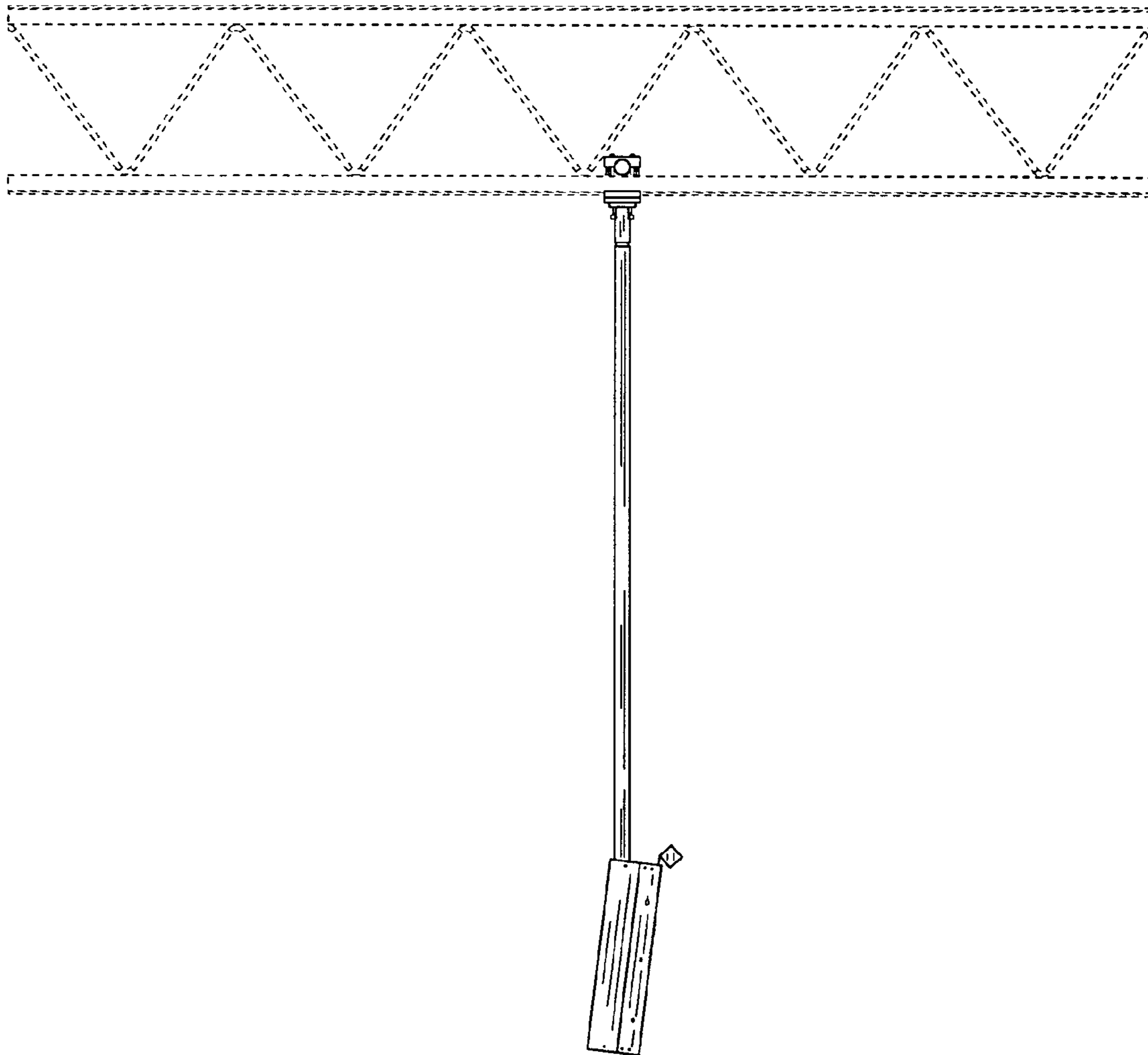


FIG. 5

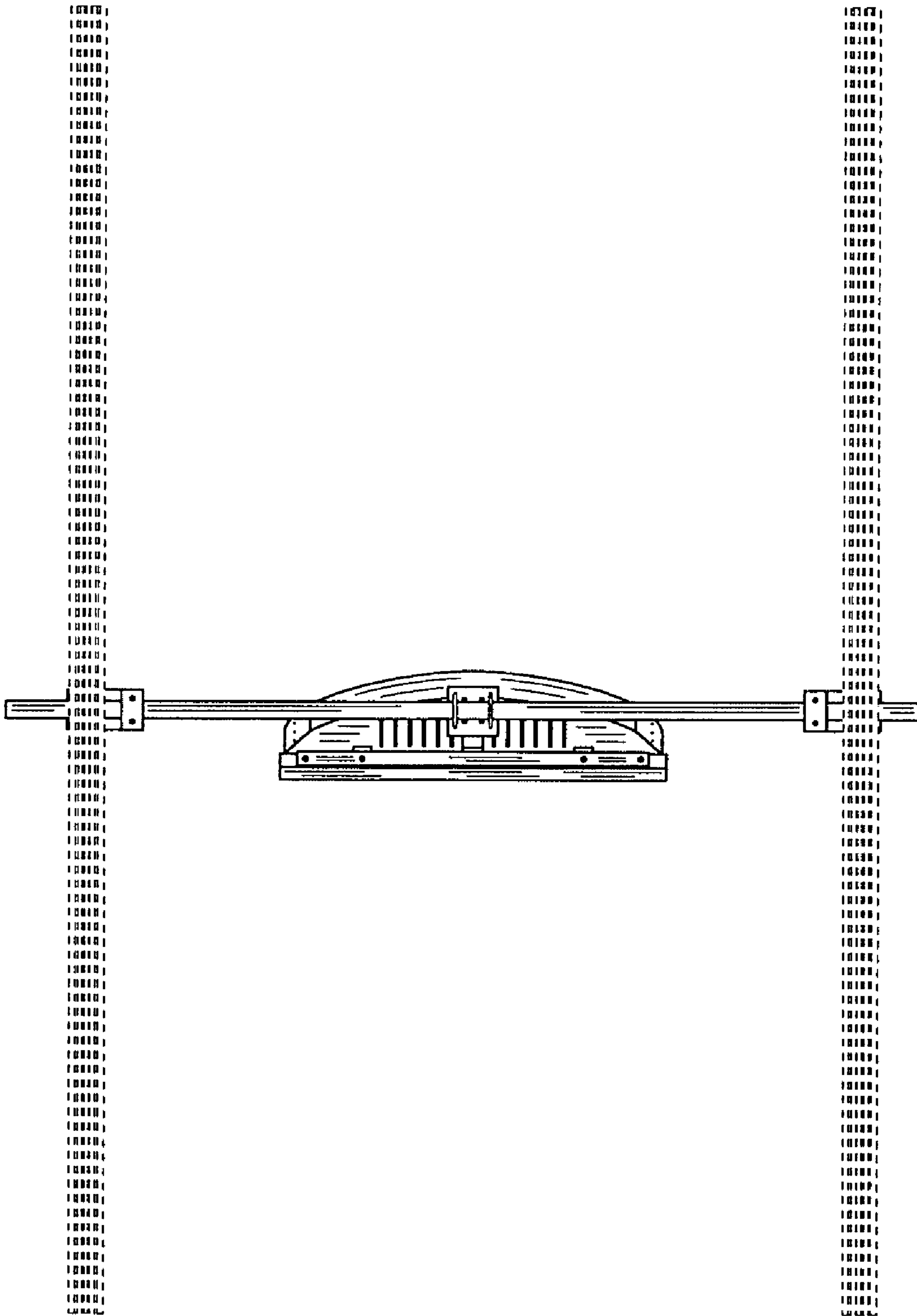


FIG. 6

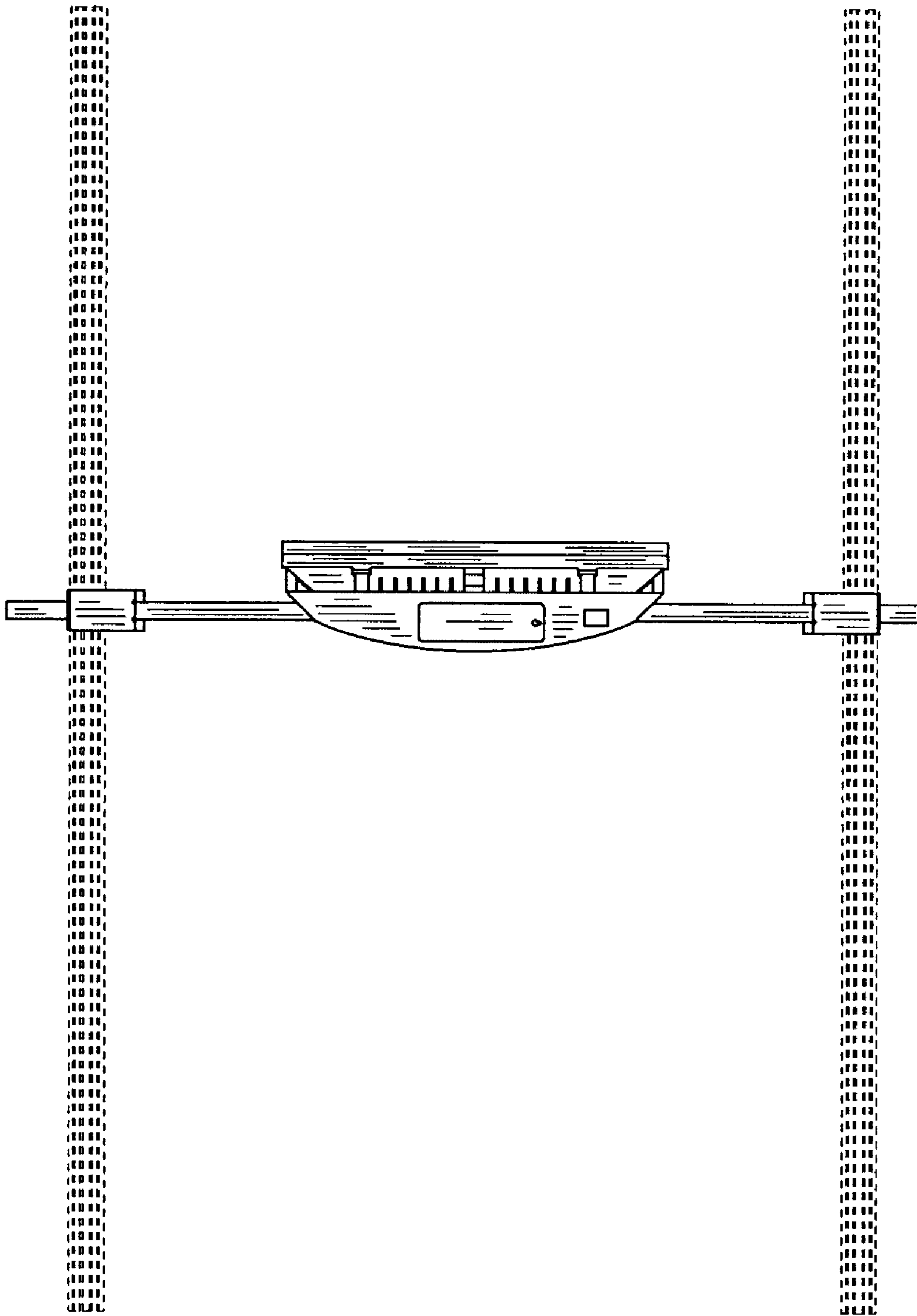


FIG. 7

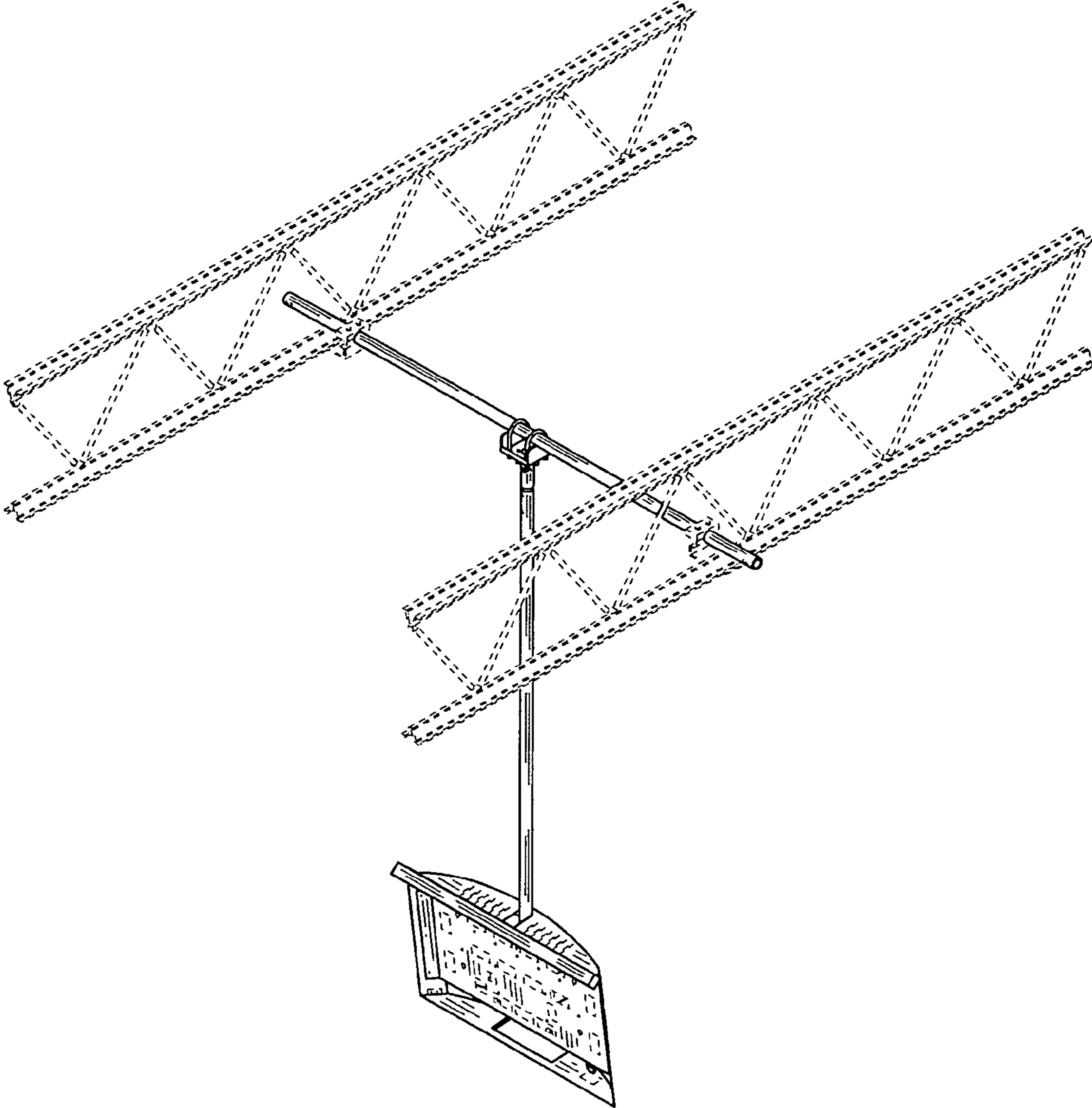


FIG. 8

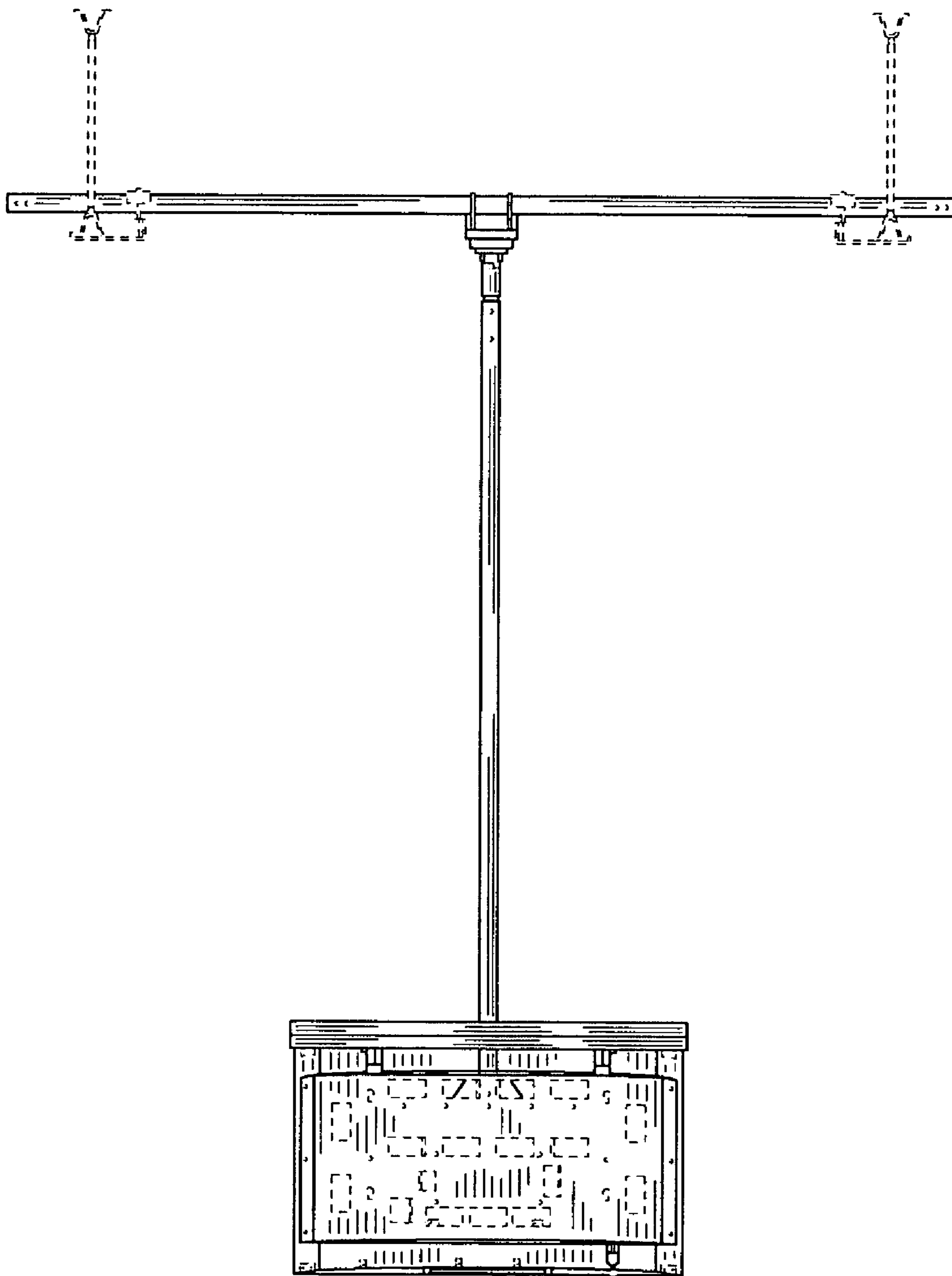


FIG. 9

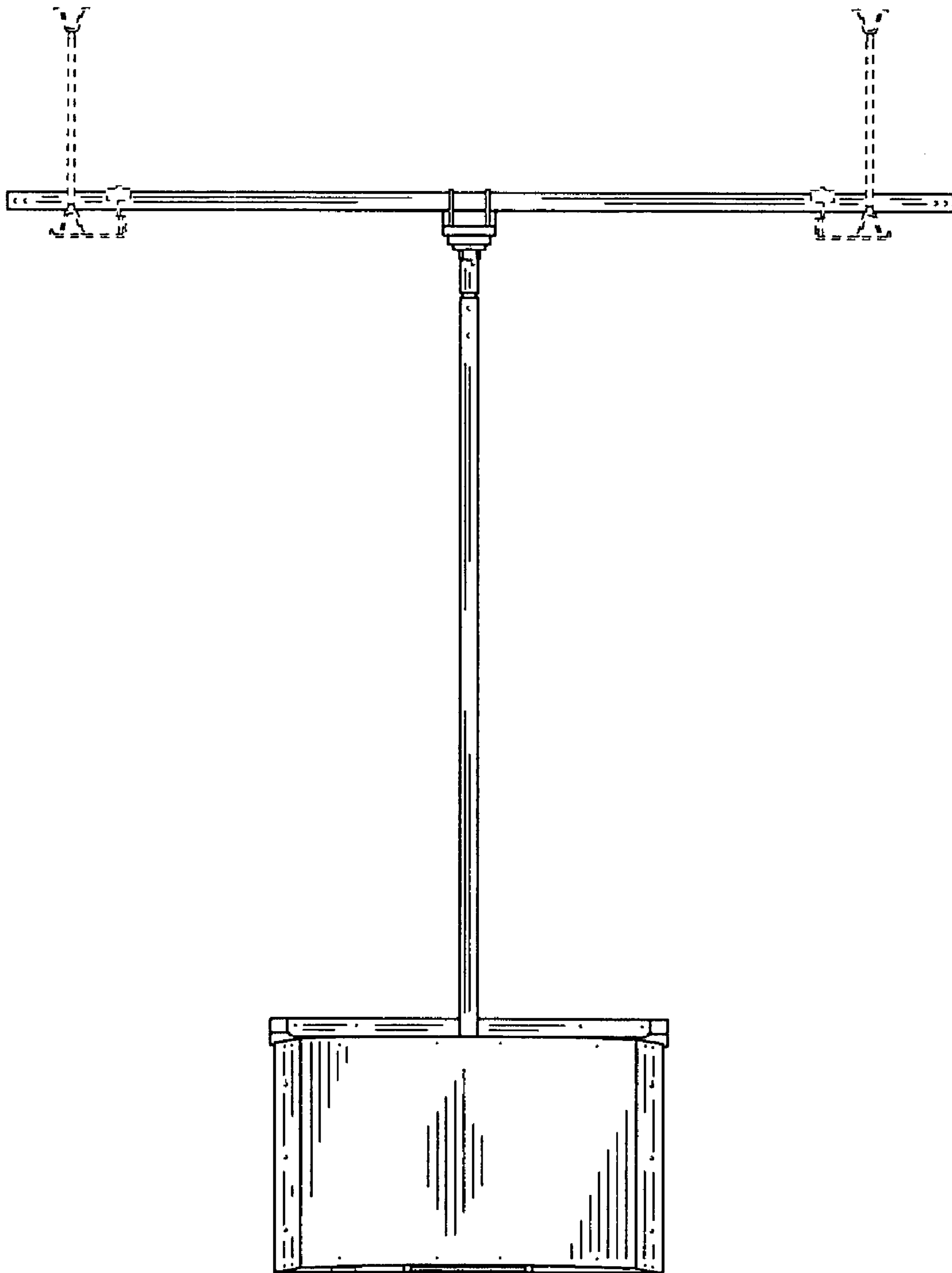


FIG. 10

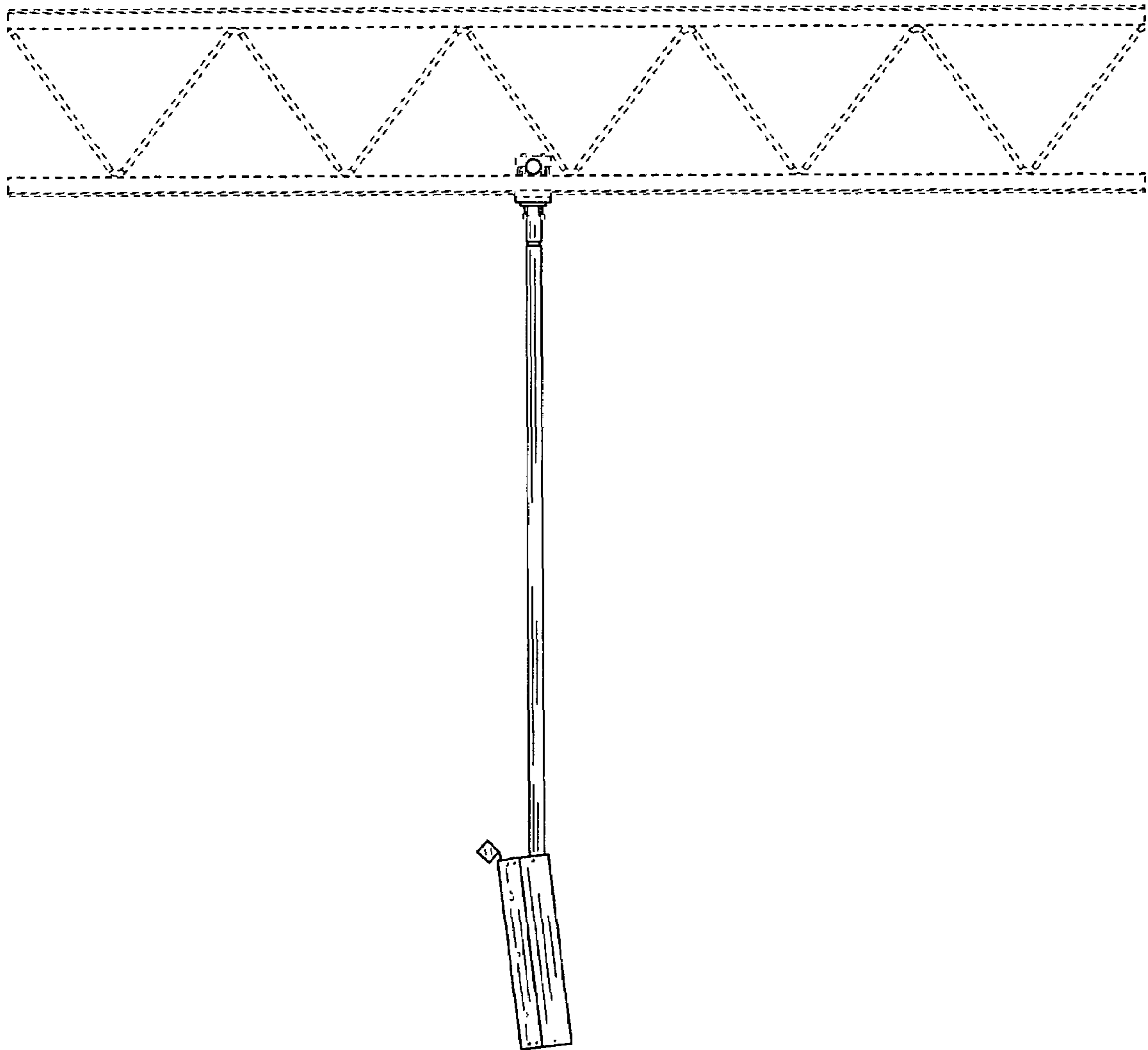


FIG. 11

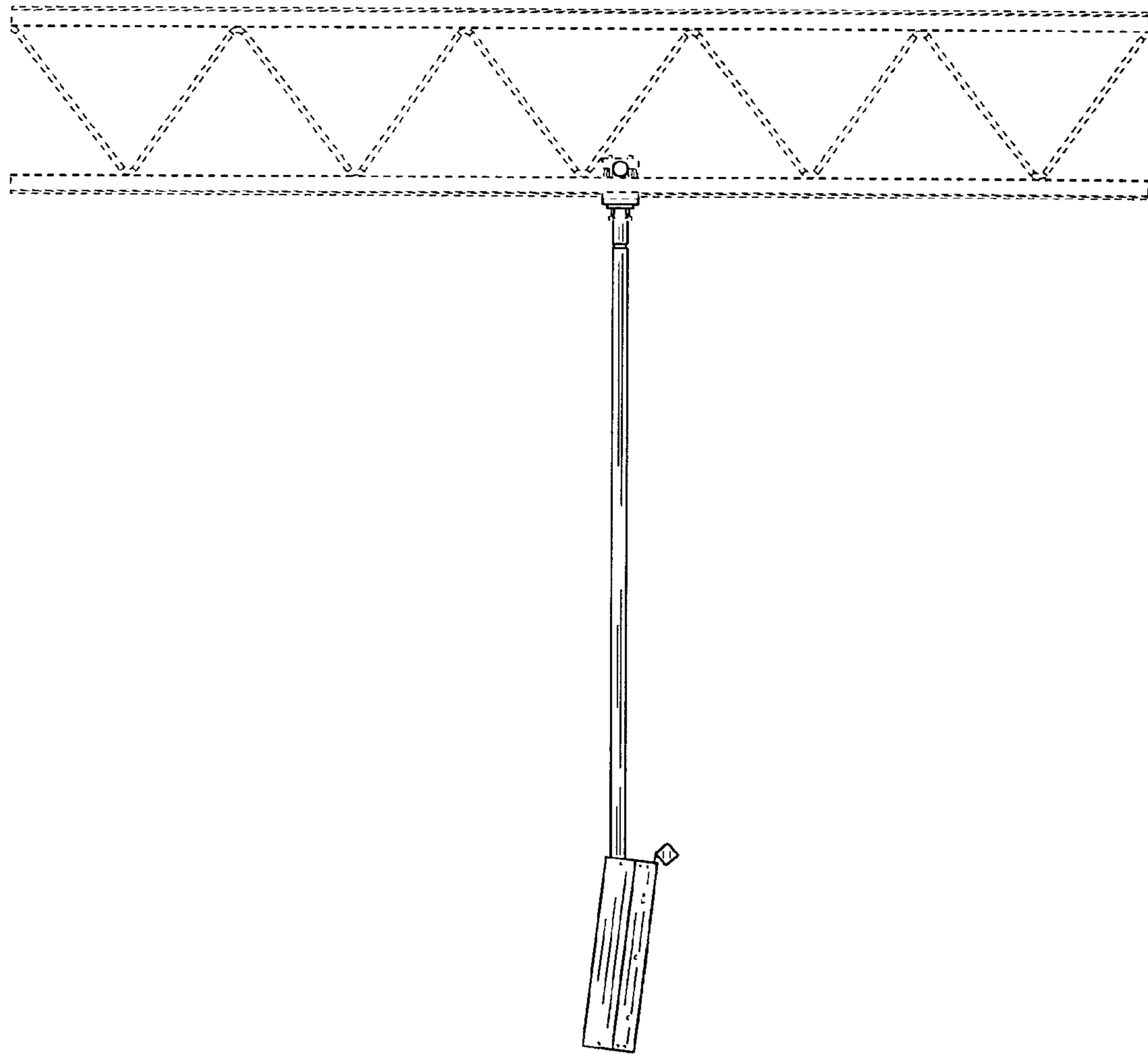


FIG. 12

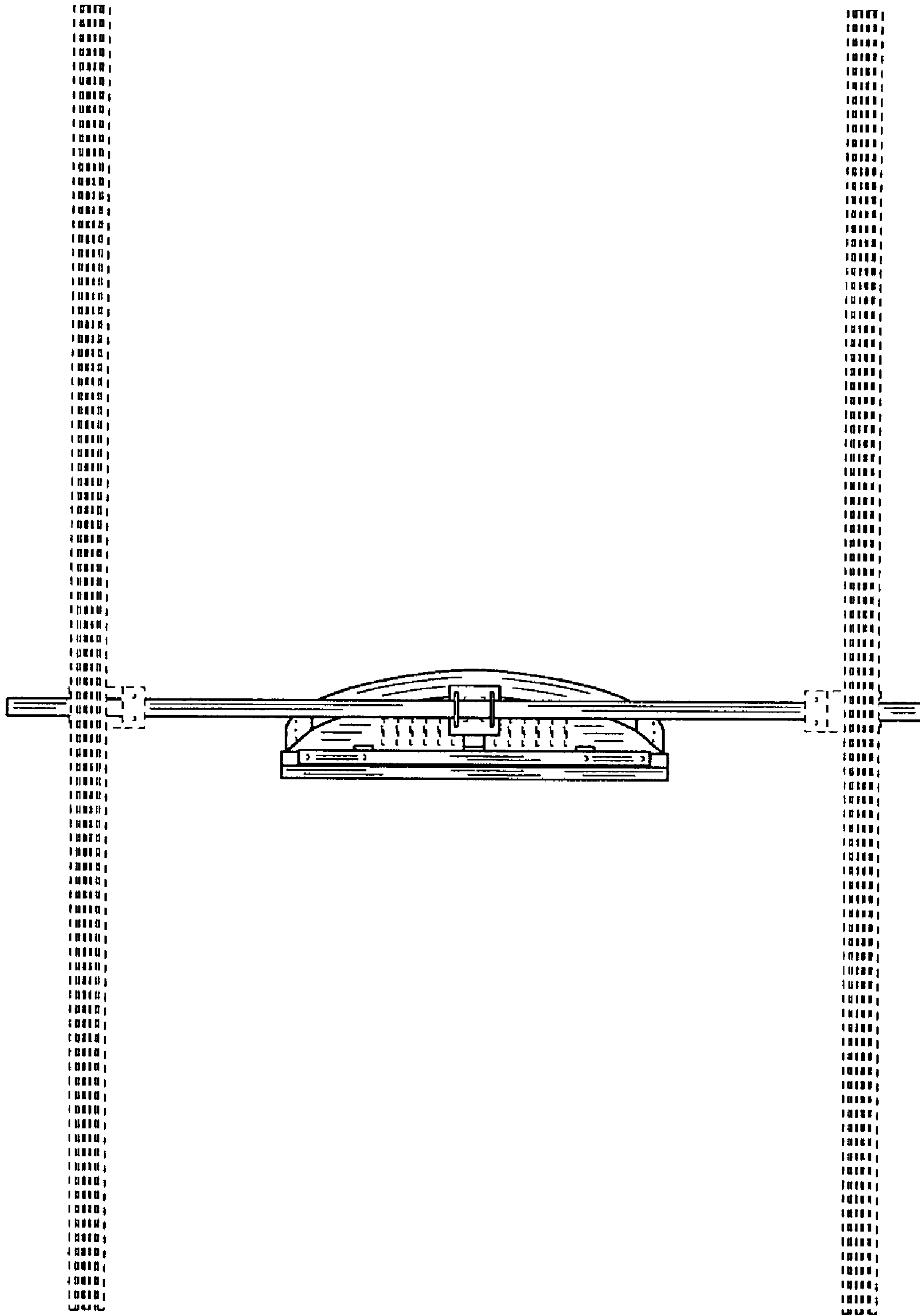


FIG. 13

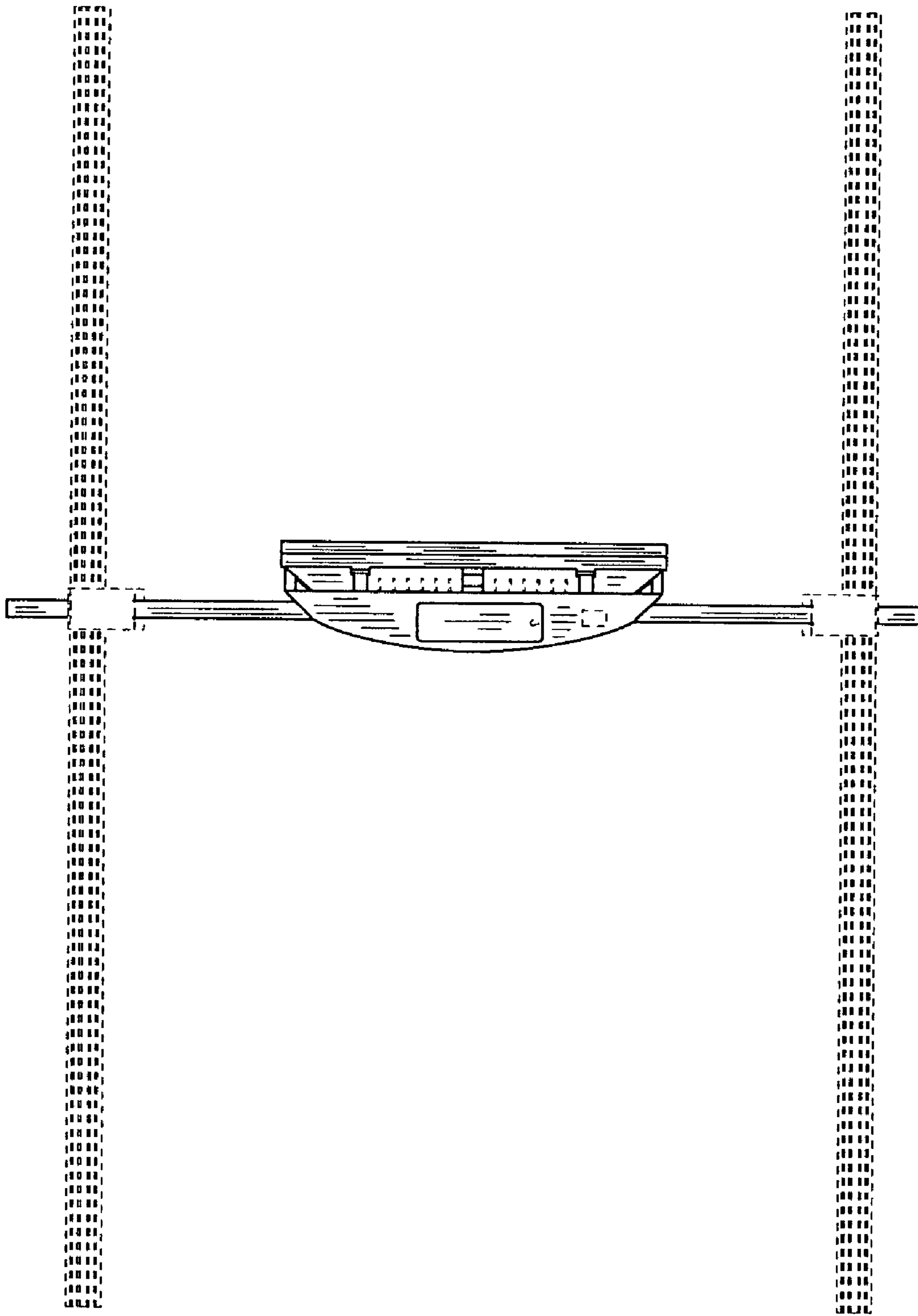


FIG. 14